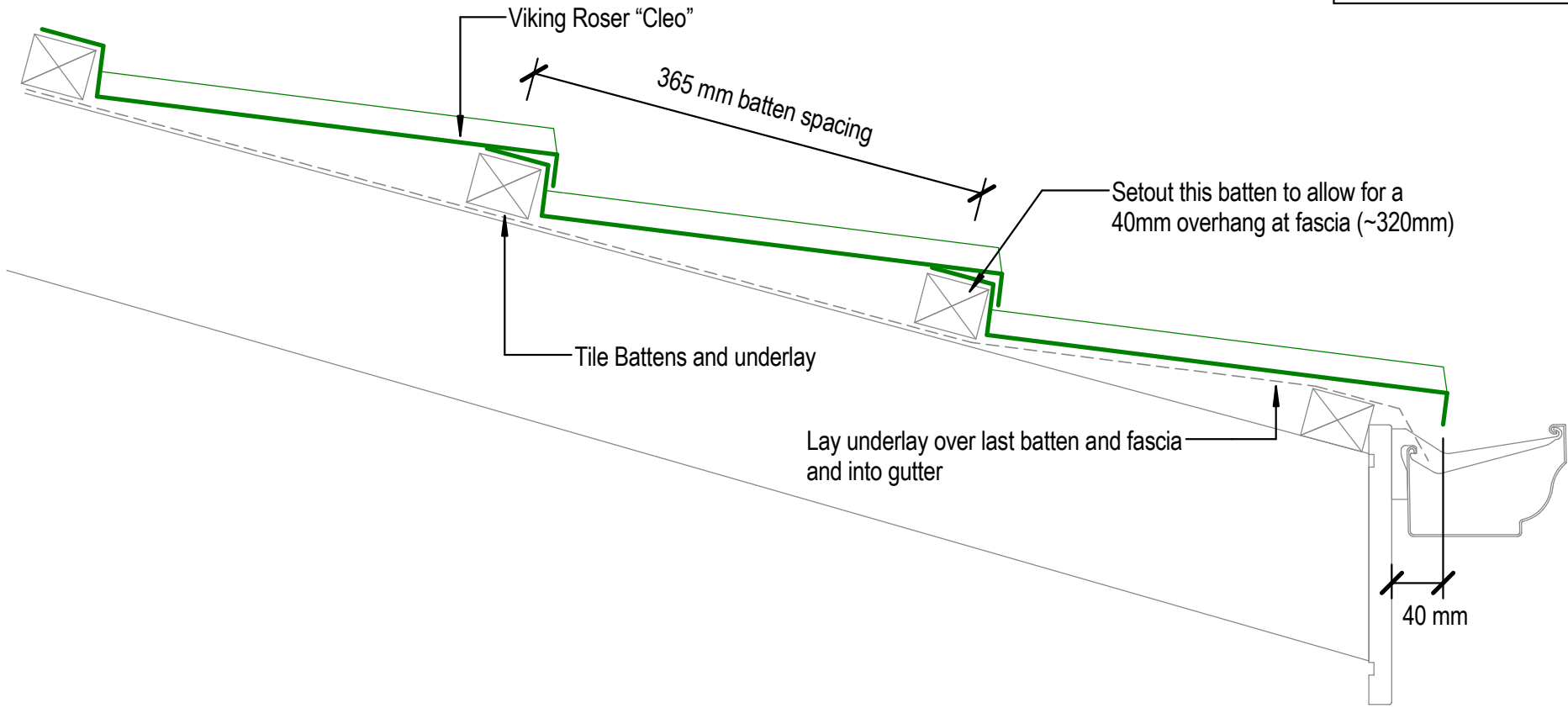


- Per NZS 3604 (Table 10.12). 50x40mm H1.2 battens for max. 900 support span; 50x50mm for max. 1200mm support span.
- Use specified fixings for wind zone to comply with NZS 3604. (Refer to Roser Masterspec specification for details.)



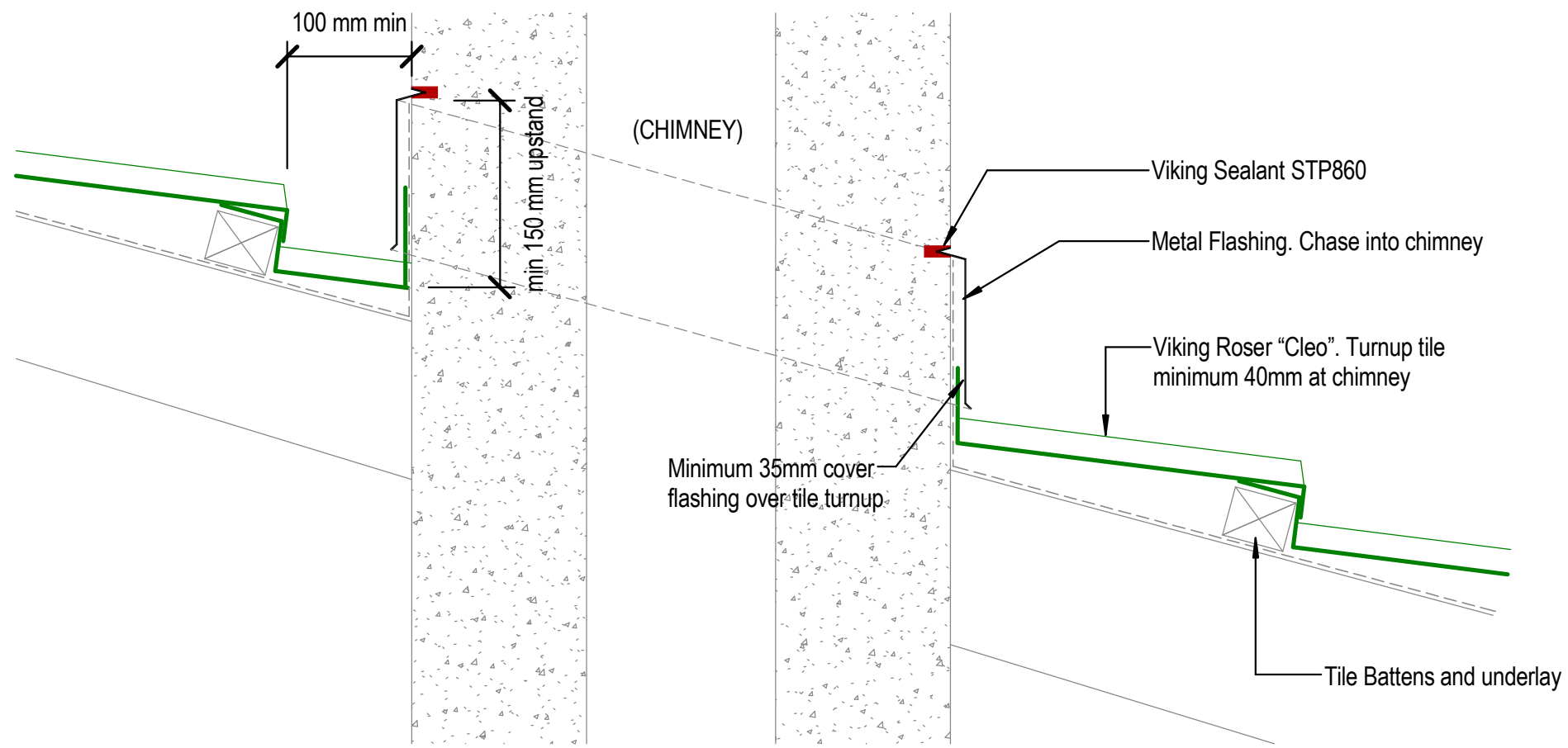
DRAWING TITLE
Roser Metal Roofing - Cleo Gutter and Batten Spacing

NOTES:

- All fixings, cladding and structure are indicative only unless notated.
- Compliance of the supporting elements is the responsibility of the designer/ documenter.

DRAWING STATUS			
INFORMATION ONLY			
Not to Scale	Date	Detail Ref:	Issue
	22.02.16	VRC01	A
Drawn	Viking		

- Per NZS 3604 (Table 10.12). 50x40mm H1.2 battens for max. 900 support span; 50x50mm for max. 1200mm support span.
- Use specified fixings for wind zone to comply with NZS 3604. (Refer to Roser Masterspec specification for details.)

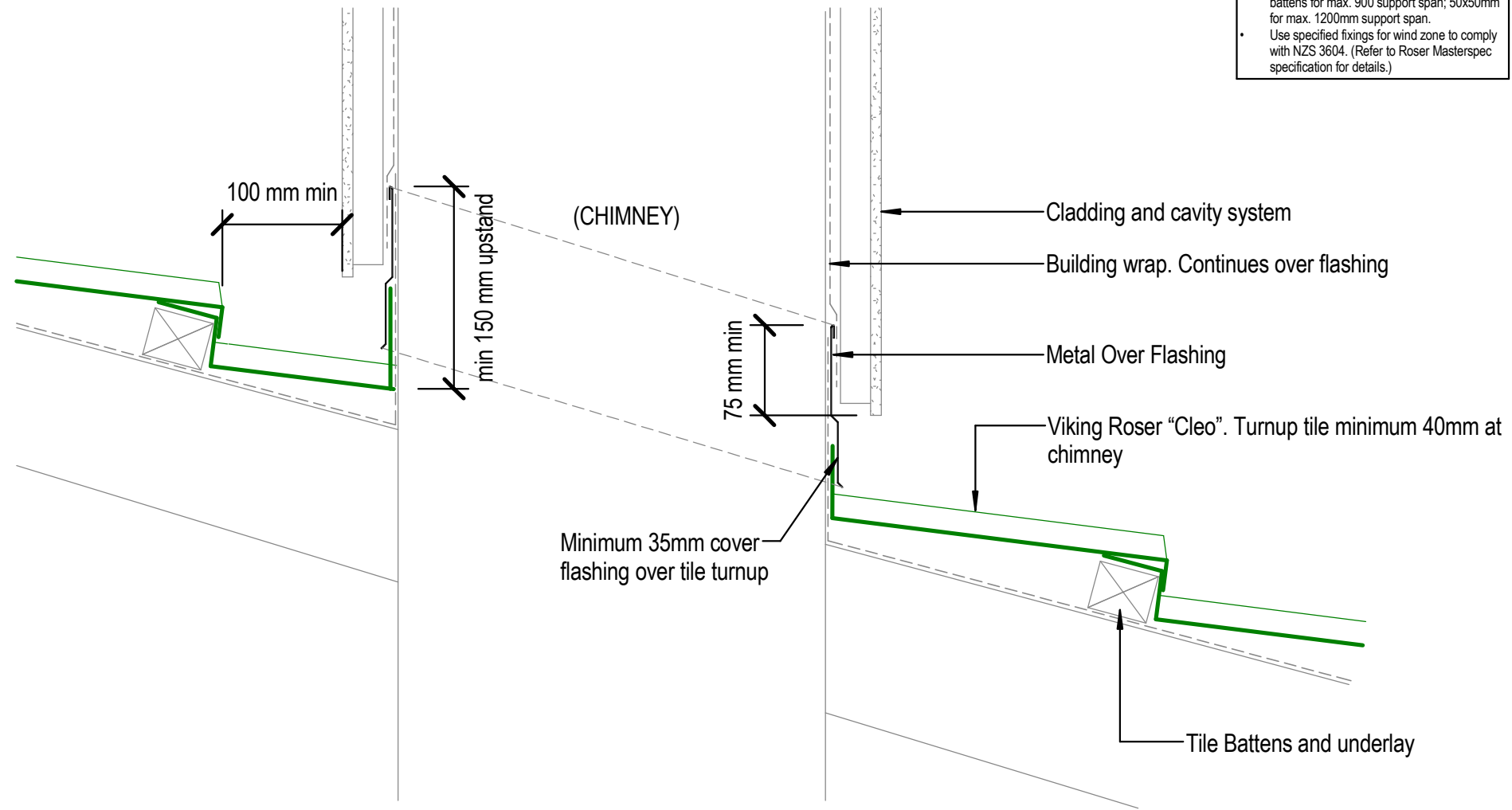


DRAWING TITLE	
Roser Metal Roofing - Cleo Chimney Flashing with Chase	

NOTES:
<ul style="list-style-type: none"> <li>• All fixings, cladding and structure are indicative only unless notated.</li> <li>• Compliance of the supporting elements is the responsibility of the designer/ documenter.</li> </ul>

DRAWING STATUS			
<b>INFORMATION ONLY</b>			
Not to Scale	Date	Detail Ref:	Issue
	22.02.16	VRC02	A
Drawn	Viking		

- Per NZS 3604 (Table 10.12). 50x40mm H1.2 battens for max. 900 support span; 50x50mm for max. 1200mm support span.
- Use specified fixings for wind zone to comply with NZS 3604. (Refer to Roser Masterspec specification for details.)

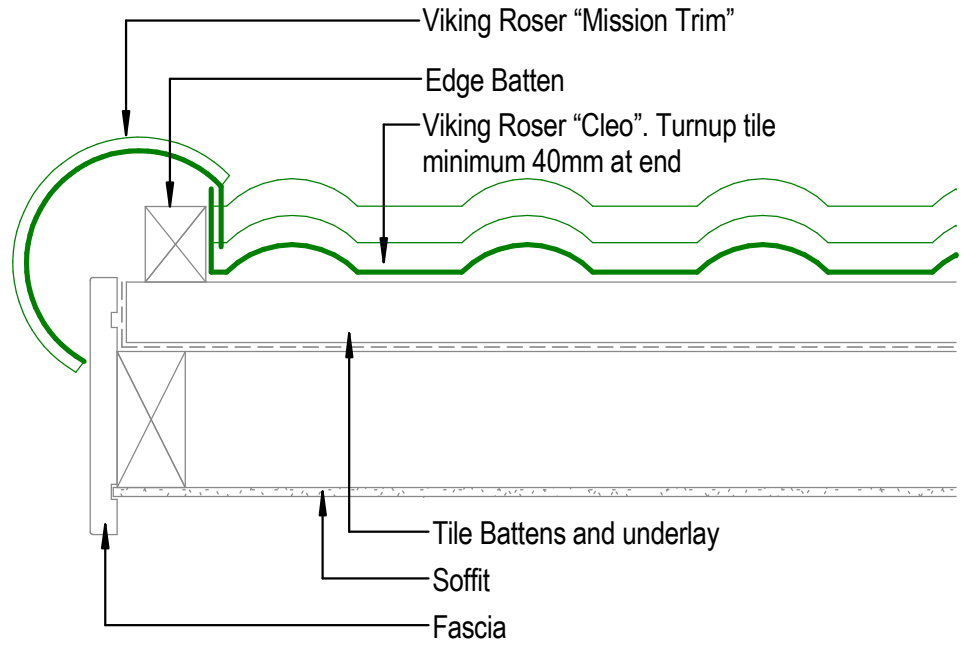


DRAWING TITLE	
Roser Metal Roofing - Cleo Chimney Flashing with Cladding	

NOTES:
<ul style="list-style-type: none"> <li>• All fixings, cladding and structure are indicative only unless notated.</li> <li>• Compliance of the supporting elements is the responsibility of the designer/ documenter.</li> </ul>

DRAWING STATUS			
INFORMATION ONLY			
Not to Scale	Date	Detail Ref:	Issue
	22.02.16	VRC03	A
Drawn	Viking		

- Per NZS 3604 (Table 10.12). 50x40mm H1.2 battens for max. 900 support span; 50x50mm for max. 1200mm support span.
- Use specified fixings for wind zone to comply with NZS 3604. (Refer to Roser Masterspec specification for details.)



DRAWING TITLE

Roser Metal Roofing - Cleo  
Barge Edge - Barrel Trim

NOTES:

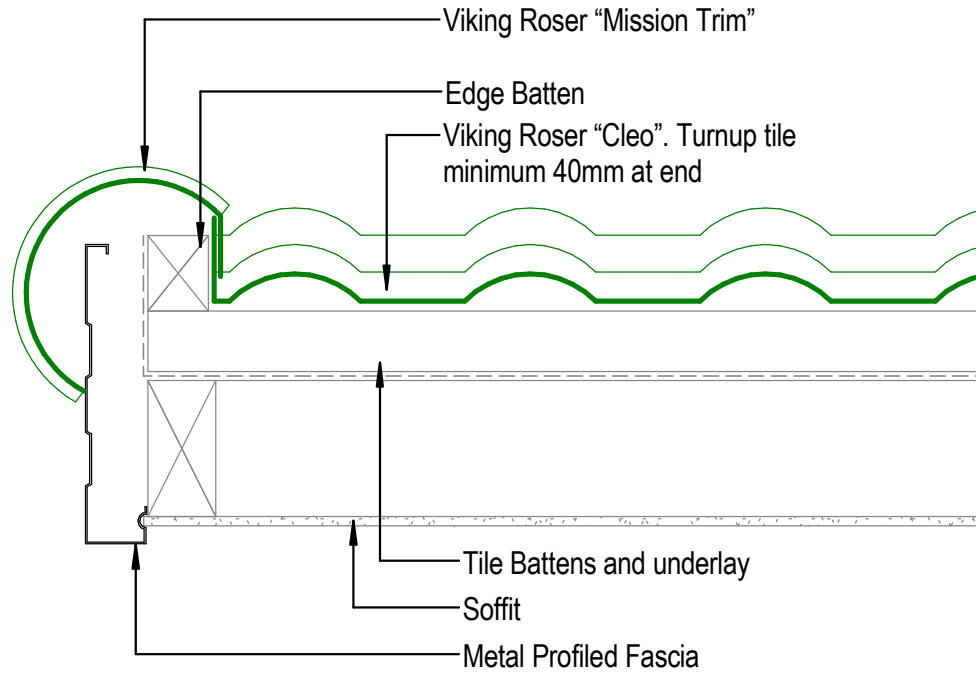
- All fixings, cladding and structure are indicative only unless notated.
- Compliance of the supporting elements is the responsibility of the designer/ documenter.

DRAWING STATUS

INFORMATION ONLY

Not to Scale	Date	Detail Ref:	Issue
	22.02.16		
Drawn	Viking	VRC04	A

- Per NZS 3604 (Table 10.12). 50x40mm H1.2 battens for max. 900 support span; 50x50mm for max. 1200mm support span.
- Use specified fixings for wind zone to comply with NZS 3604. (Refer to Roser Masterspec specification for details.)



DRAWING TITLE

Roser Metal Roofing - Cleo  
Metal Fascia - Barrel Trim

NOTES:

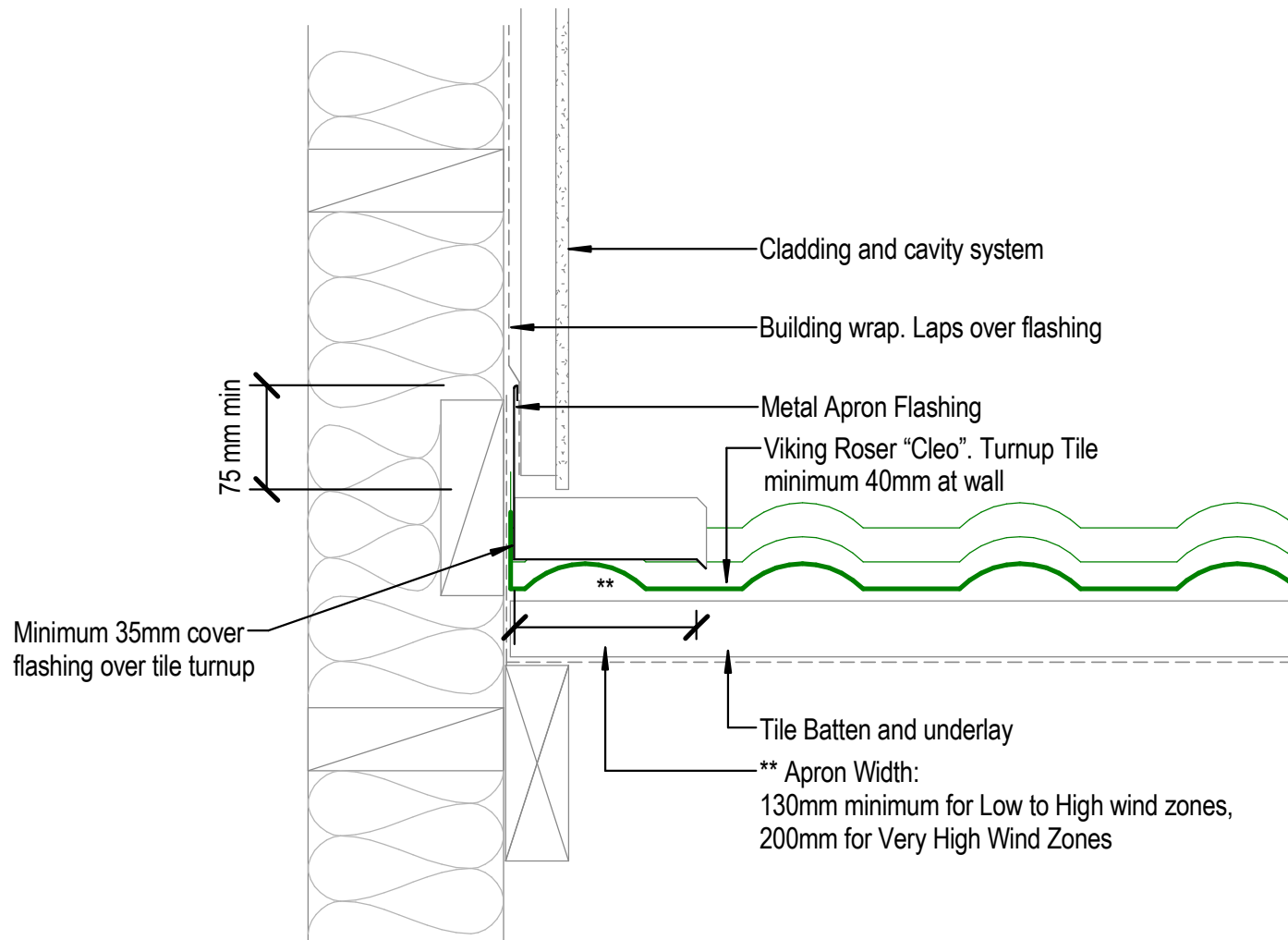
- All fixings, cladding and structure are indicative only unless notated.
- Compliance of the supporting elements is the responsibility of the designer/ documenter.

DRAWING STATUS

INFORMATION ONLY

Not to Scale	Date	Detail Ref:	Issue
	22.02.16		
Drawn	Viking	VRC05	A

- Per NZS 3604 (Table 10.12). 50x40mm H1.2 battens for max. 900 support span; 50x50mm for max. 1200mm support span.
- Use specified fixings for wind zone to comply with NZS 3604. (Refer to Roser Masterspec specification for details.)

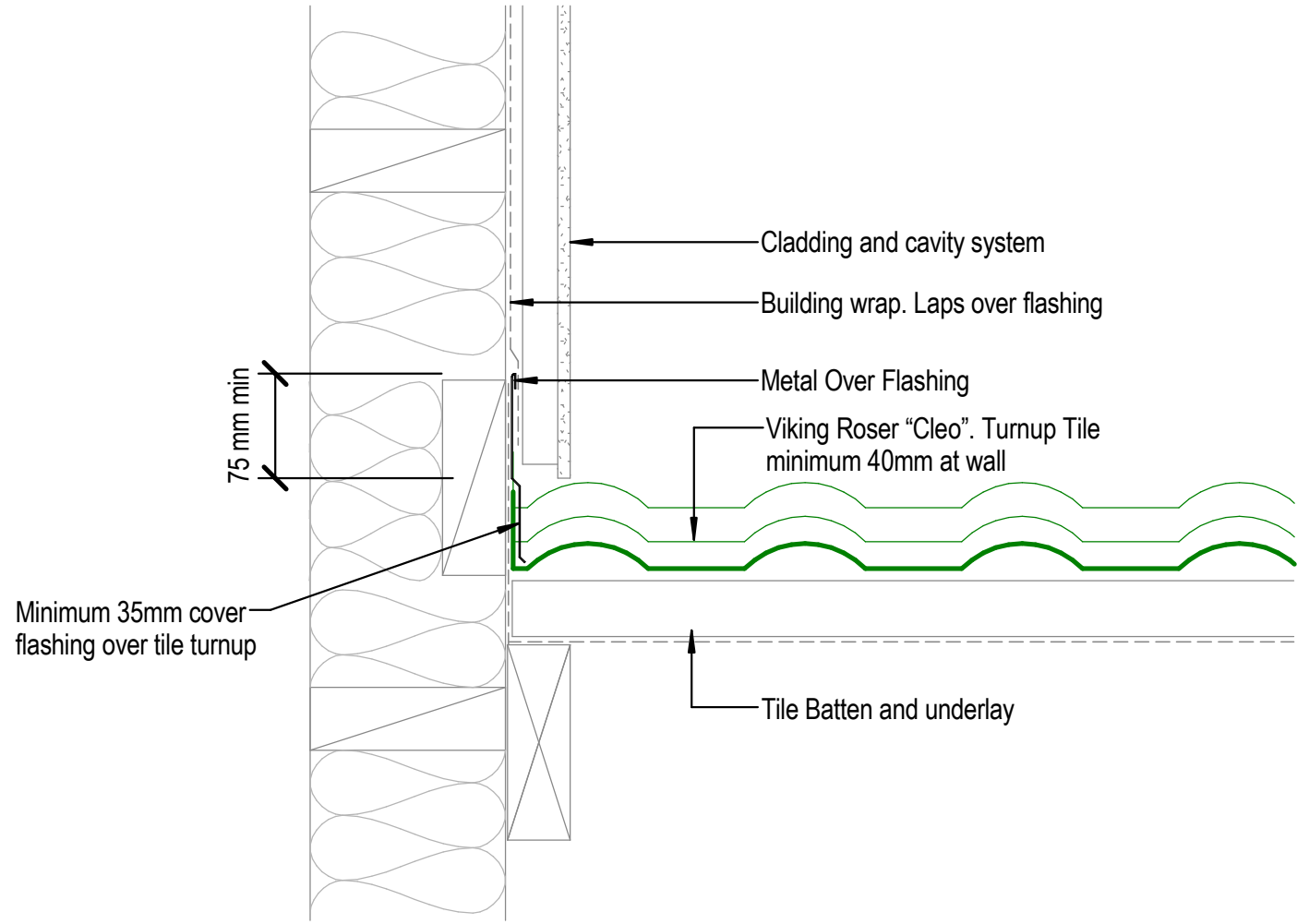


DRAWING TITLE	
Roser Metal Roofing - Cleo Apron Flashing to Side Wall	

NOTES:
<ul style="list-style-type: none"> <li>• All fixings, cladding and structure are indicative only unless notated.</li> <li>• Compliance of the supporting elements is the responsibility of the designer/ documenter.</li> </ul>

DRAWING STATUS			
INFORMATION ONLY			
Not to Scale	Date	Detail Ref:	Issue
	22.02.16	VRC06	A
Drawn	Viking		

- Per NZS 3604 (Table 10.12). 50x40mm H1.2 battens for max. 900 support span; 50x50mm for max. 1200mm support span.
- Use specified fixings for wind zone to comply with NZS 3604. (Refer to Roser Masterspec specification for details.)

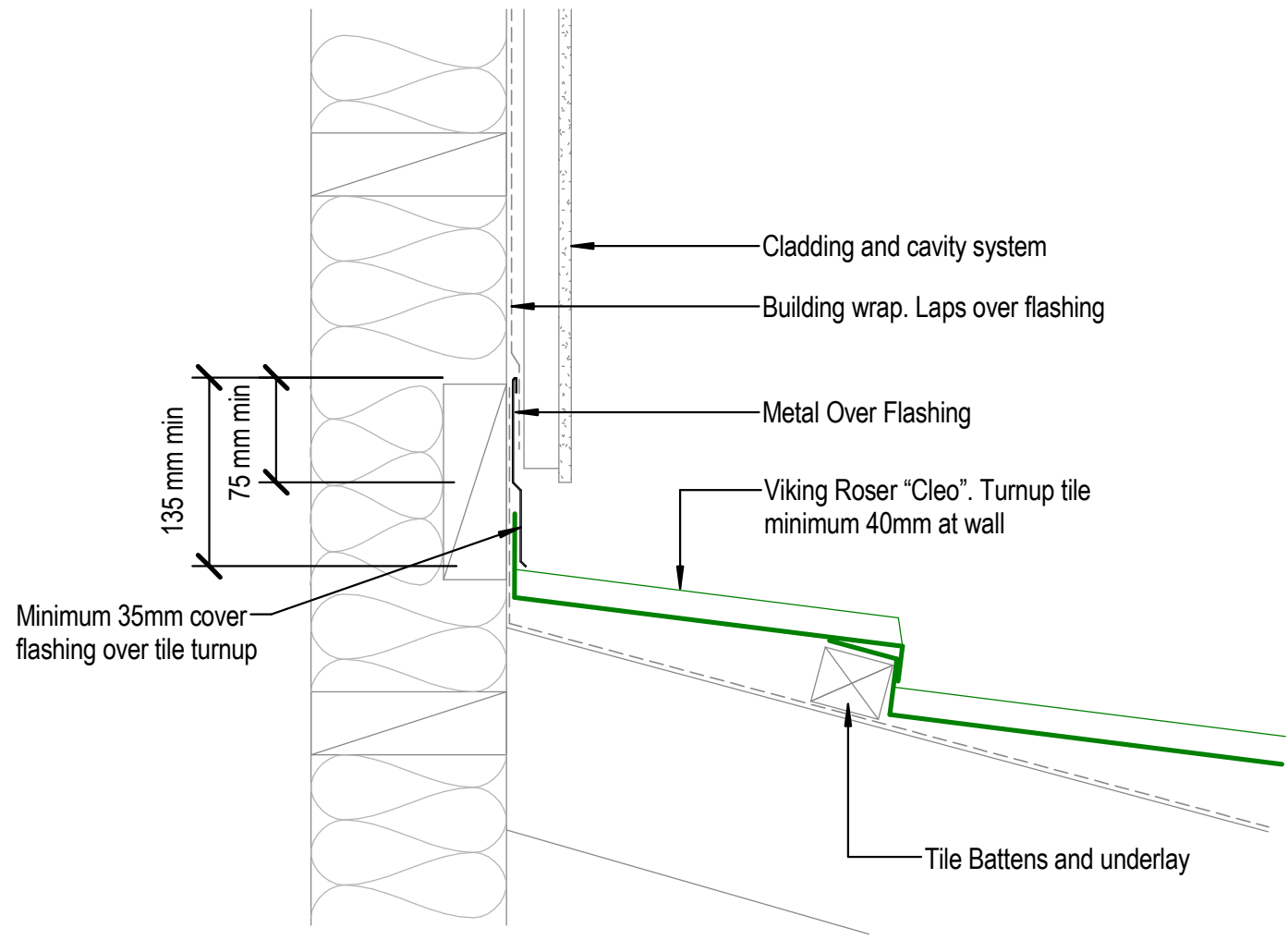


DRAWING TITLE
Roser Metal Roofing - Cleo Standard Flashing to Side Wall

NOTES:
<ul style="list-style-type: none"> <li>• All fixings, cladding and structure are indicative only unless notated.</li> <li>• Compliance of the supporting elements is the responsibility of the designer/ documenter.</li> </ul>

DRAWING STATUS			
INFORMATION ONLY			
Not to Scale	Date	Detail Ref:	Issue
	22.02.16	VRC07	A
Drawn	Viking		

- Per NZS 3604 (Table 10.12). 50x40mm H1.2 battens for max. 900 support span; 50x50mm for max. 1200mm support span.
- Use specified fixings for wind zone to comply with NZS 3604. (Refer to Roser Masterspec specification for details.)



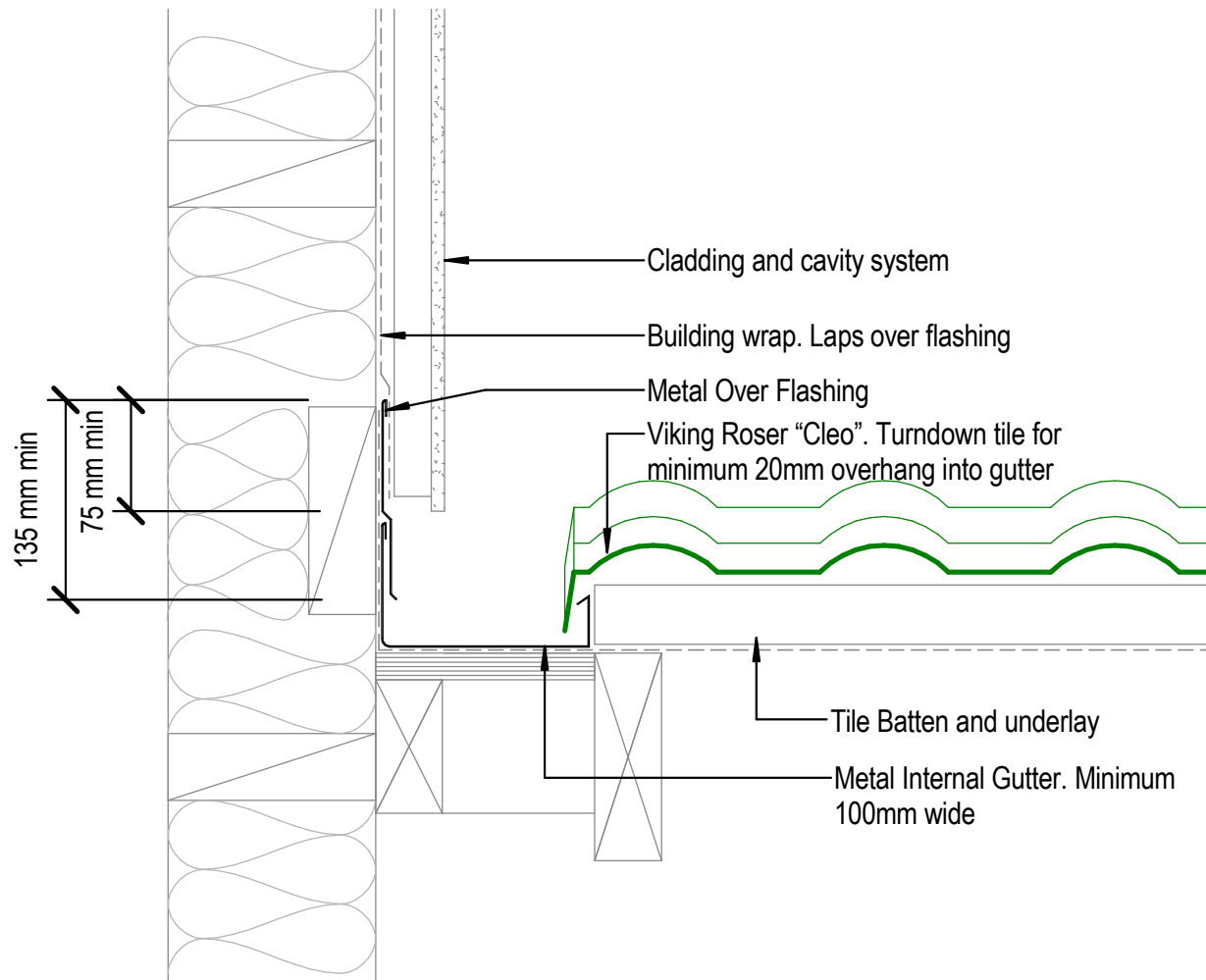
DRAWING TITLE
Roser Metal Roofing - Cleo Head Flashing at Wall

NOTES:
<ul style="list-style-type: none"> <li>• All fixings, cladding and structure are indicative only unless notated.</li> <li>• Compliance of the supporting elements is the responsibility of the designer/ documenter.</li> </ul>

DRAWING STATUS			
INFORMATION ONLY			
Not to Scale	Date 22.02.16	Detail Ref:	Issue
Drawn Viking		VRC08	A



- Per NZS 3604 (Table 10.12). 50x40mm H1.2 battens for max. 900 support span; 50x50mm for max. 1200mm support span.
- Use specified fixings for wind zone to comply with NZS 3604. (Refer to Roser Masterspec specification for details.)



DRAWING TITLE

Roser Metal Roofing - Cleo  
Hidden Gutter

NOTES:

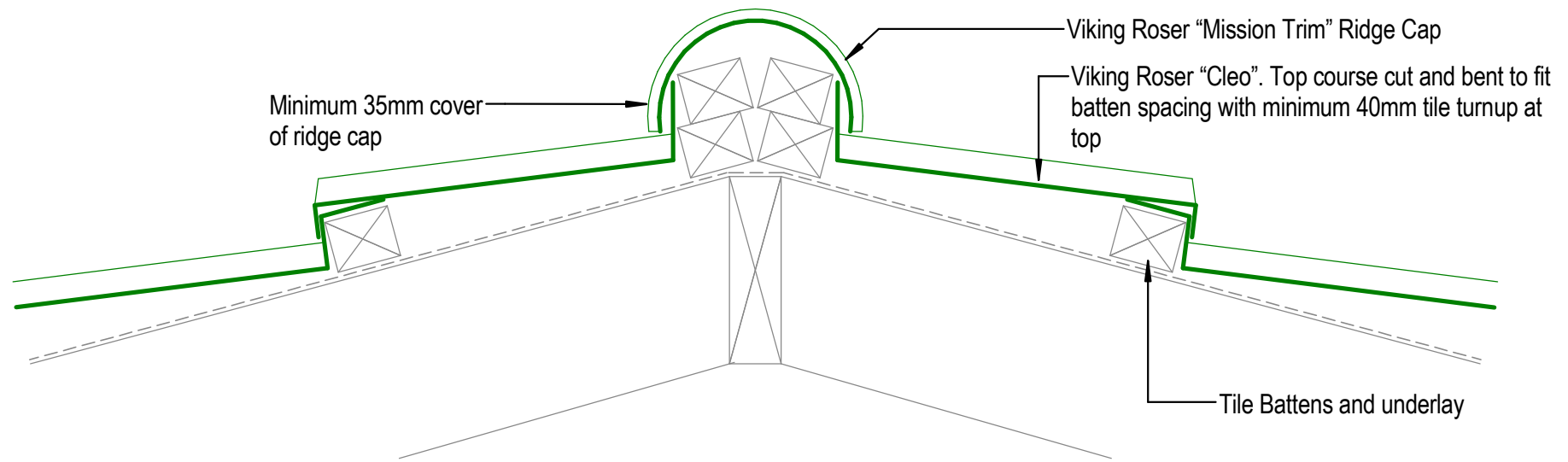
- All fixings, cladding and structure are indicative only unless notated.
- Compliance of the supporting elements is the responsibility of the designer/ documenter.

DRAWING STATUS

INFORMATION ONLY

Not to Scale	Date	Detail Ref:	Issue
	22.02.16		
Drawn	Viking	VRC09	A

- Per NZS 3604 (Table 10.12). 50x40mm H1.2 battens for max. 900 support span; 50x50mm for max. 1200mm support span.
- Use specified fixings for wind zone to comply with NZS 3604. (Refer to Roser Masterspec specification for details.)

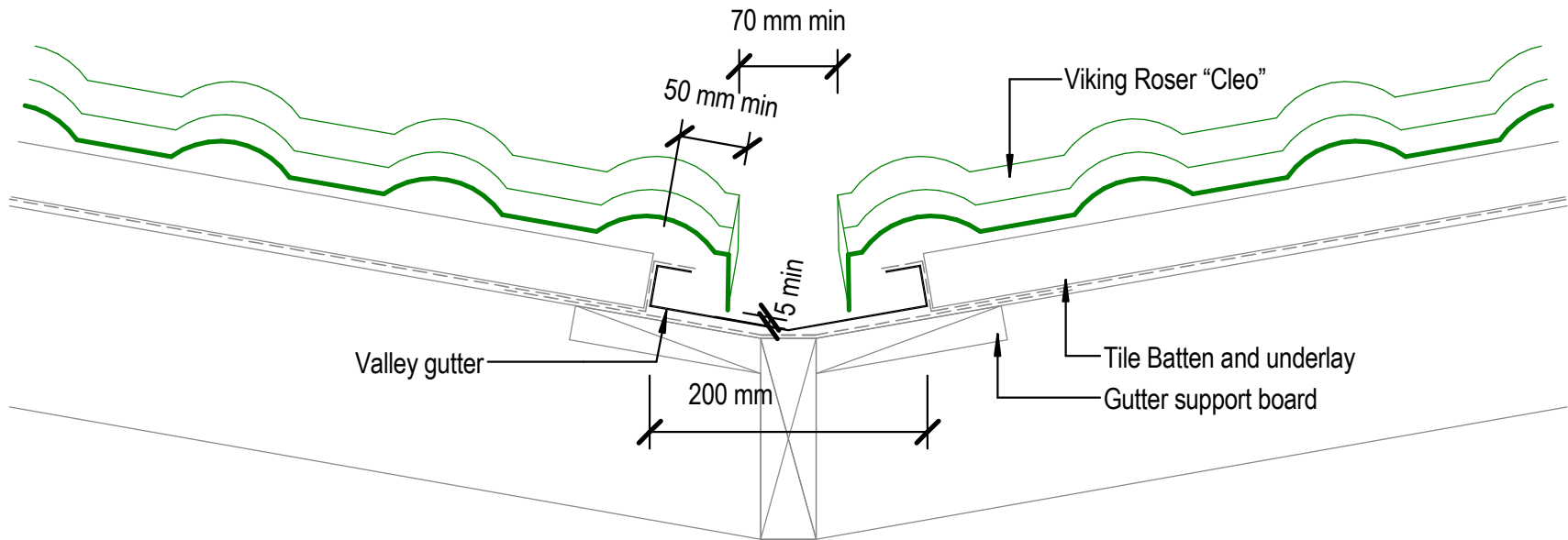


DRAWING TITLE
Roser Metal Roofing - Cleo Ridge Cap - Barrel

NOTES:
<ul style="list-style-type: none"> <li>• All fixings, cladding and structure are indicative only unless notated.</li> <li>• Compliance of the supporting elements is the responsibility of the designer/ documenter.</li> </ul>

DRAWING STATUS			
INFORMATION ONLY			
Not to Scale	Date	Detail Ref:	Issue
	22.02.16	VRC10	A
Drawn	Viking		

- Per NZS 3604 (Table 10.12). 50x40mm H1.2 battens for max. 900 support span; 50x50mm for max. 1200mm support span.
- Use specified fixings for wind zone to comply with NZS 3604. (Refer to Roser Masterspec specification for details.)



DRAWING TITLE
Roser Metal Roofing - Cleo Valley Gutter

NOTES:
<ul style="list-style-type: none"> <li>• All fixings, cladding and structure are indicative only unless notated.</li> <li>• Compliance of the supporting elements is the responsibility of the designer/ documenter.</li> </ul>

DRAWING STATUS			
INFORMATION ONLY			
Not to Scale	Date	Detail Ref:	Issue
	22.02.16	VRC11	A
Drawn	Viking		