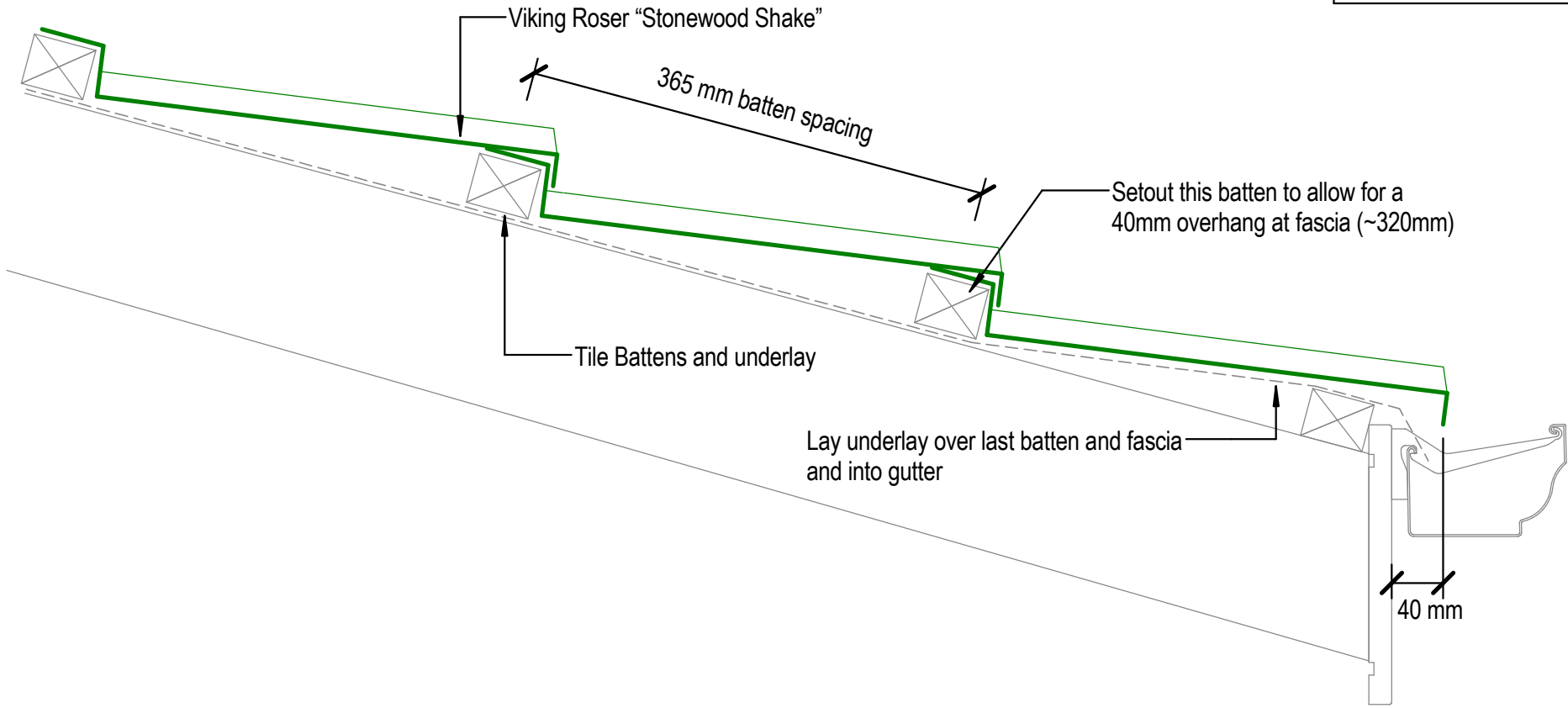


- Per NZS 3604 (Table 10.12). 50x40mm H1.2 battens for max. 900 support span; 50x50mm for max. 1200mm support span.
- Use specified fixings for wind zone to comply with NZS 3604. (Refer to Roser Masterspec specification for details.)



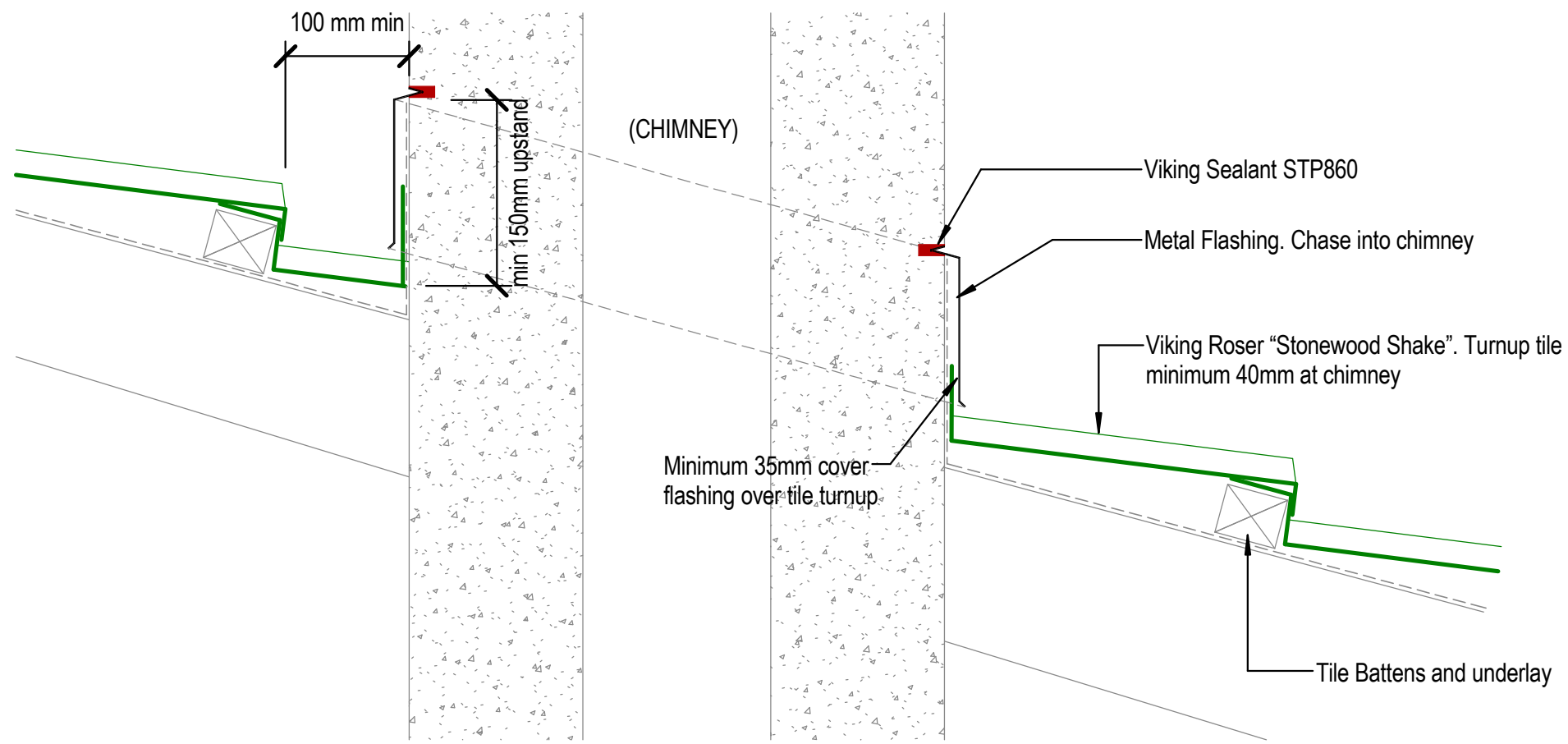
DRAWING TITLE
Roser Metal Roofing - Stonewood Shake Gutter and Batten Spacing

NOTES:

- All fixings, cladding and structure are indicative only unless notated.
- Compliance of the supporting elements is the responsibility of the designer/ documenter.

DRAWING STATUS			
INFORMATION ONLY			
Not to Scale	Date	Detail Ref:	Issue
	22.02.16	VRSS01	A
Drawn	Viking		

- Per NZS 3604 (Table 10.12). 50x40mm H1.2 battens for max. 900 support span; 50x50mm for max. 1200mm support span.
- Use specified fixings for wind zone to comply with NZS 3604. (Refer to Roser Masterspec specification for details.)

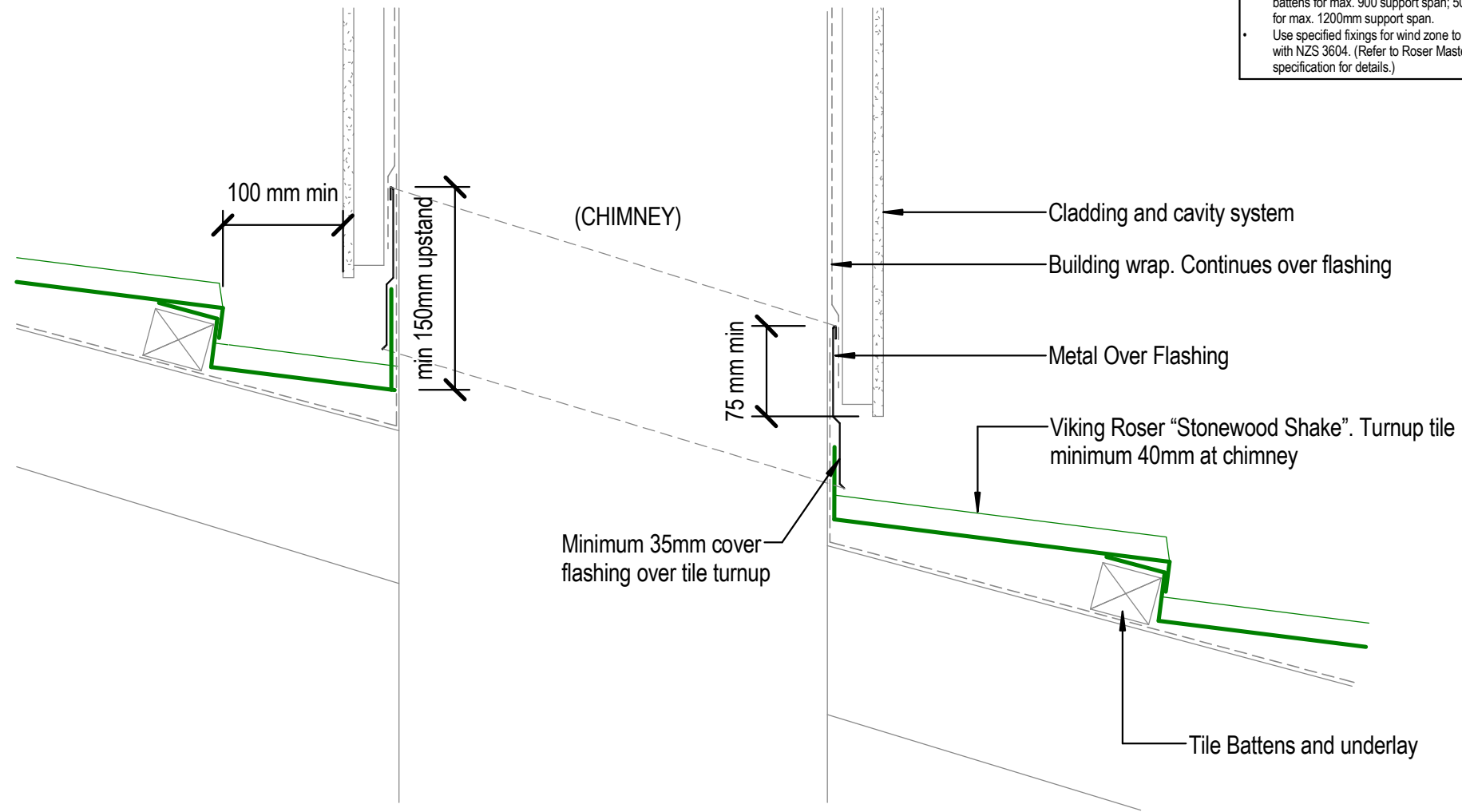


DRAWING TITLE
Roser Metal Roofing - Stonewood Shake Chimney Flashing with Chase

NOTES:
<ul style="list-style-type: none"> • All fixings, cladding and structure are indicative only unless notated. • Compliance of the supporting elements is the responsibility of the designer/ documenter.

DRAWING STATUS			
INFORMATION ONLY			
Not to Scale	Date	Detail Ref:	Issue
	22.02.16	VRSS02	A
Drawn	Viking		

- Per NZS 3604 (Table 10.12). 50x40mm H1.2 battens for max. 900 support span; 50x50mm for max. 1200mm support span.
- Use specified fixings for wind zone to comply with NZS 3604. (Refer to Roser Masterspec specification for details.)

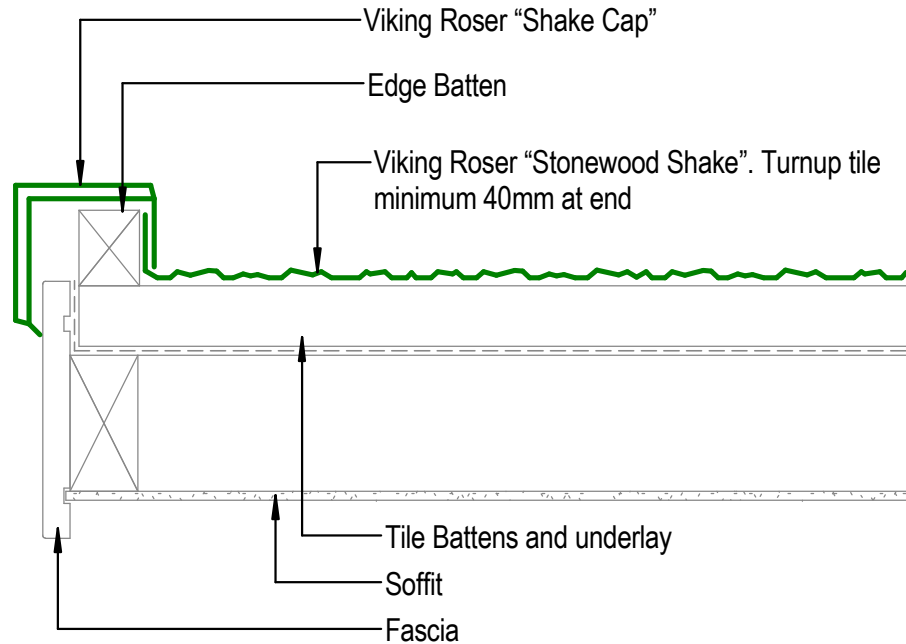


DRAWING TITLE
Roser Metal Roofing - Stonewood Shake Chimney Flashing with Cladding

NOTES:
<ul style="list-style-type: none"> • All fixings, cladding and structure are indicative only unless notated. • Compliance of the supporting elements is the responsibility of the designer/ documenter.

DRAWING STATUS			
INFORMATION ONLY			
Not to Scale	Date 22.02.16	Detail Ref:	Issue
Drawn	Viking	VRSS03	A

- Per NZS 3604 (Table 10.12). 50x40mm H1.2 battens for max. 900 support span; 50x50mm for max. 1200mm support span.
- Use specified fixings for wind zone to comply with NZS 3604. (Refer to Roser Masterspec specification for details.)



DRAWING TITLE

Roser Metal Roofing - Stonewood Shake
Barge Edge - Angle Trim

NOTES:

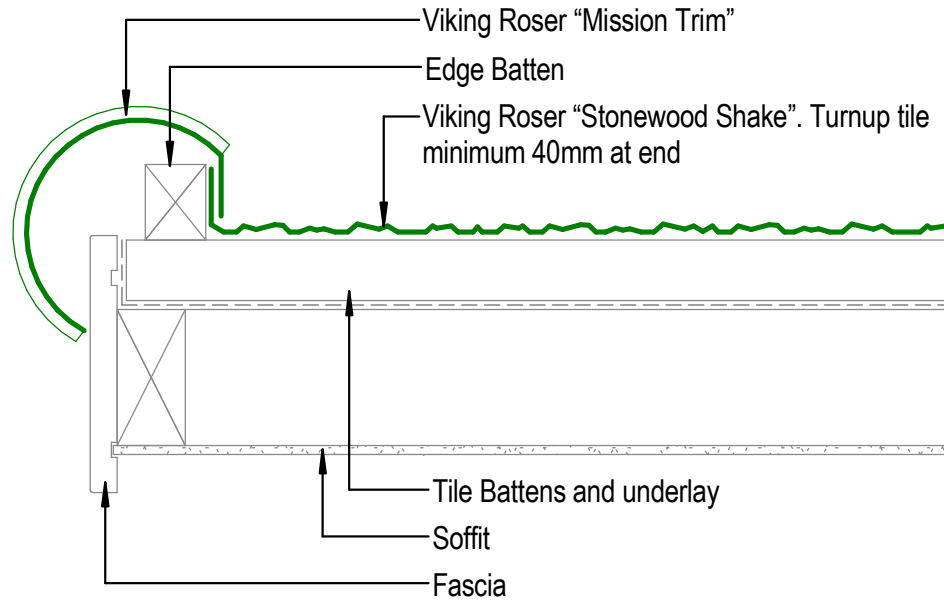
- All fixings, cladding and structure are indicative only unless notated.
- Compliance of the supporting elements is the responsibility of the designer/ documenter.

DRAWING STATUS

INFORMATION ONLY

Not to Scale	Date	Detail Ref:	Issue
	22.02.16		
Drawn	Viking	VRSS04	A

- Per NZS 3604 (Table 10.12). 50x40mm H1.2 battens for max. 900 support span; 50x50mm for max. 1200mm support span.
- Use specified fixings for wind zone to comply with NZS 3604. (Refer to Roser Masterspec specification for details.)



DRAWING TITLE

Roser Metal Roofing - Stonewood Shake
Barge Edge - Barrel Trim

NOTES:

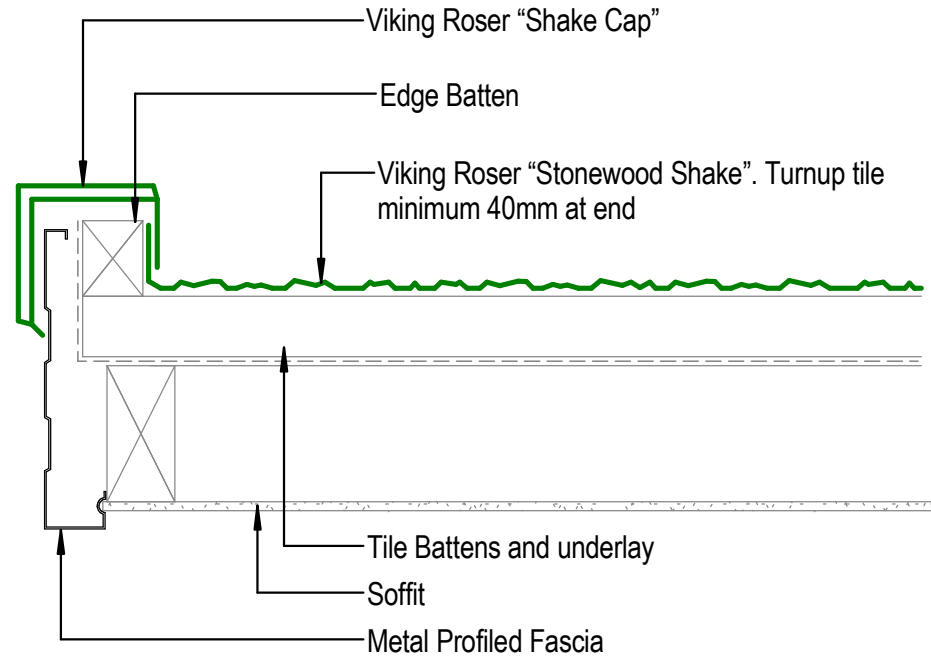
- All fixings, cladding and structure are indicative only unless notated.
- Compliance of the supporting elements is the responsibility of the designer/ documenter.

DRAWING STATUS

INFORMATION ONLY

Not to Scale	Date	Detail Ref:	Issue
	22.02.16		
Drawn	Viking	VRSS05	A

- Per NZS 3604 (Table 10.12). 50x40mm H1.2 battens for max. 900 support span; 50x50mm for max. 1200mm support span.
- Use specified fixings for wind zone to comply with NZS 3604. (Refer to Roser Masterspec specification for details.)



DRAWING TITLE

Roser Metal Roofing - Stonewood Shake
Metal Fascia - Angle Trim

NOTES:

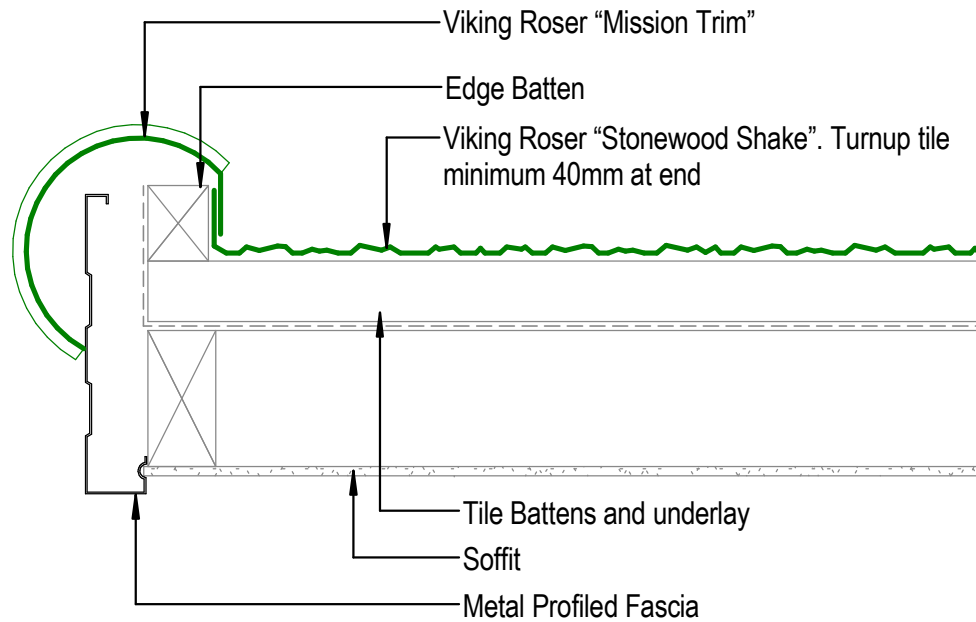
- All fixings, cladding and structure are indicative only unless notated.
- Compliance of the supporting elements is the responsibility of the designer/ documenter.

DRAWING STATUS

INFORMATION ONLY

Not to Scale	Date	Detail Ref:	Issue
	22.02.16		
Drawn	Viking	VRSS06	A

- Per NZS 3604 (Table 10.12). 50x40mm H1.2 battens for max. 900 support span; 50x50mm for max. 1200mm support span.
- Use specified fixings for wind zone to comply with NZS 3604. (Refer to Roser Masterspec specification for details.)



DRAWING TITLE

Roser Metal Roofing - Stonewood Shake
Metal Fascia - Barrel Trim

NOTES:

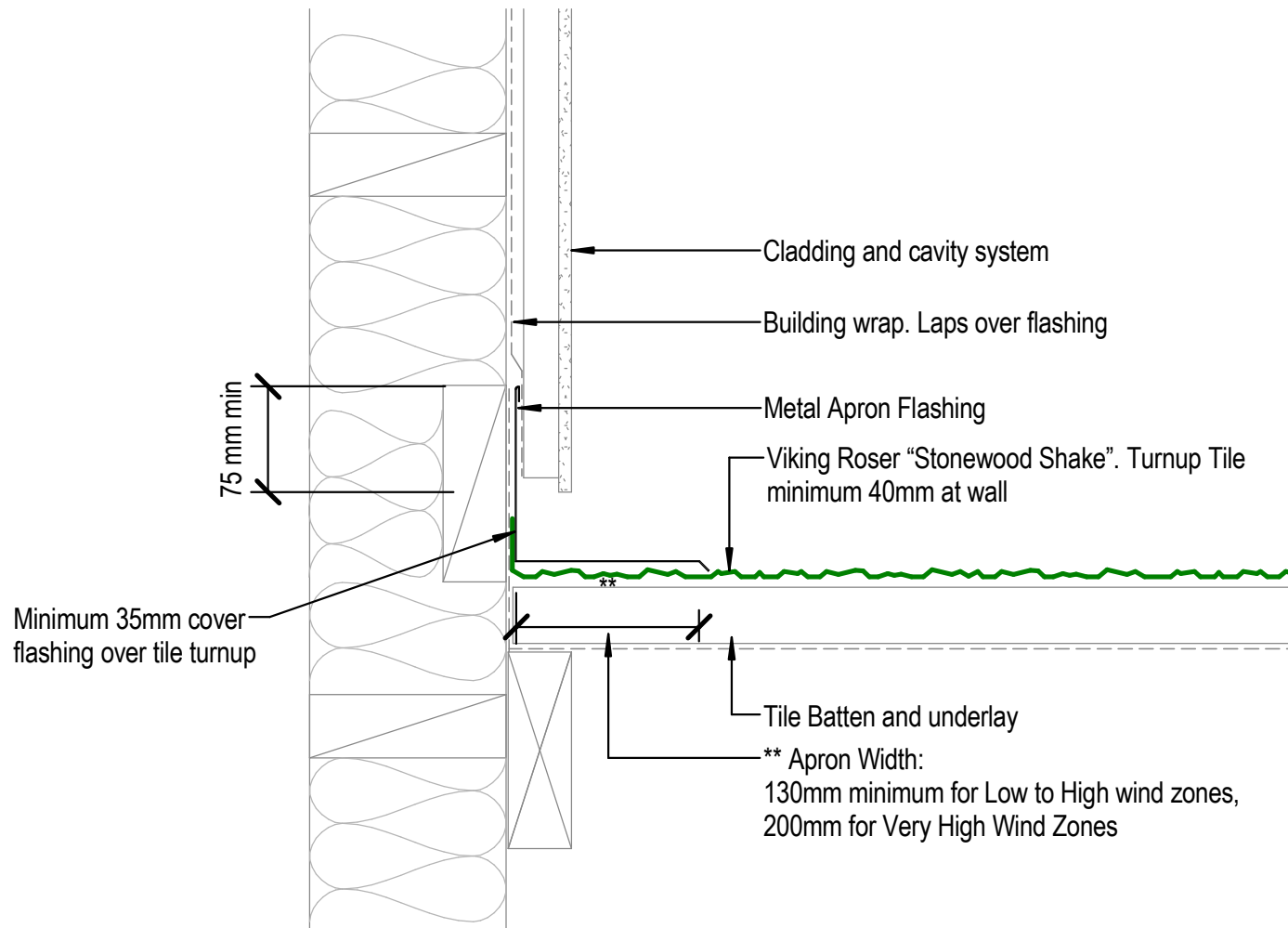
- All fixings, cladding and structure are indicative only unless notated.
- Compliance of the supporting elements is the responsibility of the designer/ documenter.

DRAWING STATUS

INFORMATION ONLY

Not to Scale	Date	Detail Ref:	Issue
	22.02.16		
Drawn	Viking	VRSS07	A

- Per NZS 3604 (Table 10.12). 50x40mm H1.2 battens for max. 900 support span; 50x50mm for max. 1200mm support span.
- Use specified fixings for wind zone to comply with NZS 3604. (Refer to Roser Masterspec specification for details.)



DRAWING TITLE

Roser Metal Roofing - Stonewood Shake
Apron Flashing to Side Wall

NOTES:

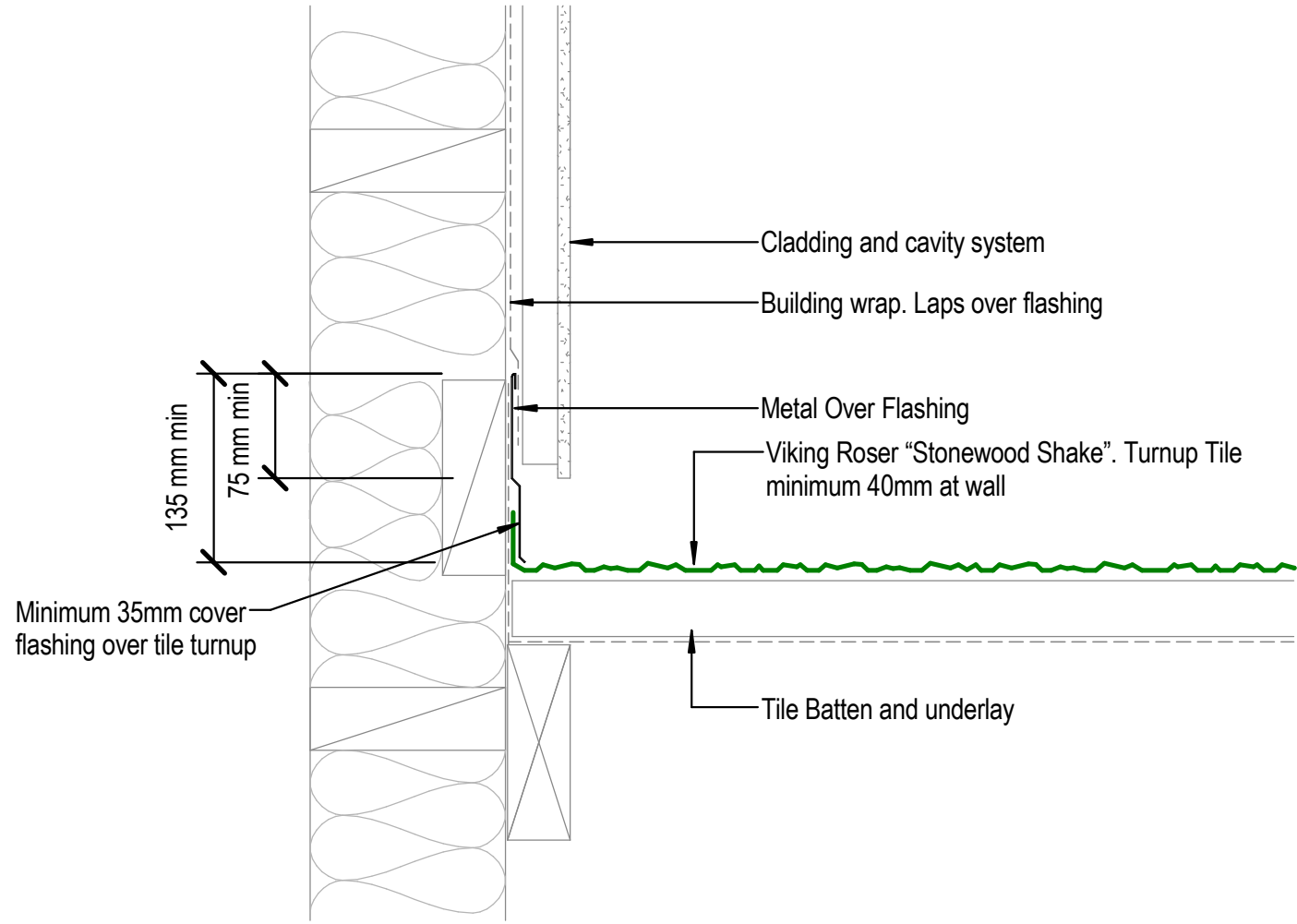
- All fixings, cladding and structure are indicative only unless notated.
- Compliance of the supporting elements is the responsibility of the designer/ documenter.

DRAWING STATUS

INFORMATION ONLY

Not to Scale	Date	Detail Ref:	Issue
	22.02.16		
Drawn	Viking	VRSS08	A

- Per NZS 3604 (Table 10.12). 50x40mm H1.2 battens for max. 900 support span; 50x50mm for max. 1200mm support span.
- Use specified fixings for wind zone to comply with NZS 3604. (Refer to Roser Masterspec specification for details.)

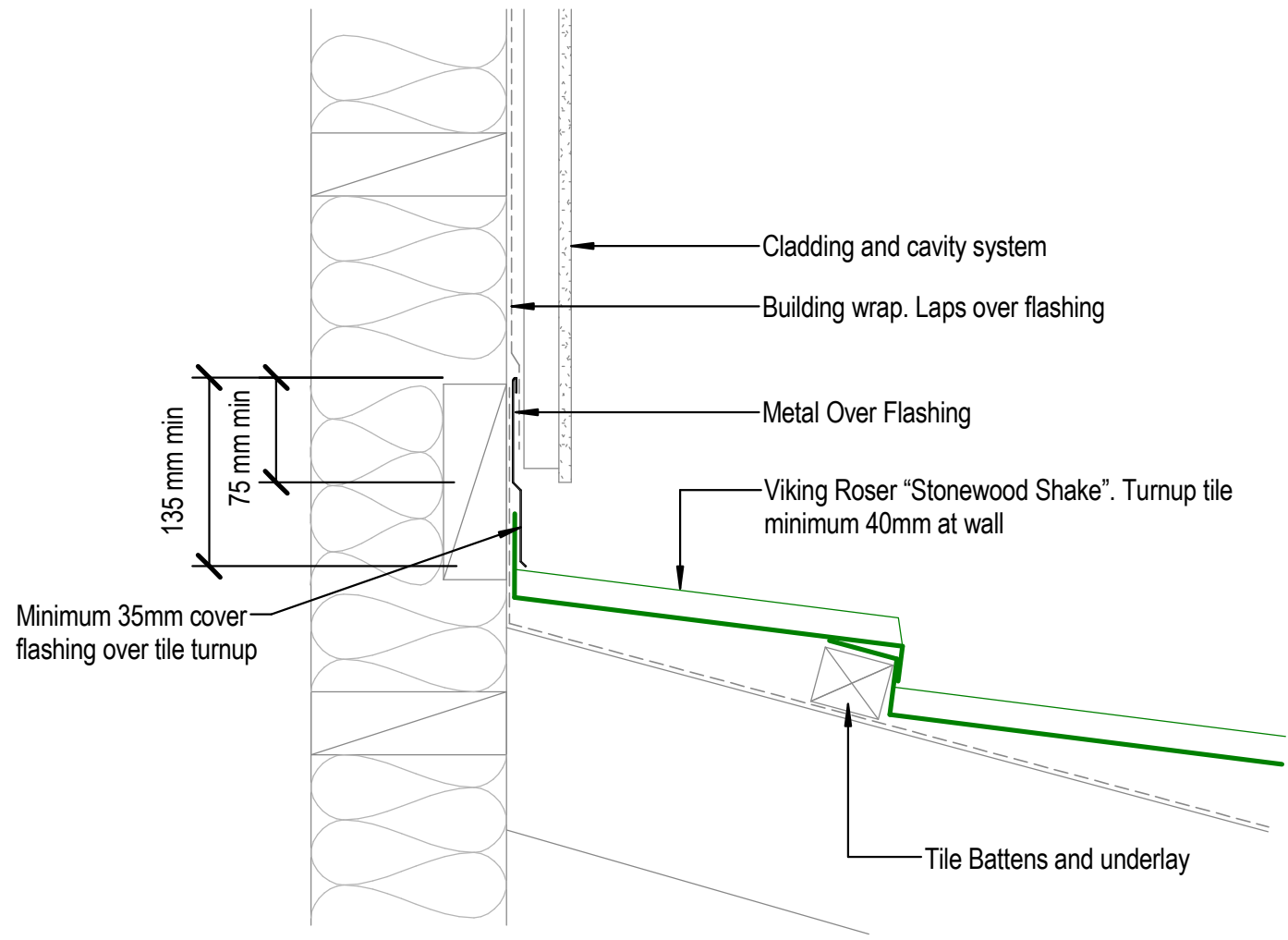


DRAWING TITLE
Roser Metal Roofing - Stonewood Shake Standard Flashing to Side Wall

NOTES:
<ul style="list-style-type: none"> • All fixings, cladding and structure are indicative only unless notated. • Compliance of the supporting elements is the responsibility of the designer/ documenter.

DRAWING STATUS			
INFORMATION ONLY			
Not to Scale	Date	Detail Ref:	Issue
	22.02.16	VRSS09	A
Drawn	Viking		

- Per NZS 3604 (Table 10.12). 50x40mm H1.2 battens for max. 900 support span; 50x50mm for max. 1200mm support span.
- Use specified fixings for wind zone to comply with NZS 3604. (Refer to Roser Masterspec specification for details.)



DRAWING TITLE

Roser Metal Roofing - Stonewood Shake
Head Flashing at Wall

NOTES:

- All fixings, cladding and structure are indicative only unless notated.
- Compliance of the supporting elements is the responsibility of the designer/ documenter.

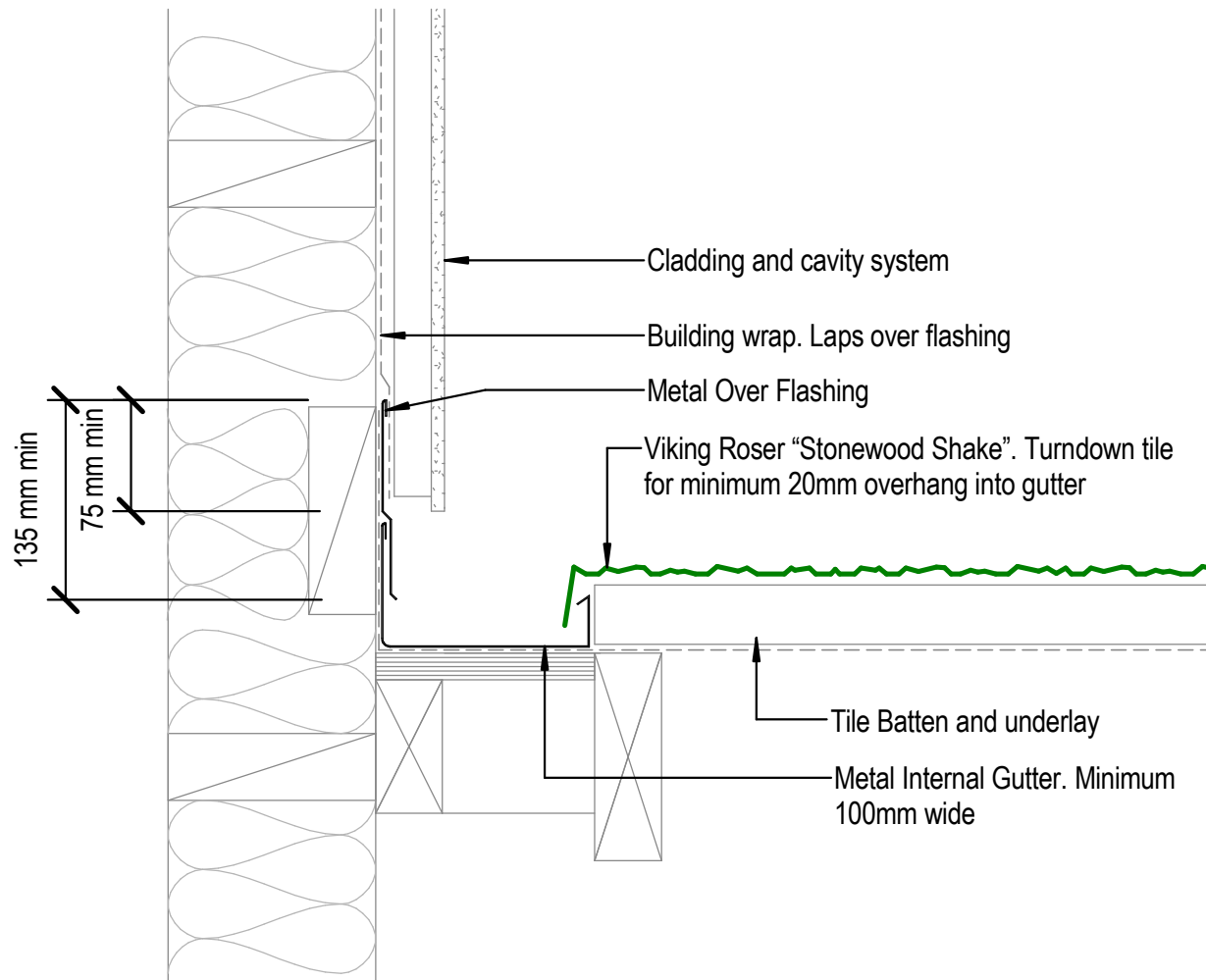
DRAWING STATUS

INFORMATION ONLY

Not to Scale	Date	Detail Ref:	Issue
	22.02.16		
Drawn	Viking	VRSS10	A



- Per NZS 3604 (Table 10.12). 50x40mm H1.2 battens for max. 900 support span; 50x50mm for max. 1200mm support span.
- Use specified fixings for wind zone to comply with NZS 3604. (Refer to Roser Masterspec specification for details.)



DRAWING TITLE

Roser Metal Roofing - Stonewood Shake
Hidden Gutter

NOTES:

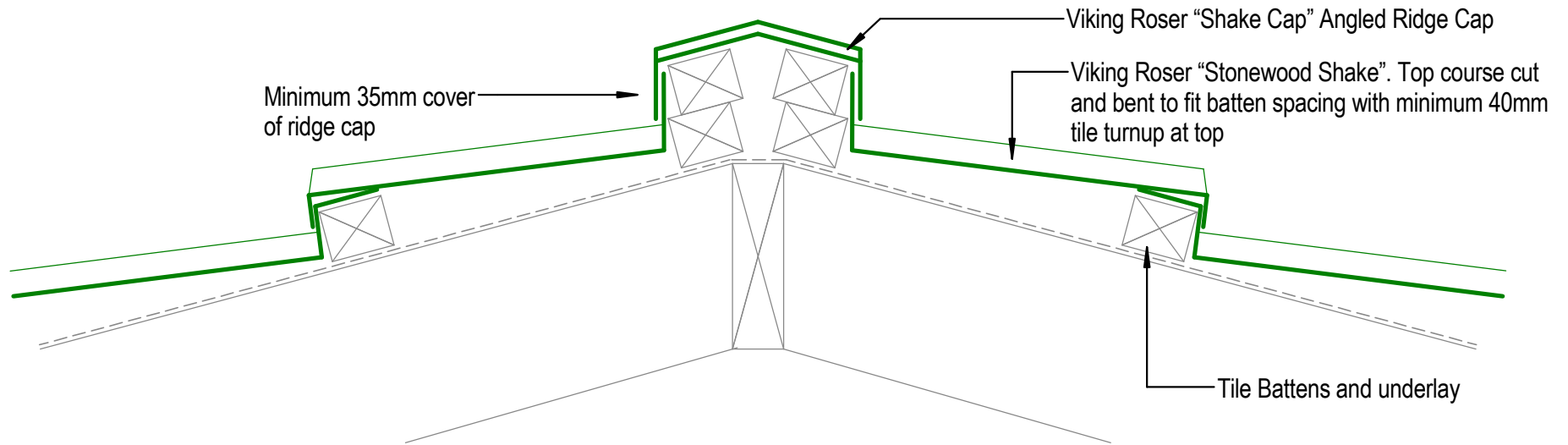
- All fixings, cladding and structure are indicative only unless notated.
- Compliance of the supporting elements is the responsibility of the designer/ documenter.

DRAWING STATUS

INFORMATION ONLY

Not to Scale	Date	Detail Ref:	Issue
	22.02.16		
Drawn	Viking	VRSS11	A

- Per NZS 3604 (Table 10.12). 50x40mm H1.2 battens for max. 900 support span; 50x50mm for max. 1200mm support span.
- Use specified fixings for wind zone to comply with NZS 3604. (Refer to Roser Masterspec specification for details.)



DRAWING TITLE

Roser Metal Roofing - Stonewood Shake
Ridge Cap - Angle

NOTES:

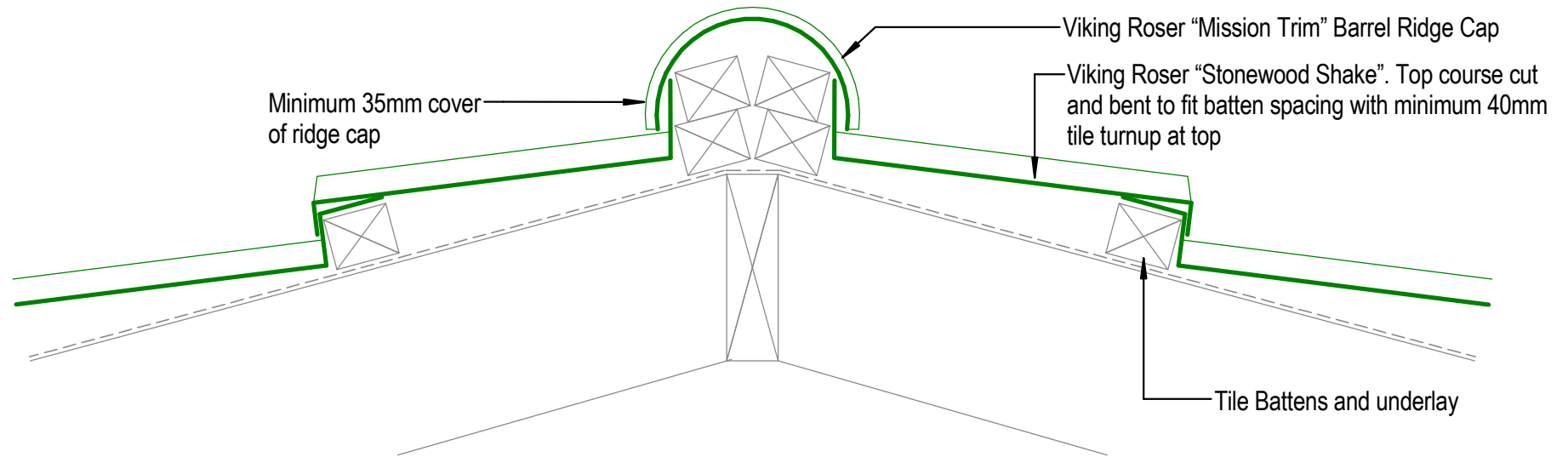
- All fixings, cladding and structure are indicative only unless notated.
- Compliance of the supporting elements is the responsibility of the designer/ documenter.

DRAWING STATUS

INFORMATION ONLY

Not to Scale	Date	Detail Ref:	Issue
	22.02.16		
Drawn	Viking	VRSS12	A

- Per NZS 3604 (Table 10.12). 50x40mm H1.2 battens for max. 900 support span; 50x50mm for max. 1200mm support span.
- Use specified fixings for wind zone to comply with NZS 3604. (Refer to Roser Masterspec specification for details.)



DRAWING TITLE

Roser Metal Roofing - Stonewood Shake
Ridge Cap - Barrel

NOTES:

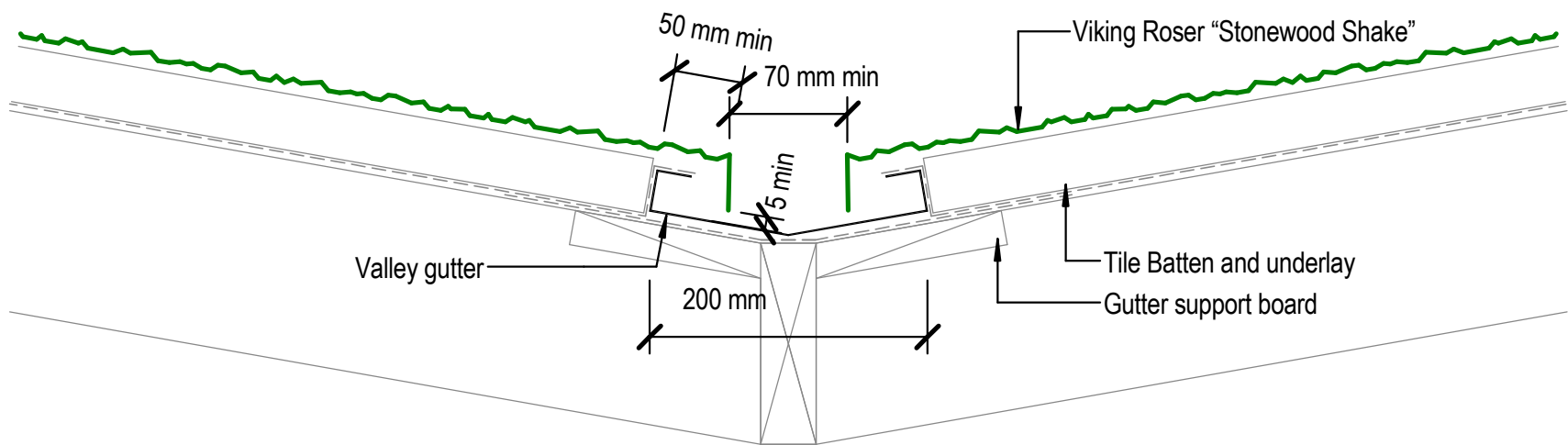
- All fixings, cladding and structure are indicative only unless notated.
- Compliance of the supporting elements is the responsibility of the designer/ documenter.

DRAWING STATUS

INFORMATION ONLY

Not to Scale	Date	Detail Ref:	Issue
	22.02.16		
Drawn	Viking	VRSS13	A

- Per NZS 3604 (Table 10.12). 50x40mm H1.2 battens for max. 900 support span; 50x50mm for max. 1200mm support span.
- Use specified fixings for wind zone to comply with NZS 3604. (Refer to Roser Masterspec specification for details.)



DRAWING TITLE
Roser Metal Roofing - Stonewood Shake Valley Gutter

NOTES:
<ul style="list-style-type: none"> • All fixings, cladding and structure are indicative only unless notated. • Compliance of the supporting elements is the responsibility of the designer/ documenter.

DRAWING STATUS			
INFORMATION ONLY			
Not to Scale	Date	Detail Ref:	Issue
	22.02.16	VRSS14	A
Drawn	Viking		