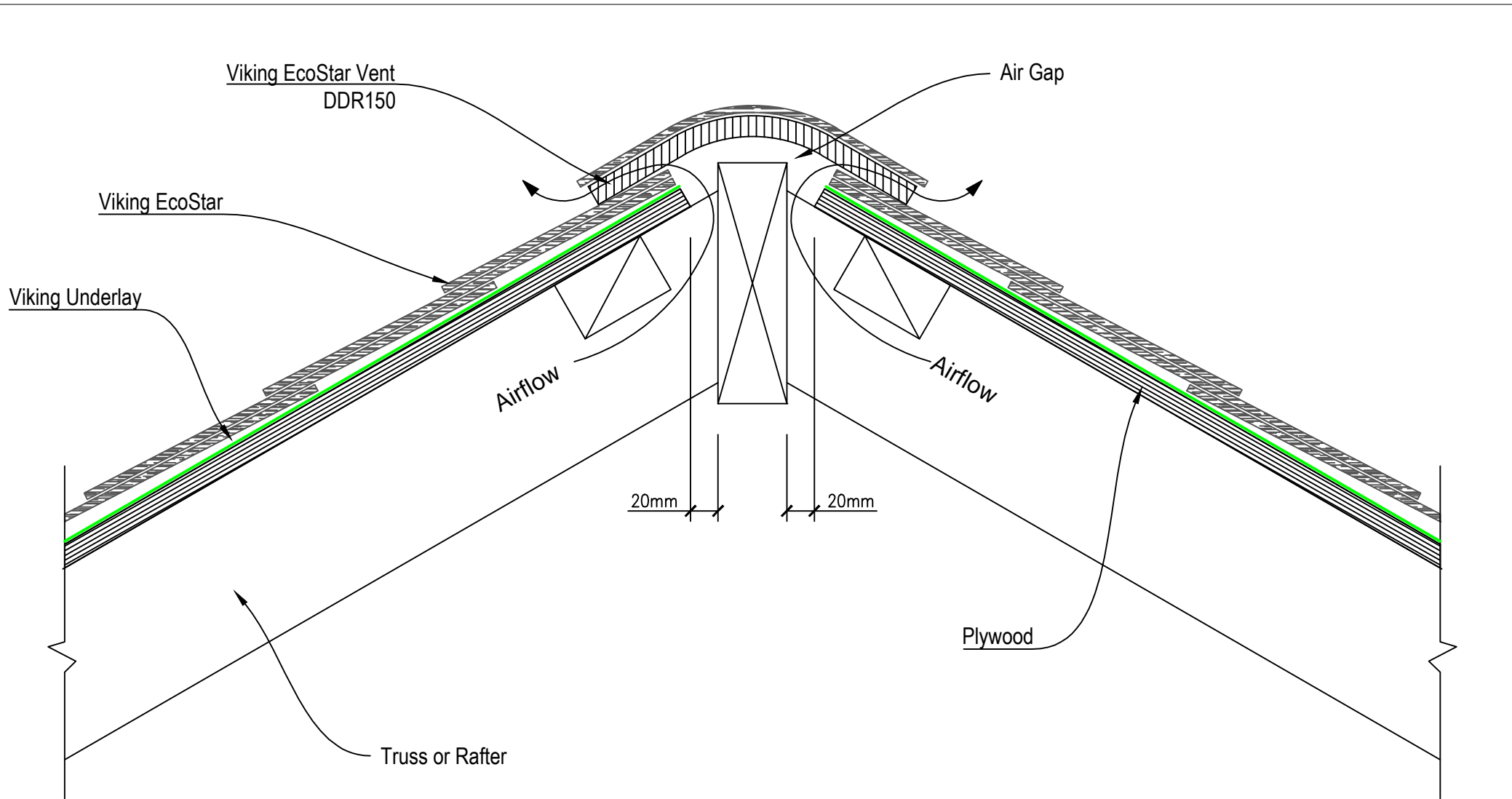


DRAWING TITLE
EcoStar Vented Dripedge to Spouting

NOTES:
Substrate Indicative Only

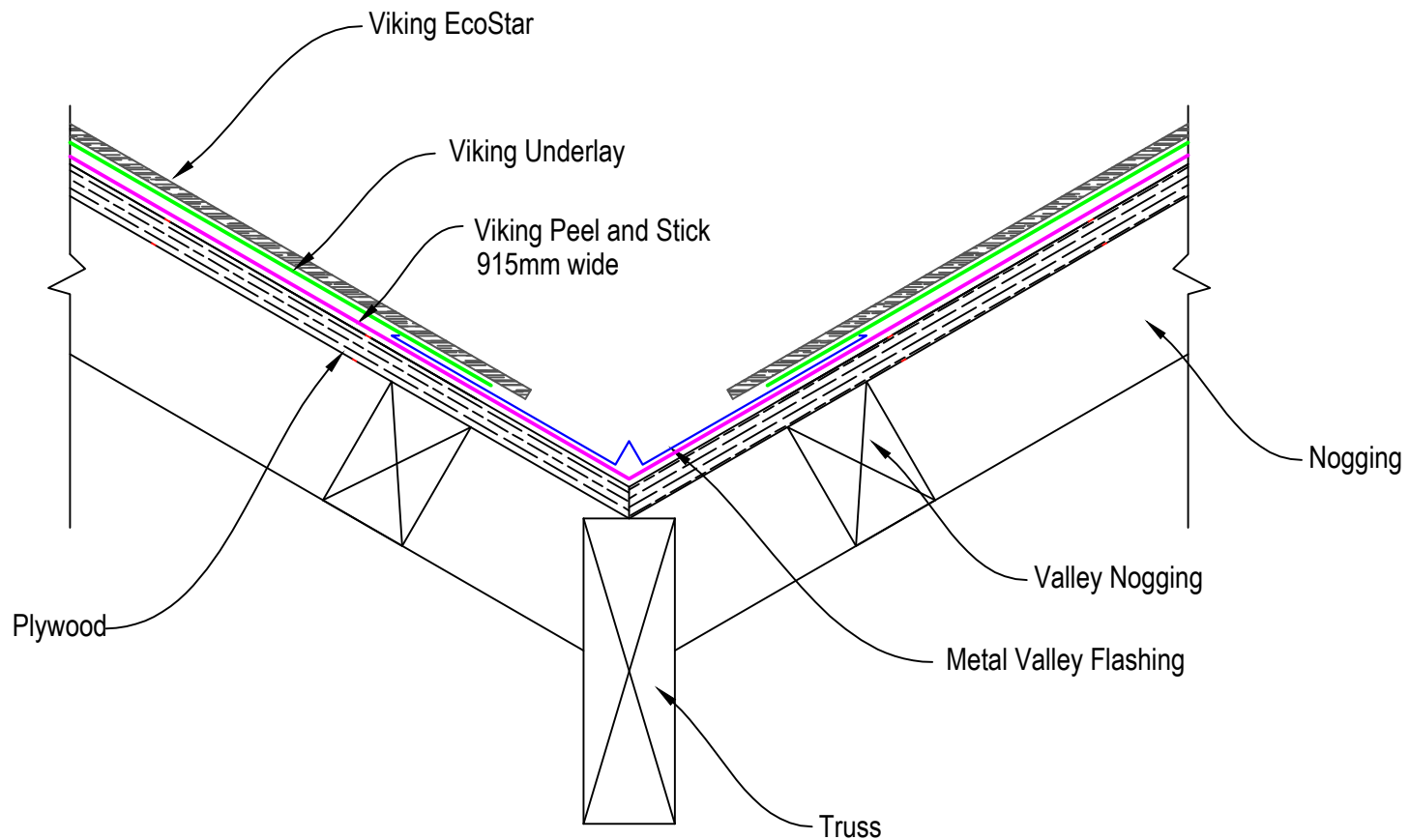
DRAWING STATUS			
INFORMATION ONLY			
Not to Scale	DATE 19/04/2017	Detail Ref.	ISSUE
DRAWN	Viking	EC01	A



DRAWING TITLE
EcoStar Vented Ridge

NOTES:
Substrate Indicative Only

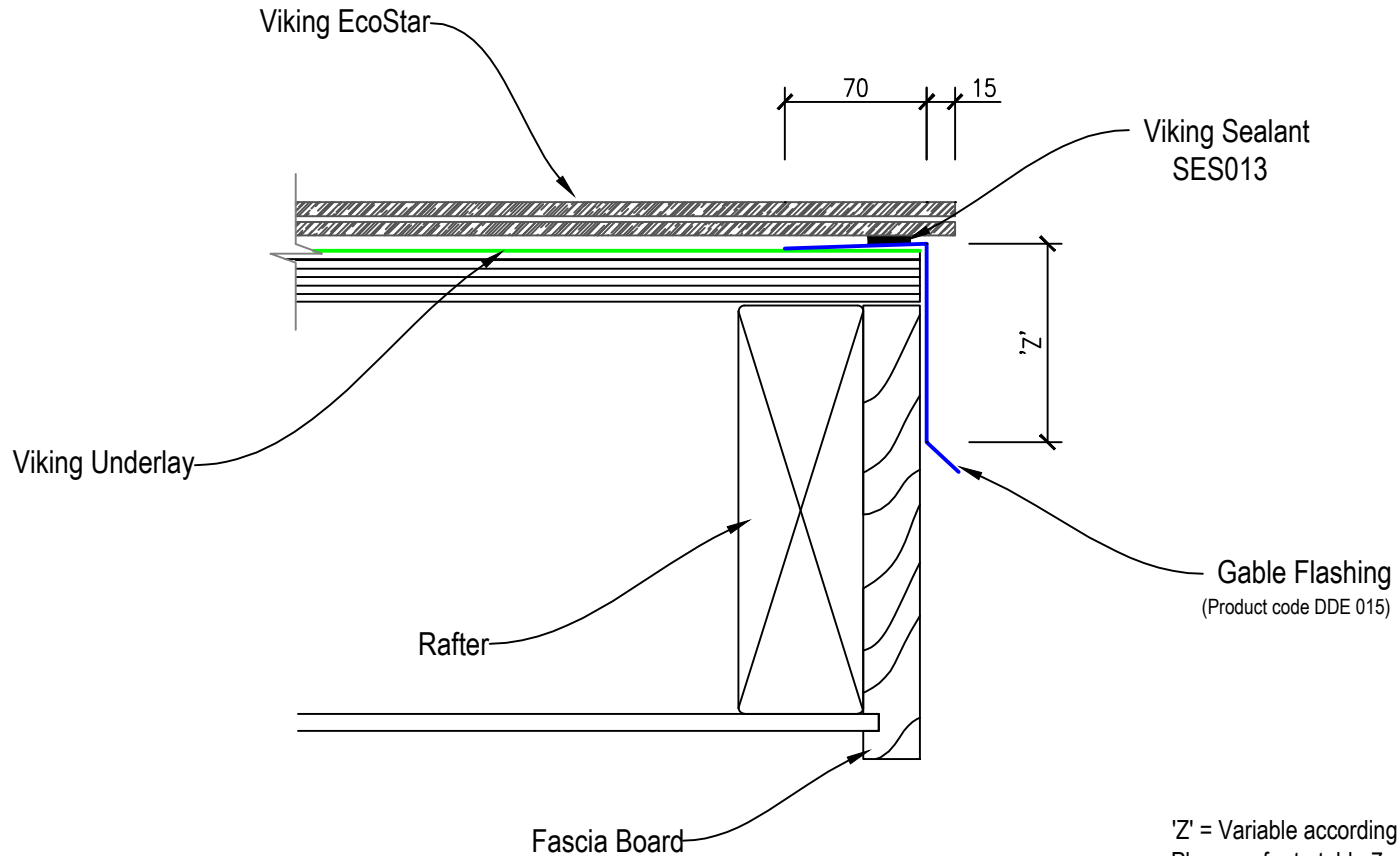
DRAWING STATUS			
INFORMATION ONLY			
Not to Scale	DATE 19/04/2017	Detail Ref.	ISSUE
DRAWN	Viking	EC02	A



DRAWING TITLE
EcoStar Valley Detail

NOTES:
Substrate Indicative Only

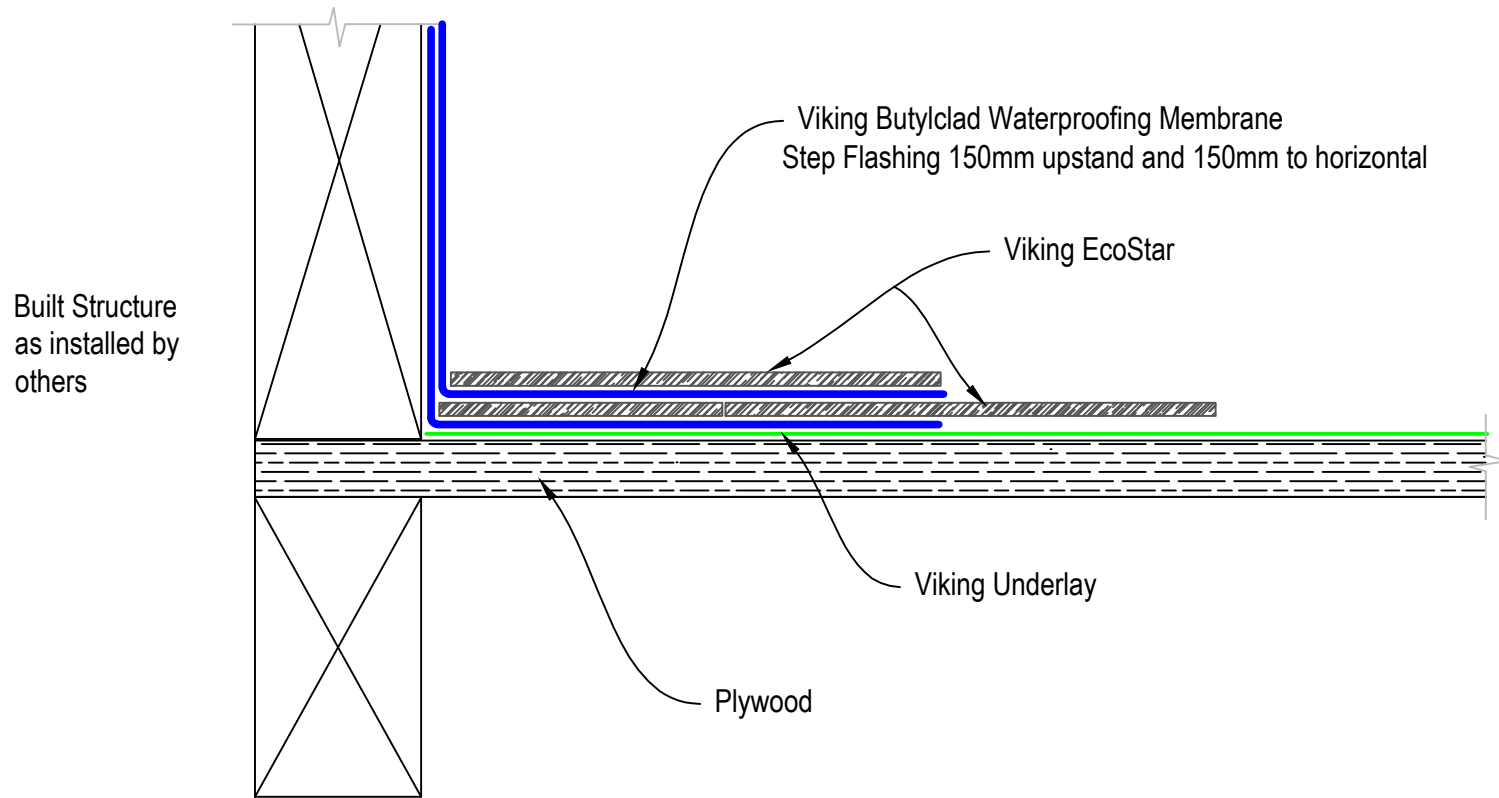
DRAWING STATUS			
INFORMATION ONLY			
Not to Scale	DATE 19/04/2017	Detail Ref.	ISSUE
DRAWN	Viking	EC03	A



DRAWING TITLE
EcoStar Gable Detail

NOTES:
Substrate Indicative Only

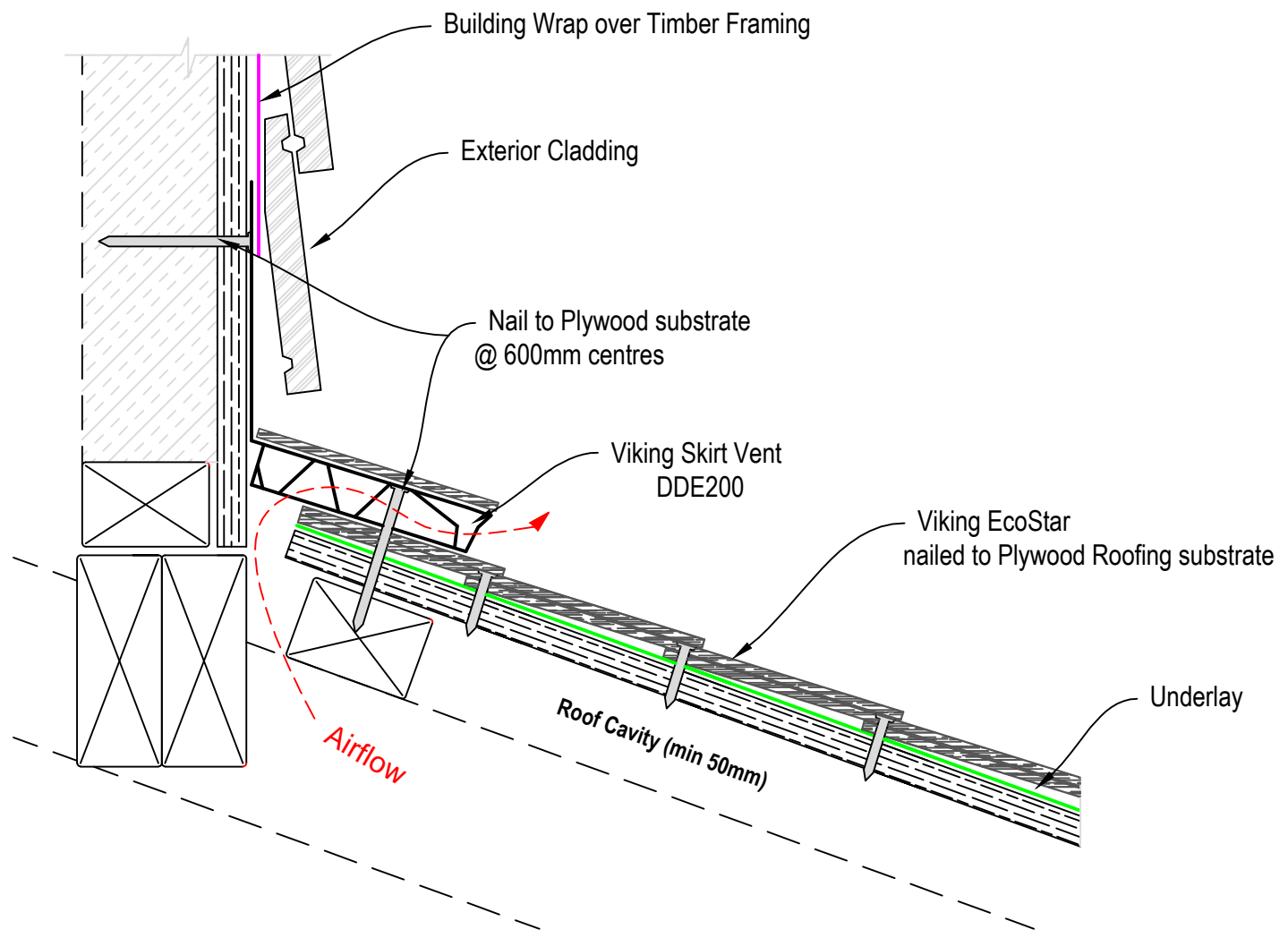
DRAWING STATUS			
INFORMATION ONLY			
Not to Scale	DATE 19/04/2017	Detail Ref.	ISSUE
DRAWN	Viking	EC04	A



DRAWING TITLE	
EcoStar Step Flashings	

NOTES:	
Substrate Indicative Only	

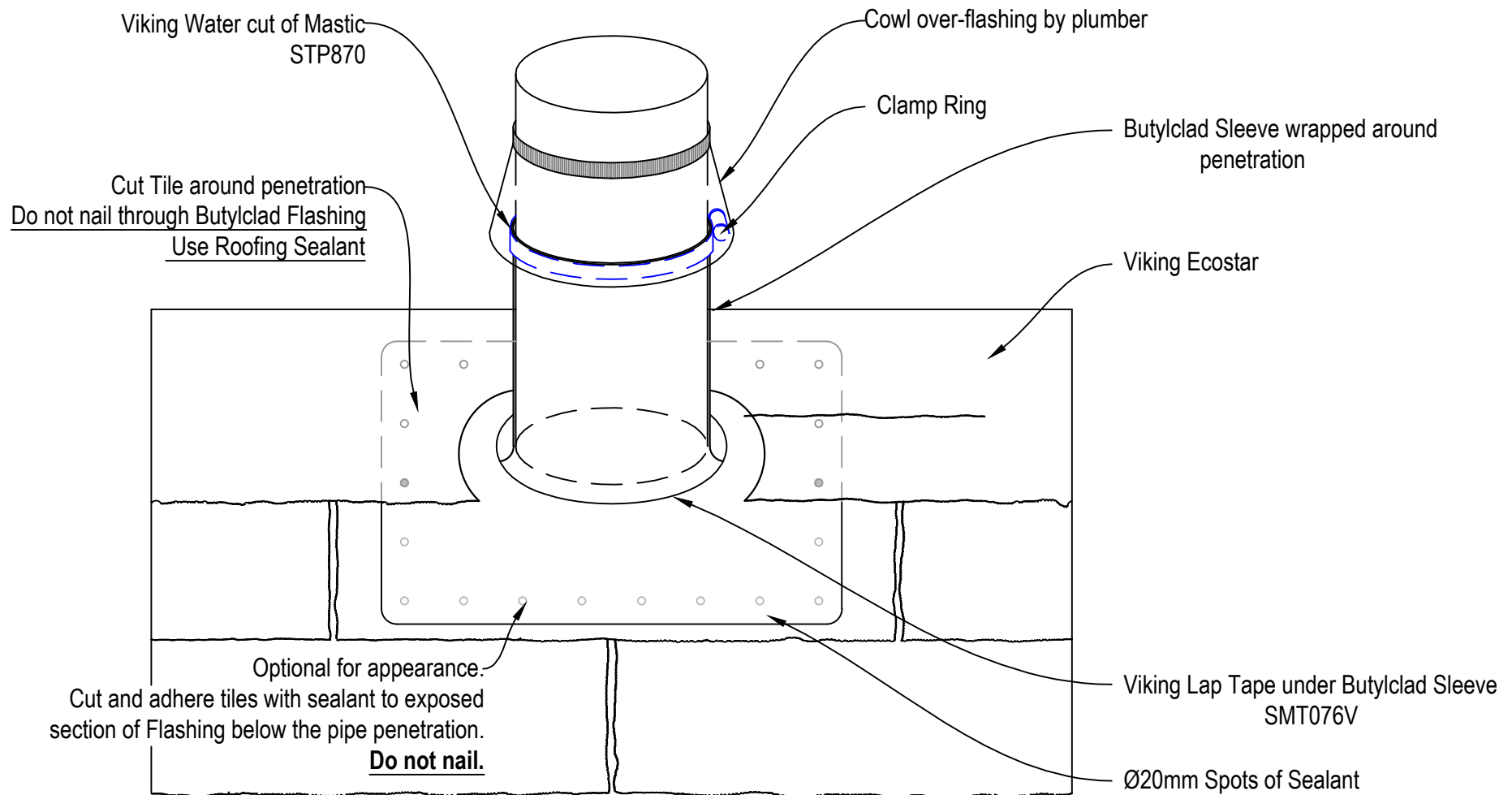
DRAWING STATUS			
INFORMATION ONLY			
Not to Scale	DATE 19/04/2017	Detail Ref.	ISSUE
DRAWN	Viking	EC05	A

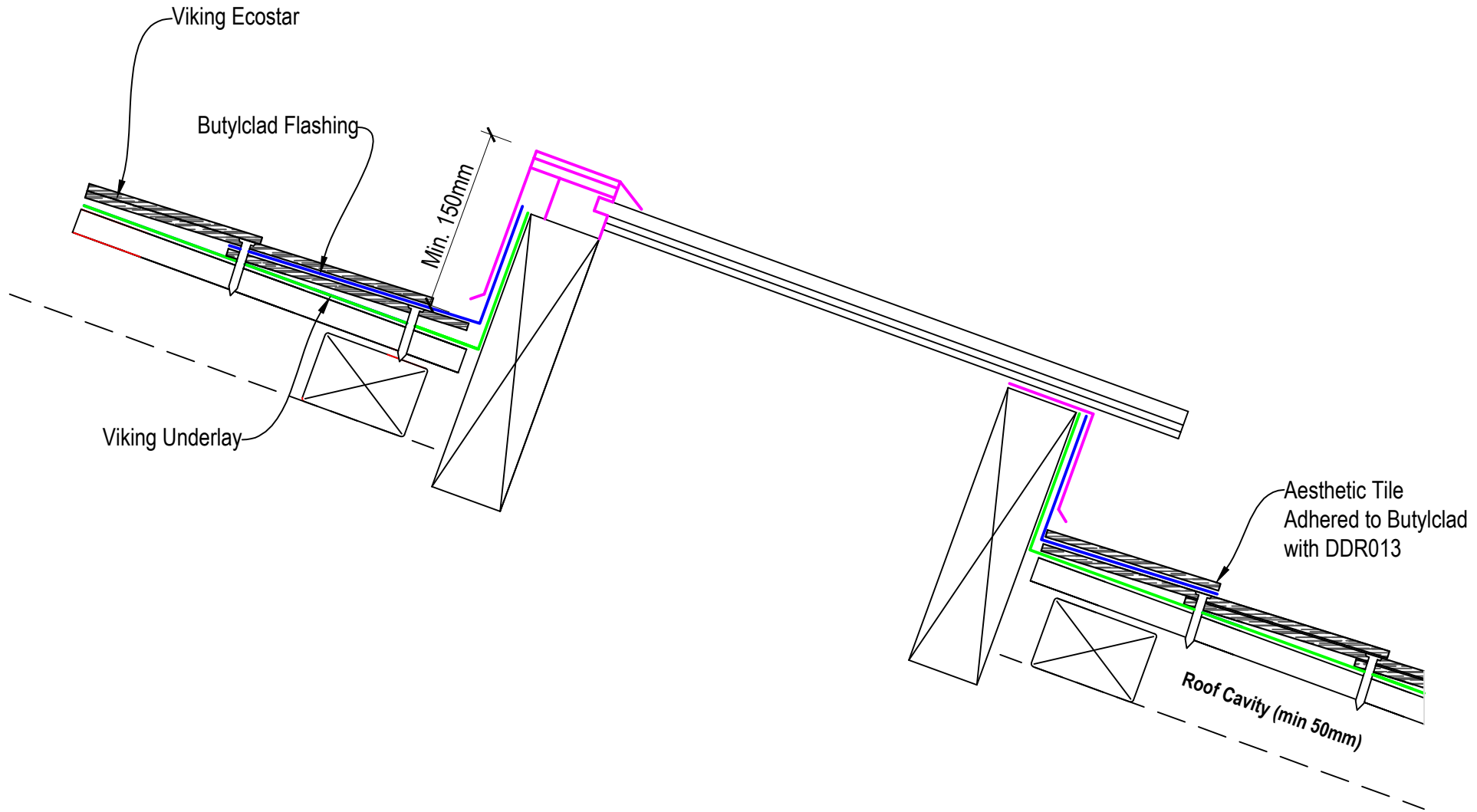


DRAWING TITLE
EcoStar Vented Roof to Wall

NOTES:
Substrate Indicative Only

DRAWING STATUS			
INFORMATION ONLY			
Not to Scale	DATE 19/04/2017	Detail Ref.	ISSUE
DRAWN	Viking	EC06	A

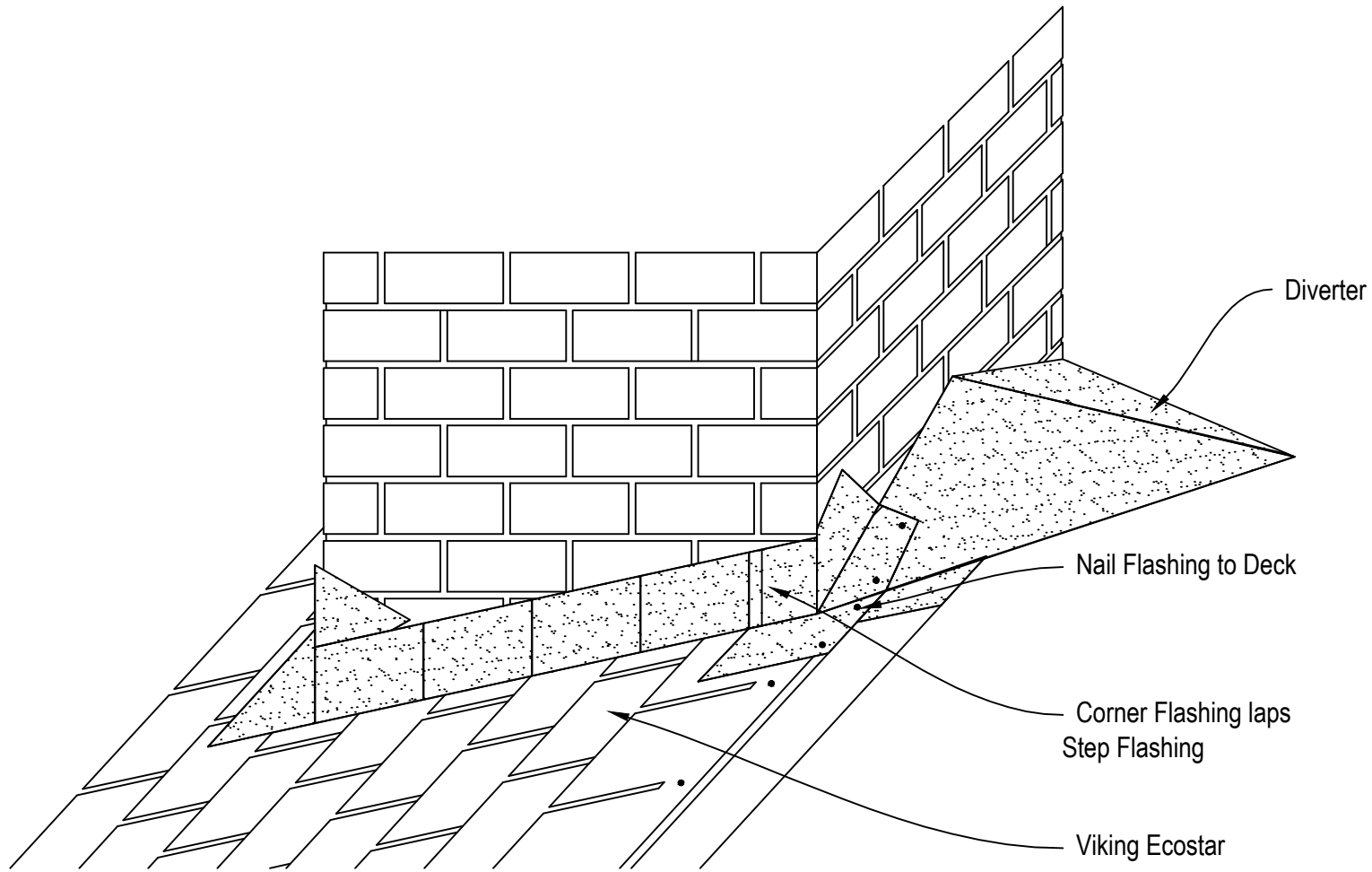




DRAWING TITLE
EcoStar Skylight Detail

NOTES:
Substrate Indicative Only

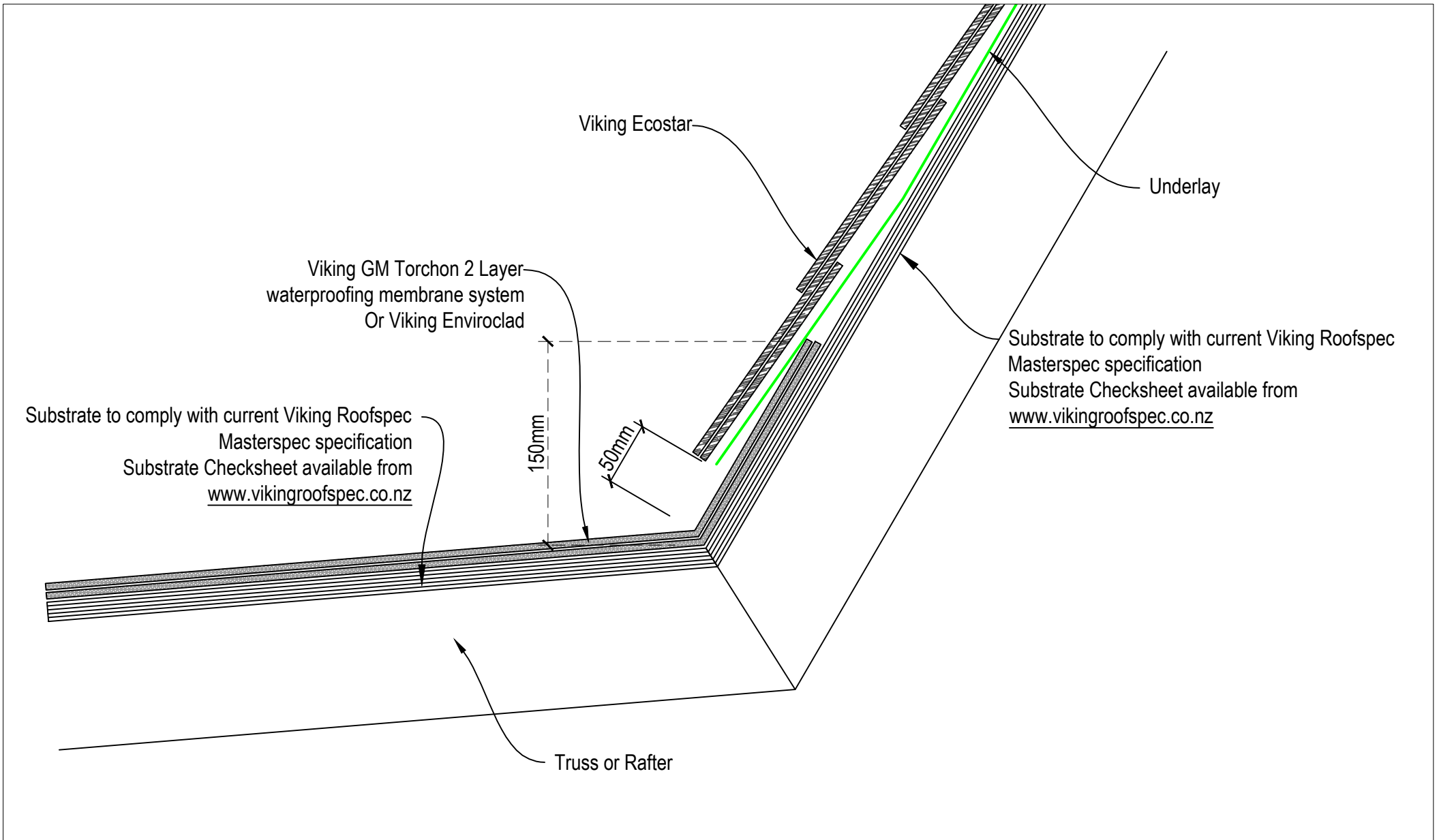
DRAWING STATUS			
INFORMATION ONLY			
Not to Scale	DATE 19/04/2017	Detail Ref.	ISSUE
DRAWN Viking		EC08	A



DRAWING TITLE
EcoStar Chimney Detail

NOTES:
Substrate Indicative Only

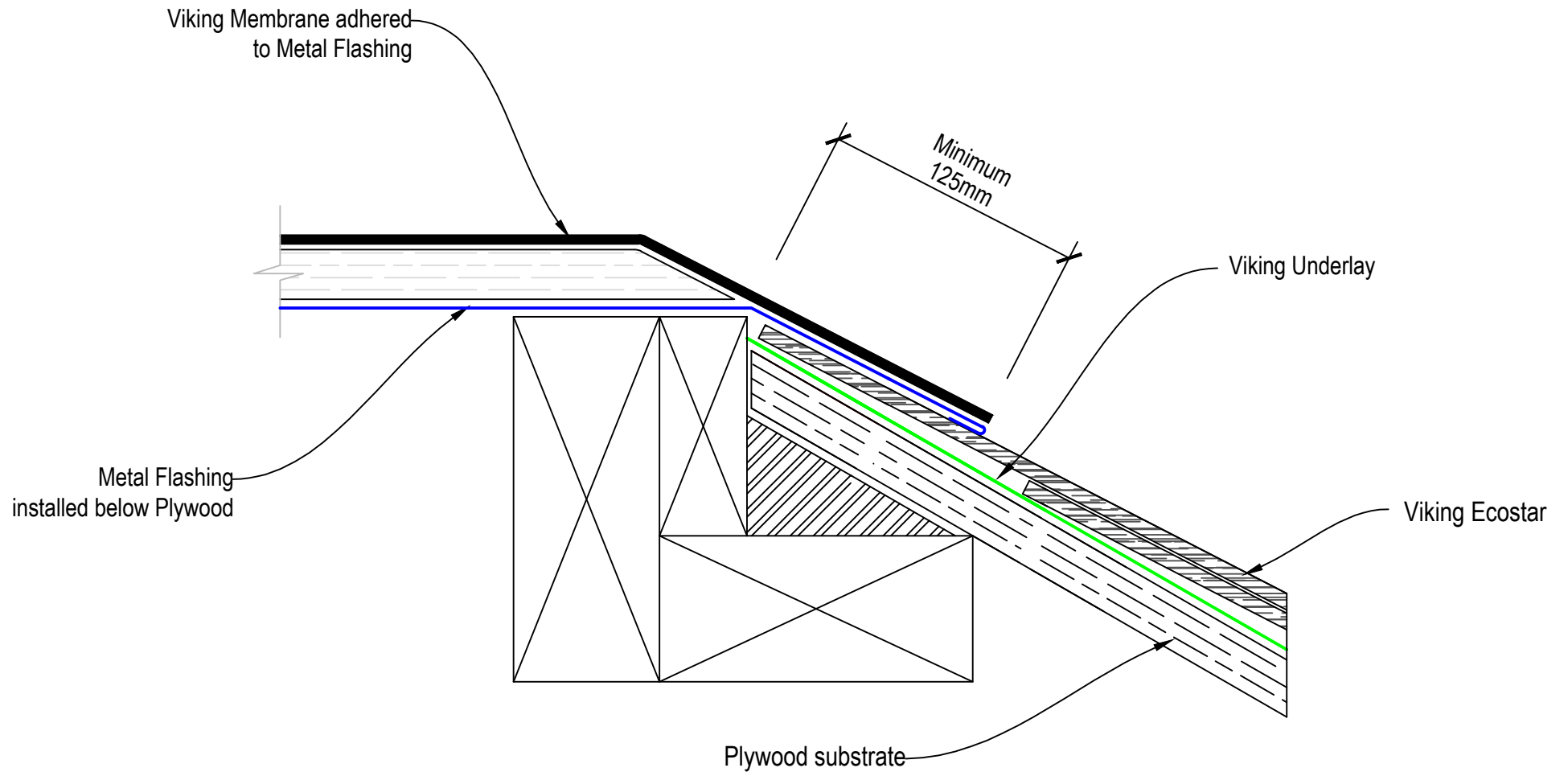
DRAWING STATUS			
INFORMATION ONLY			
Not to Scale	DATE 19/04/2017	Detail Ref.	ISSUE
DRAWN	Viking	EC09	A



DRAWING TITLE
EcoStar Low Slope roof 2° to Ecostar Pitched roof

NOTES:
Substrate Indicative Only

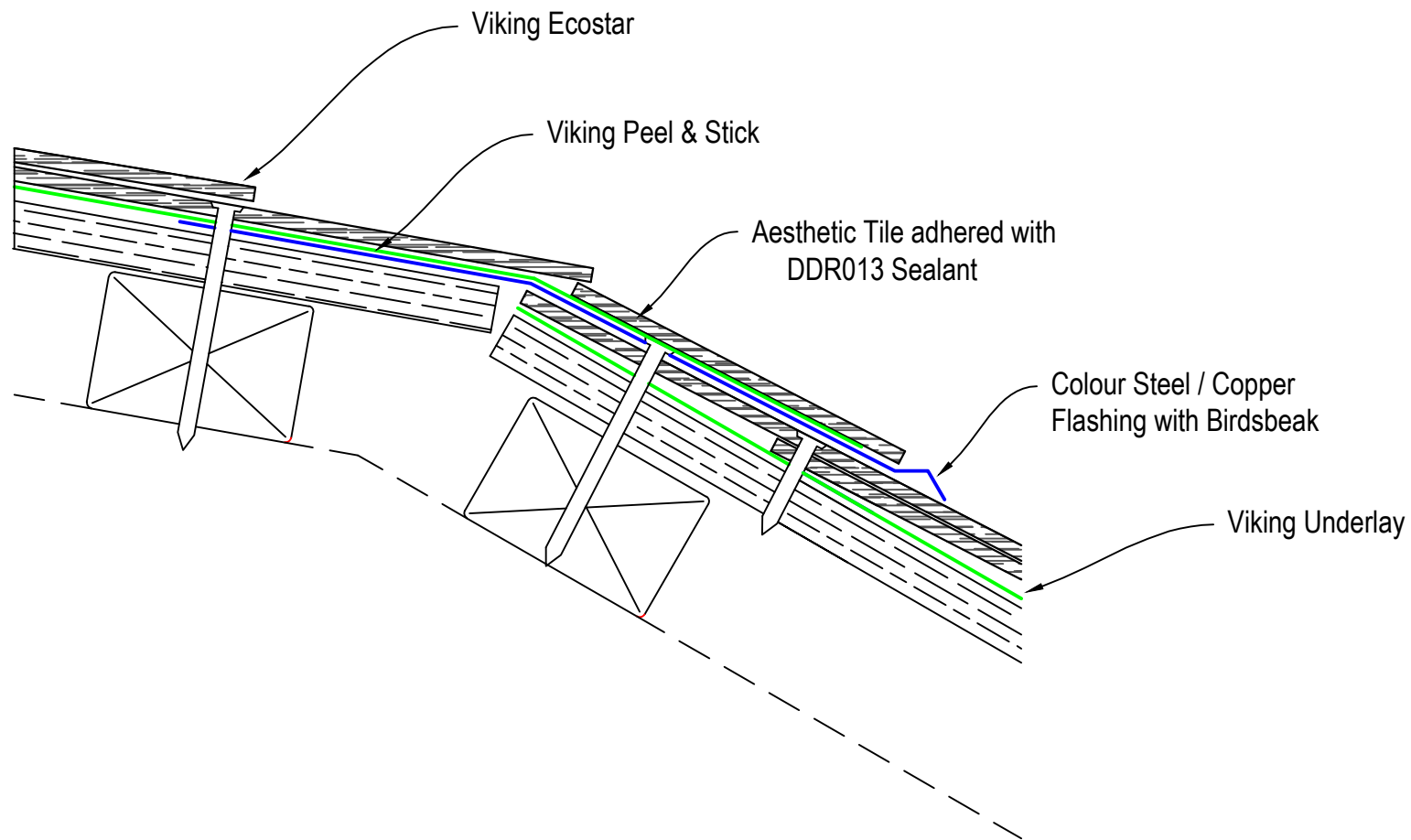
DRAWING STATUS			
INFORMATION ONLY			
Not to Scale	DATE 19/04/2017	Detail Ref.	ISSUE
DRAWN	Viking	EC10	A



DRAWING TITLE
EcoStar Mansard Roof

NOTES:
Substrate Indicative Only

DRAWING STATUS			
INFORMATION ONLY			
Not to Scale	DATE 19/04/2017	Detail Ref:	ISSUE
DRAWN	Viking	EC11	A

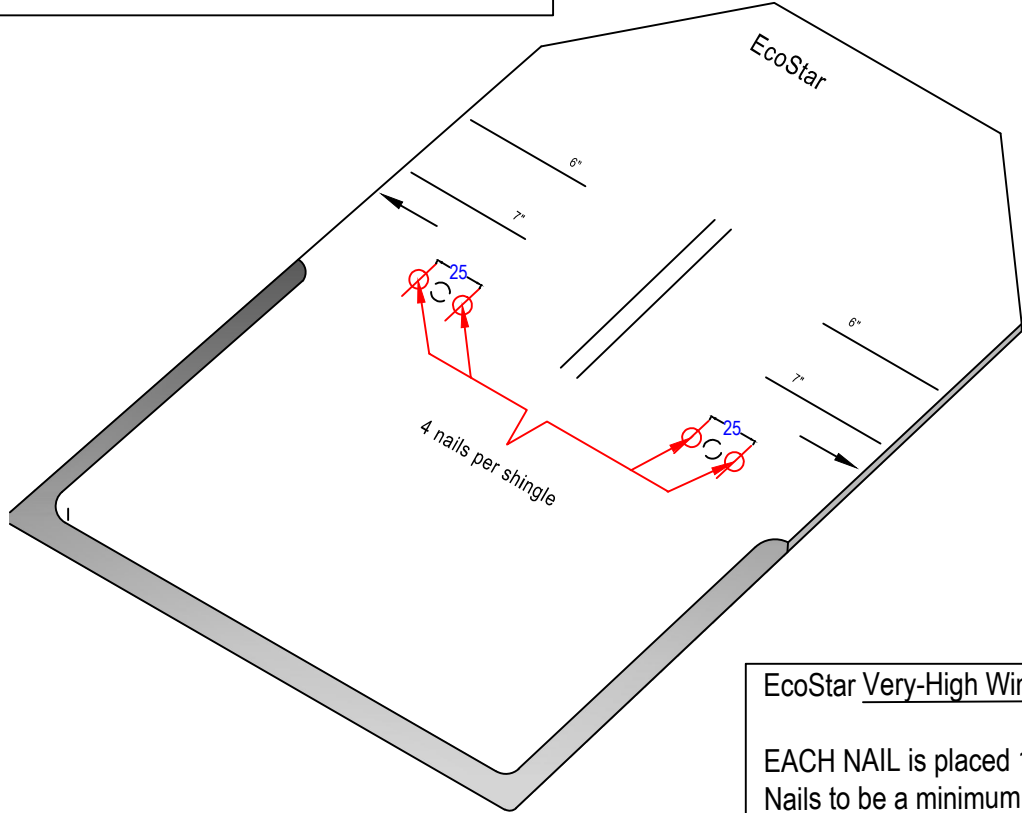


DRAWING TITLE
EcoStar Change in Roof Pitch Note: Min. 15° pitch for EcoStar

NOTES:
Substrate Indicative Only

DRAWING STATUS			
INFORMATION ONLY			
Not to Scale	DATE 19/04/2017	Detail Ref.	ISSUE
DRAWN	Viking	EC12	A

EcoStar installation instructions must be followed
 'Bend and Blend' shingles during installation



EcoStar Very-High Wind fixing detail = FOUR (4) nails per shingle
 EACH NAIL is placed 12.5mm EITHER SIDE of NAIL HERE fixing point
 Nails to be a minimum...
 32mm ring-shank SS nail for tiles and 45mm SS nail for hip caps and
 ridges



DRAWING TITLE
EcoStar Very High Wind Fixing detail

NOTES:
Substrate Indicative Only

DRAWING STATUS			
INFORMATION ONLY			
Not to Scale	DATE 19/04/2017	Detail Ref.	ISSUE
DRAWN	Viking	EC13	A