



SES014



STP918



SES301



SEE015

Viking Peel & Stick (Vertical Wall)

Product Code	Description	Est. Coverage*	Size	Rolls per Pallet	Stocked In
SEE015	Peel & Stick (miradri 860) Tanking		0.915 x 20.4m	20	AK, WN, ChC
SES301	Peel & Stick Primer Solvent Based	80m ² /pail	19L		
SES014	Tanking Mastic (P&S)		890ml		
STP918	Jumbo Gun for Dispensing Tanking Mastic (SES014)				

*Coverage rates are indicative only. Coverage depends on surface



SES299



SES013



SEM626



SEM145

Viking Torch-On Tanking (Vertical)

Product Code	Description	Coverage	Size	Rolls per Pallet	Stocked In
SEM626	Mercury FC Tanking (Cold flex -25°C)	N/A	4mm x 1.0m x 10m	23	AK, WN, ChC
SEM145	Phoenix Super APAO (for tanking exposed above ground)	N/A	4mm x 1.0m x 10m	16	
SES299*	Torch-On Primer Solvent Based	4m ² per litre	20L		
SES013	Bitumen Sealant	N/A	300ml		

1. All coverage rates are indicative only. Coverage depends on surface texture and condition
2. *High Solvent Fumes: Consider using water-based primer if in restricted working spaces. Faster drying primer, can be used on all substrates, MUST be used on proprietary fittings



SEM713



SEM245A

Underslab Tanking (Horizontal)

Product Code	Description	Coverage	Size	Rolls per Pallet	Stocked In
SEM713	Fleecetank Under-slab Tanking	N/A	4mm x 1.05m x 10m	16	AK, WN, ChC
SEM245A	Under-slab Tanking (Ceramic Chip)	N/A	4mm x 1.0m x 10m	20	



SEE016



SEM628

Viking Drainage and Protection Board

Product Code	Description	Size	Stocked In
SEE016	Miradrain	1.2m x 15.2m	AK, WN, ChC
SEM628	GM Drainage	2.0m x 20m	
Either SEE016 or SEM628 can be used for Viking Peel & Stick or Torch-On Tanking systems			



SES302

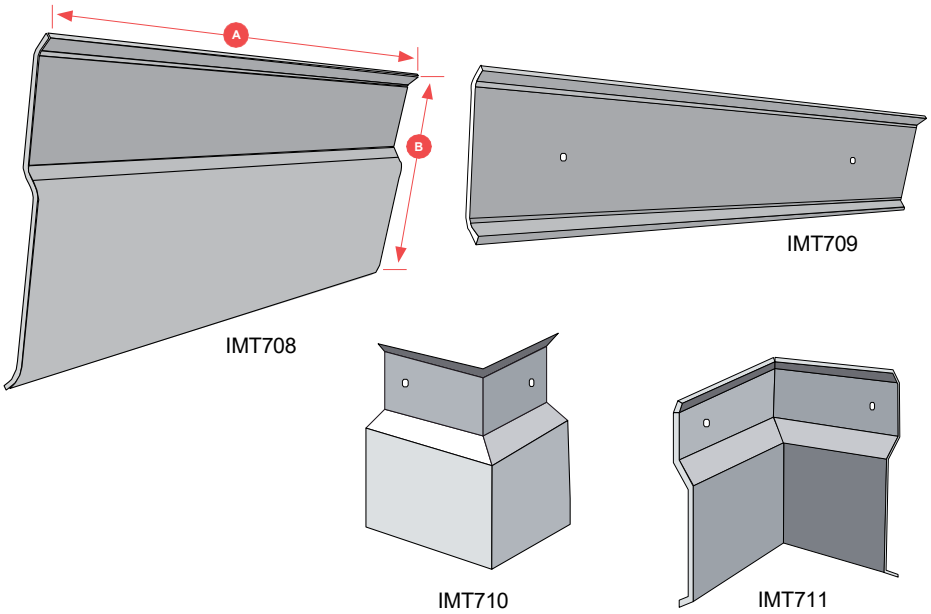


VSC300A

Bituminous Cold Applied Adhesive

Product Code	Description	Size	Weight	M ³	Est. Coverage*	Stocked In
SES302	Easy Paste	20L	20kg	0.03	1.5m ² per litre	AK, WN, ChC
SES303	Easy Paste	10L	10kg	0.015	1.5m ² per litre	
VSC300A	Reinforcing Polyester Bandage	100mm x 100m	N/A	N/A	N/A	

1. *All Coverage Rates are indicative only. Coverage depends on surface texture and condition
 2. Easy Paste can be used to cold apply / glue all Torch-On Base Sheets to any substrate
 3. Apply 2 coats of Easy Paste to cold apply / glue all Peel & Stick Tanking to EPS or XPS substrates
 EG Polyblock



Edge Fasteners and Pressure Bars

Product Code	Description	Finish	Dimensions		Stocked In
			A	B	
IMT708	Termination Flashing Cover Plate	Aluminium	2400mm	140mm	AK
IMT709	Pressure Bar	Aluminium	2400mm	65mm	
IMT710	External Corner	Aluminium	N/A	N/A	
IMT711	Internal Corner	Aluminium	N/A	N/A	

**DISCONTINUED
PRODUCT**

– soon to be replaced
with 1.2m long product
(IMT603)



IMT603A

Bituminous Fillet

Product Code	Description	Size	Qty per Box	Stocked In
IMT603*	Bituminous Fillet	25mm x 25mm x 1.2m	44	AK, WN ChC
IMT603A	Bituminous Fillet	25mm x 25mm x 6.25m	4	
To be used with Torch-On and tanking systems (including Peel & Stick)				
* IMT603 to eventually supersede IMT603a				



VWGG50

Below Ground Rigid Insulation					
Product Code	Description	Thickness	Size	Long-Term R-value	Stocked In
VWGG50	Greenguard Below Ground Rigid Insulation	50mm	600mm x 2.27m	R 1.77	Indent Only
Average R-value over 15 years					