

Viking Peel & Stick – Tanking



SES014



STP918



SES301



SEE015

Peel & Stick (Vertical)

| Product Code | Description | Est. Coverage* | Size | Rolls per Pallet | Origin |
|--------------|--|------------------------|---------------|------------------|--------|
| SEE015 | Peel & Stick (miradri 860) Tanking | | 0.915 x 20.4m | 20 | USA |
| SES301 | Peel & Stick Primer Solvent Based | 80m ² /pail | 19L | | USA |
| SES014 | Tanking Mastic (P&S) | | 890ml | | USA |
| STP918 | Jumbo Gun For Dispensing Tanking Mastic (SES014) | | | | NZ |

*Rates are indicative only. Coverage depends on surface

Viking Torch-On Tanking



SES299



SES013



SEM626

Viking Torch-On Tanking (Vertical)

| Product Code | Description | Coverage | Size | Rolls per Pallet | Origin |
|--------------|---|---------------------------|------------------|------------------|--------|
| SEM626 | Mercury FC Tanking (Cold flex -25°C) | N/A | 4mm x 1.0m x 10m | 23 | Italy |
| SES299** | Torch-On Primer Solvent Based | 4m ² per litre | 20L | | Italy |
| SEM300* | Torch-On Primer Water Based | 4m ² per litre | 20L | | Italy |
| SES013 | Bitumen Sealant | N/A | 300ml | | NZ |

- All Coverage Rates are indicative only. Coverage depends on surface texture and condition
- *Low fumes: slower drying water-based general primer for all substrates, excluding scuppers and fittings etc.
- **High Solvent Fumes: Consider using water-based primer if in restricted working spaces
- Faster drying primer, can be used on all substrates, MUST be used on proprietary fittings

Viking Torch-On Tanking



SEM245a



SEM713

Only sample piece shown

Underslab Tanking (Horizontal)

| Product Code | Description | Coverage | Size | Rolls per Pallet | Origin |
|--------------|--------------------------------------|----------|---------------------|------------------|--------|
| SEM713 | Under-slab (Greentank - Fleece-Back) | N/A | 3.0mm x 1.05m x 15m | 16 | Italy |
| SEM245a | Under-slab Tanking (Ceramic Chip) | N/A | 4mm x 1.0m x 10m | 20 | Italy |

- All Coverage Rates are indicative only. Coverage depends on surface texture and condition
- *Low fumes: slower drying water-based general primer for all substrates, excluding scuppers and fittings etc.
- **High Solvent Fumes: Consider using water-based primer if in restricted working spaces
- Faster drying primer, can be used on all substrates, **MUST** be used on proprietary fittings

Viking Tanking Accessories



SEE016



SEM628

Viking Drainage and Protection Board

| Product Code | Description | Size | Origin |
|--------------|-------------|--------------|--------|
| SEE016 | Miradrain | 1.2m x 15.2m | USA |
| SEM628 | GM Drainage | 2.0m x 20m | Italy |

Either SEE016 or SEM628 can be used for Viking Peel & Stick or Mercury Tanking systems.

Viking Tanking Accessories



SES302



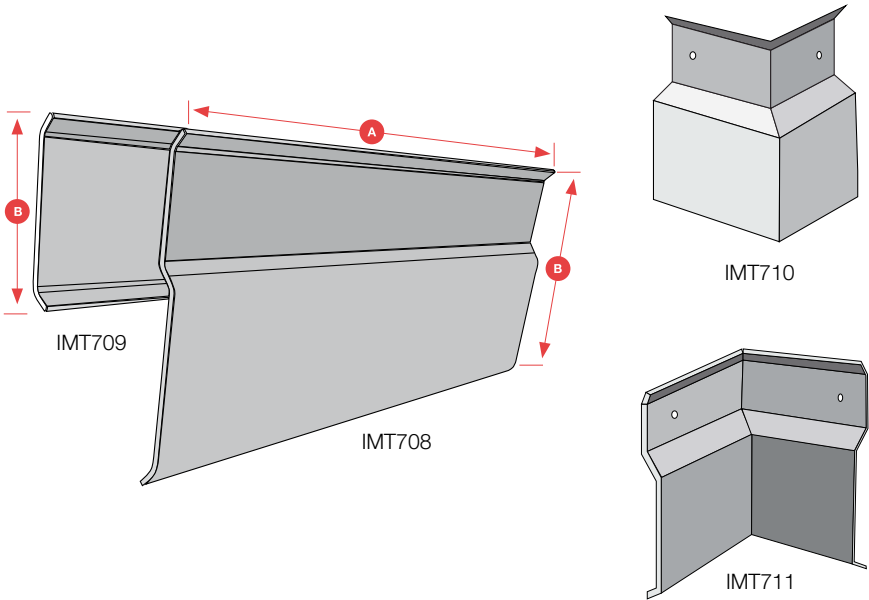
VSC300

Bituminous Cold Applied Adhesive

| Product Code | Description | Size | Weight | M ³ | Est. Coverage* | Origin |
|--------------|----------------------------|-------------|--------|----------------|-----------------------------|--------|
| SES302 | Easy Paste | 20L | 20kg | 0.03 | 1.5m ² per litre | Italy |
| SES303 | Easy Paste | 10L | 10kg | 0.015 | 1.5m ² per litre | Italy |
| VSC300 | Reinforcing Polyester Tape | 100mm x 91m | N/A | N/A | N/A | USA |

- *All Coverage Rates are indicative only. Coverage depends on surface texture and condition
- **Easy Paste can be used to cold apply / glue all Torch-On Base Sheets to any substrate
- *** Apply 2 coats of Easy Paste to cold apply / glue all Peel & Stick Tanking to EPS or XPS substrates. EG Polyblock

Tanking Accessories



Edge Fasteners and Pressure Bars

| Product Code | Description | Finish | Dimensions | |
|--------------|----------------------------------|-----------|------------|-------|
| | | | A | B |
| IMT708 | Termination Flashing Cover Plate | Aluminium | 2400mm | 140mm |
| IMT709 | Pressure Bar | Aluminium | 2400mm | 65mm |
| IMT710 | External Corner | Aluminium | N/A | N/A |
| IMT711 | Internal Corner | Aluminium | N/A | N/A |