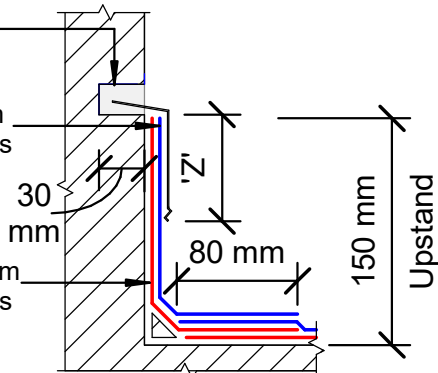


MS Sealant

Viking Torch-on CAP sheet 4mm thick, install as per manufacturers instructions

Viking Torch-on BASE sheet 3mm thick, install as per manufacturers instructions

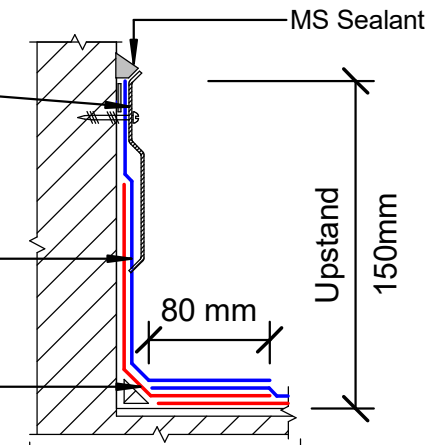


\*Chase termination 'A'

Viking Termination Flashing IMT708 with STP870 water cut-off mastic sealant between membrane and wall for a compression seal

Viking Torch-on CAP sheet 4mm thick, install as per manufacturers instructions

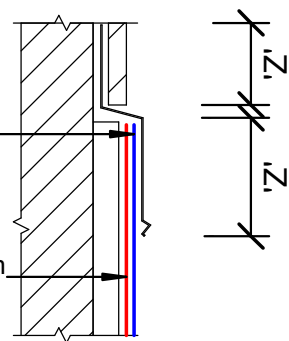
Viking Torch-on BASE sheet 3mm thick, install as per manufacturers instructions



\*Pressure Bar termination 'C'

Viking Torch-on CAP sheet 4mm thick, install as per manufacturers instructions

Viking Torch-on BASE sheet 3mm thick, install as per manufacturers instructions

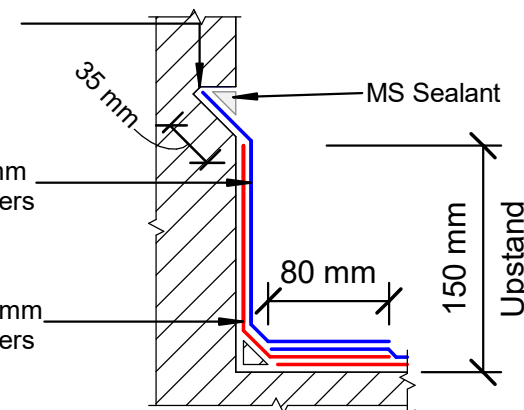


\*Apron Flashing termination 'B'

Cap sheet pushed into 45° chase cut. Seal remaining gap with bituminous compatible sealant.

Viking Torch-on CAP sheet 4mm thick, install as per manufacturers instructions

Viking Torch-on BASE sheet 3mm thick, install as per manufacturers instructions



\*Chase termination 'D'

NOTES:

'Z' = Variable cover according to wind zone refer table 7 E2/AS1  
150mm membrane upstand height where-ever possible

NOTES:

Substrate to comply with current Viking Roofspec Masterspec specification  
Substrate Checksheet available from [www.vikingroofspec.co.nz](http://www.vikingroofspec.co.nz)

DRAWING TITLE

Viking Torch-On  
Apron\_Upstand terminations without cladding

NOTES:

- Viking Waterproof Membrane as notated can be Viking Gemini, Lybra or Phoenix Super.
- All fixings, cladding and structure are indicative only unless notated.



Viking Torch-On systems are CodeMarked

DRAWING

INFORMATION ONLY

Scale:	Date:	Drawn:	Viking
Not to Scale	23/11/2020		
Detail Ref: <b>VIK_TOR_081_APRNUTER</b>			