



SEM345

Gemini APP Torch-On Cap Sheets										
Product Code	Description	Colour	THK	WD	L	Wt	M³	Cold Flexibility	Rolls per pallet	Stocked In
SEM345	Gemini APP Ceramic Cap Sheet	Black	4mm	1.0m	10m	45kg	0.06	-10°C	20	AK,WN
SEM348	Gemini APP Ceramic Cap Sheet	Grey	4mm	1.0m	10m	45kg	0.06	-10°C	20	

1. Recommended for North Island except Volcanic Plateau
 2. Compatible with (i) SEM330 Self-Adhered base sheet (ii) SEM701 Isolink Vented base sheet and (iii) SEM331 Galaxy APAO base sheet



SEM245

Lybra SBS Torch-On Cap Sheets										
Product Code	Description	Colour	THK	WD	L	Wt	M ³	Cold Flexibility	Rolls per pallet	Stocked In
SEM245	Lybra SBS Ceramic Cap Sheet	Black	4mm	1.0m	10m	45kg	0.06	-15°C	20	AK,ChC
SEM248	Lybra SBS Ceramic Cap Sheet	Grey	4mm	1.0m	10m	45kg	0.06	-15°C	20	

1. Recommended for South Island and North Island's Volcanic Plateau
 2. Compatible with (i) SEM330 Self-Adhered base sheet (ii) SEM701 Isolink Vented base sheet and (iii) SEM331 Galaxy APAO base sheet



SEM145

Phoenix Super APAO Torch-On Cap Sheets										
Product Code	Description	Colour	THK	WD	L	Wt	M ³	Cold Flexibility	Rolls per pallet	Stocked In
SEM145	Phoenix Super APAO Ceramic Cap Sheet	Black	4mm	1.0m	10m	55kg	0.06	-35°C	16	AK, WN, ChC
SEM148	Phoenix Super APAO Ceramic Cap Sheet	Grey	4mm	1.0m	10m	55kg	0.06	-35°C	16	
1. Suitable for all Climate Zones throughout NZ 2. Compatible with (i)SEM330 Self-Adhered base sheet (ii) SEM701 Isolink Vented base sheet and (iii) SEM331 Galaxy APAO base sheet										



SEM331



SEM701



SEM330

Base Sheets

Product Code	Description	Colour	THK	WD	L	Wt	M ³	Cold Flexibility	Rolls per pallet	Stocked In
SEM331	Phoenix Galaxy APAO Base Sheet	Black	3mm	1.0m	10m	35kg	0.06	-35°C	28	AK, WN, ChC
SEM330	Self-Adhered Base Sheet	Black	3mm	1.0m	10m	35kg	0.06	-20°C	25	
SEM701	Vented Base Sheet	Black	4mm	1.05m	7.5m	25kg	0.06	-10°C	23	

1. Compatible with all Viking cap sheets except Halley-P
2. Suitable for all Climate Zones throughout NZ



SEM710



SEM712

Halley-P NO-FLAME System (Cap and Base Sheet)

Product Code	Description	Colour	THK	WD	L	Wt	M ³	Cold flex	Rolls per pallet	Stocked In
SEM712	Halley-P Base Sheet	N/A	3mm	1.0m	10m	35kg	0.06	-20°	25	AK, WN, ChC
SEM710	Halley-P Cap Sheet	Black	4mm	1.0m	8m	50kg	0.06	-20°	23	
SEM711	Halley-P Cap Sheet	Grey	4mm	1.0m	8m	50kg	0.06	-20°	23	

1. Halley-P materials are not to be used with any other torch-on membranes
2. Suitable for all Climate Zones throughout NZ



SEM027

Orion Ponti Carpark Membrane

Product Code	Description	Colour	THK	WD	L	Wt	M ³	Cold flex	Rolls per pallet	Stocked In
SEM027	Orion Ponti Carpark Membrane	N/A	4mm	1.0m	10m	45kg	0.06	-15 °	20	AK

This is the waterproofing layer on top of which asphalt mix is poured



SES297



SES299



SES013

Primer, Solvent and Sealant

Product Code	Description	Size	Coverage	Weight	M ³	Stocked In
SES297*	Torch-On Primer – Solvent Based	1L	4m ² per litre	900g	0.01	AK, WN, ChC
SES299*	Torch-On Primer – Solvent Based	20L	4m ² per litre	18kg	0.03	
SES013	Bitumen Sealant	300ml				

1. To be used with Torch-On only
2. *High Solvent Fumes: faster drying primer, can be used on all substrates, **MUST** be used on proprietary fittings



ILD001



ILDCONNECT

Tru Ground Electronic Leak Detection Conductive Primer

Product Code	Description	Size	Est Coverage*	Weight	M ³	Stocked In
ILD001	Leak Detection Conductive Primer	19L	Aprox 110m ²	22Kg	0.03	AK, ChC
ILDCONNECT	Device to connect substrate to leak detection reader					

Rates are indicative only. Coverage depends on the surface treatment condition



SES302



VSC300A

Bituminous Cold Applied Adhesive

Product Code	Description	Size	Weight	M ³	Est. Coverage*	Stocked In
SES302	Easy Paste	20L	20kg	0.03	1.5m ² per litre	AK, WN ChC
SES303	Easy Paste	10L	10kg	0.015	1.5m ² per litre	
VSC300A	Reinforcing Polyester bandage	100mm x 100m				

- *Coverage rates are indicative only. Coverage depends on surface texture and condition
- Easy Paste can be used to cold apply / glue all Torch-On Base Sheets to any substrate particularly on EPS substrates



VCG100A

Crystal Glaze

Product Code	Description	Colour	Size	Weight	M ³	Est. coverage	Stocked In
VCG100	Crystal Glaze	Clear	10L	11kg	0.02	45m ² / pail	AK, ChC
VCG100A	Crystal Glaze	Black	10L	11kg	0.02	45m ² / pail	
VCG100B	Crystal Glaze	Dark Grey	10L	11kg	0.02	45m ² / pail	
VCG100C	Crystal Glaze	Light Grey	10L	11kg	0.02	45m ² / pail	
VCG100D	Crystal Glaze	Medium Grey	10L	11kg	0.02	45m ² / pail	
1. 2 coats required 2. Recoating required every (approx.) 7 years							

DISCONTINUED PRODUCT

– soon to be replaced with 1.2m long product (IMT603)



WHILE STOCKS LAST

IMT603A

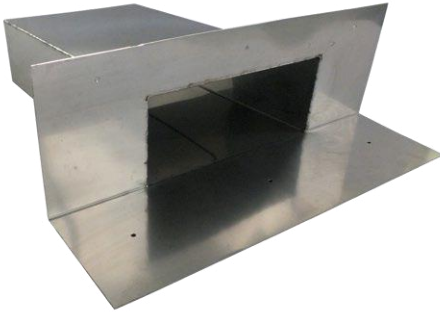
Bituminous Fillet				
Product Code	Description	Size	Qty per Box	Stocked In
IMT603*	Bituminous Fillet	25mm x 25mm x 1.2m	44	AK, WN ChC
IMT603A	Bituminous Fillet	25mm x 25mm x 6.25m	4	
To be used with Torch-On and tanking systems (including Peel & Stick) * IMT603 to eventually supersede IMT603a				



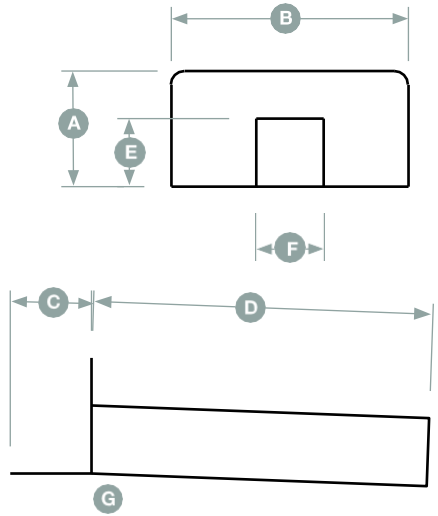
SEM401

Loose Chip

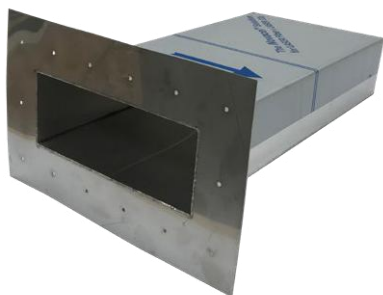
Product Code	Description	Weight	Stocked In
SEM401	Loose Ceramic Chip Black	1.5kg	AK, WN ChC
SEM402	Loose Ceramic Chip Grey	1.5kg	



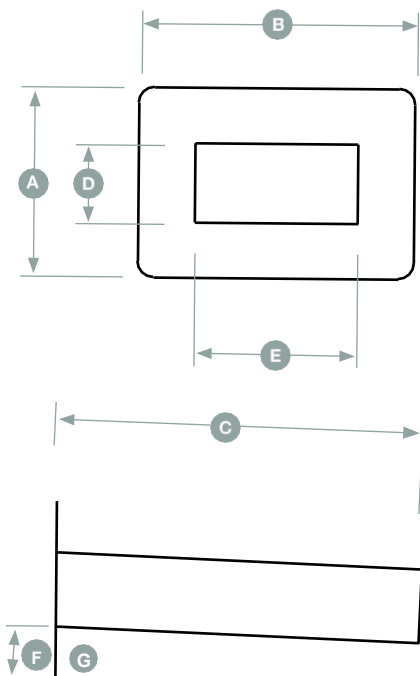
IMT107



Stainless Steel Scuppers				
	Dimensions	IMT107 (E2/AS1 Compliant)	IMT108	Stocked In
A	Face Height	135mm	180mm	AK, WN, ChC
B	Face Width	400mm	260mm	
C	Bottom Face	117mm	108mm	
D	Outlet Length	400mm	300mm	
E	Aperture Height	88mm	100mm	
F	Aperture Width	207mm	100mm	
G	Drain Slope	5°	5°	
Torch-On use only: 1.6mm Stainless Steel 316				



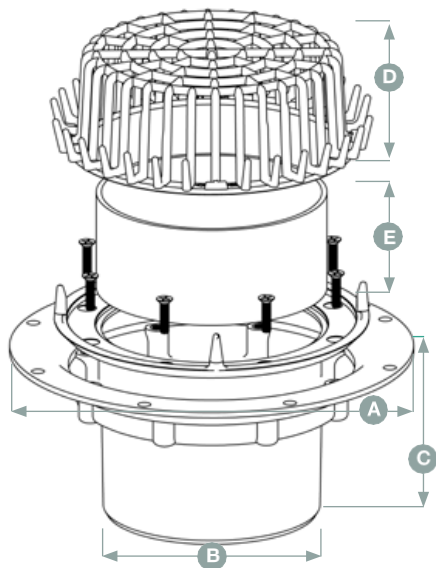
IMT109



Stainless Steel Overflow

	Dimensions	IMT109 (E2/AS1 compliant)	Stocked In
A	Face Height	190mm	AK, WN, ChC
B	Face Width	310mm	
C	Outlet Length	400mm	
D	Aperture Height	88mm	
E	Aperture Width	207mm	
F	Flange Dimension	55mm	
G	Drain Slope	5°	

Torch-On use only: 1.6mm Stainless Steel 316



SDM051

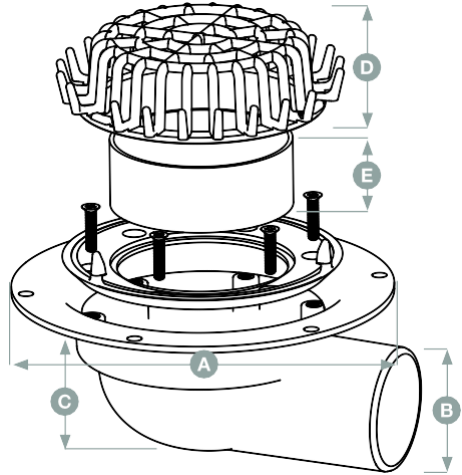
Multi-Purpose Drain or Over-flow

	Dimensions	SDM065	SDM049	SDM051	Stocked In
A	Flange Diameter	170mm	230mm	280mm	AK, WN, ChC
B	Downpipe Diameter	65mm	80 / 100mm	150mm	
C	Drain Depth	80mm	120mm	120mm	
D	Grate Height	33mm	44mm	74mm	
E	Overflow Collar Height	30mm	38mm	69mm	

Can be used with all membrane types



SDM055



Multi-Purpose Drain or Over-flow Side Exit Pipe

	Dimensions	SDM055	Stocked In
A	Flange Diameter	230mm	AK, WN, ChC
B	Side Exit Pipe Diameter	80mm	
C	Drain Depth	100mm	
D	Grate Height	44mm	
E	Overflow Collar Height	38mm	

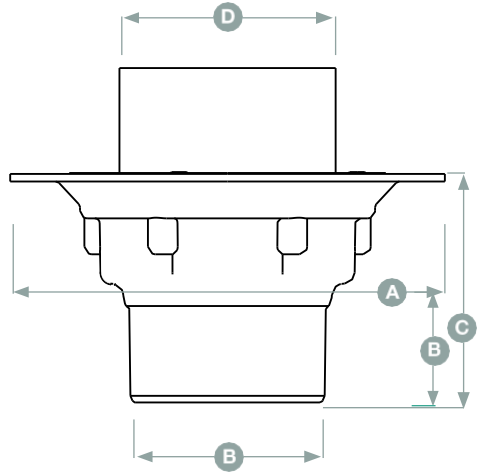
Can be used with all membrane types



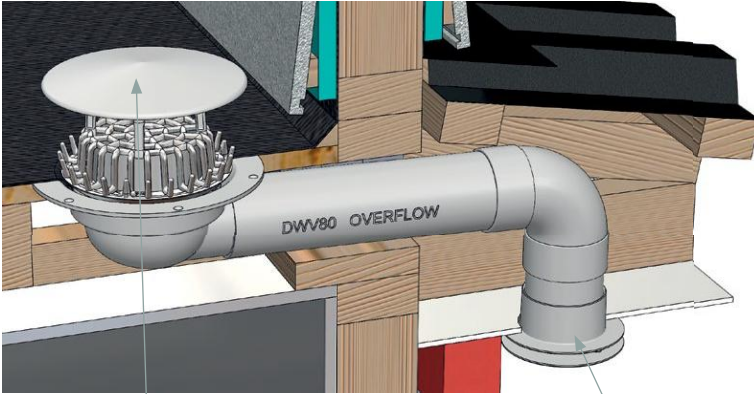
SDM066C2



SDM066



Inter-balcony Drains-Vented						
	Dimensions	SDM066C	SDM066	SDM066A	SDM066B	Stocked In
A	Flange Diameter	175mm	175mm	230mm	282mm	AK, WN, ChC
B	Outlet Diameter	65mm	80mm	100mm	150mm	
C	Drain Depth	75mm	83mm	117mm	118mm	
D	Junction Diameter	70mm	83mm	111mm	161mm	
Inter-balcony Drains-Non vented						
	Dimensions	SDM065C1	SDM066C2	SDM066D		Stocked In
A	Flange Diameter	175mm	175mm	230mm		AK, WN, ChC
B	Outlet Diameter	65mm	80mm	100mm		
C	Drain Depth	75mm	83mm	117mm		
D	Junction Diameter	70mm	83mm	111mm		



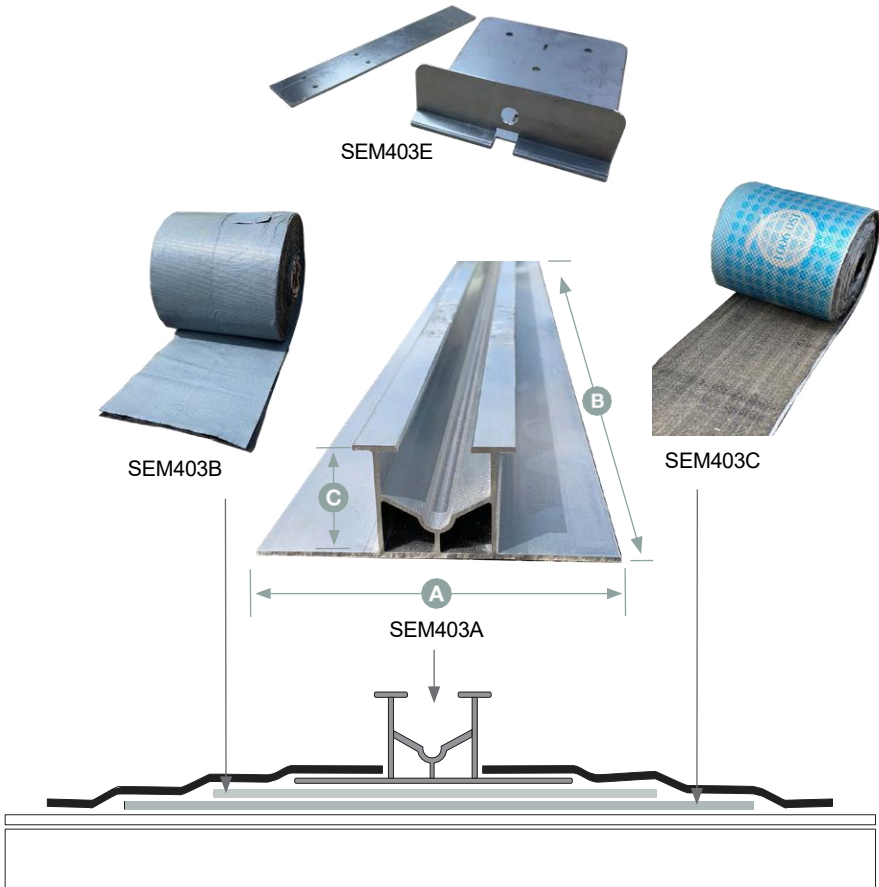
SDM063



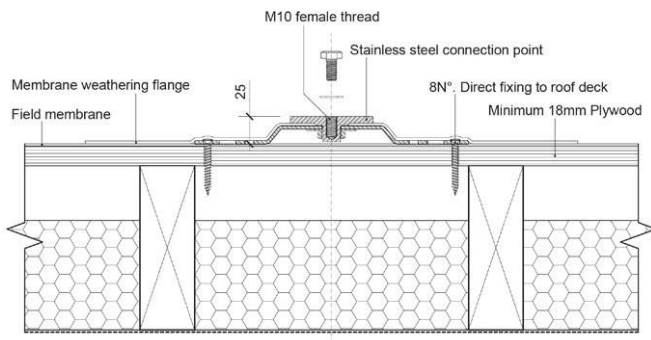
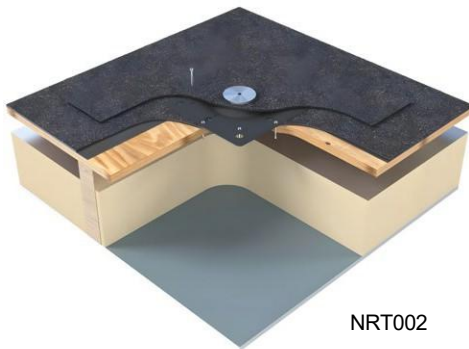
SDM060

Overflow Soffit Trims and Hats

Product code	Description	Stocked In
SDM062	Soffit Trim 65mm	AK, WN, ChC
SDM060	Soffit Trim 80mm	
SDM061	Soffit Trim 100mm	
SDM064	Overflow Hat 65mm	
SDM063	Overflow Hat 80/100mm	
SDM063B	Overflow Hat 150mm	



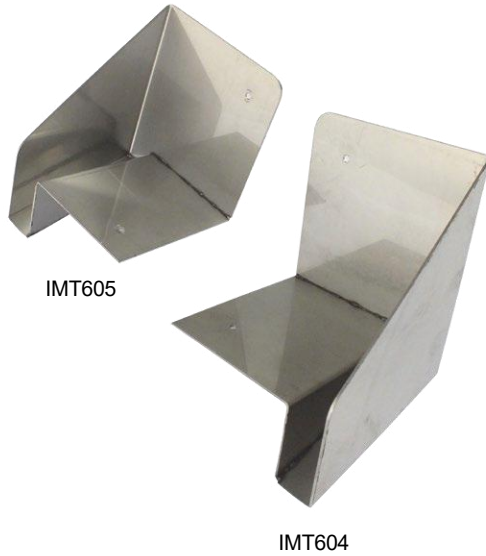
Evo Solar Mount System					
Product Code	Description	A	B	C	Stocked In
SEM403A	Aluminium Mount	120mm	2.0m	40mm	AK
SEM403B	Base Sheet Strip	250mm	10.0mm	3mm	
SEM403C	Second Layer Strip	180mm	10.0mm	3mm	
SEM403D	Cap Sheet Flank Strips	200mm	10.0m	4mm	
SEM403E	General Downstream Bracket	130mm	170mm	45mm	



Rooftrak Anchor System*

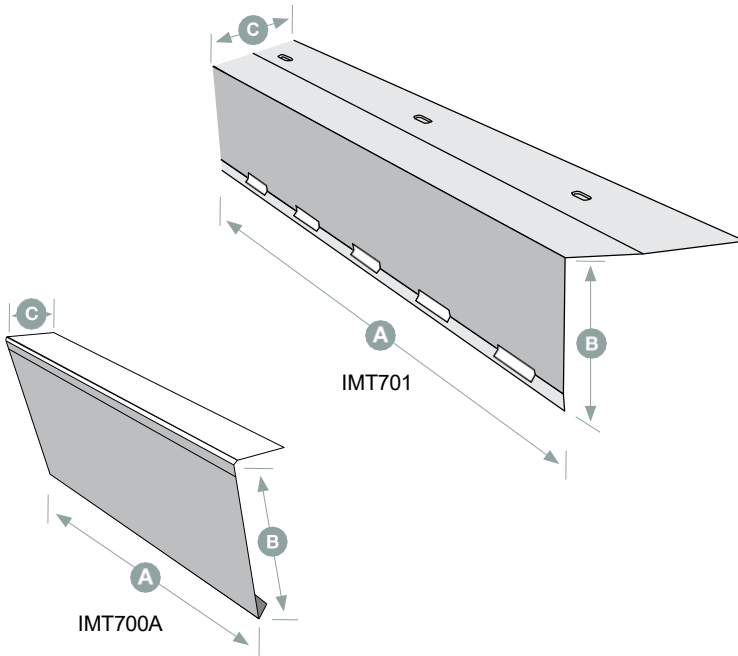
Product Code	Description	Dimensions	Membrane Type	Stocked In
NRT002	Anchor for Mounting Plant (Pre-applied Membrane Flange)	250mm x 250mm x 25mm Height	Torch-On	AK

*For mounting plant on roofs or adding on walls



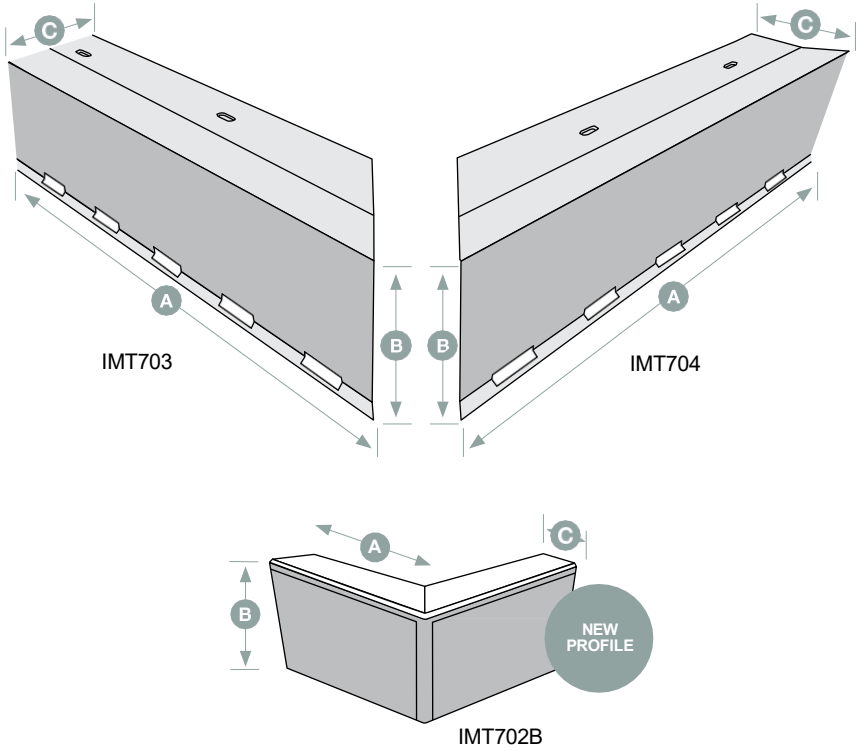
Stainless Steel Diverters

Product Code	Description	Dimensions	Stocked In
IMT604	Kick-out Diverter – Right Hand	93mm x 93mm x 93mm	AK
IMT605	Kick-out Diverter – Left Hand	93mm x 93mm x 93mm	
Torch-On use only: 1.6mm Stainless Steel 316			

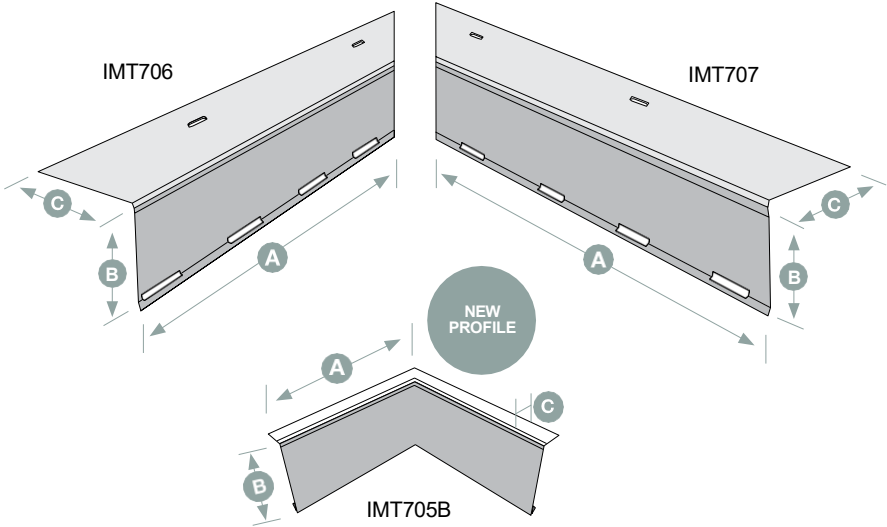


Straight Flashing

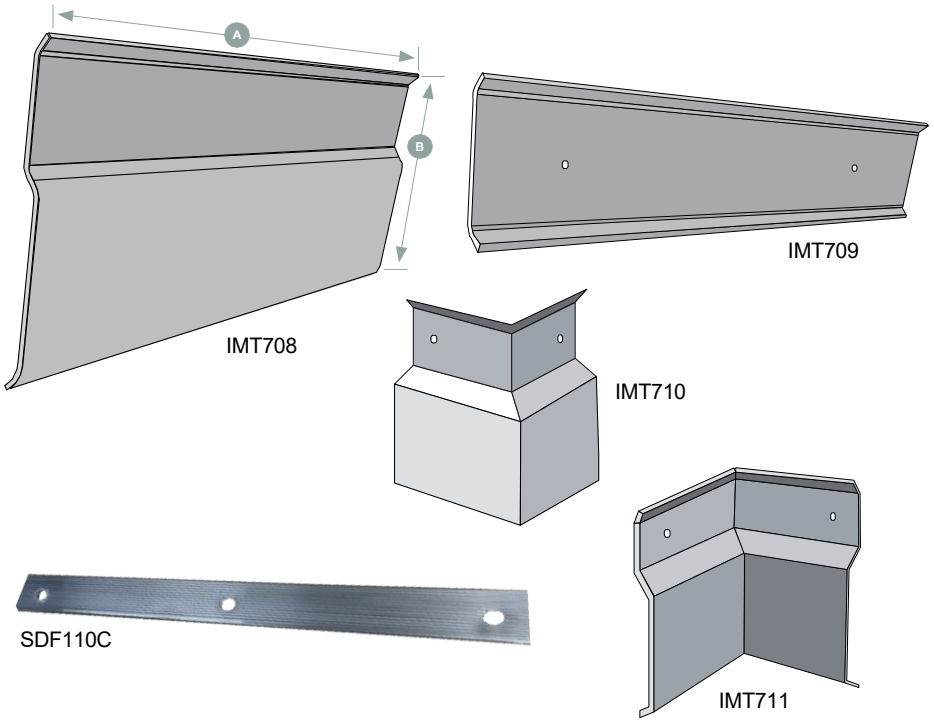
Product Code	Description	Finish	Dimensions			Stocked In
			A	B	C	
IMT700A	Straight Cover	1.6mm Alum. mill Finish	2400mm	110mm	32mm	AK
IMT701	Straight Base	1.6mm Alum. mill Finish	2400mm	103mm	92mm	



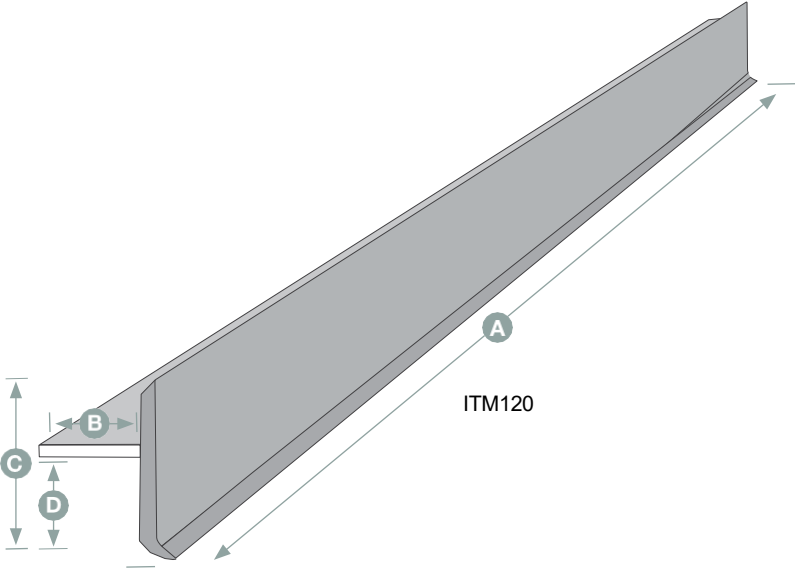
External Corner						
Product Code	Description	Finish	Dimensions			Stocked In
			A	B	C	
IMT702B	External Cnr Cover	1.6mm Alum. mill Finish	195mm	110mm	32mm	AK
IMT703	LH External Cnr Base	1.6mm Alum. mill Finish	487mm	103mm	92mm	
IMT704	RH External Cnr Base	1.6mm Alum. mill Finish	487mm	103mm	92mm	



Internal Corner						
Product Code	Description	Finish	Dimensions			Stocked In
			A	B	C	
IMT705B	Internal Cnr Cover	1.6mm Alum. mill Finish	200mm	110mm	32mm	AK
IMT706	LH Internal Cnr Base	1.6mm Alum. mill Finish	487mm	103mm	92mm	
IMT707	RH Internal Cnr Base	1.6mm Alum. mill Finish	487mm	103mm	92mm	



Edge Fasteners and Pressure Bars					
Product Code	Description	Finish	Dimensions		Stocked In
			A	B	
IMT708	Termination Flashing Cover Plate	Aluminium	2400mm	140mm	AK
IMT709	Pressure Bar	Aluminium	2400mm	65mm	
IMT710	External Corner	Aluminium	N/A	N/A	
IMT711	Internal Corner	Aluminium	N/A	N/A	
SDF110C	Edge Fastener	Silver (Alum)	3050mm	25mm	



W.M.A.I. Aluminium Drip Edge						
Product Code	Description	Dimensions				Stocked In
		A	B	C	D	
IMT720	Aluminium Drip Edge	3000mm	42.3mm	66mm	50mm	AK



SEM800a



SEM901



SEM902



SEM903



SEM904

Torch-On Roofing Tools

Product Code	Description	Stocked In
SEM800a	Cyclone Burner Nozzle 25mm	AK
SEM901	Torch Kit (Roofstar - Titanium)	
SEM902	Torch Nozzle (Double bell head 50mm)	
SEM903	Titanium Lance 600mm	
SEM904	Titanium Handle (swivel connection)	



SEM905



SEM907



SEM906



SEM909



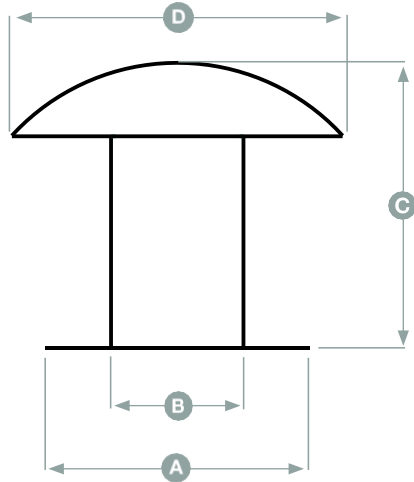
SEM908

Torch-On Roofing Tools

Product Code	Description	Stocked In
SEM905	Rubber Hose (sold per metre)	AK
SEM906	Torch Nozzle (single head 50mm)	
SEM907	Regulator with Safety Valve	
SEM908	Torch Stands	
SEM909	Handles with Swivel Connections	



IMV113



Roof Vents				
	Dimensions	IMV111	IMV113	Stocked In
A	Flange Diameter	200mm	200mm	AK, WN, ChC
B	Vent Diameter	100mm	100mm	
C	Vent Height	215mm	120mm	
D	Cap Diameter	250mm	250mm	
	Cap Colour	Grey*	Grey*	
1. Can be used with all membrane types except Dec-K-ing 2. *If black domes are required, please inform Customer Services				



SRG003C

Membrane Protection Mat

Product Code	Description	Size	Stocked In
SRG003C	Membrane Protection Mat*	4.0m wide	AK, ChC
To be used with all membranes (*Sold cut-to-length)			