

Viking Torch-On



SEM345

Gemini APP Torch-On Cap Sheets

Product Code	Description	Colour	THK	WD	L	Wt	M ³	Cold Flexibility	Origin	Rolls per pallet
SEM345	Gemini APP Ceramic Cap Sheet	Black	4mm	1.0m	10m	45kg	0.06	-10°C	Italy	20
SEM348	Gemini APP Ceramic Cap Sheet	Grey	4mm	1.0m	10m	45kg	0.06	-10°C	Italy	20

Recommended for North Island except Volcanic Plateau (Suitable for climate Zones 1 and 2)
 Compatible with (i) SEM330 Self-Adhered base sheet (ii) SEM701 Isolink Vented base sheet and (iii) SEM331 Galaxy APAO base sheet

Viking Torch-On



SEM245

Lybra SBS Torch-On Cap Sheets

Product Code	Description	Colour	THK	WD	L	Wt	M ³	Cold Flexibility	Origin	Rolls per pallet
SEM245	Lybra SBS Ceramic Cap Sheet	Black	4mm	1.0m	10m	45kg	0.06	-15°C	Italy	20
SEM248	Lybra SBS Ceramic Cap Sheet	Grey	4mm	1.0m	10m	45kg	0.06	-15°C	Italy	20

Recommended for South Island and North Island's Volcanic Plateau
(Suitable for climate Zone 3)

Compatible with (i) SEM330 Self-Adhered base sheet (ii) SEM701 Isolink Vented base sheet and (iii) SEM331 Galaxy APAO base sheet

Viking Torch-On



SEM145

Phoenix Super APAO Torch-On Cap Sheets

Product Code	Description	Colour	THK	WD	L	Wt	M ³	Cold Flexibility	Origin	Rolls per pallet
SEM145	Phoenix Super APAO Ceramic Cap Sheet	Black	4mm	1.0m	10m	55kg	0.06	-35°C	Italy	16
SEM148	Phoenix Super APAO Ceramic Cap Sheet	Grey	4mm	1.0m	10m	55kg	0.06	-35°C	Italy	16

Suitable for all Climate Zones

Compatible with (i)SEM330 Self-Adhered base sheet (ii) SEM701 Isolink Vented base sheet and (iii) SEM331 Galaxy APAO base sheet

Viking Torch-On



SEM331



SEM701



SEM330

Base Sheets

Product Code	Description	Colour	THK	WD	L	Wt	M ³	Cold Flexibility	Origin	Rolls per pallet
SEM331	Phoenix Galaxy APAO Base Sheet	Black	3mm	1.0m	10m	35kg	0.06	-35°C	Italy	28
SEM330	Self-Adhered Base Sheet	Black	3mm	1.0m	10m	35kg	0.06	-20°C	Italy	25
SEM701	Vented Base Sheet	Black	3mm	1.05m	7.5m	25kg	0.06	-10°C	Italy	23

Compatible with all Viking cap sheets except Halley-P'

Viking Torch-On



SEM710



SEM712

Halley 'P' NO-FLAME System (Cap and Base Sheet)

Product Code	Description	Colour	THK	WD	L	Wt	M³	Cold flex	Origin	Rolls per pallet
SEM712	Halley 'P' Base Sheet	N/A	3mm	1.0m	10m	35kg	0.06	-20°	Italy	25
SEM710	Halley 'P' Cap Sheet	Black	4mm	1.0m	8m	50kg	0.06	-20°	Italy	23
SEM711	Halley 'P' Cap Sheet	Grey	4mm	1.0m	8m	50kg	0.06	-20°	Italy	23

Halley P materials are not to be used with any other torch-on membranes

Viking Torch-On



SEM027

Orion Ponti Carpark Membrane

Product Code	Description	Colour	THK	WD	L	Wt	M ³	Cold flex	Origin	Rolls per pallet
SEM027	Orion Ponti Carpark Membrane	N/A	4mm	1.0m	10m	45kg	0.06	-15 °	Italy	20

This is the waterproofing layer on top of which asphalt mix is poured

Viking Torch-On Accessories



SES297



SES299



SES300



SES013

Primer, Solvent and Sealant

Product Code	Description	Size	Coverage	Weight	M ³	Origin
SES297**	Torch-On Primer – Solvent Based	1L	4m ² per litre	900g	0.01	Italy
SES299**	Torch-On Primer – Solvent Based	20L	4m ² per litre	18kg	0.03	Italy
SES300*	Torch-On Primer – Water Based	20L	4m ² per litre	18kg	0.03	Italy
SES013	Bitumen Sealant	300ml				NZ

- To be used with Torch-On only
- *Low fumes: slower drying water-based general primer for all substrates, excluding scuppers and fittings etc.
- **High Solvent Fumes: faster drying primer, can be used on all substrates, MUST be used on proprietary fittings.

Viking Torch-On Accessories



SES302



VSC300

Bituminous Cold Applied Adhesive

Product Code	Description	Size	Weight	M ³	Est. Coverage*	Origin
SES302	Easy Paste	20L	20kg	0.03	1.5m ² per litre	Italy
SES303	Easy Paste	10L	10kg	0.015	1.5m ² per litre	Italy
VSC300	Reinforcing Polyester Tape	100mm x 91m				USA

*Rates are indicative only. Coverage depends on surface texture and condition

Easy Paste can be used to cold apply / glue all Torch-On Base Sheets to any substrate particularly on EPS substrates

Viking Torch-On Accessories



VCG100a

Crystal Glaze							
Product Code	Description	Colour	Size	Weight	M ³	Est. coverage	Origin
VCG100	Crystal Glaze	Clear	10L	11kg	0.02	45m ² / pail	NZ
VCG100a	Crystal Glaze	Black	10L	11kg	0.02	45m ² / pail	NZ
<ul style="list-style-type: none"> - Two coats required - Recoating required every (approx.) 7 years 							

Viking Torch-On Accessories



IMT603

Bituminous Fillet				
Product Code	Description	Size	Qty per Box	Origin
IMT603	Bituminous Fillet	25mm x 25mm x 1.2m	44	Italy
To be used with Torch-On and tanking systems (including Peel & Stick)				

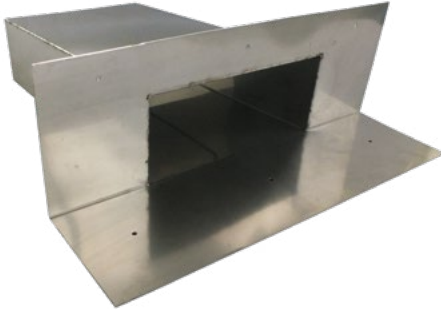
Viking Torch-On Accessories



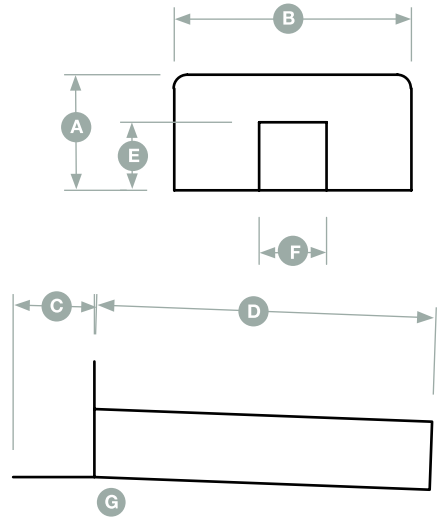
SEM401

Loose Chip		
Product Code	Description	Weight
SEM401	Loose Ceramic Chip Black	1.5kg
SEM402	Loose Ceramic Chip Grey	1.5kg

Viking Torch-On Accessories



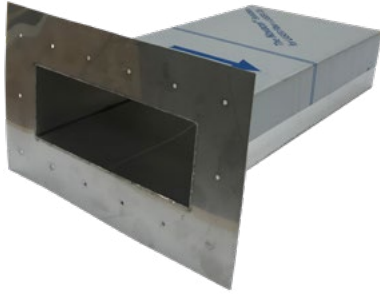
IMT107



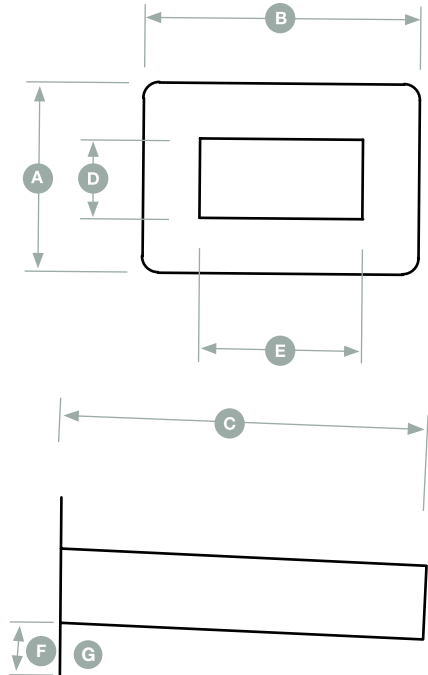
Stainless Steel Scuppers				
	Dimensions	IMT107 (E2/AS1 Compliant)	IMT108	Origin
A	Face Height	135mm	180mm	NZ
B	Face Width	400mm	260mm	NZ
C	Bottom Face	117mm	108mm	NZ
D	Outlet Length	400mm	300mm	NZ
E	Aperture Height	88mm	100mm	NZ
F	Aperture Width	207mm	100mm	NZ
G	Drain Slope	5°	5°	NZ

Torch-On use only: 1.6mm Stainless Steel 316

Viking Torch-On Accessories



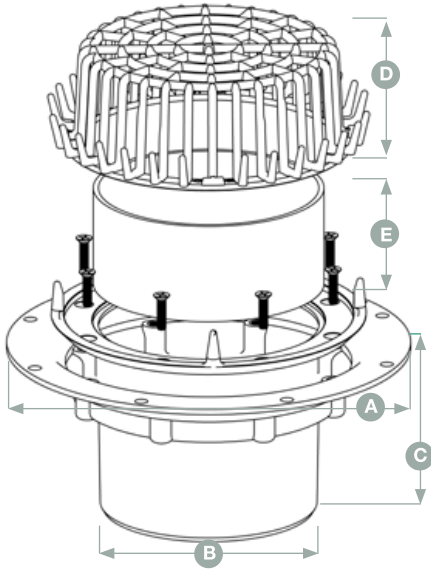
IMT109



Stainless Steel Overflow			
	Dimensions	IMT109	Origin
A	Face Height	190mm	NZ
B	Face Width	310mm	NZ
C	Outlet Length	400mm	NZ
D	Aperture Height	88mm	NZ
E	Aperture Width	207mm	NZ
F	Flange Dimension	55mm	NZ
G	Drain Slope	5°	NZ

Torch-On use only: 1.6mm Stainless Steel 316

Viking Torch-On Accessories



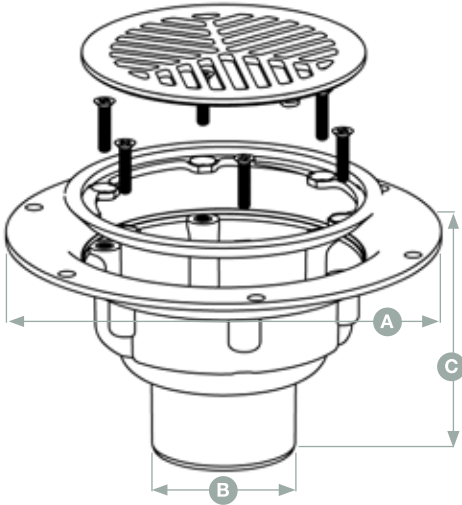
SDM051

Dual-Purpose Drain or Over-flow

	Dimensions	SDM065	SDM049	SDM051	Origin
A	Flange Diameter	170mm	230mm	280mm	NZ
B	Downpipe Diameter	65mm	80 / 100mm	150mm	NZ
C	Drain Depth	80mm	120mm	120mm	NZ
D	Grate Height	33mm	44mm	74mm	NZ
E	Overflow Collar Height	30mm	38mm	69mm	NZ

Can be used with all membrane types

Viking Torch-On Accessories



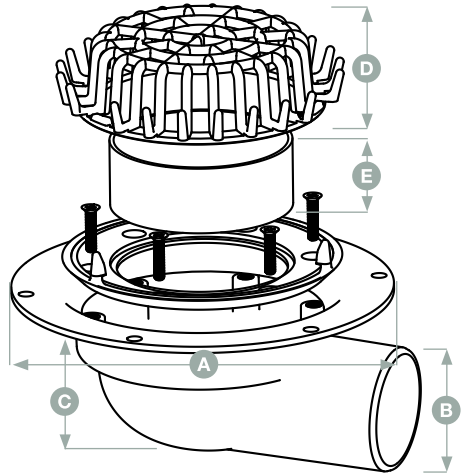
SDM050

Deck Drain with Grill				
	Dimensions	SDM050b	SDM050	Origin
A	Flange Diameter	170mm	230mm	NZ
B	Downpipe Diameter	65mm	80 / 100mm	NZ
C	Drain Depth	80mm	120mm	NZ
Can be used with all membrane types				

Viking Torch-On Accessories



SDM055



Dual-Purpose Drain or Over-flow Side Exit Pipe

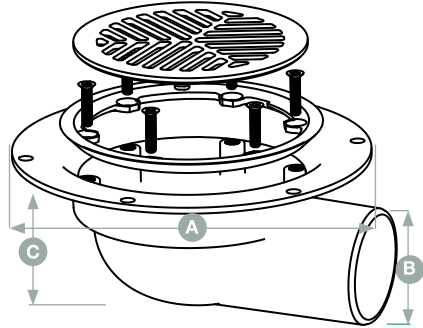
	Dimensions	SDM055	Origin
A	Flange Diameter	230mm	NZ
B	Side Exit Pipe Diameter	80mm	NZ
C	Drain Depth	100mm	NZ
D	Grate Height	44mm	NZ
E	Overflow Collar Height	38mm	NZ

Can be used with all membrane types

Viking Torch-On Accessories



SDM056



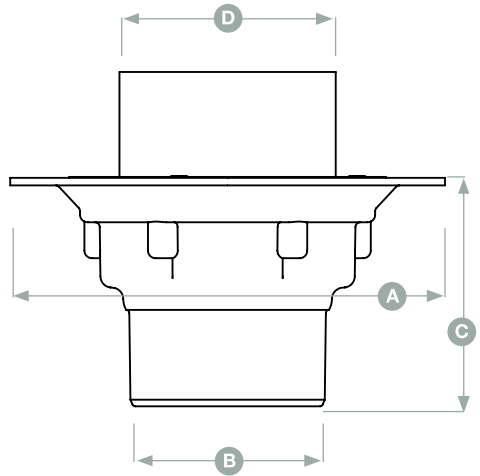
Deck Drain with Side Exit Pipe

	Dimensions	SDM056	Origin
A	Flange Diameter	230mm	NZ
B	Side Exit Pipe Diameter	80mm	NZ
C	Drain Depth	100mm	NZ
Can be used with all membrane types			

Viking Torch-On Accessories

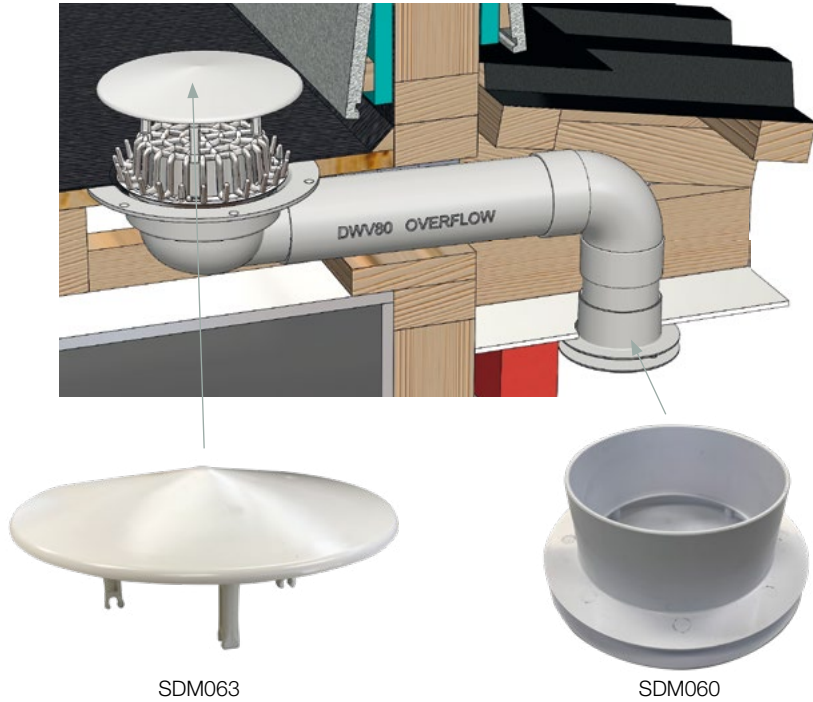


SDM066



Inter-Balcony Drains - Vented						
	Dimensions	SDM066c	SDM066	SDM066a	SDM066b	Origin
A	Flange Diameter	175mm	175mm	230mm	282mm	NZ
B	Outlet Diameter	65mm	80mm	100mm	150mm	NZ
C	Drain Depth	75mm	83mm	117mm	118mm	NZ
D	Junction diameter	70mm	83mm	111mm	161mm	NZ

Viking Torch-On Accessories



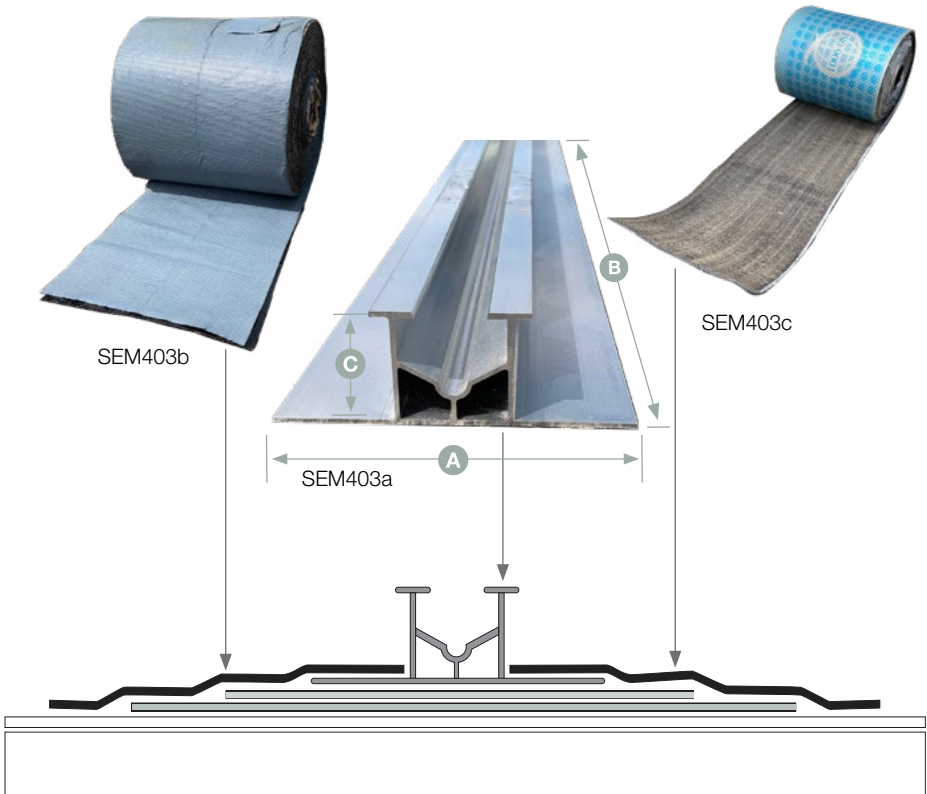
SDM063

SDM060

Overflow Soffit Trims and Hats

Product code	Description	Origin
SDM062	Soffit trim 65mm	NZ
SDM060	Soffit Trim 80mm	NZ
SDM061	Soffit Trim 100mm	NZ
SDM064	Overflow Hat 65mm	NZ
SDM063	Overflow Hat 80/100mm	NZ
SDM063b	Overflow Hat 150mm	NZ

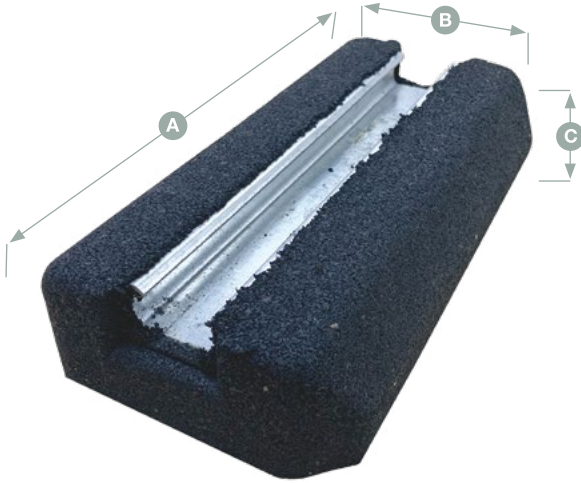
Viking Torch-On Accessories



Evo Solar Mount System

Product Code	Description	A	B	C	Origin
SEM403a	Aluminium Mount	120mm	2.0m	40mm	Italy
SEM403b	Base Sheet Strip	250mm	10.0mm	3mm	Italy
SEM403c	Second Layer Strip	180mm	10.0mm	3mm	Italy
SEM403d	Cap Sheet Flank Strips	200mm	10.0m	4mm	Italy

Viking Torch-On Accessories



ACM250

Acoustic Mounting Block					
Product Code	Description	A	B	C	Origin
ACM250	Acoustic Mounting Block	250mm	130mm	50mm	NZ
ACM400	Acoustic Mounting Block	400mm	130mm	50mm	NZ
Can be used with all membrane types					

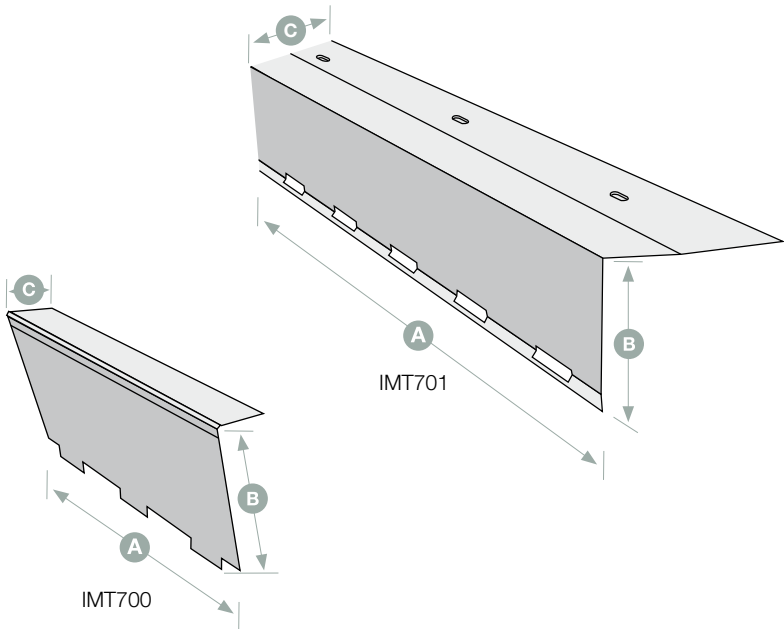
Viking Torch-On Accessories



Stainless Steel Diverters

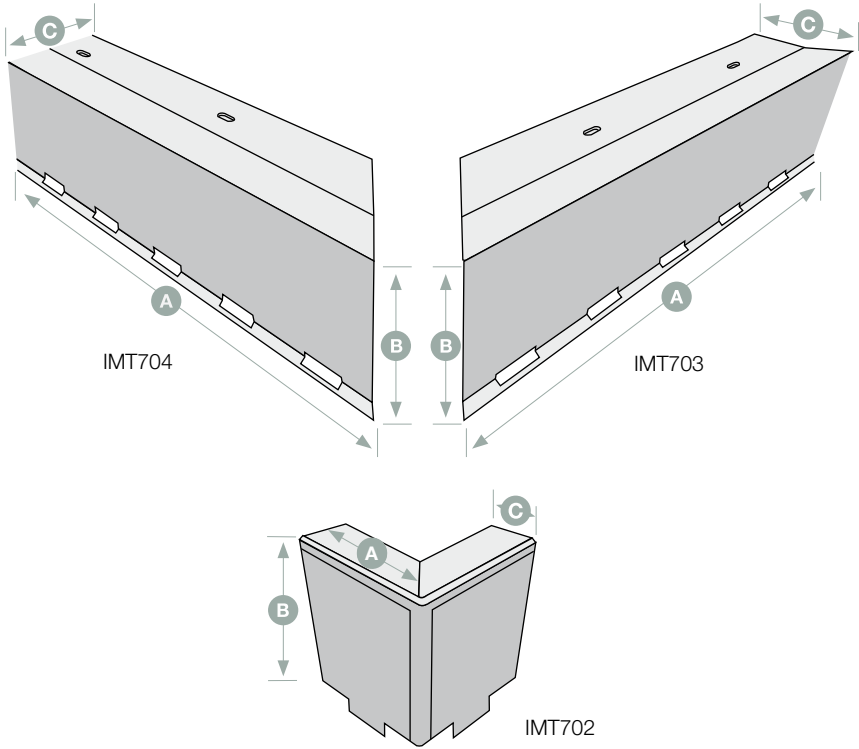
Product Code	Description	Dimensions	Origin
IMT604	Kick-out Diverter – Right Hand	93mm x 93mm x 93mm	NZ
IMT605	Kick-out Diverter – Left Hand	93mm x 93mm x 93mm	NZ
Torch-On use only: 1.6mm Stainless Steel 316			

Architectural Finishing Series



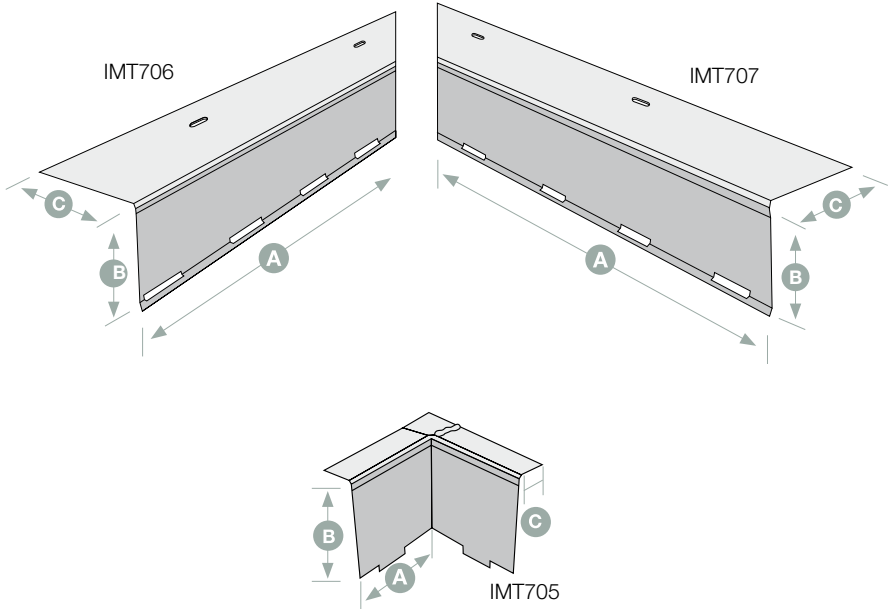
Straight Flashing					
Product Code	Description	Finish	Dimensions		
			A	B	C
IMT700	Straight Cover	1.6mm Alum. mill Finish	2400mm	110mm	32mm
IMT701	Straight Base	1.6mm Alum. mill Finish	2400mm	103mm	92mm

Architectural Finishing Series



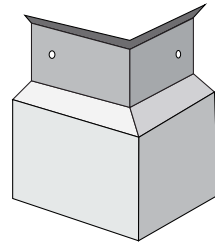
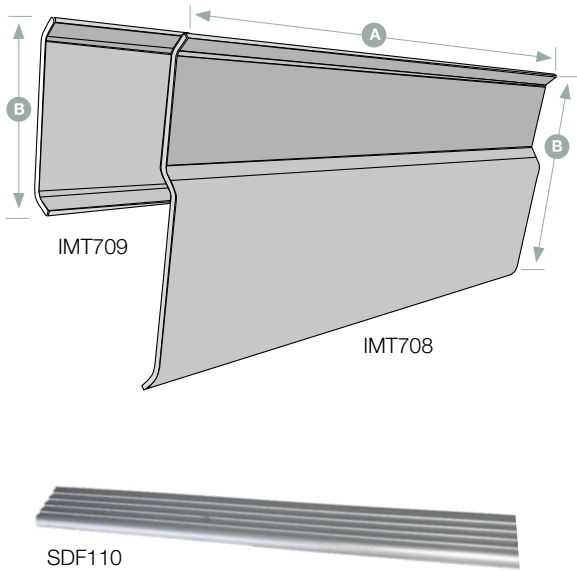
External Corner					
Product Code	Description	Finish	Dimensions		
			A	B	C
IMT702	External Cnr Cover	1.6mm Alum. mill Finish	88mm	110mm	32mm
IMT703	LH External Cnr Base	1.6mm Alum. mill Finish	487mm	103mm	92mm
IMT704	RH External Cnr Base	1.6mm Alum. mill Finish	487mm	103mm	92mm

Architectural Finishing Series

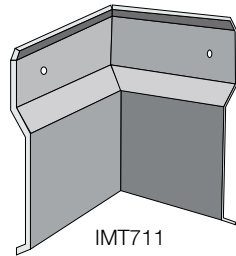


Internal Corner					
Product Code	Description	Finish	Dimensions		
			A	B	C
IMT705	Internal Cnr Cover	1.6mm Alum. mill Finish	90mm	110mm	32mm
IMT706	LH Internal Cnr Base	1.6mm Alum. mill Finish	487mm	103mm	92mm
IMT707	RH Internal Cnr Base	1.6mm Alum. mill Finish	487mm	103mm	92mm

Viking Torch-On Accessories



IMT710

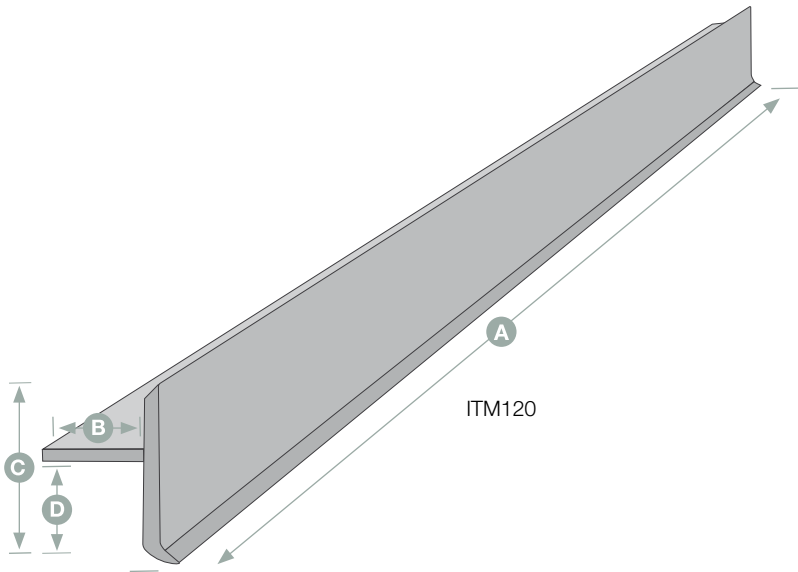


IMT711

Edge Fasteners and Pressure Bars

Product Code	Description	Finish	Dimensions	
			A	B
IMT708	Termination Flashing Cover Plate	Aluminium	2400mm	140mm
IMT709	Pressure Bar	Aluminium	2400mm	65mm
IMT710	External Corner	Aluminium	N/A	N/A
IMT711	Internal Corner	Aluminium	N/A	N/A
SDF110	Dual Purpose edge fastener	Grey(alum)	2400mm	25mm

Viking Torch-On Accessories



W.M.A.I. Aluminium Drip Edge

Product Code	Description	Dimensions			
		A	B	C	D
IMT720	Aluminium Drip Edge	3000mm	42.3mm	66mm	50mm

Viking Torch-On Roofing Tools



SEM800



SEM901



SEM902



SEM903



SEM904

Torch-On Roofing Tools

Product Code	Description	Country of Origin
SEM800	Cyclone Burner Nozzle 22mm	Italy
SEM901	Torch Kit (Roofstar - Titanium)	Italy
SEM902	Torch Nozzle (Double bell head 50mm)	Italy
SEM903	Titanium Lance 600mm	Italy
SEM904	Titanium Handle (swivel connection)	Italy

Viking Torch-On Accessories



SEM905



SEM906



SEM907



SEM909

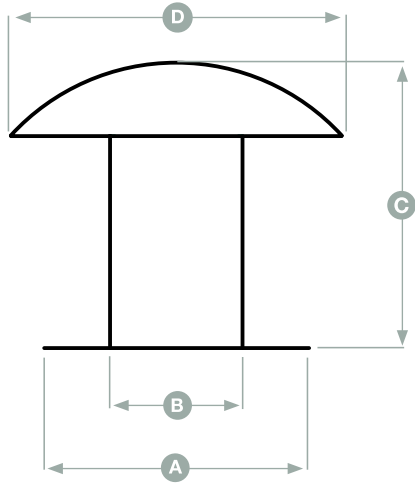
Torch-On Roofing Tools

Product Code	Description	Country of Origin
SEM905	Rubber Hose (sold per metre)	Italy
SEM906	Torch Nozzle (single head 50mm)	Italy
SEM907	Regulator with safety valve	Italy
SEM908	Torch Stands	Italy
SEM909	Handles with swivel connections	Italy

Viking Torch-On Accessories



IMV113



Roof Vents				
	Dimensions	IMV111	IMV113	Origin
A	Flange Diameter	200mm	200mm	NZ
B	Vent Diameter	100mm	100mm	NZ
C	Vent Height	215mm	120mm	NZ
D	Cap Diameter	250mm	250mm	NZ
	Cap Colour	Grey*	Grey*	NZ
<ul style="list-style-type: none"> - Can be used with all membrane types except Dec-K-ing - *If white or black domes are required, please inform Customer Services 				

Viking Torch-On Accessories



SRG003C

Membrane Protection Mat			
Product Code	Description	Size	Origin
SRG003C	Membrane Protection Mat*	4.0m wide	USA
To be used with all Membranes (* Sold cut-to-length)			