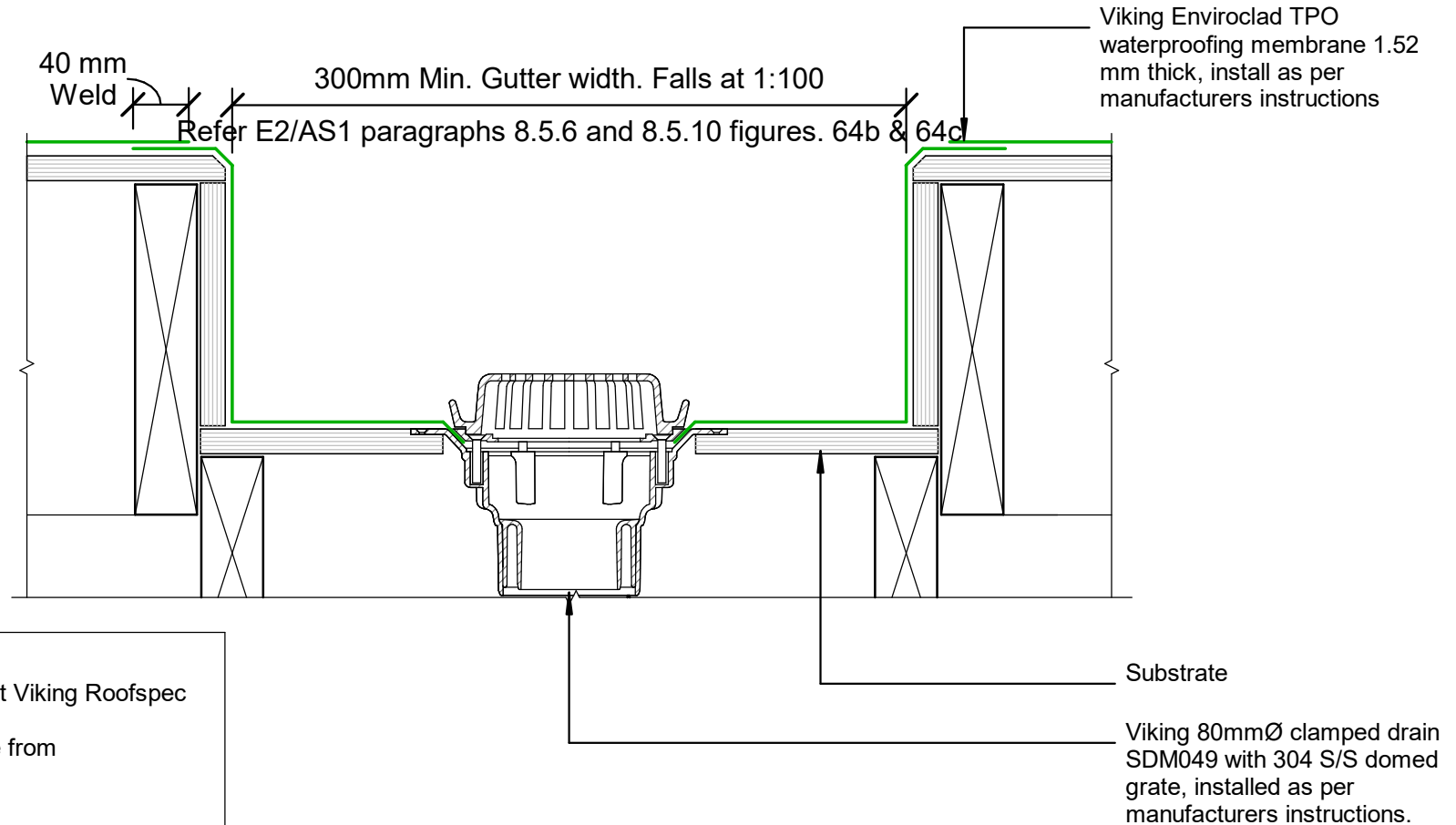


NOTE: It is Viking Roofspecs view that Internal Gutters can be eliminated in many cases. In doing so you could reduce the overall heights or increase roof falls while reducing risk and details. To find out more refer to Detail Notes\_Best Practice Design in Membrane Roofing



NOTE:  
Substrate to comply with current Viking Roofspec Masterspec specification  
Substrate Checksheet available from [www.vikingroofspec.co.nz](http://www.vikingroofspec.co.nz)

DRAWING TITLE

Viking Enviroclad  
Internal Gutter\_with outlet

NOTES:

- \* Angle fillets are not required at upstands for Enviroclad
- \* All fixings, cladding and structure are indicative only unless notated



Enviroclad systems are CodeMarked

DRAWING

INFORMATION ONLY

Scale:	Date:	Drawn:	Viking
Not to Scale	23/11/2020		
Detail Ref: <b>VIK_ENV_050_GUTTOUTL</b>			