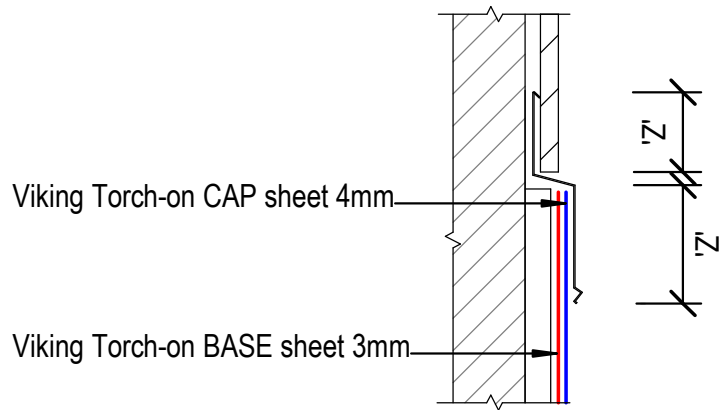
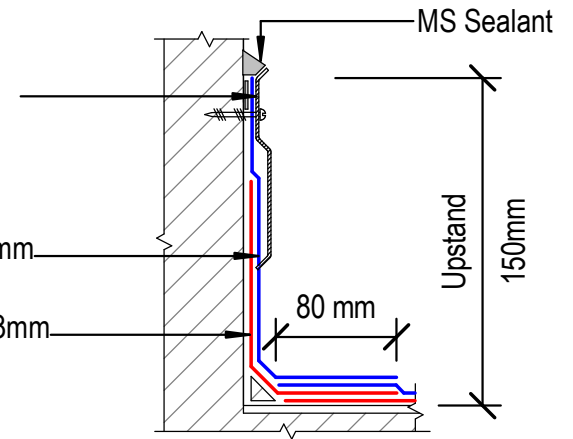


*Chase termination 'A'



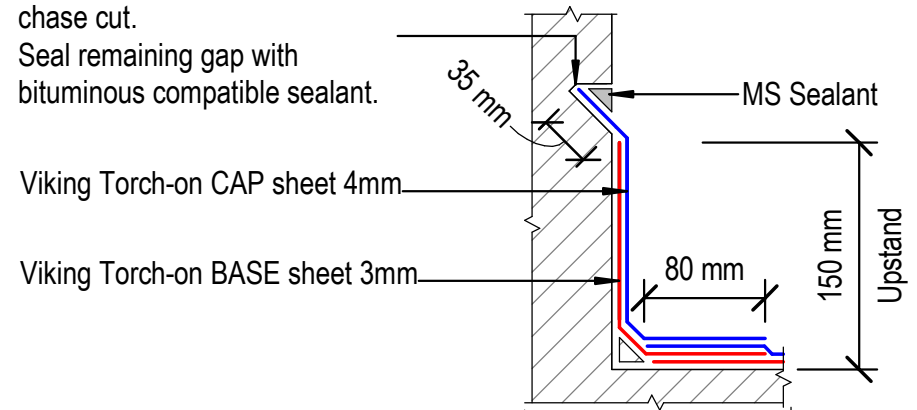
*Apron Flashing termination 'B'

Viking Termination Flashing IMT708 with bitumen sealant SES013 between membrane and wall for a compression seal



*Pressure Bar termination 'C'

Cap sheet pushed into 45° chase cut.
Seal remaining gap with bituminous compatible sealant.



*Chase termination 'D'

NOTES:
'Z' = Variable cover according to wind zone refer table 7 E2/AS1
150mm membrane upstand height where-ever possible

NOTES:
Substrate to comply with current Viking Roofspec Masterspec specification
Substrate Checksheet available from www.vikingroofspec.co.nz

DRAWING TITLE

Viking WS2 - Torch-On
Apron_Upstand terminations without cladding

NOTES:

*Viking Waterproof Membrane as notated can be Viking Gemini, Lybra, Phoenix Super or Halley P.
*All details to be read in conjunction with Viking Specifications.

Substrate and structure are indicative only

DRAWING STATUS

INFORMATION ONLY

Scale: Not to Scale	Date: 01/10/2022	Drawn: Viking
Detail Ref: VIK_WS2_TOR_081_APRNUTER		