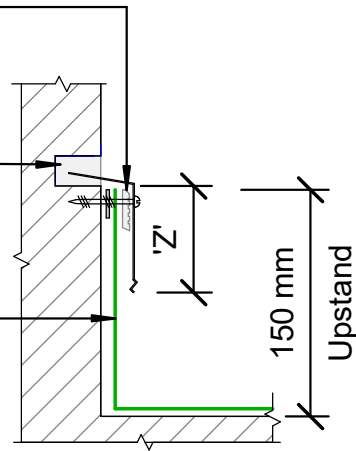


Viking Fixing Bar with STP870
water cut-off mastic sealant
between membrane and wall for a
compression seal

MS Sealant

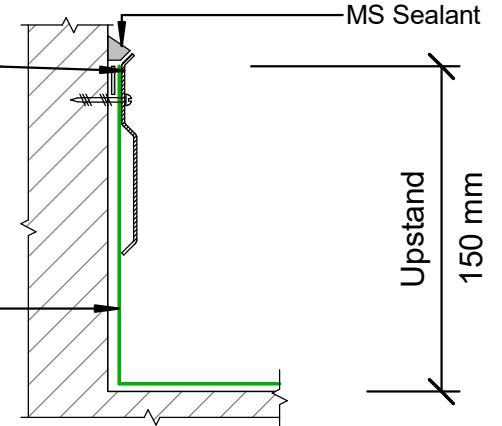
Viking Enviroclad TPO
waterproofing membrane 1.52
mm thick, install as per
manufacturers instructions



Chase termination 'A'

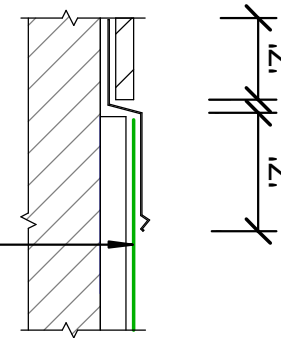
Viking Termination Flashing IMT708
with STP870
water cut-off mastic sealant
between membrane and wall for a
compression seal

Viking Enviroclad TPO
waterproofing membrane 1.52
mm thick, install as per
manufacturers instructions



Bar termination 'B' recommended only
where a chase detail is not possible

Viking Enviroclad TPO
waterproofing membrane 1.52
mm thick, install as per
manufacturers instructions



Apron Flashing
termination 'C'

NOTES:

'Z' = Variable cover according to wind zone refer table 7 E2/AS1
150mm membrane upstand height where-ever possible

NOTES:

Substrate to comply with current Viking Roofspec Masterspec specification
Substrate Checksheet available from www.vikingroofspec.co.nz

DRAWING TITLE

Viking WarmRoof - Enviroclad
Apron_Upstand terminations without cladding

NOTES:

- * Angle fillets are not required at upstands for Enviroclad
- * All fixings, cladding and structure are indicative only unless noted
- * All details to be read in conjunction with Viking Specifications

WarmRoof System is Branz
Appraised - 713

DRAWING

INFORMATION ONLY

Scale: Not to Scale Date: 01/03/2022 Drawn: Viking

Detail Ref: **VIK_WRE_081_APRNUTER**