

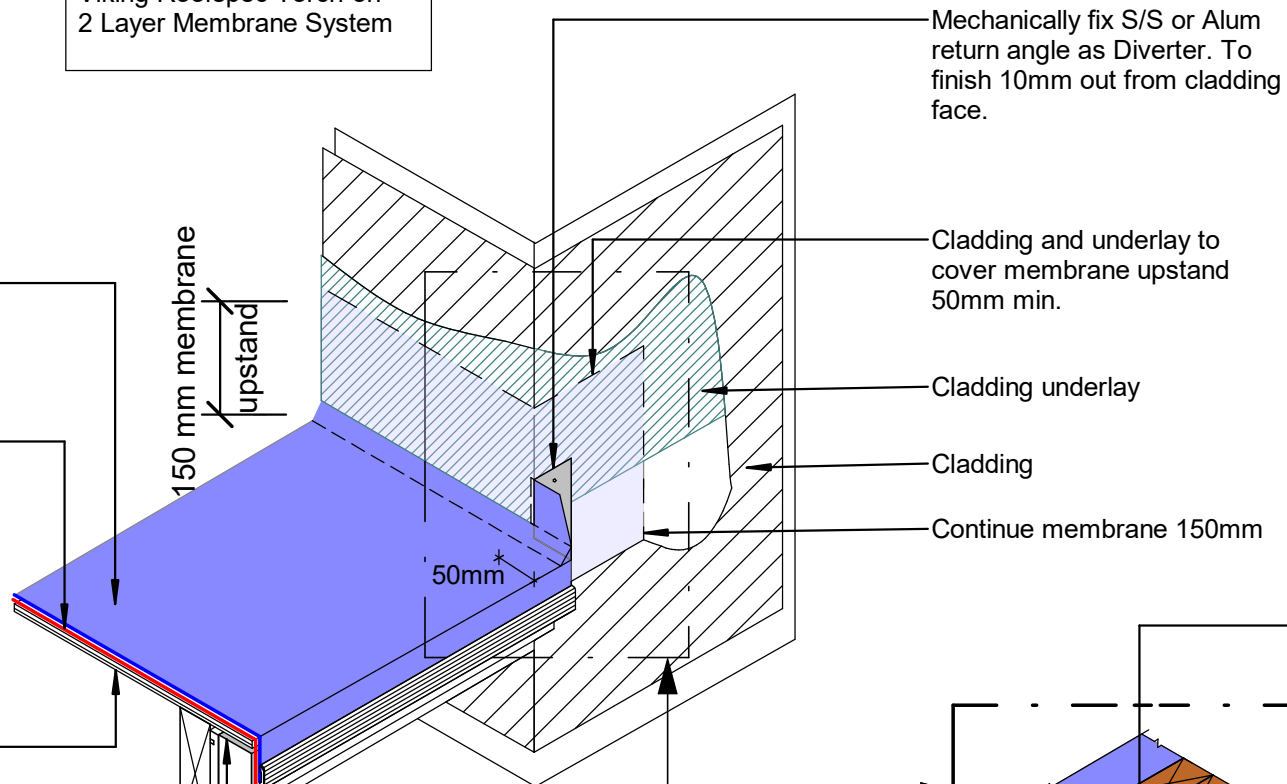
Viking Roofspec Torch-on
2 Layer Membrane System

Viking Torch-on CAP sheet 4mm thick, install as per manufacturers instructions

Viking Torch-on BASE sheet 3mm thick, install as per manufacturers instructions

Substrate

NOTE:
Substrate to comply with current Viking Roofspec Masterspec specification
Substrate Checksheet available from www.vikingroofspec.co.nz



Mechanically fix S/S or Alum return angle as Diverter. To finish 10mm out from cladding face.

Cladding and underlay to cover membrane upstand 50mm min.

Cladding underlay

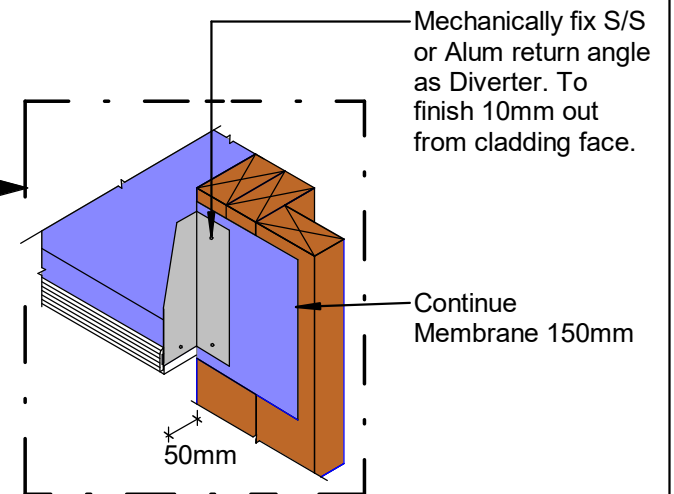
Cladding

Continue membrane 150mm

150 mm membrane upstand

50mm

Alum or S/S Angle 50x50mm x 1.6mm or thicker. Use fixing bar to secure membrane to drip-edge



Mechanically fix S/S or Alum return angle as Diverter. To finish 10mm out from cladding face.

Continue Membrane 150mm

50mm

DRAWING TITLE

Viking Torch-On
Verge_edge with wall returning, Diverter for cladding

NOTES:

- Viking Waterproof Membrane as notated can be Viking Gemini, Lybra or Phoenix Super.
- All fixings, cladding and structure are indicative only unless notated.



Viking Torch-On systems are CodeMarked

DRAWING

INFORMATION ONLY

Scale:	Date:	Drawn:	Viking
Not to Scale	23/11/2020		
Date Ref: VIK_TOR_033A_VERGEDGE			