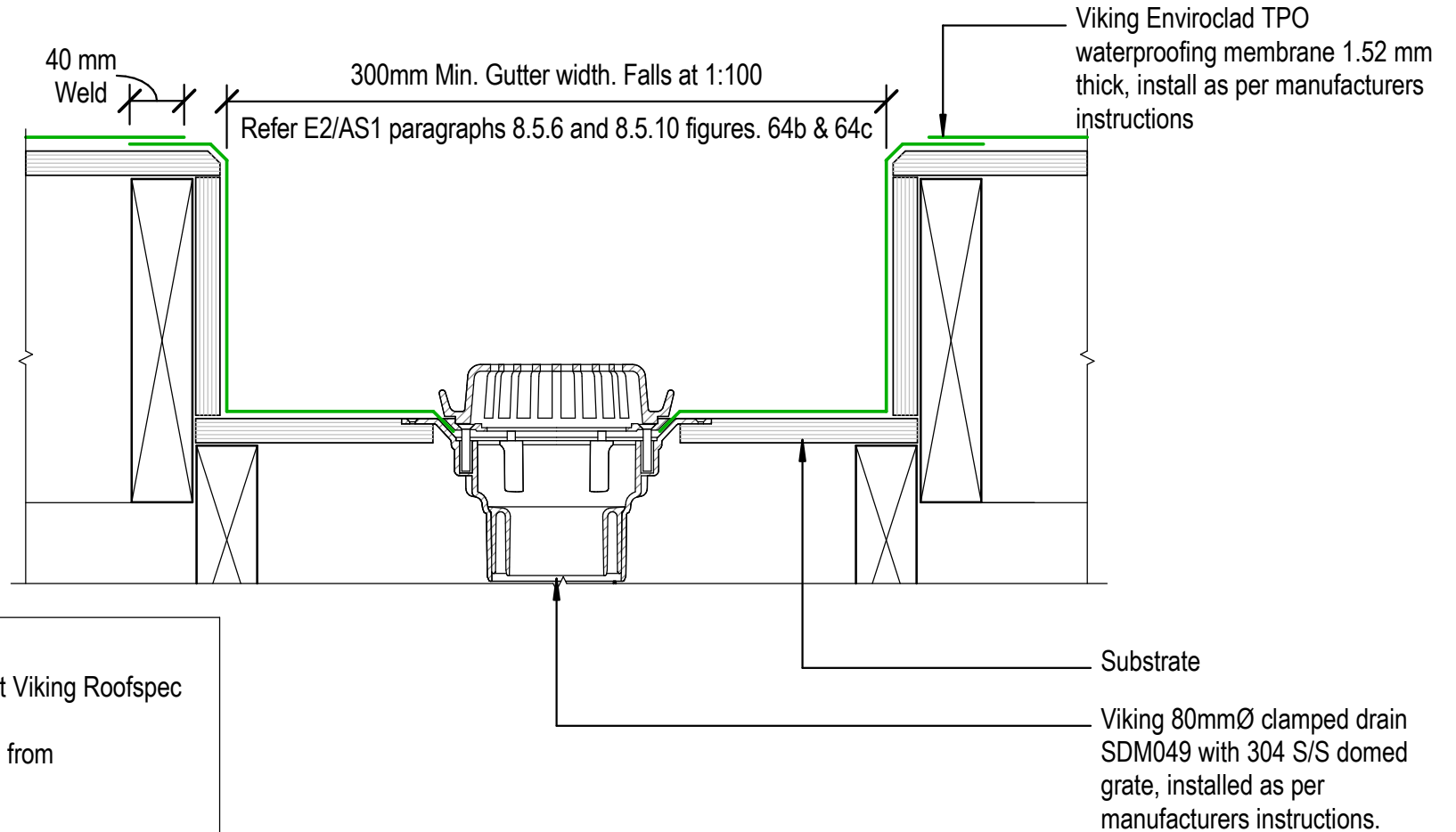


NOTE: It is Viking Roofspecs view that Internal Gutters can be eliminated in many cases. In doing so you could reduce the overall heights or increase roof falls while reducing risk and details. To find out more refer to Detail Notes_Best Practice Design in Membrane Roofing



NOTE:
Substrate to comply with current Viking Roofspec Masterspec specification
Substrate Checksheet available from www.vikingroofspec.co.nz

DRAWING TITLE

Viking Enviroclad
Internal Gutter_with outlet

NOTES:

* Angle fillets are not required at upstands for Enviroclad
* All fixings, cladding and structure are indicative only unless notated

CodeMark

Cert # GM-CMNZ30058

Cert # BV-CMNZ70176

Enviroclad systems are CodeMarked

DRAWING

INFORMATION ONLY

Scale:

Not to Scale

Date:

23/11/2020

Drawn:

Viking

Detail Ref:

VIK_ENV_050_GUTTOUTL

Viking Roofspec
Taking care of detail