



DDB270

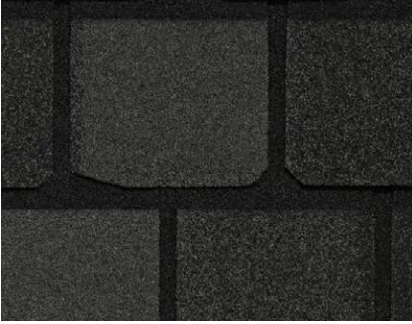


DDB275

Presidential Shake

Product Code	Description	Colour	Coverage per pack	Weight pack	M ³ per pack	Stocked In
DDB270	CT Presidential Shake	Charcoal Black	1.858m ²	32kg	0.035	AK
DDB275	CT Presidential Shake	Weathered Wood	1.858m ²	32kg	0.035	

- Freight applies to all CertainTeed orders
 - 4 Tab Shingle: 1016mm wide x 100mm weather exposure
 - Suitable up to Very-High Wind Zone with use of 9 nails, 4 spots of sealant per shingle and starter strips along the rake edges
 - Refer CertainTeed Installation Instructions for correct fixing methods



DDB260



DDB265

Highland Slate

Product Code	Description	Colour	Coverage per pack	Weight pack	M ³ per pack	Stocked In
DDB260	CT Highland Slate	Black Granite*	2.98m ²	35kg	0.035	AK
DDB265	CT Highland Slate	Smokey Quartz**	2.98m ²	35kg	0.035	

- *DDE360 to be used for caps
- **DDE365 to be used for caps

4 Tab Shingle:

- 920mm wide x 203mm weather exposure
- Suitable up to Very-High Wind Zone with use of 6 nails, 4 spots of sealant per shingle and starter strips along the rake edges
- Refer CertainTeed Installation instructions for correct fixing methods



DDB005



DDB015



DDB025



DDB045



DDB055



DDB035

Landmark 30

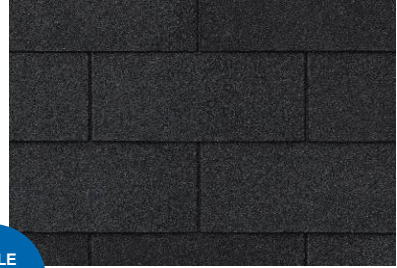
Product Code	Description	Colour	Coverage per pack	Weight pack	M ³ per pack	Stocked In
DDB005	CT Landmark	Weathered Wood	3.09m ²	34kg	0.035	AK
DDB015	CT Landmark	Moire Black	3.09m ²	34kg	0.035	
DDB035	CT Landmark	Georgetown Grey	3.09m ²	34kg	0.035	
DDB025	CT Landmark	Heather Blend	3.09m ²	34kg	0.035	
DDB045	CT Landmark	Burnt Sienna	3.09m ²	34kg	0.035	
DDB055	CT Landmark	Charcoal Black	3.09m ²	34kg	0.035	

- ✓ Freight applies to all Shingle orders
- ✓ Other colours available on request as indent orders – several months lead time
- ✓ Indent colours are supplied only in full pallets as 48 packs (caps = 24 packs)
 - ✓ Suitable up to Very-High Wind Zone with use of 6 nails, 4 spots of sealant per shingle and starter strips along the rake edges
- ✓ Refer CertainTeed Installation instructions for correct fixing methods

[back to contents](#)



DDB305



DDB318

WHILE
STOCKS
LAST

XT25						
Product Code	Description	Colour	Coverage per pack	Weight per pack	M ³ per pack	Stocked In
DDB305	XT25	Weathered Wood	3.0m ²	32kg	0.03	AK
DDB318	XT25	Black	3.0m ²	32kg	0.03	
DDB335	XT25	Cedar Brown	3.0m ²	32kg	0.03	
DDB340	XT25	Slate Grey	3.0m ²	32kg	0.03	
<ul style="list-style-type: none"> ✓ Freight applies to all Shingle orders ✓ XT25 Shingle are available in 295mm wide tabs with 127mm exposure <p>3 Tab Shingle:</p> <ul style="list-style-type: none"> ✓ Suitable for Medium Wind Zones ONLY ✓ Refer CertainTeed Installation instructions for correct fixing methods ✓ For Hip and Ridge Cap use XT25 Shingles coverage 9.1 L/m per pack 						



DDE160

Shadow Ridge Hip & Ridge Accessories

Product Code	Description	Colour	Coverage per pack	Weight per pack	M ³ per pack	Stocked In
DDE185	CT Ridge 300mm	Heather Blend	9.1 L/M	34kg	0.03	AK
DDE125	CT Ridge 250mm	Heather Blend	13.7 L/M	34kg	0.03	
DDE160	CT Ridge 300mm	Georgetown Grey	9.1 L/M	34kg	0.03	
DDE162	CT Ridge 250mm	Georgetown Grey	13.7 L/M	34kg	0.03	
DDE175	CT Ridge 300mm	Weathered Wood	9.1 L/M	34kg	0.03	
DDE190	CT Ridge 300mm	Burnt Sienna	9.1 L/M	34kg	0.03	
DDE195	CT Ridge 300mm	Moire Black	9.1 L/M	34kg	0.03	
DDE170	CT Ridge 300mm	Charcoal black	9.1 L/M	34kg	0.03	
<ul style="list-style-type: none"> - 250mm or 300mm wide caps are suitable for Landmark and Independence Shingles - Cedar Crest Hip and Ridge are required for Highland Slate 						



DDB360

Cedar Crest Hip & Ridge Accessories						
Product Code	Description	Colour	Coverage / pack	Weight / pack	M ³ / pack	Stocked In
DDE355	CT Cedar Crest	Weathered wood	6.1 L/M	36	0.03	AK
DDE365	CT Cedar Crest	Smokey Quartz	6.1 L/M	36	0.03	
DDE360	CT Cedar Crest	Black Granite	6.1 L/M	36	0.03	
<ul style="list-style-type: none"> - Cedar Crest required for Presidential Shake and Highland Slate shingles - Cedar Crest cap requires 2 spots of sealant 						



DDE005



DDE010

Starter Strip			
Product Code	Description	Coverage per pack	Stocked In
DDE000	CT Presidential Shake Charcoal Black Starter Strip	11.18 L/M (based on 2 layers)	AK
DDE000W	CT Presidential Shake Weathered Wood Starter Strip	11.18 L/M (based on 2 layers)	
DDE005	CT Highland Slate Starter Strip (250mm x 1.2m)	31 L/M	
DDE010	CT Universal Starter Strip (180mm x 1.2m)	31 L/M	



DDE050



DDE055a

Underlay & Peel & Stick

Product Code	Description	Colour	Coverage	Weight	M ³	Stocked In
DDE050	RoofRunner	Blue & White	93m ²	10kg	0.05	AK, ChC
DDE055a*	Self-adhered and Self-sealing	Charcoal	14.9m ²	16kg	0.09	

- Must be install to critical areas of the roof
 - *Must be on roof pitches between 9° – 18°



DDE261



DDE266



DDE280

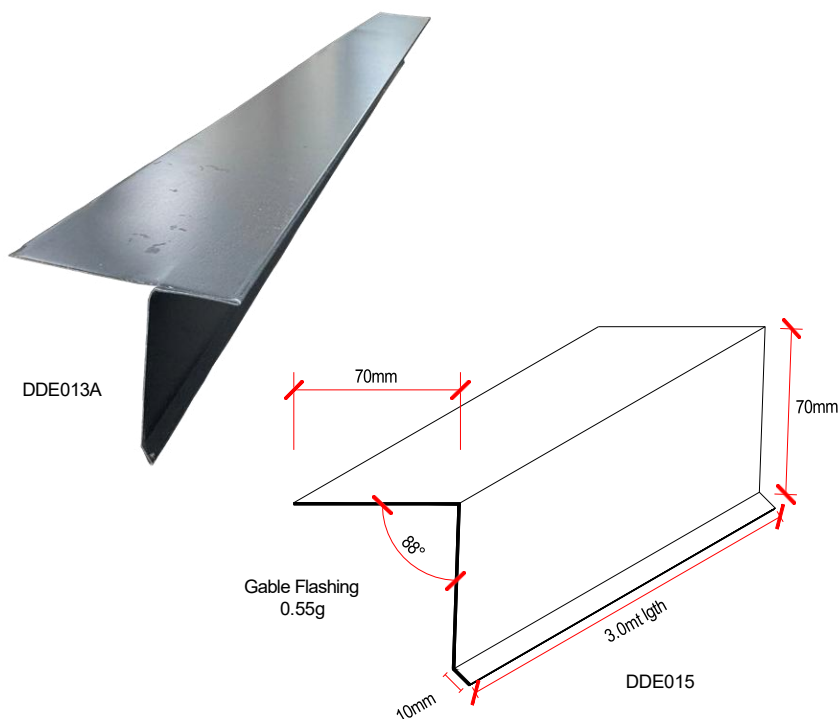
Ventilation

Product Code	Description	Dimensions	Stocked In
DDE261	Ridge Vent Low Pro	250mm x 16m x 1.2m	AK
DDE265	Ridge Vent Low Pro	300mm x 16m x 1.2m	
DDE266	Ridge Vent Low Pro. Roll	300mm x 16m x 9.1m	
DDE280	Roof Deck Vent (shingle over vent)	1.2m	



SES013

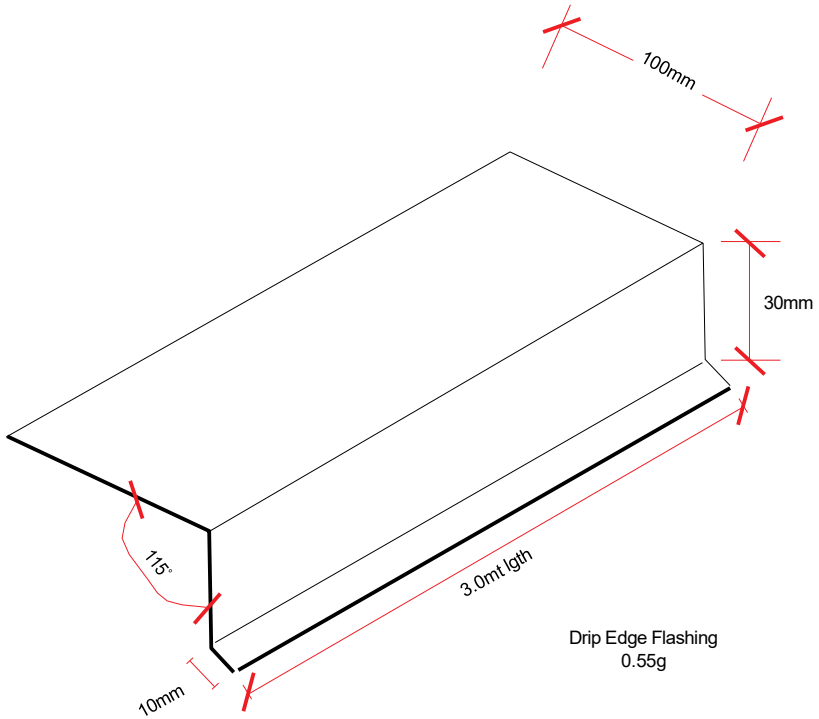
Sealant			
Product Code	Description	Size	Stocked In
SES013	Bitumen Sealant	300ml	AK, ChC, WN



Gable Flashings

Product Code	Description	Colour	Dimensions 3.0m length	Stocked In
DDE015	Gable Flashing Colour Steel – Standard	Ironsand	Refer to Diagram	AK
DDE015E	Gable Flashing Colour Steel – Standard	Ebony	Refer to Diagram	
DDE015G	Gable Flashing Colour Steel – Standard	Grey Friars	Refer to Diagram	
DDE013A	T Gable Flashing Colour Steel – Premium	Ebony	Refer to Diagram	
DDE013B	T Gable Flashing Colour Steel – Premium	Grey Friars	Refer to Diagram	
<p>✓ NB: All flashings are made from Coloursteel Maxx</p> <p>✓ Suitable for use 25m from the high-water mark on the East Coast and 50m from the high-water mark on the West Coast</p>				

[back to contents](#)



Drip Edge Flashings				
Product Code	Description	Colour	Dimensions 3.0m length	Stocked In
DDE016	Drip Edge Flashing Colour Steel	Ironsand	Refer to Diagram	AK
<p>✓ NB: All flashings are made from Coloursteel Maxx</p> <p>✓ Suitable for use 25m from the high-water mark on the East Coast and 50m from the high-water mark on the West Coast</p>				



DDB002



DDB003



DDB004



DDB007



DDB008



DDB009

Fixings

Product Code	Description	U.O.M	Length	Stocked In
DDB003	S/S Ring Shank Ridge Cap Nails – 120 per coil	Coil	45mm	AK,ChC
DDB004	S/S Ring Shank EcoStar Ridge Cap Nails 250g box	Box	64mm	
DDB007	S/S Plywood (Coil) Nails – 3000 per box	Box	64mm	AK
DDB008	Galv. Plywood (Coil) Nails – 6000 per box	Box	64mm	
DDB009	Galv. Staples – 5000 per 250g box	Box	8mm	
DDB011	65 x 2.87 D-Head HDG Ring Shank 3000 Nails per ctn collated	Box	65mm	

[back to contents](#)

Diverter will eventually be replaced by IMT601 and IMT602



DDE030



DDE031



SBD301

Kick-out and Step Flashings

Product Code	Description	Colour	Dimensions	Stocked In
DDE030	Kick-out Flashing (Right)	White	250mm x 150mm x 150mm	AK
DDE031	Kick-out Flashing (Left)	White	250mm x 150mm x 150mm	
SBD301	EPDM Step Flashing*	Black	300mm wide	

*Sold per lineal metre



DSS360

Superstrand Sarking

Product Code	Description	Dimensions	Weight	Stocked In
DSS360	SS Sarking 16.3mm H3.1	3600 x 800mm*	11kg / m ²	AK,ChC
<ul style="list-style-type: none">- *Other dimensions possibly available on application- Freight applies to all Superstrand orders- Refer Shingles SuperStrand Sarking checklist for correct installation details				



DDE102

Dektites Pipe Flashing			
Product Code	Description	Dimensions	Stocked In
DDE099	Dektite Flashing Black	160mm – 300mm	AK
DDE100	Dektite Flashing Black	0 – 150mm	
DDE102	Dektite Flashing Black	50mm	
DDE104	Dektite Flashing Black	100mm	

Degrees Pitch	Roof multiplier	Hip multiplier
10	1.015	1.426
11	1.019	1.428
12	1.022	1.430
13	1.026	1.433
14	1.031	1.436
15	1.035	1.440
16	1.040	1.443
17	1.046	1.447
18	1.058	1.451
19	1.058	1.456
20	1.064	1.460
21	1.071	1.465
22	1.079	1.471
23	1.086	1.477
24	1.095	1.485
25	1.103	1.489
26	1.113	1.496
27	1.122	1.503
28	1.133	1.511
29	1.143	1.519
30	1.155	1.527

Degrees Pitch	Roof multiplier	Hip multiplier
31	1.167	1.536
32	1.179	1.546
33	1.192	1.556
34	1.206	1.567
35	1.221	1.578
36	1.236	1.590
37	1.252	1.603
38	1.269	1.616
39	1.287	1.630
40	1.305	1.644
41	1.325	1.660
42	1.346	1.676
43	1.367	1.694
44	1.390	1.713
45	1.414	1.732
50	1.556	1.849
55	1.743	2.009
60	2.000	2.236
65	2.366	2.569
70	2.924	3.090
75	3.864	3.991

