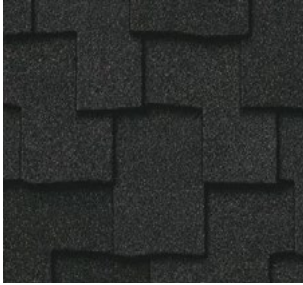


Viking CertainTeed Shingle : Presidential Shake



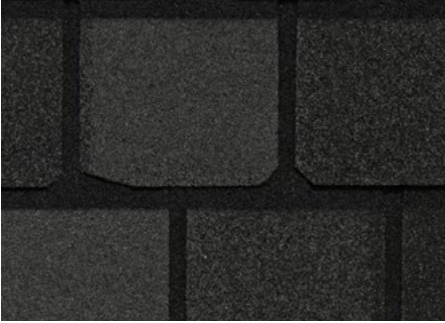
DDB270



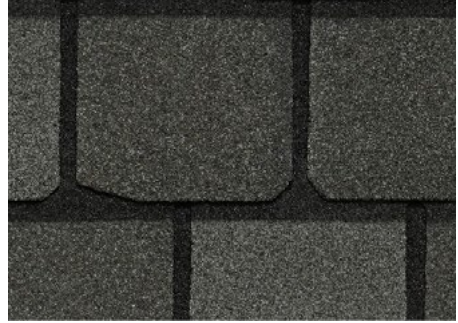
DDB275

Presidential Shake						
Product Code	Description	Colour	Coverage per pack	Weight pack	M ³ per pack	Origin
DDB270	CT Presidential Shake	Charcoal Black	1.858m ²	32kg	0.035	USA
DDB275	CT Presidential Shake	Weathered Wood	1.858m ²	32kg	0.035	USA
<ul style="list-style-type: none"> - Freight applies to all CertainTeed orders - 4 Tab Shingle: 1016mm wide x 100mm weather exposure - Suitable up to 205kmph winds, use of 9 nails and 4 spots of sealant - Refer CertainTeed Installation Instructions for correct fixing methods 						

Viking CertainTeed Shingle : Highland Slate



DDB260



DDB265

Highland Slate						
Product Code	Description	Colour	Coverage per pack	Weight pack	M ³ per pack	Origin
DDB260	CT Highland Slate	Black Granite*	2.98m ²	35kg	0.035	USA
DDB265	CT Highland Slate	Smokey Quartz**	2.98M ²	35kg	0.035	USA
<ul style="list-style-type: none"> - *DDE195 to be used for caps - **DDE365 to be used for caps <p>4 Tab Shingle:</p> <ul style="list-style-type: none"> - 920mm wide x 203mm weather exposure - Suitable up to Extra-High Wind Zone with use of 6 nails and 8 spots of sealant per shingle - Refer CertainTeed Installation instructions for correct fixing methods 						

Viking CertainTeed Shingle : Landmark 30



DDB005



DDB015



DDB025



DDB030



DDB055



DDB020

Landmark 30

Product Code	Description	Colour	Coverage per pack	Weight pack	M ² per pack	Origin
DDB005	CT Landmark	Weathered Wood	3.09m ²	34kg	0.035	USA
DDB015	CT Landmark	Moire Black	3.09m ²	34kg	0.035	USA
DDB020	CT Landmark	Pewter	3.09m ²	34kg	0.035	USA
DDB025	CT Landmark	Heather Blend	3.09m ²	34kg	0.035	USA
DDB030	CT Landmark	Driftwood	3.09m ²	34kg	0.035	USA
DDB055	CT Landmark	Charcoal Black	3.09m ²	34kg	0.035	USA

- Freight applies to all Shingle orders
- Other colours available on request as indent orders – several months lead time
- Indent colours are supplied only in full pallets as 48 packs (caps = 24 packs)
- Suitable up to Very-High Wind Zone with use of 6 nails and 4 spots of sealant per shingle
- Refer CertainTeed Installation instructions for correct fixing methods

Viking CertainTeed Shingle : XT25



DDB305



DDB315

XT25

Product Code	Description	Colour	Coverage per pack	Weight per pack	M ³ per pack	Origin
DDB305	XT25	Weathered Wood	3.0m ²	32kg	0.03	USA
DDB315	XT25	Moire Black	3.0m ²	32kg	0.03	USA

- Freight applies to all Shingle orders
 - XT25 Shingle are available in 295mm wide tabs with 127mm exposure
- 3 Tab Shingle:**
- Suitable for Very High Wind Zones if 6 x nails and 6 x spots of bitumen sealant are applied
 - Refer CertainTeed Installation instructions for correct fixing methods
 - For Hip and Ridge Cap use XT25 Shingles coverage 9.1 Lm per pack

Viking CertainTeed Shingle Accessories



DDE105

Shadow Ridge Hip & Ridge Accessories

Product Code	Description	Colour	Coverage per pack	Weight per pack	M ² per pack	Origin
DDE105	CT Ridge 250mm	Weathered Wood	13.7 L/M	34kg	0.03	USA
DDE115	CT Ridge 250mm	Moire Black	13.7 L/M	34kg	0.03	USA
DDE125	CT Ridge 250mm	Heatherblend	13.7 L/M	34kg	0.03	USA
DDE145	CT Ridge 250mm	Driftwood	13.7 L/M	34kg	0.03	USA
DDE165	CT Ridge 300mm	Driftwood	9.1 L/M	34kg	0.03	USA
DDE175	CT Ridge 300mm	Weathered Wood	9.1 L/M	34kg	0.03	USA
DDE195	CT Ridge 300mm	Moire Black	9.1 L/M	34kg	0.03	USA

- 250mm or 300mm wide caps are suitable for Landmark and Independence Shingles
- 300mm wide caps are required for Highland Slate
- Cedar Crest Hip and Ridge are required for Highland Slate

Viking CertainTeed Shingle Accessories



DDB360

Cedar Crest Hip & Ridge Accessories

Product Code	Description	Colour	Coverage / pack	Weight / pack	M ² / pack	Origin
DDE365	CT Highland Slate Cedar Crest	Smokey Quartz	6.1 L/M	36	0.03	USA
Cedar Crest cap requires 2 spots of sealant						

Viking CertainTeed Shingle Accessories



XT25

XT25 Hip and Ridge Cap		
Product Code	Description	Coverage
DDB305 or DDB315	For Hip and Ridge Cap use XT25 Shingles	9.1 L/M

Viking CertainTeed Shingle Accessories



DDE005



DDE010

Starter Strip			
Product Code	Description	Coverage per pack	Origin
DDE000	CT Presidential Shake Charcoal Black Starter Strip	11.18 L/M (based on 2 layers)	USA
DDE000W	CT Presidential Shake Weathered Wood Starter Strip	11.18 L/M (based on 2 layers)	USA
DDE005	CT Highland Slate Starter Strip (250mm x 1.2m)	31 L/M	USA
DDE010	CT Universal Starter Strip (180mm x 1.2m)	31 L/M	USA

Viking CertainTeed Shingle Accessories



DDE055

Underlay & Peel & Stick						
Product Code	Description	Colour	Coverage	Weight	M ³	Origin
DDE050	RoofRunner	Black	93m ²	10kg	0.05	India
DDE055	Peel & Stick Sand (914mm x 19.8m)*	Charcoal	14.9m ²	35kg	0.09	USA
<ul style="list-style-type: none"> - *For Asphalt shingle Underlayment on roof pitches between 9° – 18° - *For EcoStar Underlayment on roof pitches between 15° – 25° 						

Viking CertainTeed Shingle Accessories



DDE200



DDE261



DDE265



DDE266



DDE280

Ventilation

Product Code	Description	Dimensions	Origin
DDE200	Skirt Vent	200mm x 1.2m	USA
DDE261	Ridge Vent Low Pro	250mm x 1.2m x 16mm	USA
DDE265	Ridge Vent	300mm x 1.2m x 25mm	USA
DDE266	Ridge Vent Low Pro. Roll	300mm x 9.1m x 16mm	USA
DDE280	Roof Deck Vent (shingle over vent)	1.2m	USA

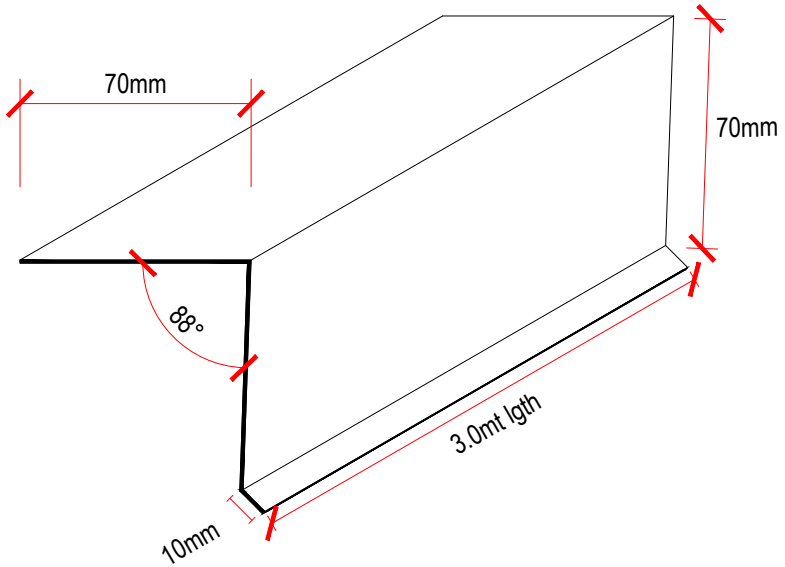
Viking CertainTeed Shingle Flashings



SES013

Sealant			
Product Code	Description	Size	Origin
SES013	Bitumen Sealant	300ml	NZ

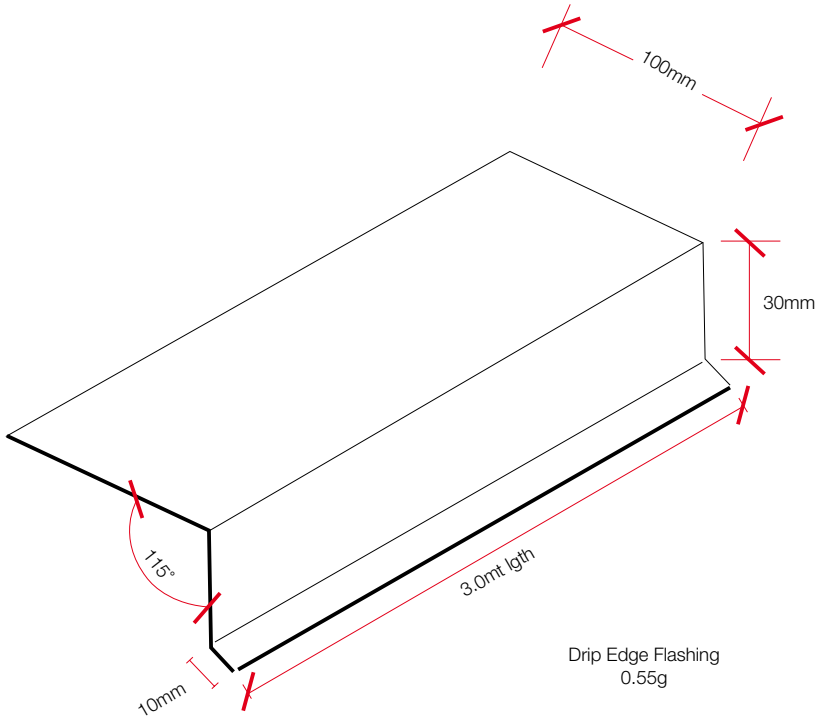
Viking CertainTeed Shingle Flashings



Gable Flashing
0.55g

Gable Flashings				
Product Code	Description	Colour	Dimensions 3.0m length	Origin
DDE015	Gable Flashing Colour Steel	Ironsand	Refer to diagram	NZ
DDE018	Gable Flashing Marine Grade	Ironsand		NZ
DDE015e	Gable Flashing Colour Steel	Black		NZ

Viking CertainTeed Shingle Accessories



Drip Edge Flashings				
Product Code	Description	Colour	Dimensions 3.0m length	Origin
DDE016	Drip Edge Flashing Colour Steel	Ironsand	Refer to diagram	NZ
DDE019	Drip Edge Flashing Marine Grade	Ironsand		NZ

Viking CertainTeed Shingle Accessories



DDB002



DDB003



DDB004



DDB007



DDB008



DDB009

Fixings

Product Code	Description	Length	Origin
DDB001	Galv. Ring Shank (Coil) Nails – 7200 per box	32mm	NZ
DDB002	S/S Ring Shank (Coil) Nails – 7200 per box	32mm	NZ
DDB003	S/S Ring Shank Ridge Cap Nails – 120 per coil	45mm	NZ
DDB004	S/S Ring Shank EcoStar Ridge Cap Nails 250g box	60mm	NZ
DDB007	S/S Plywood (Coil) Nails – 3000 per box	64mm	NZ
DDB008	Galv. Plywood (Coil) Nails – 6000 per box	64mm	NZ
DDB009	Galv. Staples – 5000 per box	8mm	NZ
DDB011	65 x 2.87 D-head HDG Ring Shank 3000 nails per ctn collated	65mm	NZ

Viking CertainTeed Shingle Accessories



DDE030



DDE031



SBD301

Kick-out Flashings

Product Code	Description	Colour	Dimensions	Origin
DDE030	Kick-out Flashing (Right)	White	250mm x 150mm x 150mm	NZ
DDE031	Kick-out Flashing (Left)	White	250mm x 150mm x 150mm	NZ
SBD301	EPDM Step Flashing*	Black	300mm wide	NZ

*Sold per lineal metre

Viking CertainTeed Shingle Accessories



DSS360

Superstrand Sarking				
Product Code	Description	Dimensions	Weight	Origin
DSS360	SS Sarking 16.3mm H3.1	3600 x 800mm*	11kg / m ²	NZ
<ul style="list-style-type: none"> - *Other dimensions possibly available on application - Freight applies to all Superstrand orders - Refer Shingles SuperStrand Sarking checklist for correct installation details 				

Viking CertainTeed Shingle Accessories



DDE101

Dektites Pipe Flashing			
Product Code	Description	Dimensions	Origin
DDE099	Dektite Flashing Black	160mm – 300mm	China
DDE100	Dektite Flashing Black	0 – 150mm	China
DDE101	Dektite Flashing Black	40mm	China
DDE102	Dektite Flashing Black	50mm	China
DDE103	Dektite Flashing Black	75mm	China
DDE104	Dektite Flashing Black	100mm	China

Pitched Roofing Conversion Tables

Degrees Pitch	Roof multiplier	Hip multiplier
10	1.015	1.426
11	1.019	1.428
12	1.022	1.430
13	1.026	1.433
14	1.031	1.436
15	1.035	1.440
16	1.040	1.443
17	1.046	1.447
18	1.058	1.451
19	1.058	1.456
20	1.064	1.460
21	1.071	1.465
22	1.079	1.471
23	1.086	1.477
24	1.095	1.485
25	1.103	1.489
26	1.113	1.496
27	1.122	1.503
28	1.133	1.511
29	1.143	1.519
30	1.155	1.527

Degrees Pitch	Roof multiplier	Hip multiplier
31	1.167	1.536
32	1.179	1.546
33	1.192	1.556
34	1.206	1.567
35	1.221	1.578
36	1.236	1.590
37	1.252	1.603
38	1.269	1.616
39	1.287	1.630
40	1.305	1.644
41	1.325	1.660
42	1.346	1.676
43	1.367	1.694
44	1.390	1.713
45	1.414	1.732
50	1.556	1.849
55	1.743	2.009
60	2.000	2.236
65	2.366	2.569
70	2.924	3.090
75	3.864	3.991