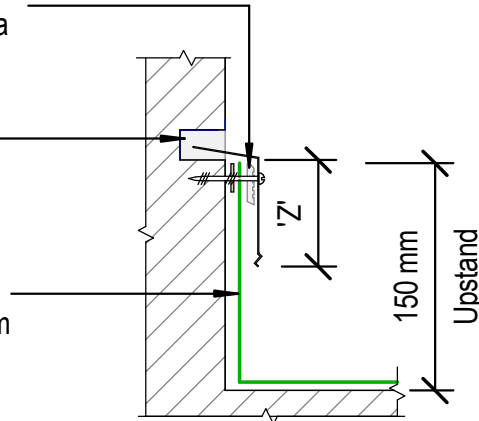


Viking Fixing Bar with STP870  
water cut-off mastic sealant  
between membrane and wall for a  
compression seal

MS Sealant

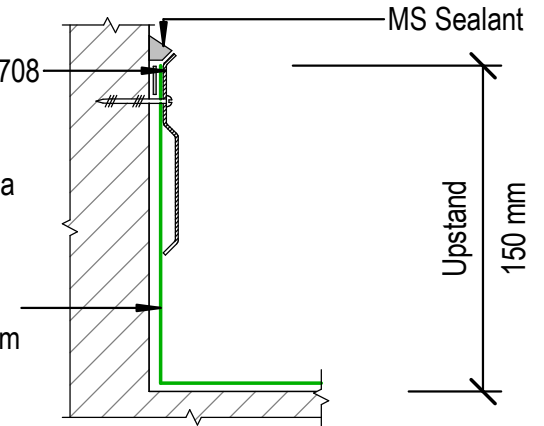
Viking Enviroclad TPO  
waterproofing membrane 1.52 mm



Chase termination 'A'

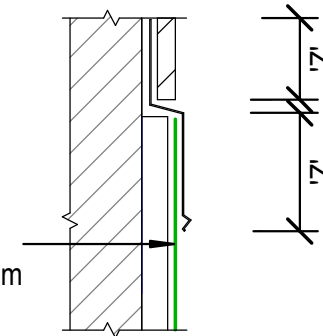
Viking Termination Flashing IMT708  
with STP870  
water cut-off mastic sealant  
between membrane and wall for a  
compression seal

Viking Enviroclad TPO  
waterproofing membrane 1.52 mm



Bar termination 'B' recommended only  
where a chase detail is not possible

Viking Enviroclad TPO  
waterproofing membrane 1.52 mm



Apron Flashing  
termination 'C'

NOTES:

'Z' = Variable cover according to wind zone refer table 7 E2/AS1  
150mm membrane upstand height where-ever possible

NOTES:

Substrate to comply with current Viking Roofspec Masterspec specification  
Substrate Checksheet available from [www.vikingroofspec.co.nz](http://www.vikingroofspec.co.nz)

DRAWING TITLE

Viking WS2 - Enviroclad  
Apron\_Upstand terminations without cladding

NOTES:

- \* Angle fillets are not required at upstands for Enviroclad
- \* All fixings, cladding and structure are indicative only unless noted
- \* All details to be read in conjunction with Viking Specifications

Substrate and structure are  
indicative only

DRAWING STATUS

INFORMATION ONLY

|   |                     |                  |
|---|---------------------|------------------|
| Scale:<br>Not to Scale                      | Date:<br>01/10/2022 | Drawn:<br>Viking |
| Detail Ref: <b>VIK_WS2_ENV_081_APRNUTER</b> |                     |                  |