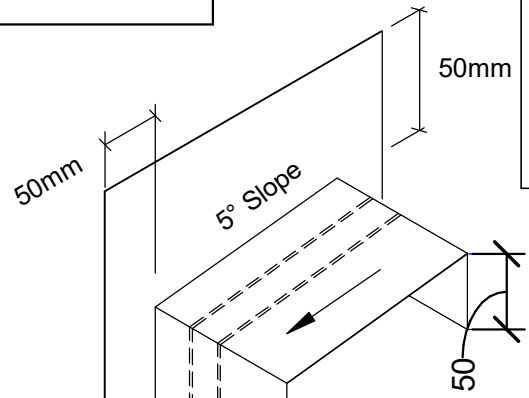


- STEP**
- STEP 1. 2 layer Torch-on System behind cavity batten fully supported by substrate plywood or timber. Finish 150mm over & beyond the parapet junction
- STEP 2. Wall Underlay behind cavity. Finish over membrane
- STEP 3. *Saddle Flashing over cavity batten, directly behind cladding, refer Fig12 E2/AS1
- STEP 4. Cladding to seal to saddle flashing
- STEP 5. Metal Cap flashing to seal to saddle flashing

Viking Roofspec Torch-on 2 Layer Membrane System Viking Roofspec, install as per manufacturers instructions.

50x50mm Internal-corner Flashing by cladding supplier Behind saddle flashing extended to bottom of cladding.

Torch-on Membrane System to detail over cladding Ref TOR_040



*Saddle flashing Refer E2/AS1 fig12 for detail

Sealant Bead x 2 for Parapet Cap

DRAWING TITLE

Viking Torch-On Parapet_Parapet meets wall

NOTES:

- Viking Waterproof Membrane as notated can be Viking Gemini, Lybra or Phoenix Super.
- All fixings, cladding and structure are indicative only unless notated.



Viking Torch-On systems are CodeMarked

DRAWING

INFORMATION ONLY

| | | | |
|--------------|------------|--------|--------|
| Scale: | Date: | Drawn: | Viking |
| Not to Scale | 23/11/2020 | | |

Refer Ref: **VIK_TOR_040A_PARAWALL**

