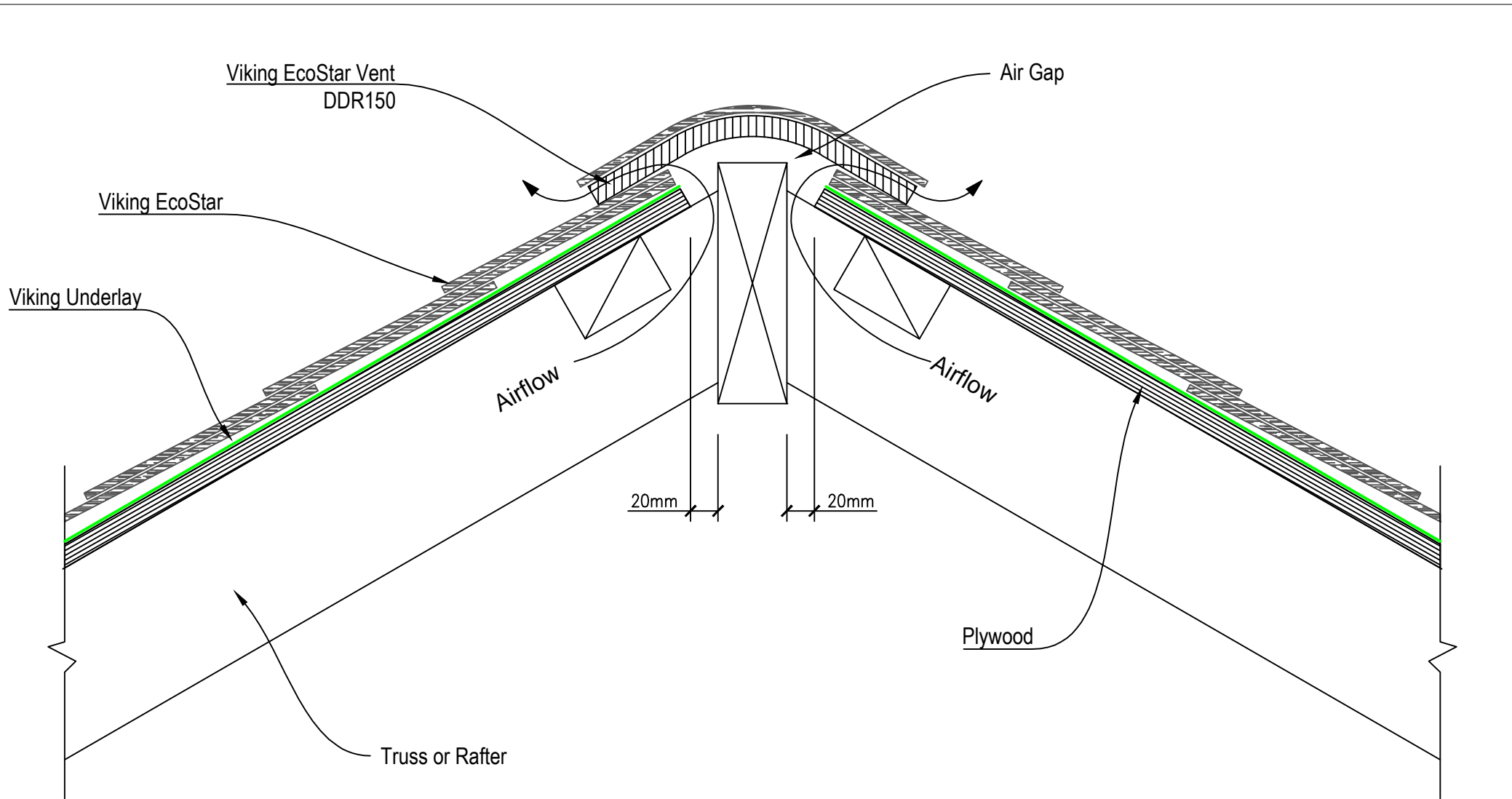
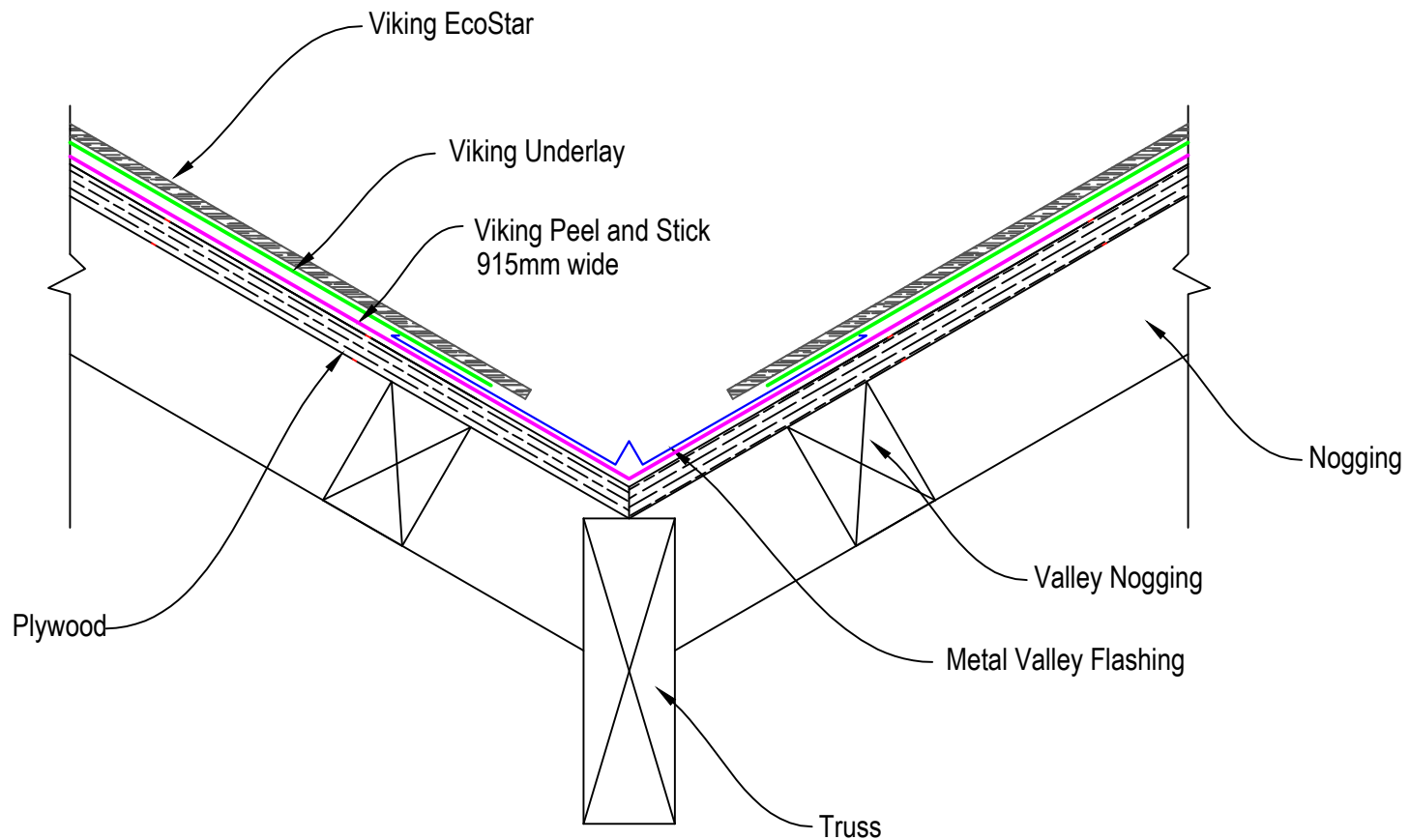
 <p><b>Viking</b> Roofspec Taking care of detail</p>	DRAWING TITLE	NOTES:	DRAWING STATUS		
	EcoStar Vented Dripedge to Spouting	Substrate Indicative Only	INFORMATION ONLY		
			Not to Scale	DATE 19/04/2017	Detail Ref.
			DRAWN Viking	EC01	A



DRAWING TITLE
EcoStar Vented Ridge

NOTES:
Substrate Indicative Only

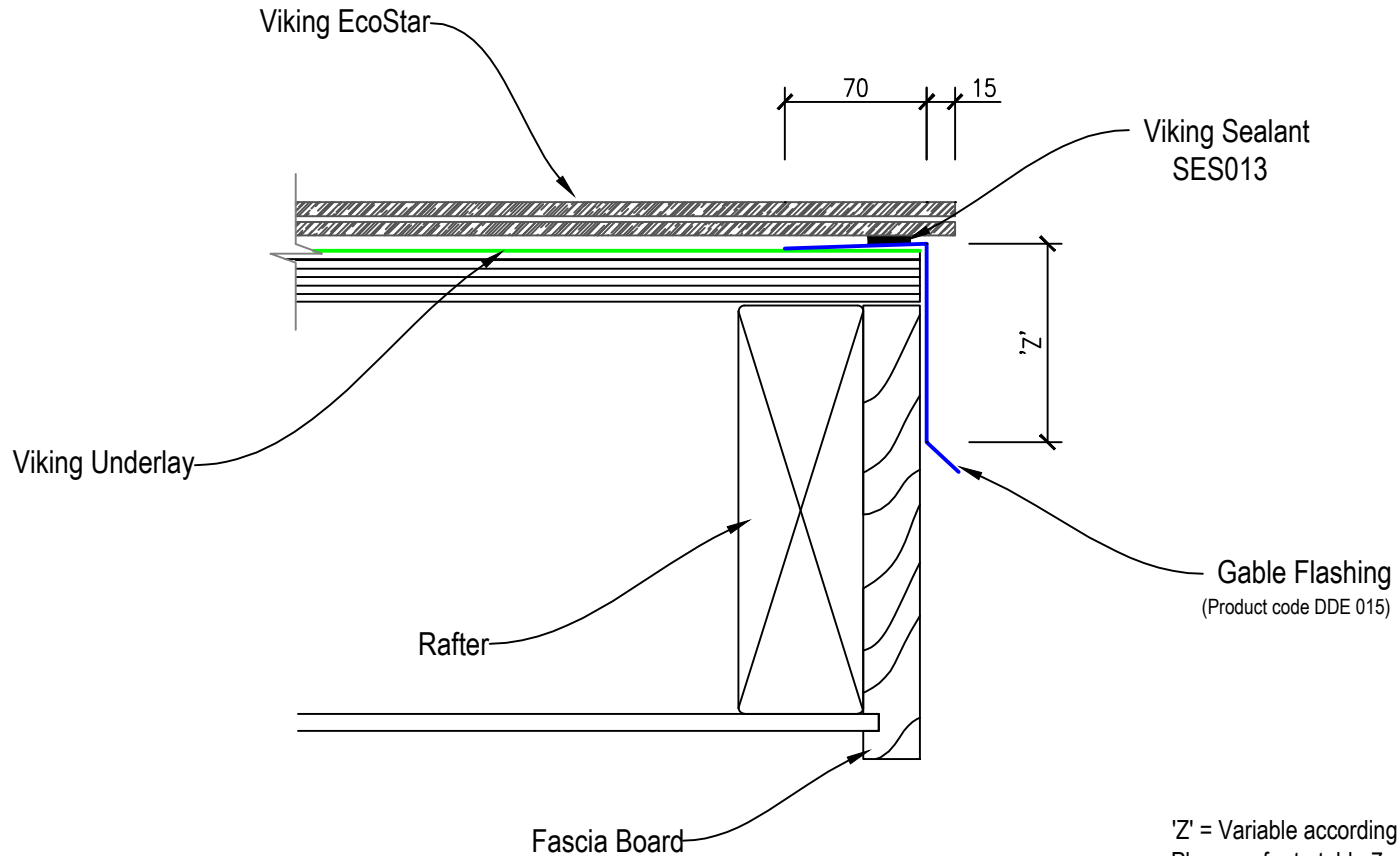
DRAWING STATUS			
INFORMATION ONLY			
Not to Scale	DATE 19/04/2017	Detail Ref.	ISSUE
DRAWN	Viking	EC02	A



DRAWING TITLE
EcoStar Valley Detail

NOTES:
Substrate Indicative Only

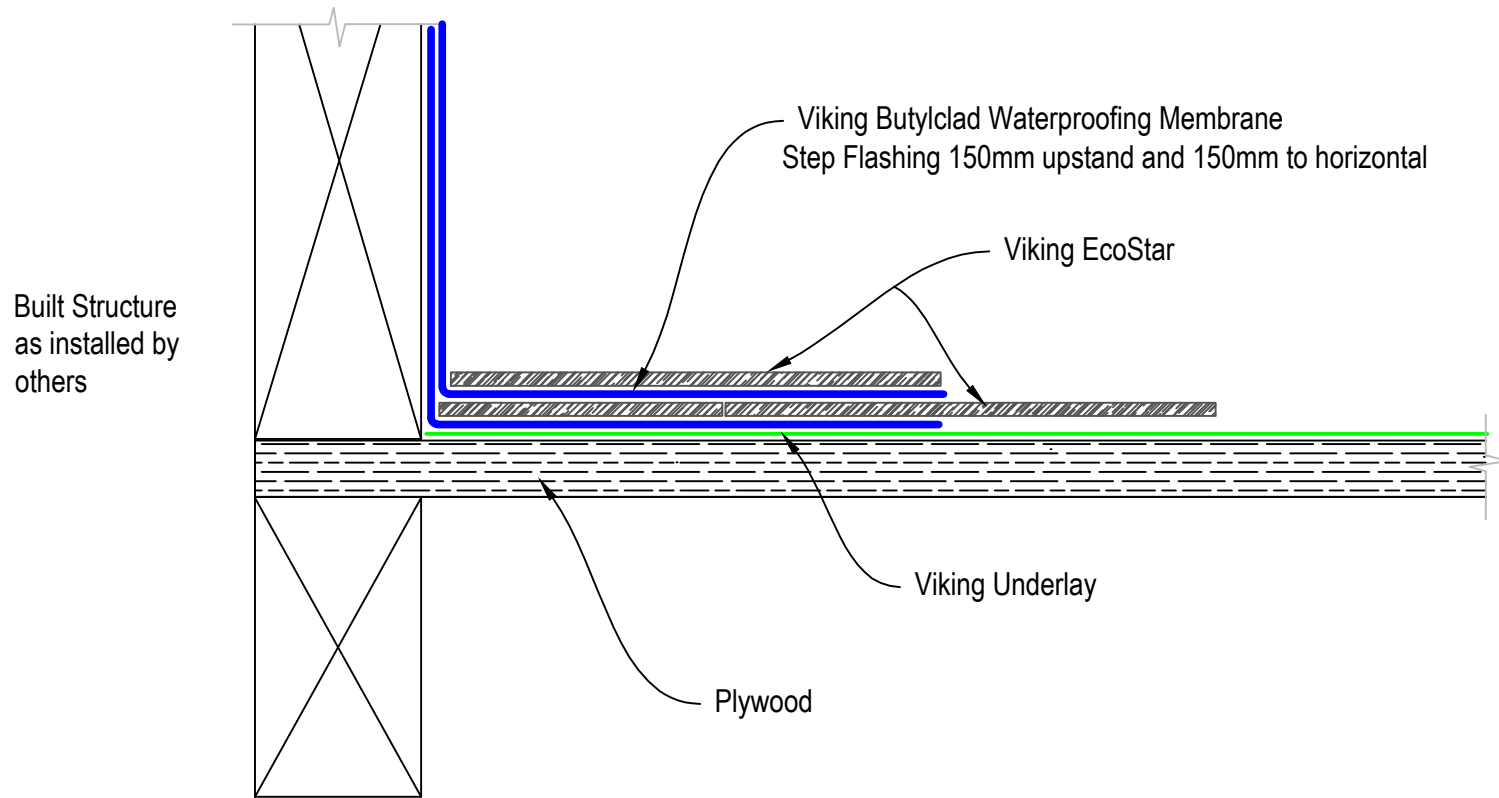
DRAWING STATUS			
INFORMATION ONLY			
Not to Scale	DATE 19/04/2017	Detail Ref.	ISSUE
DRAWN	Viking	EC03	A



DRAWING TITLE
EcoStar Gable Detail

NOTES:
Substrate Indicative Only

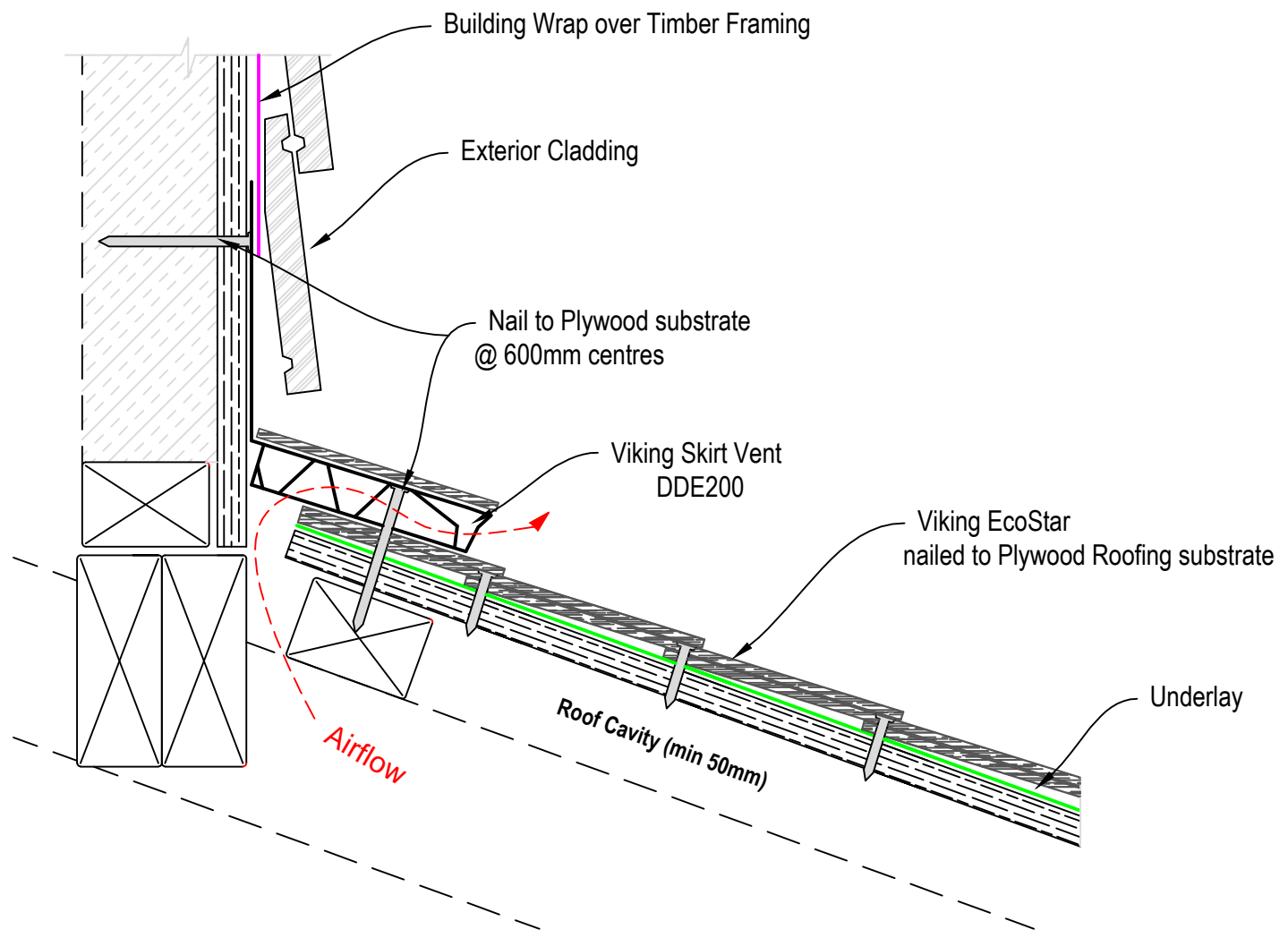
DRAWING STATUS			
INFORMATION ONLY			
Not to Scale	DATE 19/04/2017	Detail Ref.	ISSUE
DRAWN	Viking	EC04	A



DRAWING TITLE	NOTES:
EcoStar Step Flashings	Substrate Indicative Only

DRAWING STATUS			
INFORMATION ONLY			
Not to Scale	DATE 19/04/2017	Detail Ref.	ISSUE
DRAWN	Viking	EC05	A

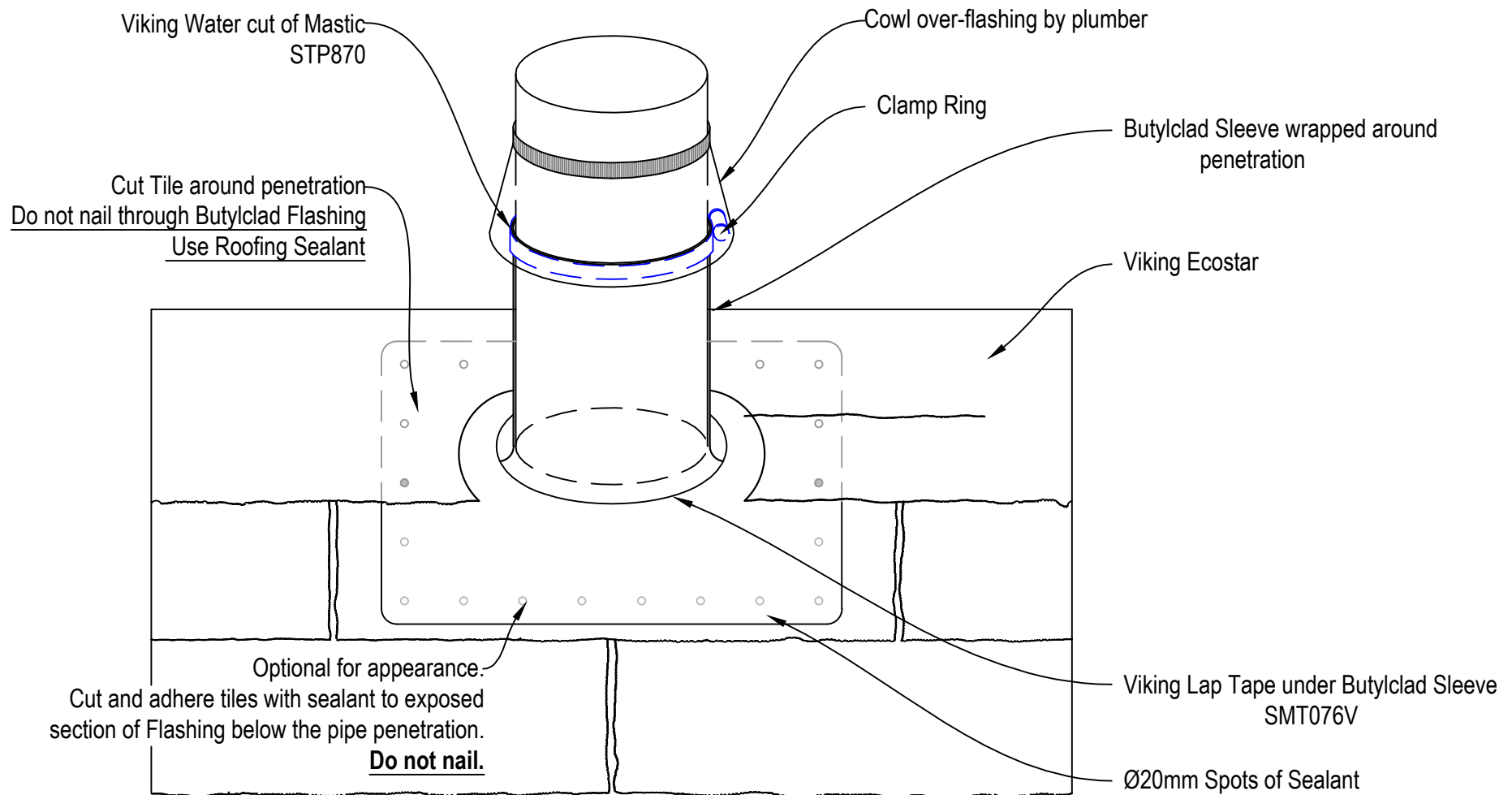
DRAWING STATUS			
INFORMATION ONLY			
Not to Scale	DATE 19/04/2017	Detail Ref.	ISSUE
DRAWN	Viking	EC05	A

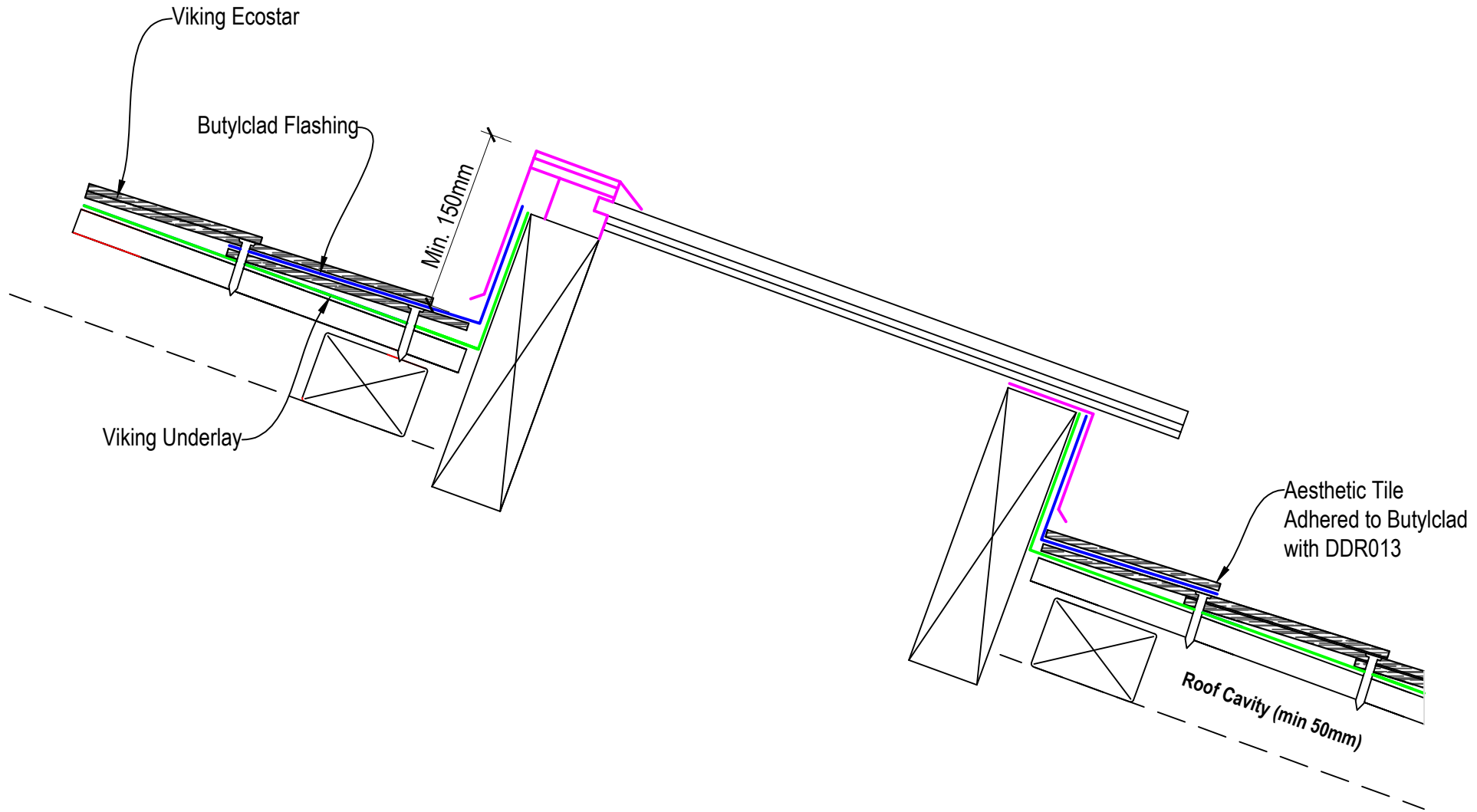


DRAWING TITLE
EcoStar Vented Roof to Wall

NOTES:
Substrate Indicative Only

DRAWING STATUS			
INFORMATION ONLY			
Not to Scale	DATE 19/04/2017	Detail Ref.	ISSUE
DRAWN	Viking	EC06	A



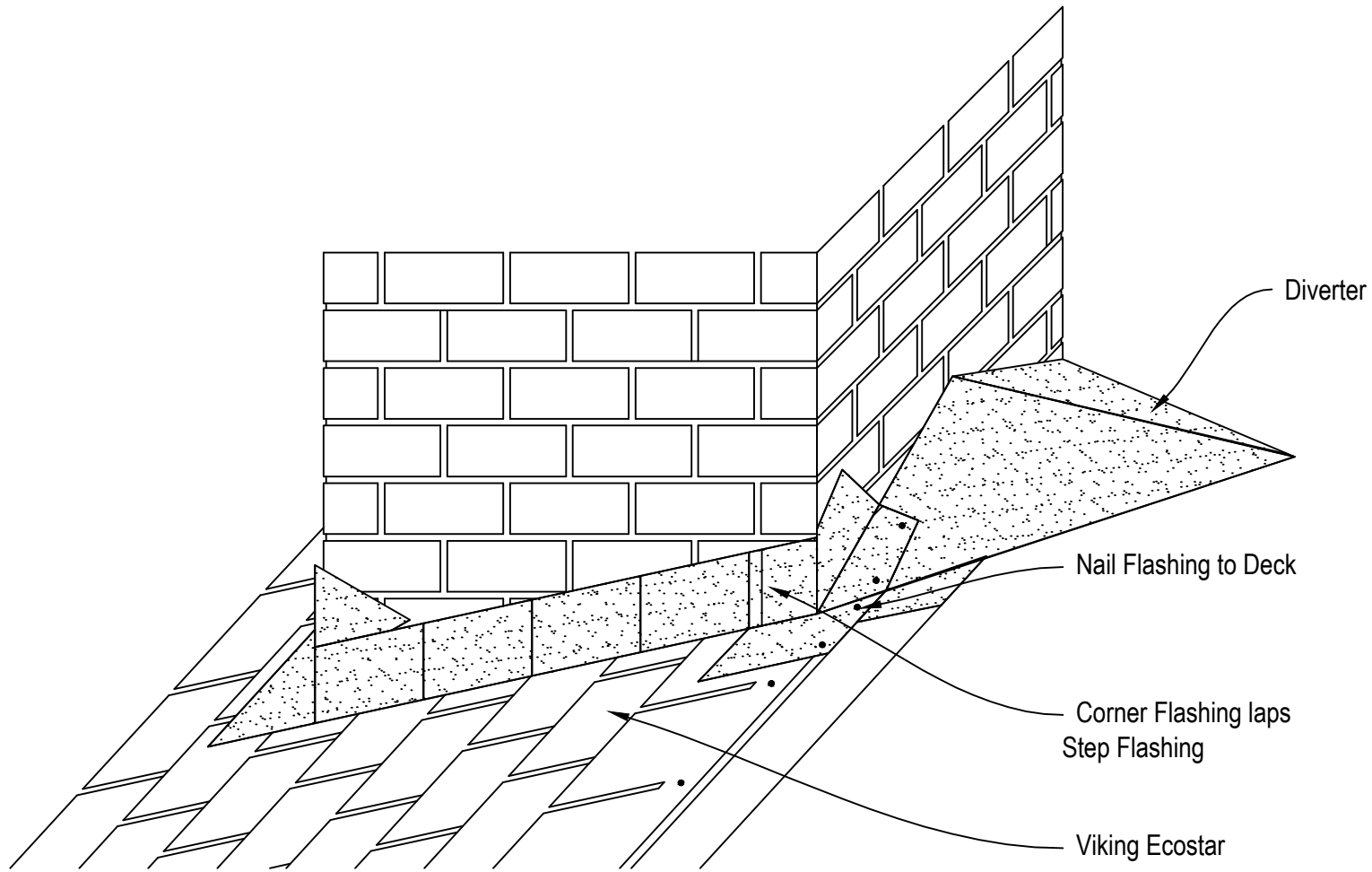


DRAWING TITLE
EcoStar Skylight Detail

NOTES:
Substrate Indicative Only

DRAWING STATUS			
INFORMATION ONLY			
Not to Scale	DATE 19/04/2017	Detail Ref.	ISSUE
DRAWN	Viking	EC08	A

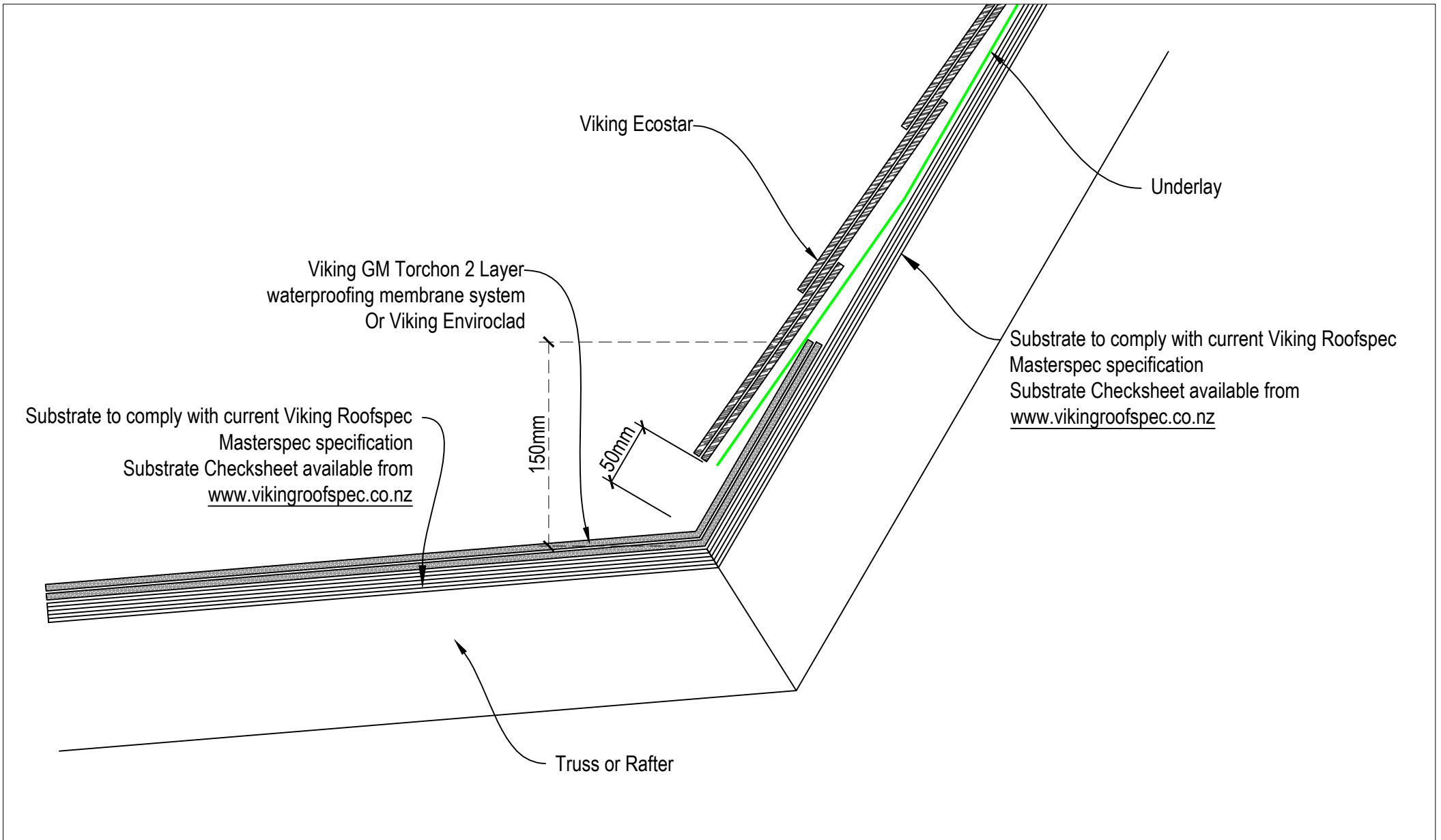




DRAWING TITLE
EcoStar Chimney Detail

NOTES:
Substrate Indicative Only

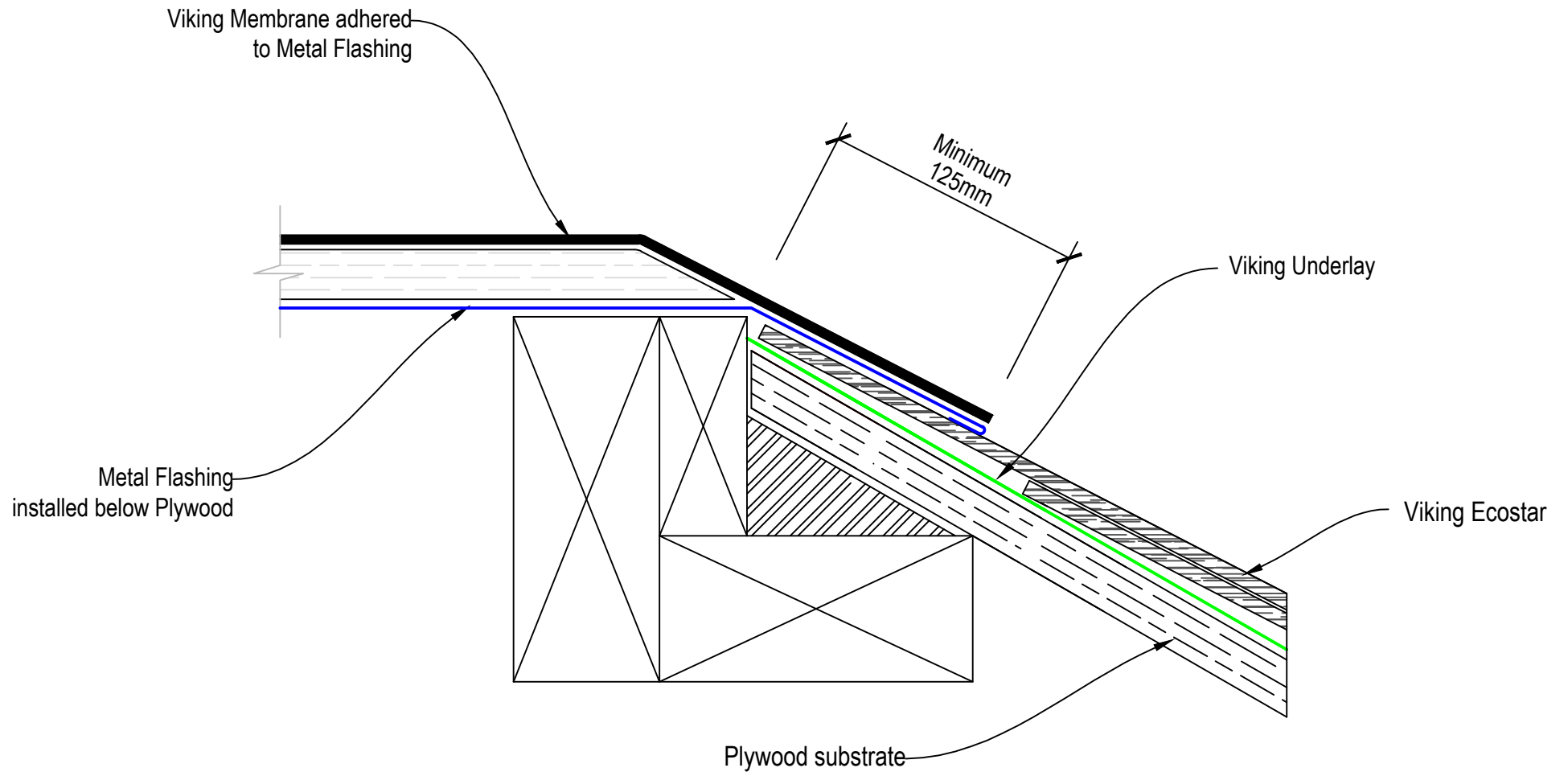
DRAWING STATUS			
INFORMATION ONLY			
Not to Scale	DATE 19/04/2017	Detail Ref.	ISSUE
DRAWN	Viking	EC09	A



DRAWING TITLE
EcoStar Low Slope roof 2° to Ecostar Pitched roof

NOTES:
Substrate Indicative Only

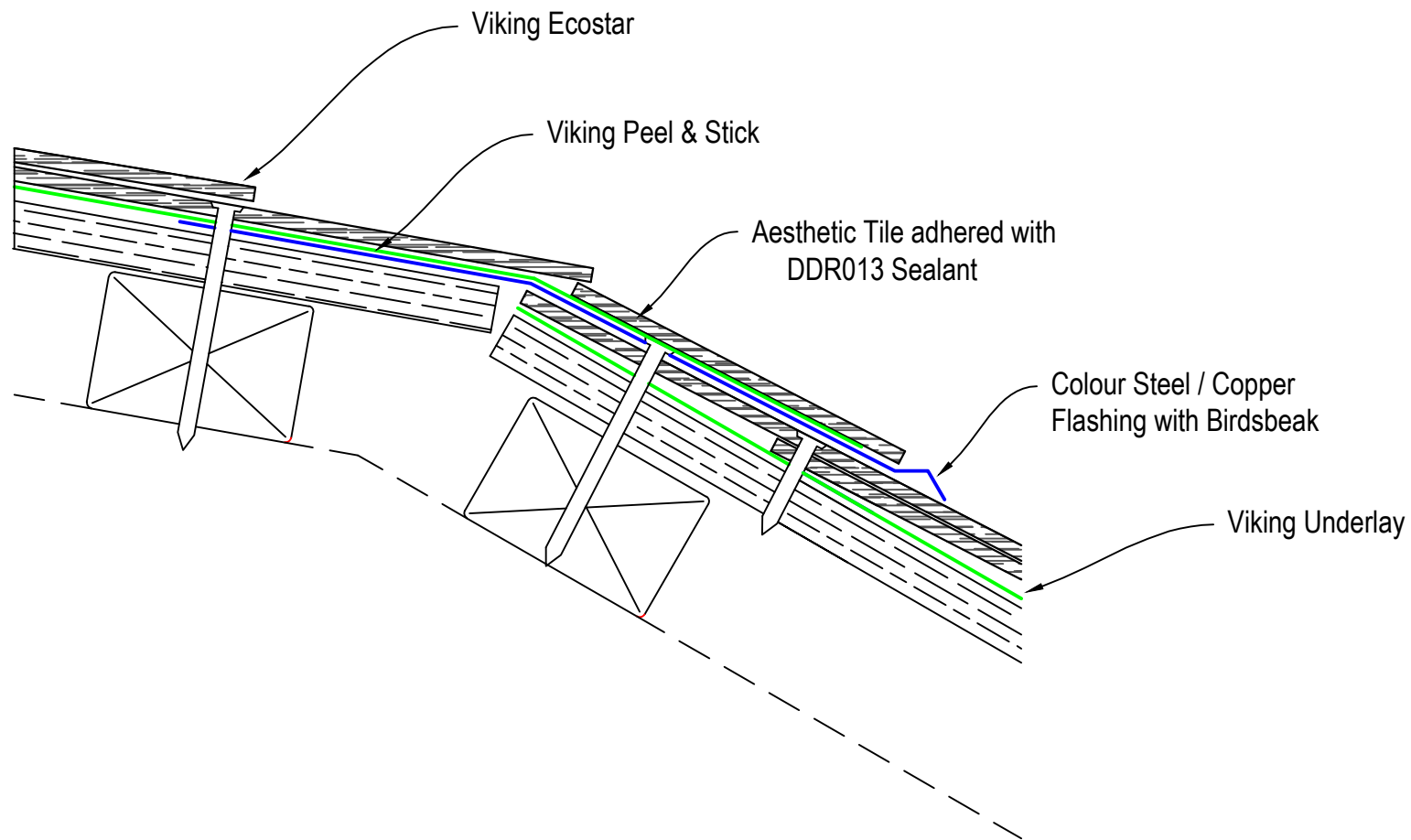
DRAWING STATUS			
INFORMATION ONLY			
Not to Scale	DATE 19/04/2017	Detail Ref.	ISSUE
DRAWN	Viking	EC10	A



DRAWING TITLE
EcoStar Mansard Roof

NOTES:
Substrate Indicative Only

DRAWING STATUS			
INFORMATION ONLY			
Not to Scale	DATE 19/04/2017	Detail Ref.	ISSUE
DRAWN	Viking	EC11	A



DRAWING TITLE
EcoStar Change in Roof Pitch Note: Min. 15° pitch for EcoStar

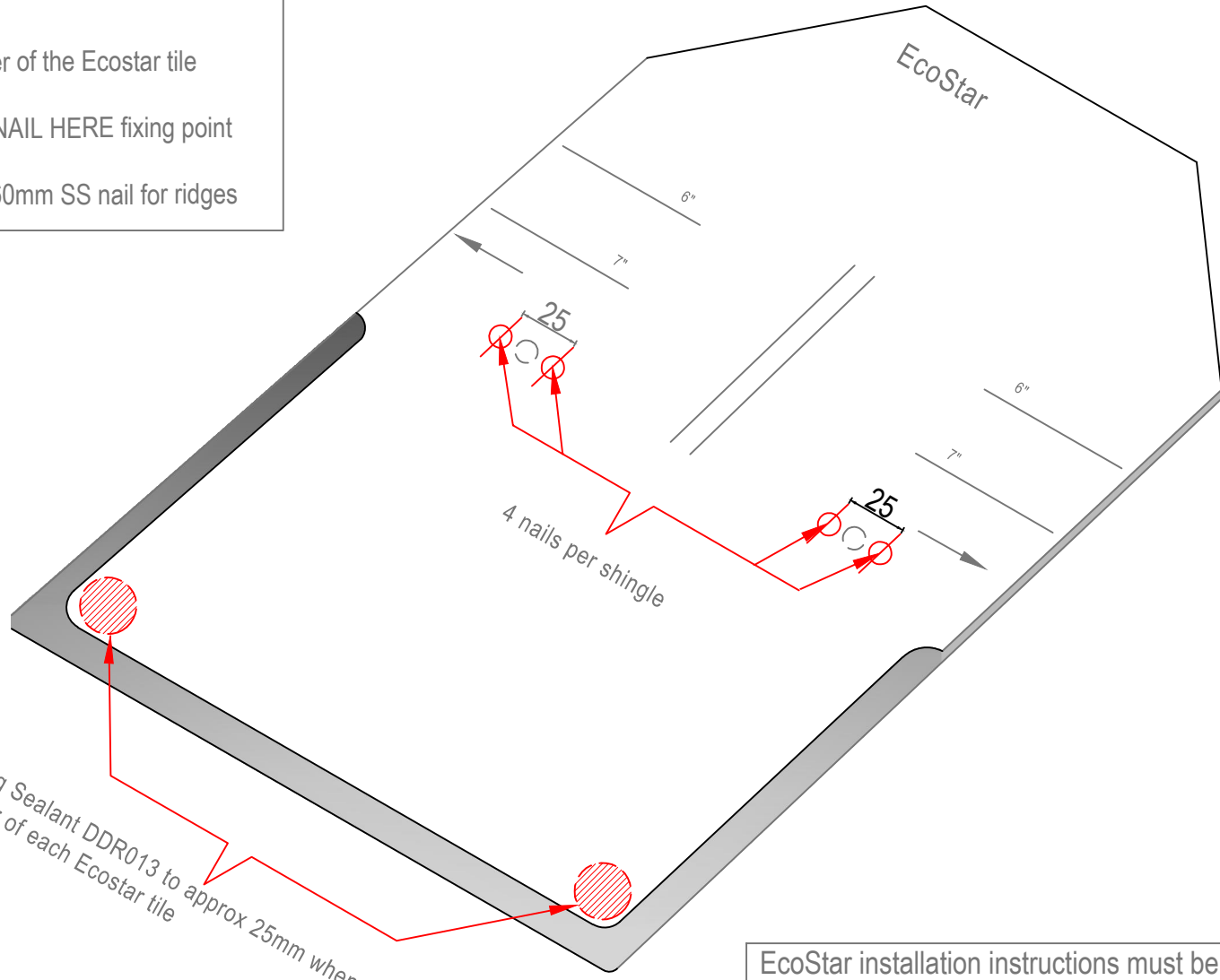
NOTES:
Substrate Indicative Only

DRAWING STATUS			
INFORMATION ONLY			
Not to Scale	DATE 19/04/2017	Detail Ref.	ISSUE
DRAWN	Viking	EC12	A

EcoStar Extra-High Wind fixing requirements

- = 6" 152mm exposure maximum
- = FOUR (4) nails per shingle
- = 2 spots of SES013 sealant. 1 under each corner of the EcoStar tile

EACH NAIL is placed 12.5mm EITHER SIDE of NAIL HERE fixing point  
 Nails to be a minimum...  
 45mm ring-shank SS nail for tiles and hip caps 60mm SS nail for ridges



EcoStar installation instructions must be followed  
 'Bend and Blend' shingles during installation



DRAWING TITLE
EcoStar Extra High Wind fixing requirements up to 55mts / sec = 198kms / hr

NOTES:
Substrate Indicative Only

DRAWING STATUS			
INFORMATION ONLY			
Not to Scale	DATE 10/4/2014	Detail Ref:	ISSUE
DRAWN	DJM	EH wind	A