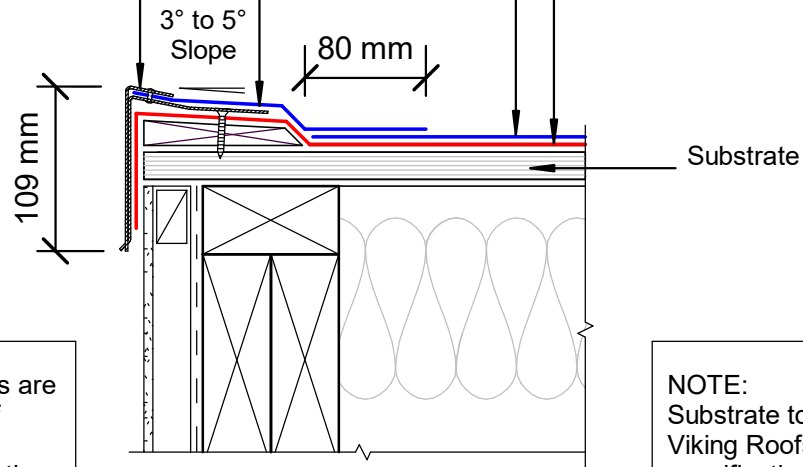


NOTE: Apply Solvent Based Bituminous Primer SES299

Viking Architectural Finishing Series IMT700/701 barge flashing, installed as per manufacturers instructions.

Viking Torch-on CAP sheet 4mm thick, install as per manufacturers instructions

Viking Torch-on BASE sheet 3mm thick, install as per manufacturers instructions



NOTE: Viking AFS Barge Flashings are angled to suit 5° slope to the top of Parapet or Barge. For slopes greater than 5° modifications to these flashings or allow 6 weeks pre-order with Roofspec.

NOTE: Substrate to comply with current Viking Roofspec Masterspec specification. Substrate Checksheet available from www.vikingroofspec.co.nz

DRAWING TITLE

Viking Torch-On
Verge_Barge with Low Profile AFS

NOTES:

- Viking Waterproof Membrane as notated can be Viking Gemini, Lybra or Phoenix Super.
- All fixings, cladding and structure are indicative only unless notated.



Viking Torch-On systems are CodeMarked

DRAWING

INFORMATION ONLY

Scale:	Date:	Drawn:	Viking
Not to Scale	23/11/2020		

Detail Ref: **VIK_TOR_031_VERGBARG**