

Although Viking Roofspec do not recommend fixing posts or plant through the top of Membrane roofs or decks if this is required then use of a plinth detail provides that fixings by other trades are kept off the main deck area.

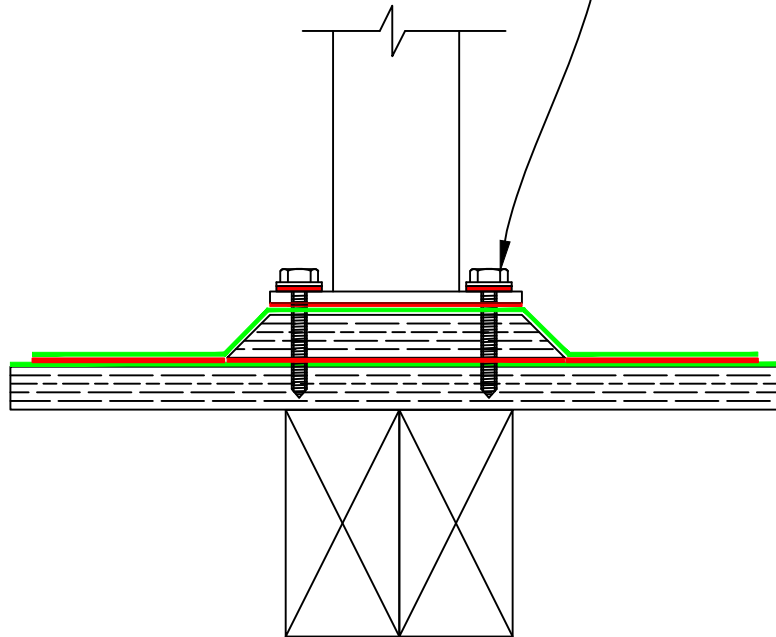
Viking Roofspec recommend that any fixing of plant is kept independent of the membrane roof ideally through vertical surfaces such as parapets. All fixings should be shrouded.

Note: Viking Roofspec or Viking Approved Applicators do not warranty fixings installed by other trades.

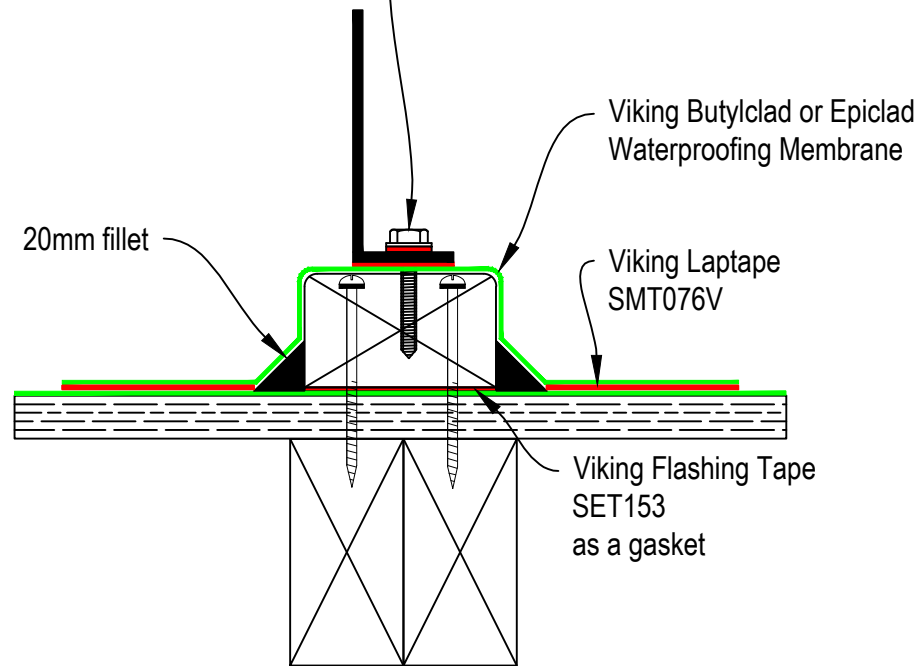
Contact Viking Technical to discuss options Ph.0800 729-799

Note: Bolts and fixings are indicative only

Bracket & Bolt must have compression washers both sides of post base. Installed by other trades.



Bracket & Bolt must have compression washers between both sides of bracket and fixing. Installed by other trades.



DRAWING TITLE
BE24 Butylclad / Epiclad Plinth Details for fixing of mechanical plant

NOTES:
1/ Substrate Indicative Only 2/ All external corners / edges require 5mm min. radius

DRAWING STATUS		
INFORMATION ONLY		
Not to Scale	DATE 29/3/2016	Detail Ref.
DRAWN	Viking	BE24      A
SERIES	1.10	