

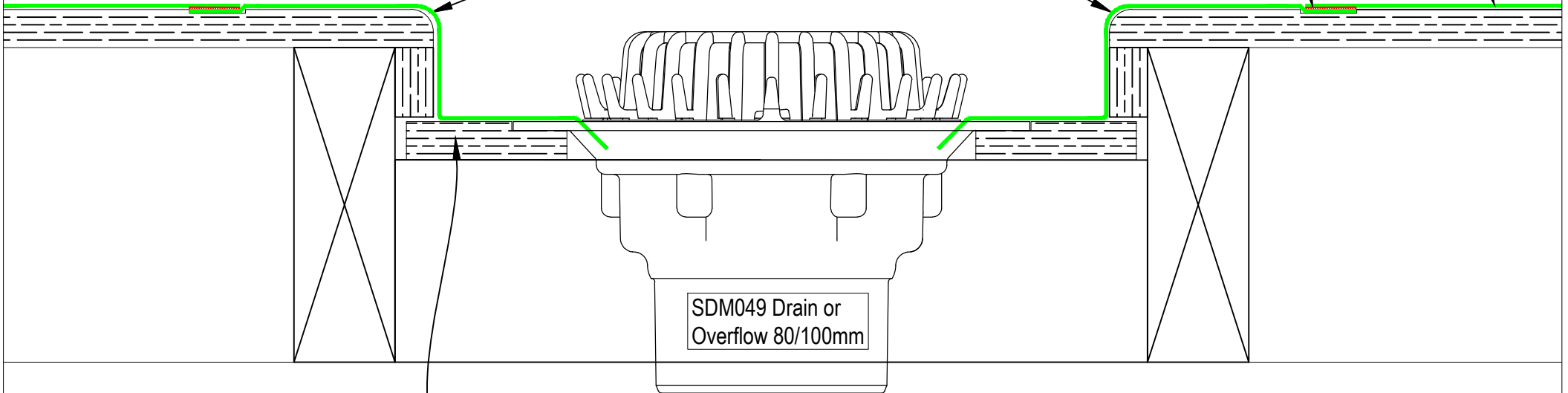
It is Viking Roofspecs view that Internal Gutters can be eliminated in most cases.
 In doing so you may reduce overall heights or increase roof / deck falls while also reducing risk and detail.
 To find out more contact Viking Roofspec Technical 0800 729-799

*E2/AS1 Min. falls for gutters = 1:100

Viking Dec-K-ing
 Waterproofing Membrane

Rebated flush Joint in plywood substrate
 25mm Weld

Minimum 10mm Radius to all external edges



SDM049 Drain or
 Overflow 80/100mm

Substrate to comply with current Viking Roofspec Masterspec specification
 Substrate Checksheet available from www.vikingroofspec.co.nz



DRAWING TITLE

DK17A Dec-K-ing
 Internal Gutter

NOTES:

- 1/ Substrate Indicative Only
- 2/ No fillets required at upstands for Dec-K-ing

DRAWING STATUS

INFORMATION ONLY

Not to Scale	DATE 21/6/2019	Detail Ref.
DRAWN	Viking	DK17A A
SERIES	1.10	