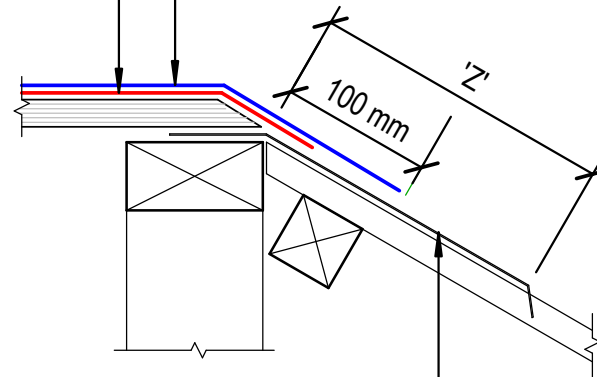


Viking Torch-on CAP sheet 4mm thick, install as per manufacturers instructions

Viking Torch-on BASE sheet 3mm thick, install as per manufacturers instructions

NOTE:  
'Z' = variable according to wind zoning, please refer to table 7 E2/AS1



NOTE:  
Substrate to comply with current Viking Roofspec Masterspec specification  
Substrate Checksheet available from [www.vikingroofspec.co.nz](http://www.vikingroofspec.co.nz)

Metal Flashing for Torch-on use  
3mm Alum. or 2mm S/S

DRAWING TITLE

Viking Torch-On  
Roof Junction\_Mansard Verge

NOTES:

- Viking Waterproof Membrane as notated can be Viking Gemini, Lybra or Phoenix Super.
- All fixings, cladding and structure are indicative only unless notated.

**CodeMark**

Cert # GM-CMNZ30092

Cert # BV-CMNZ70171

Viking Torch-On systems are CodeMarked

DRAWING

INFORMATION ONLY

Scale:	Date:	Drawn:	Viking
--------	-------	--------	--------

Not to Scale	23/11/2020
--------------	------------

Detail Ref:	<b>VIK_TOR_073_RJUNMANV</b>
-------------	-----------------------------

**Viking** Roofspec  
Taking care of detail