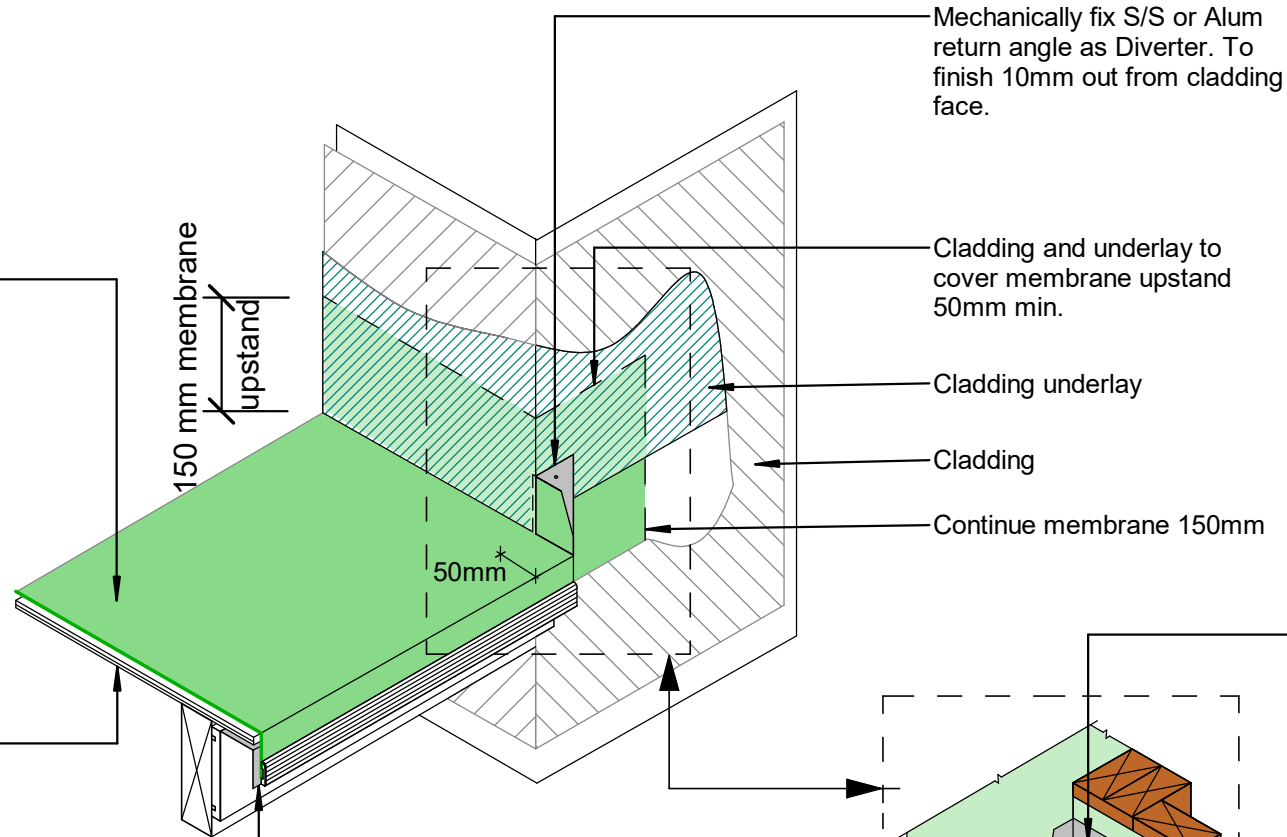


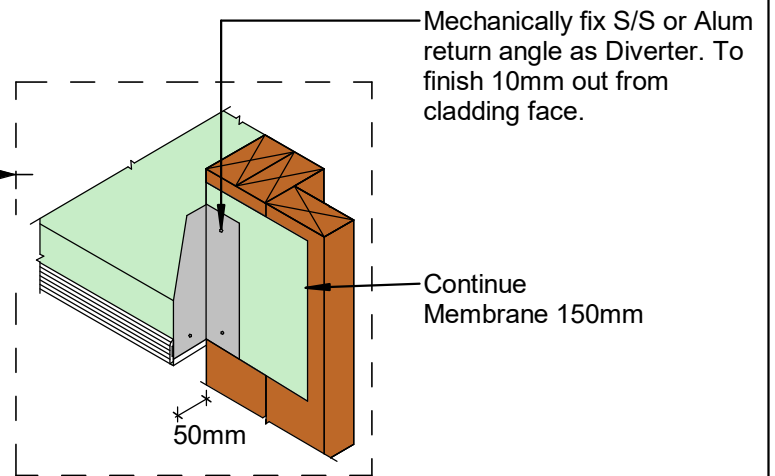
Viking Enviroclad TPO waterproofing membrane 1.52 mm thick, install as per manufacturers instructions



Substrate

NOTE:
Substrate to comply with current Viking Roofspec Masterspec specification
Substrate Checksheet available from www.vikingroofspec.co.nz

TPO coated Alum Angle 50x50mm min. as per E2/AS1
Enviroclad can be welded to drip-edge for a secure termination



DRAWING TITLE

Viking Enviroclad
Verge_edge with wall returning, Diverter for cladding

NOTES:

* Angle fillets are not required at upstands for Enviroclad
* All fixings, cladding and structure are indicative only unless notated



Enviroclad systems are CodeMarked

DRAWING

INFORMATION ONLY

| | | | |
|--------------|------------|--------|--------|
| Scale: | Date: | Drawn: | Viking |
| Not to Scale | 23/11/2020 | | |

Ref: **VIK_ENV_033A_VERGEDGE**