

Important Terminologies:

1. Warm Roof

'WarmRoof' is Viking's generic term for a roof insulating a building by installing rigid foam panels on the outside (on top) of the substrate. A Viking warm roof can be installed on a new substrate or retrofitted to an existing one; both of which must be deemed as structurally compliant by others (qualified professionals).

- 'WarmRoof Economy' includes a layer of any of the Viking PIR board types mechanically-fastened through our self-adhered vapour barrier onto any substrate type. Once again, it can be installed on a new substrate or retrofitted to an existing one and the substrate needs to have been deemed as structurally compliant by others (qualified professionals).

2. WarmSpan

'WarmSpan' is Viking's brand name for our engineer-certified, structural warm roofs where the whole assembly including substrate has been tested and deemed code-compliant.

There are two versions of WarmSpan:

- 'WarmSpan¹' (since 2013) uses Kingspan insulation panels which are adhered to the vapour barrier and/or any of the specifically engineer-tested metal tray substrates (ST900; ST7; Metcom7, Dimond, Roofing Industries) – bonded with Flexible F.A.S.T. Adhesive.
- 'WarmSpan²' uses a single-layer of high-R-value foil-faced PIR insulation board covered with a 6.4mm coverboard which has been adhered to the foil facer of the PIR board. The insulation board is mechanically-fastened using insulated plugs to one of the engineer-tested substrate options being (i) any of the metal substrates listed above with supports as wide as 1800mm, or (ii) 17mm tongue and groove plywood with supports as wide as 900mm centres.

(NB: The waterproofing membrane options for both WarmSpan systems include Viking Enviroclad TPO or Viking Torch-on – fully **adhered** to the surface – not mechanically fastened).

Membrane Choice for WarmRoof / WarmSpan

The following membrane systems are appropriate to be installed on a WarmRoof / WarmSpan roof:

Viking Enviroclad: 1.52mm

Viking Torch-On: 2 layers

Adhesive / Primer/ Fastener Compatibility Matrix for Viking Warm Roof / WarmSpan Options

Product Code	Description	Torch-on to Coverboard	Torch-on Kingspan PIR	Enviroclad to Coverboard	Enviroclad to Kingspan PIR	Coverboard to glass facer PIR	Coverboard to foil facer PIR	Glass facer PIR to vapour barrier	Foil facer PIR to vapour barrier (mech. fastened only)	Vapour barrier to substrate
SES299	Solvent based Torch-on primer	✓	✓	✗	✗	✗	✗	✗	✗	✗
STP000	Sure Weld Adhesive	✗	✗	✓	✓	✗	✗	✗	✗	✗
STP904	Cav Grip III	✗	✗	✓	✓	✗	✗	✗	✗	✗
STP901a and STP901b	Dual Tank Flexible F.A.S.T.	✗	✗	✗	✗	✓	✓	✓	✓	✗
STP900D	Soudal Single pack polyurethane	✗	✗	✗	✗	✓	✓	✓	✓	✗
SES301	Vapour barrier primer	✗	✗	✗	✗	✗	✗	✗	✗	✓
	plates or Insulated plugs and screws	✗	✗	✗	✗	✗	✗	✓	✓	✓



VWR050

Kingspan TR27 Polyiso Sheets – Glass-Facer

Product Code	Description	Thickness	Size**	Long Term* R – Value	Stocked In
VWR025B	Polyiso	25mm	1.20m x 2.27m	0.95	AK, ChC
VWR050	Polyiso	50mm	1.20m x 2.27m	1.85	AK, ChC
VWR075	Polyiso	75mm	1.20m x 2.27m	2.75	AK, ChC
VWR100	Polyiso	100mm	1.20m x 2.27m	4.00	AK, ChC

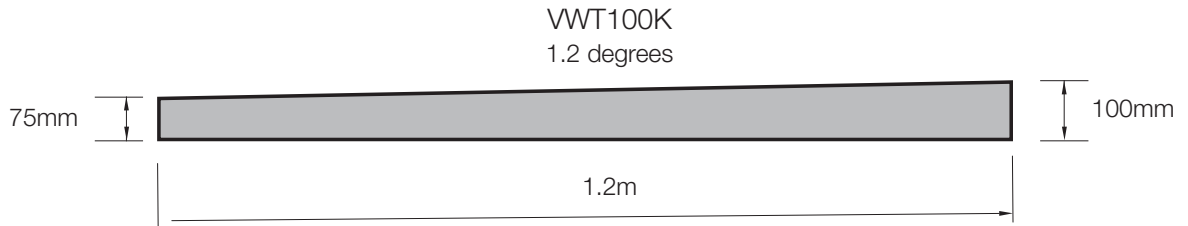
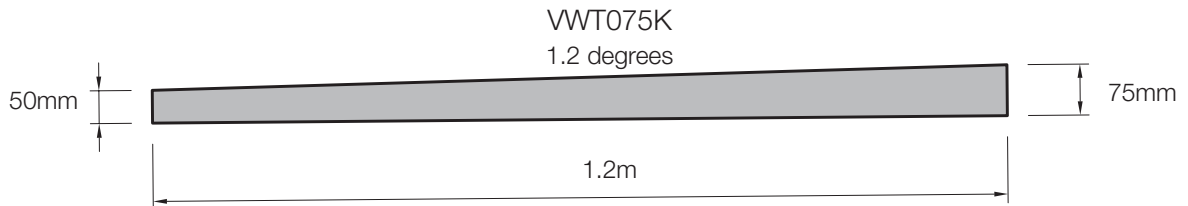
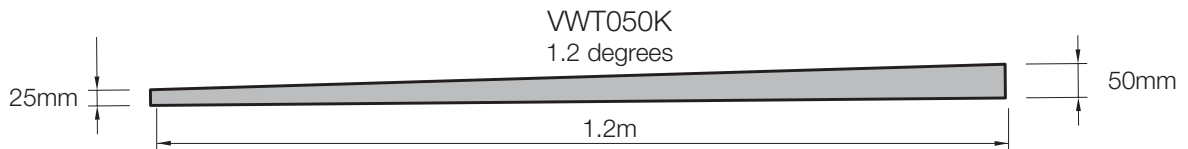
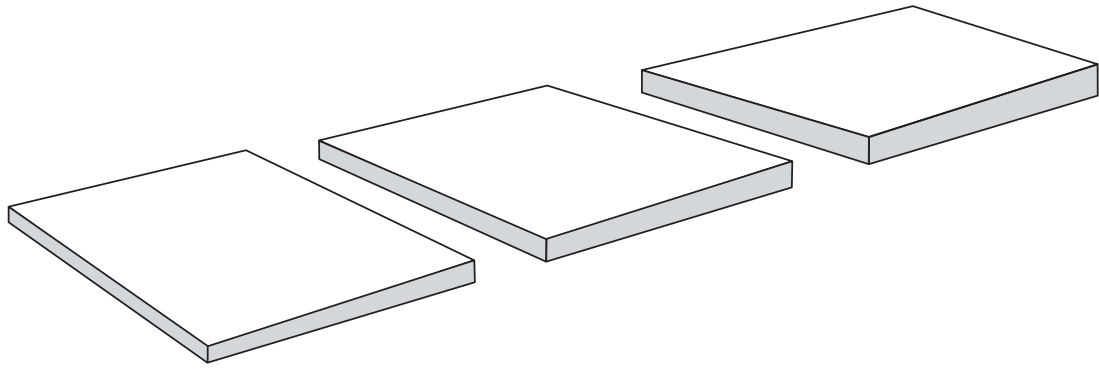
- *Average R-Value over 15 year period
- **Sheet lengths may vary. Check with Customer Services first
- Can be adhered or mechanically fastened to the substrate and can be used with or without coverboard

Conqueror Polyiso Sheets – Foil-Facer

Product Code	Description	Thickness	Size**	Long Term* R – Value	Stocked In
VWR085F	Polysio	85mm	1.2m x 2.40m	4.14	AK, ChC
VWR140F	Polysio	140mm	1.2m x 2.40m	6.57	AK, ChC

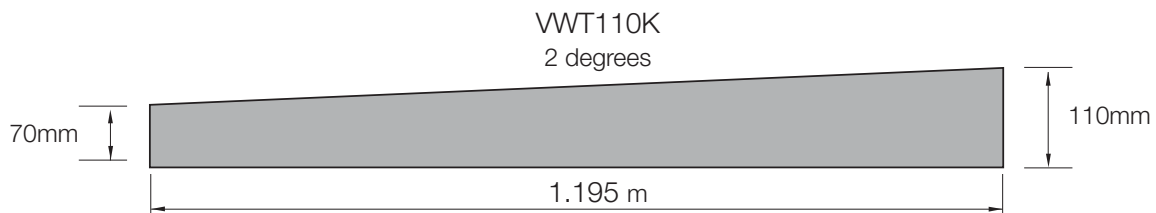
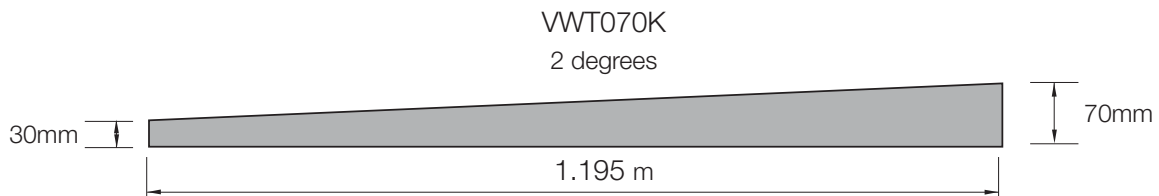
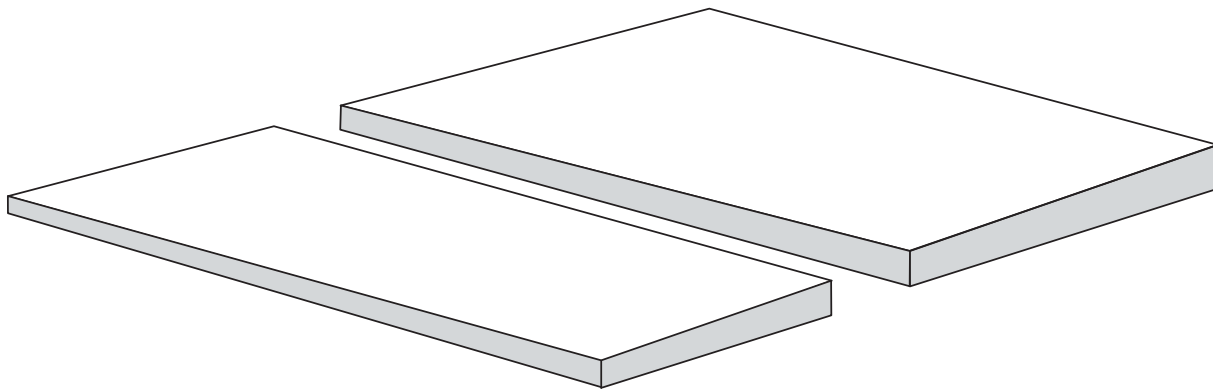
- *Must be mechanically fastened and used with a coverboard
- **Sheet lengths may vary. Check with Customer Services first
- Alternate thicknesses available on request

[back to contents](#)



Kingspan TT47 1.2 degrees Taper Polyiso Sheets – Glass-Facer

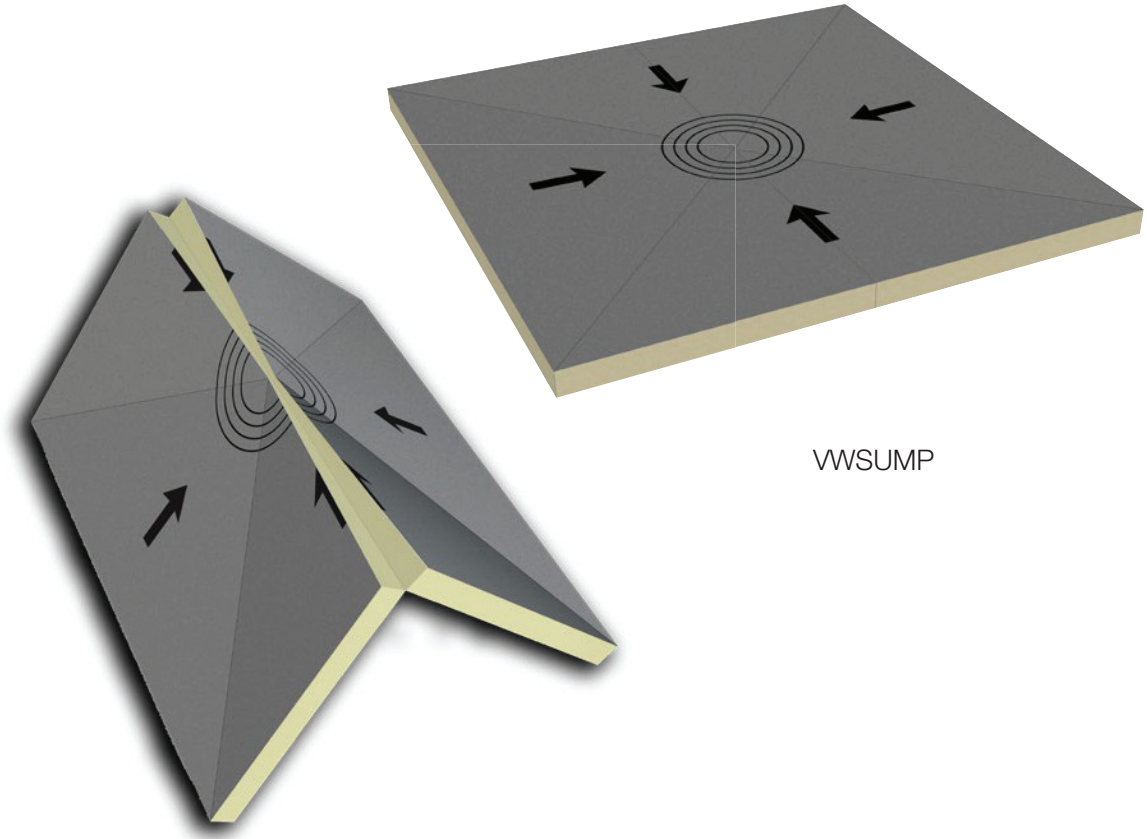
Product Code	Description	Thickness	Slope	Size	Long Term R – Value*	Stocked In
VWT050K	Tapered Polyiso	50mm – 25mm	1.2°	1.2m x 1.2m	R 1.38	AK
VWT075K	Tapered Polyiso	75mm – 50mm	1.2°	1.2m x 1.2m	R 2.30	AK
VWT100K	Tapered Polyiso	100mm – 75mm	1.2°	1.2m x 1.2m	R 3.38	AK



Kingspan TT47 2 degrees Tapered Polyiso Sheets – Glass-Facer

Product Code	Description	Thickness	Slope	Size	Long Term R – Value	Stocked In
VWT070K	Tapered Polyiso	70mm – 30mm	2°	1.195 x 2.285m	R 2.19	AK
VWT110K	Tapered Polyiso	110mm – 70mm	2°	1.195 x 2.285m	R 4.01	AK

[back to contents](#)



VWSUMP

Tapered Target Sump – Paper Facer				
Product Code	Description	Thickness	Long Term R – Value*	Stocked In
VWSUMP	Inward sloping panel to surround drains	38mm – 12.8mm	Approx 1.3	AK
*For single ply membranes only unless covered with a cover board				



VWR725A



SES301

Vapour Barrier and Primer

Product Code	Description	Size	Est. Coverage	Weight	M ³	Stocked In
SES301	Vapour Barrier Primer Solvent Based	19L	80m ² /pail	20kg	0.03	AK, ChC
VWR725A	Vapour Barrier	1.0m x 30.4m		28kg	0.07	AK, ChC

Refer Viking Product Data Sheet Vapour Barrier VWR725A for installation guidance



Insulated Drains				
Product Code	A	B	C	Stocked In
SDM022	Made to order	300mm	100mm	AK
SDM023	Made to order	300mm	80mm	AK
Made to order - 3 week leadtime				



Fasteners, Plates and Plugs

Product Code	Description	Size	Stocked In
VWR001	Ply / Steel Tray Fasteners	50mm length	AK, ChC
VWR002	Ply / Steel Tray Fasteners	76mm length	AK, ChC
VWR003	Ply / Steel Tray Fasteners	100mm length	AK, ChC
VWR005	Rhino Plates*	80mm dia	AK, ChC
VWR006	Polyiso Plates**	76mm dia	AK, ChC
VWR007	Concrete Fasteners	50mm length	AK, ChC
VWR008	Concrete Fasteners	76mm length	AK, ChC
VWR009	Concrete Fasteners	100mm length	AK, ChC
STP225	Insulated Plug**	65mm length	AK, ChC
STP227	Insulated Plug**	105mm length	AK, ChC
STP228	Insulated Plug**	195mm length	AK
STP228a	Insulated Plug**	225mm length	AK
STP229	Insulated Plug**	275mm length	AK

- *For Rhinobond installations only
- **Number of plates or insulation plugs per sheet will depend upon wind pressure requirements
- Longer fasteners may be available on request

[back to contents](#)



STP226a



STP226



STP226b

Tools for Mechanically - Fastening Warm Roofs

Product Code	Description	Stocked In
STP226a	Driver Bit 350mm (Torx Profile)	AK
STP226	Ecotech Tool for Insulation Plug Insertion (600mm)	
STP226b	450mm drill Bit	



STP900B



STP900d



STP900e



STP900d1



STP912



STP901a / STP901b

NEW PRODUCT

Caulking Gun, F.A.S.T Adhesive and Accessories

Product Code	Description	Stocked In
STP900B	Flexible F.A.S.T Adhesive Dual Cartridge (1.5litre/set (750ml A+B) (Average 7 – 10m ² / set)	AK, WN, ChC
STP912	Dual Cartridge Manual Caulking Gun (Short)	
STP901a / STP901b	Flexible F.A.S.T. Adhesive Dual tank (18.9L) (approx. 320m ² coverage for A + B set). Includes hose and nozzles	AK, ChC
STP900d	Single Pack Spray Adhesive 750ml. Allow 1 set per 2 sheets of PIR Polyiso or Coverboard	
STP900d1	Click and Fix Foam Gun for STP900d	
STP900e	Cleaner for Click and Fix Foam Gun	

[back to contents](#)

NEW
PRODUCT

STP900a



STP900ab



STP900ac



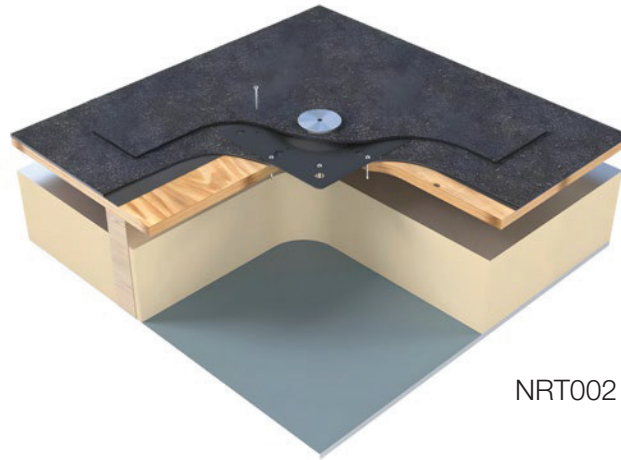
STP900ad



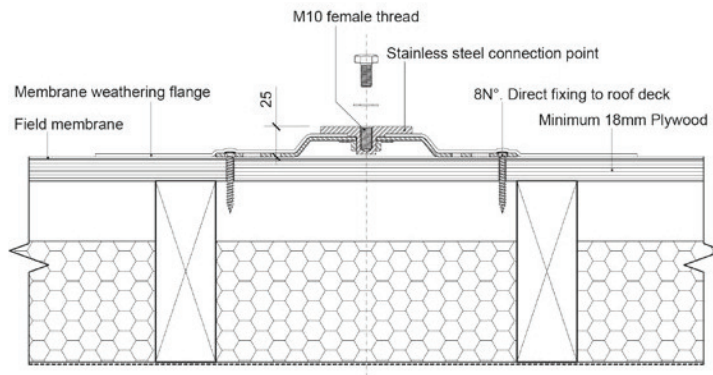
STP900ag

Soundatherm 330 Adhesive System

Product Code	Description	Stocked In
STP900a	Soundatherm 330 (10.5kg)	AK, ChC
STP900ab	Soundatherm Backpack	AK, ChC
STP900ac	Soundatherm Cleaning Adaptor Ring	AK, ChC
STP900ad	Soundatherm Foam Cleaner (Screw top)	AK, ChC
STP900ag	Soundatherm 330 gun	AK, ChC



NRT002



Rooftrak Anchor System*				
Product Code	Description	Dimensions	Membrane Type	Stocked In
NRT001	Anchor for Mounting Plant (Pre-applied Membrane Flange)	250mm x 250mm x 25mm Height	Enviroclad	AK
NRT002	Anchor for Mounting Plant (Pre-applied Membrane Flange)	250mm x 250mm x 25mm Height	Torch-On	AK

*For mounting plant on roofs or adding on walls