

Viking Dec-K-ing PVC Membrane



Sandy Landau Grey



Sandy Pearl



Stonehenge



Sand Pebble



Baltic



Prairie Barn



Country Cottage

Dec-K-ing PVC Membrane

Product Code	Description	Colour	Thickness	Width	Origin
SDA207	Dec-K-ing PVC	Landau Grey	1.5mm	1830mm	Canada
SDA212	Dec-K-ing PVC	Sandy Pearl	1.5mm	1830mm	Canada
SDA217	Dec-K-ing PVC	Stonehenge	1.5mm	1830mm	Canada
SDA501	Dec-K-ing PVC	Sand Pebble	1.5mm	1830mm	Canada
SDA503	Dec-K-ing PVC	Baltic	1.5mm	1830mm	Canada
SDA504	Dec-K-ing PVC	Prairie Barn	1.5mm	1830mm	Canada
SDA505	Dec-K-ing PVC	Country Cottage	1.5mm	1830mm	Canada

- Dec-K-ing PVC membrane is sold cut-to-length
- Order material as batch lot for each job. Colour shading may vary slightly between batches

Viking Dec-K-ing Accessories



STP860



STP870

Adhesive and Sealants

Product Code	Description	Size	Weight	M ³	Origin
STP860	Universal Single-Ply Sealant	300ml	N/A	N/A	USA
STP870	Water Cut Off Mastic	300ml	N/A	N/A	USA

*Rates are indicative only. Coverage depends on surface texture and condition

Viking Dec-K-ing Accessories



VPS100A



VPS100B

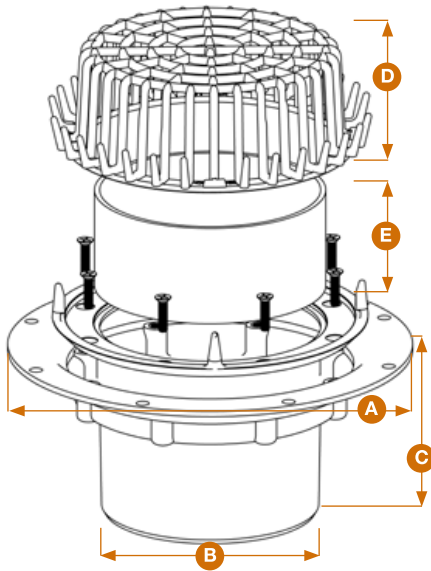
Water-based Epoxy

Product Code	Description	Size	Est. Coverage*	Origin
VPS100A	Viking Primer Sealer Part A	10L	6 – 8m ² per litre per coat of A+B mixture	NZ
VPS100B	Viking Primer Sealer Part B	10L		NZ
VPS104A	Viking Primer Sealer Part A	4L		NZ
VPS104B	Viking Primer Sealer Part B	4L		NZ

*Rates are indicative only. Coverage depends on surface texture and condition

- Can be used with all membranes except Torch-On
- Apply 2 coats for shower protection and to seal concrete
- Allow 2 hrs drying time above 10°C
- 72 hours curing before applying solvent adhesives

Viking Dec-K-ing Accessories



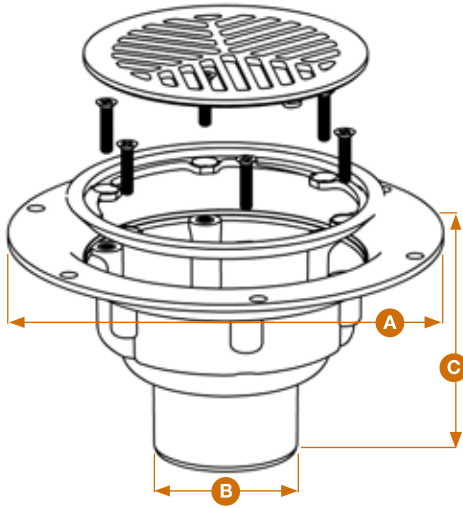
SDM051

Dual-Purpose Drain or Over-flow

	Dimensions	SDM065	SDM049	SDM051	Origin
A	Flange Diameter	170mm	230mm	280mm	NZ
B	Downpipe Diameter	65mm	80 / 100mm	150mm	NZ
C	Drain Depth	80mm	120mm	120mm	NZ
D	Grate Height	33mm	44mm	74mm	NZ
E	Overflow Collar Height	30mm	38mm	69mm	NZ

Can be used with all membrane types

Viking Dec-K-ing Accessories



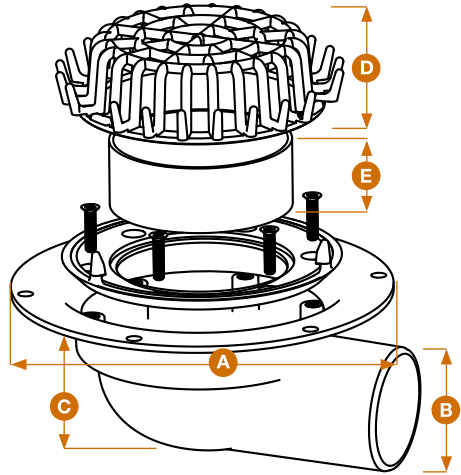
SDM050

Deck Drain with Grill				
	Dimensions	SDM050b	SDM050	Origin
A	Flange Diameter	170mm	230mm	NZ
B	Downpipe Diameter	65mm	80 / 100mm	NZ
C	Drain Depth	80mm	120mm	NZ
Can be used with all membrane types				

Viking Dec-K-ing Accessories



SDM055



Dual-Purpose Drain or Over-flow Side Exit Pipe

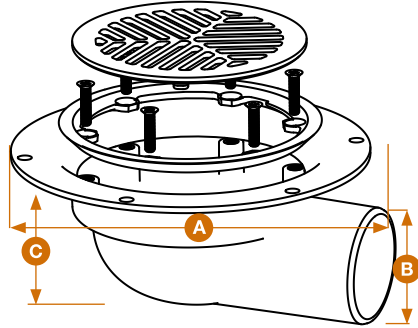
	Dimensions	SDM055	Origin
A	Flange Diameter	230mm	NZ
B	Side Exit Pipe Diameter	80mm	NZ
C	Drain Depth	100mm	NZ
D	Grate Height	44mm	NZ
E	Overflow Collar Height	38mm	NZ

Can be used with all membrane types

Viking Dec-K-ing Accessories



SDM056



Deck Drain with Side Exit Pipe

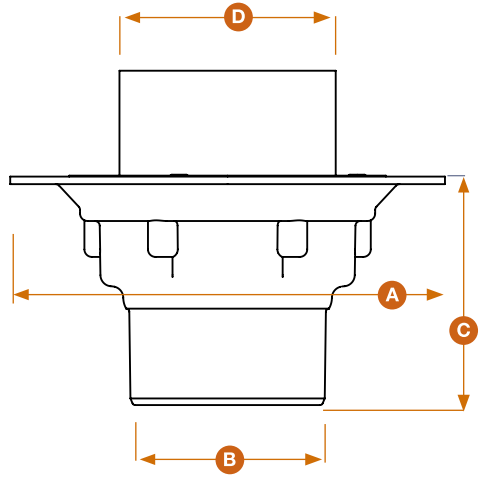
	Dimensions	SDM056	Origin
A	Flange Diameter	230mm	NZ
B	Side Exit Pipe Diameter	80mm	NZ
C	Drain Depth	100mm	NZ

Can be used with all membrane types

Viking Dec-K-ing Accessories

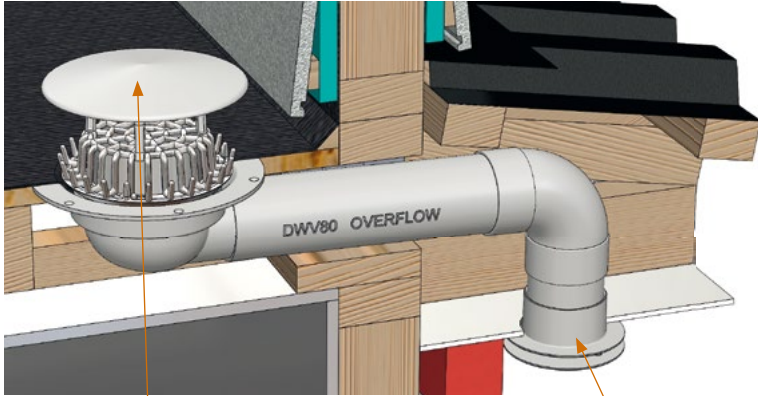


SDM066



Inter-Balcony Drains - Vented					
	Dimensions	SDM066C	SDM066	SDM066A	SDM066B
A	Flange diameter	175mm	175mm	230mm	282mm
B	Outlet Diameter	65mm	80mm	100mm	150mm
C	Drain Depth	75mm	83mm	117mm	118mm
D	Junction Diameter	70mm	83mm	111mm	161mm

Viking Dec-K-ing Accessories



SDM063



SDM060

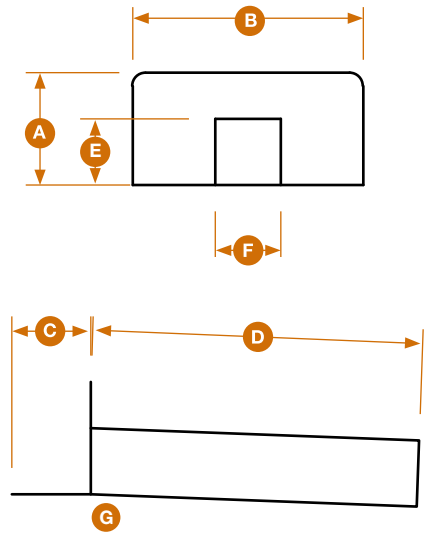
Overflow Soffit Trims and Hats

Product code	Description	Origin
SDM062	Soffit trim 65mm	NZ
SDM060	Soffit Trim 80mm	NZ
SDM061	Soffit Trim 100mm	NZ
SDM064	Overflow Hat 65mm	NZ
SDM063	Overflow Hat 80/100mm	NZ
SDM063b	Overflow Hat 150mm	NZ

Viking Dec-K-ing Accessories



SDM052



Scuppers			
	Dimensions	SDM052	Origin
A	Face Height	125mm	Italy
B	Face Width	310mm	Italy
C	Flange Width	110mm	Italy
D	Outlet Length	450mm	Italy
E	Aperture Height	65mm	Italy
F	Aperture Width	100mm	Italy
G	Drain Slope	1°	Italy
	Colour	Light Grey	Italy

SDM052 only to be used with Dec-K-ing

Viking Dec-K-ing Accessories



SDF320



SDF310



SDF110

Fastening Bar and Drip-edges

Product Code	Description	Colour	Width	Length	Origin
SDF110	Dec-K-ing Fasten/drip	Grey	25mm	2.4m	Canada
SDF310	PVC Coated Galv/drip*	Grey	55mm x 50mm	2.4m	Canada
SDF320	PVC Coated Metal (Galv)*	Grey	1.2m	2.4m	Canada

*Only to be used with Dec-K-ing

Viking Dec-K-ing Accessories



SDM084

90° External Corners			
Product Code	Description	Colour	Origin
SDM068	Dec-K-ing 90° External Corner	Sandy Pearl	Canada
SDM070	Dec-K-ing 90° External Corner	Stonehenge	Canada
SDM072	Dec-K-ing 90° External Corner	Landau Grey	Canada
SDM084	Dec-K-ing 90° External Corner	Sand Pebble	Canada
SDM090	Dec-K-ing 90° External Corner	Baltic	Canada
SDM093	Dec-K-ing 90° External Corner	Prairie Barn	Canada
SDM096	Dec-K-ing 90° External Corner	Country Cottage	Canada

Viking Dec-K-ing Accessories



SDM089

90° Internal Corners			
Product Code	Description	Colour	Origin
SDM067	Dec-K-ing 90° Internal Corner	Sandy Pearl	Canada
SDM069	Dec-K-ing 90° Internal Corner	Stonehenge	Canada
SDM071	Dec-K-ing 90° Internal Corner	Landau Grey	Canada
SDM083	Dec-K-ing 90° Internal Corner	Sand Pebble	Canada
SDM089	Dec-K-ing 90° Internal Corner	Baltic	Canada
SDM092	Dec-K-ing 90° Internal Corner	Prairie Barn	Canada
SDM095	Dec-K-ing 90° Internal Corner	Country Cottage	Canada

Viking Dec-K-ing Accessories



SDM091

Door Transit Boot			
Product Code	Description	Colour	Origin
SDM078	Dec-K-ing Door Transit Boot	Sandy Pearl	Canada
SDM079	Dec-K-ing Door Transit Boot	Stonehenge	Canada
SDM080	Dec-K-ing Door Transit Boot	Landau Grey	Canada
SDM085	Dec-K-ing Door Transit Boot	Sand Pebble	Canada
SDM091	Dec-K-ing Door Transit Boot	Baltic	Canada
SDM094	Dec-K-ing Door Transit Boot	Prairie Barn	Canada
SDM097	Dec-K-ing Door Transit Boot	Country Cottage	Canada

Viking Dec-K-ing Accessories



SDM140



SDM163



SDM137

Welding Tools

Product Code	Description	Amp	Origin
SDM137	Leister Uniroof 'E' Welder	13 amp	Switzerland
SDM140	Leister Hand Welder	7 amp	Switzerland
SDM163	Leister Uni Drive 500	10 amp	Switzerland

Viking Dec-K-ing Accessories



LEIST 1

Welding Tool Kits		
Product Code	Description	Origin
LEIST 1	Leister Hand Welder (7 amp) with: 40mm roller; brass roller; 40mm and 20mm nozzles; seam probe and carry case	Switzerland
LEIST 2	Leister Hand Welder (7 amp with digital reading) with: 40mm roller; brass roller; 40mm nozzle and carry case	Switzerland
LEIST 3	Leister Hand Welder (7 amp with digital reading) with: 40mm roller; brass roller, 40mm and 20mm nozzles; seam probe and carry case	Switzerland

Viking Dec-K-ing Accessories



SDM145



SDM146



SDM147



SDM148



SDM149



SDM151

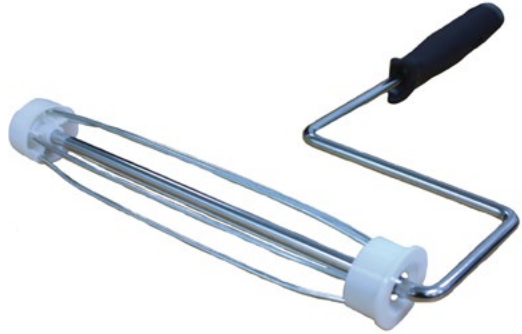
Welding Nozzles

Product Code	Description	Width and angle	Origin
SDM145	Nozzle	20mm Standard	Switzerland
SDM146	Nozzle	20mm 120°	Switzerland
SDM147	Nozzle	20mm 60°	Switzerland
SDM148	Nozzle	40mm 60°	Switzerland
SDM149	Nozzle	40mm Standard	Switzerland
SDM151	Nozzle	20mm 90°	Switzerland

Viking Dec-K-ing Accessories



SDM175



SDM176

Roller and Sleeve

Product Code	Description	Origin
SDM175	Dec-K-ing Sleeve (230mm)	Canada
SDM176	Dec-K-ing Roller Cage (230mm)	Canada

Viking Dec-K-ing Accessories



SRG003C

Membrane Protection Mat			
Product Code	Description	Size	Origin
SRG003C	Membrane Protection Mat*	4.0m wide	USA
To be used with all Membranes (* Sold cut-to-length)			