

Sheet List

Sheet Number	Sheet Name
VIK_ENV_000_INDEX001	Viking Roofspec Details Schedule
VIK_ENV_000_NOTES001	Best practice design in Membrane Roofing
VIK_ENV_000_NOTES002	Revit Notes
VIK_ENV_001_PENEOUTL	Penetration_Outlet and Overflow
VIK_ENV_001A_PENEOUTL	Penetration_Outlet and Overflow Side Exit
VIK_ENV_002_PENEBALC	Penetration_Balcony Drain 80mm
VIK_ENV_002A_PENEBALC	Penetration_Balcony Drain 100mm
VIK_ENV_003_PENESUMP	Penetration_Sump Outlet with Overflow
VIK_ENV_004_PENEPLIN	Penetration_Plinth direction to divert watershed
VIK_ENV_004A_PENECRIK	Penetration_Cricket Diverter for watershed
VIK_ENV_005_VERTPIPE	Penetration_Vertical pipe
VIK_ENV_005A_HORIPPIPE	Penetration_Horizontal pipe
VIK_ENV_006_VERTDUCT	Penetration_Vertical ducting pipe
VIK_ENV_006A_HORIDUCT	Penetration_Horizontal ducting pipe
VIK_ENV_007_PENEFLUE	Penetration_Flue or Oversize Pipe
VIK_ENV_008_SKYLACCH	Penetration_Skylight or Roof Access hatch
VIK_ENV_009_POSTDECK	Penetration_Square Post through decking
VIK_ENV_010_PENETPO	Penetration_TPO Pourable pocket and sealant
VIK_ENV_011_PENEPOST	Penetration_Post or Rail for Plant Room equipment
VIK_ENV_012_PENEPLIN	Penetration_Plinth base for Balustrade
VIK_ENV_013_PENEPLIN	Penetration_Plinth for concrete or timber
VIK_ENV_014_PENEACOU	Penetration_Acoustic Mounting Block
VIK_ENV_015_PENEJOT	Penetration_EJOT Plinth for Enviroclad
VIK_ENV_020_VENTROOF	Ventilation_Cavity Vent
VIK_ENV_020A_VENTROOF	Ventilation_Aluminium Cavity Vent
VIK_ENV_020B_VENTROOF	Ventilation_Substrate Roof vent for concrete
VIK_ENV_020C_VENTROOF	Ventilation_Substrate Aluminium Roof vent for concrete
VIK_ENV_021_VENTDRIP	Ventilation_Cavity vent at Drip edge
VIK_ENV_021A_VENTPAPA	Ventilation_Cavity vent at Parapet
VIK_ENV_021B_VENTSOFF	Ventilation_Cavity vent through Soffit
VIK_ENV_030_VERGBARG	Verge_Barge
VIK_ENV_031_VERGBARG	Verge_Barge with Low Profile AFS
VIK_ENV_031A_VERGBARG	Verge_Barge with Low Profile AFS in ISOMETRIC

Sheet List

Sheet Number	Sheet Name
VIK_ENV_032_VERGD RIP	Verge_Drip edge to External Spouting
VIK_ENV_033_VERGEDGE	Verge_edge with wall continuing, Diverter for cladding
VIK_ENV_033A_VERGEDGE	Verge_edge with wall returning, Diverter for cladding
VIK_ENV_040_PARACAP	Parapet_with Cap
VIK_ENV_040A_PARAWALL	Parapet_Parapet meets wall
VIK_ENV_041_PARASCUP	Parapet_with scupper outlet
VIK_ENV_042_PARAOVER	Parapet_with overflow
VIK_ENV_050_GUTTOUTL	Internal Gutter_with outlet
VIK_ENV_051_GUTTWALL	Internal Gutter_to Wall
VIK_ENV_052_GUTTWALL	Internal Gutter_with outlet / overflow
VIK_ENV_060_INTSECRN	Intersection_External corner
VIK_ENV_061_INTSICNR	Intersection_Internal corner
VIK_ENV_062_INTSSUBS	Intersection_Substrate Expansion
VIK_ENV_062A_INTSSUBS	Intersection_Substrate Expansion Ply to Concrete
VIK_ENV_063_INTSSEIS	Intersection_Seismic Gap Generic
VIK_ENV_064_INTSRIDG	Intersection_Ridge / Hip
VIK_ENV_065_INTSVALL	Intersection_Valley
VIK_ENV_066_INTSSHEL	Intersection_Sheet Lap
VIK_ENV_067_INTSHTT	Intersection_Sheet T-Joint
VIK_ENV_068_INTSLAPT	Intersection_Lap Transition
VIK_ENV_070_RJUNUPST	Roof Junction_Upstand to Pitched Roofing
VIK_ENV_071_RJUNMETL	Roof Junction_Membrane to Pitched Roofing Longrun
VIK_ENV_071A_RJUNTILE	Roof Junction_Membrane to Pitched Roofing Tiles
VIK_ENV_071B_RJUNSHIN	Roof Junction_Membrane to Pitched Roofing Shingles
VIK_ENV_072_RJUNGUTI	Roof Junction_Metal Roof to Internal Gutter
VIK_ENV_073_RJUNMANV	Roof Junction_Mansard Verge
VIK_ENV_074_RJUNDORM	Roof Junction_Dormer ISO
VIK_ENV_074A_RJUNDORM	Roof Junction_Dormer Gutter
VIK_ENV_080_APRNUPST	Apron_Upstand behind cladding
VIK_ENV_080A_APRNURAB	Apron_Upstand to RAB behind cladding
VIK_ENV_081_APRNUTER	Apron_Upstand terminations without cladding
VIK_ENV_090_DOORTHRS	Threshold_Door
VIK_ENV_091_WINDTHRS	Threshold_Window
VIK_ENV_100_DECKBALU	Deck_Balustrade
VIK_ENV_101_DECKBALU	Deck_Balustrade to External Spouting
VIK_ENV_120_ACCTPOWR	Accessories_Enviroclad TPO Weldable Rib

DRAWING TITLE

Viking Enviroclad
Viking Roofspec Details Schedule

NOTES:

* Angle fillets are not required at upstands for Enviroclad
* All fixings, cladding and structure are indicative only unless notated

CodeMark

Cert # GM-CMNZ30058

Cert # BV-CMNZ70176

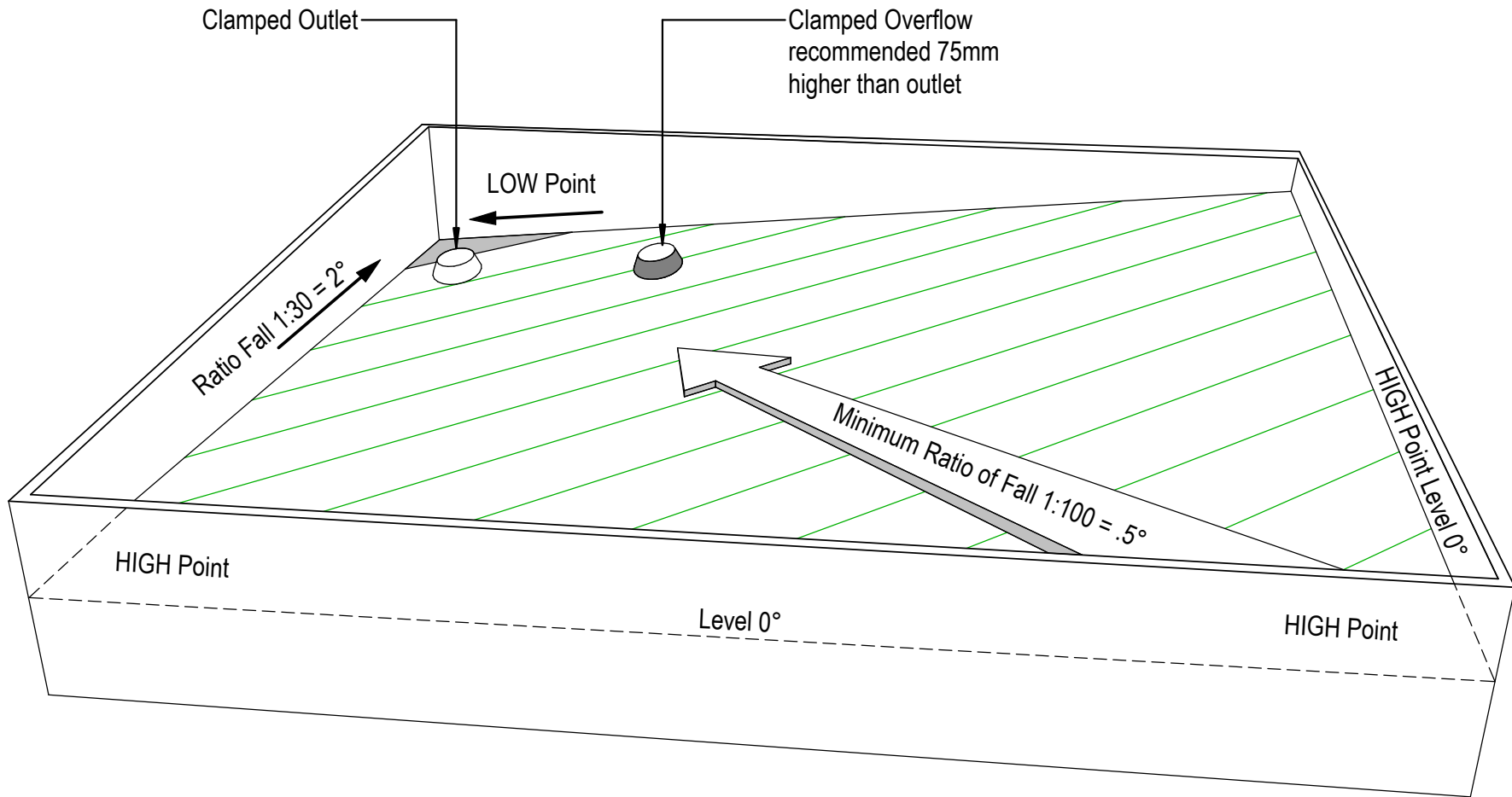
Enviroclad systems are CodeMarked

DRAWING

INFORMATION ONLY

Scale:	Date:	Drawn:	Viking
Not to Scale	23/11/2020		
Detail Ref:			VIK_ENV_000_INDEX001





NOTE: For low risk design, Viking Roofspec would recommend drainage to external spouting. When the roof is designed with enclosed parapets, consider using this methodology, to eliminate the requirement for internal gutters.

DRAWING TITLE

Viking Enviroclad
Best practice design in Membrane Roofing

NOTES:

- * Angle fillets are not required at upstands for Enviroclad
- * All fixings, cladding and structure are indicative only unless notated

CodeMark

Cert # GM-CMNZ30058
Cert # BV-CMNZ70176
Enviroclad systems are CodeMarked

DRAWING

INFORMATION ONLY

Scale:	Date:	Drawn:	Viking
Not to Scale	23/11/2020		

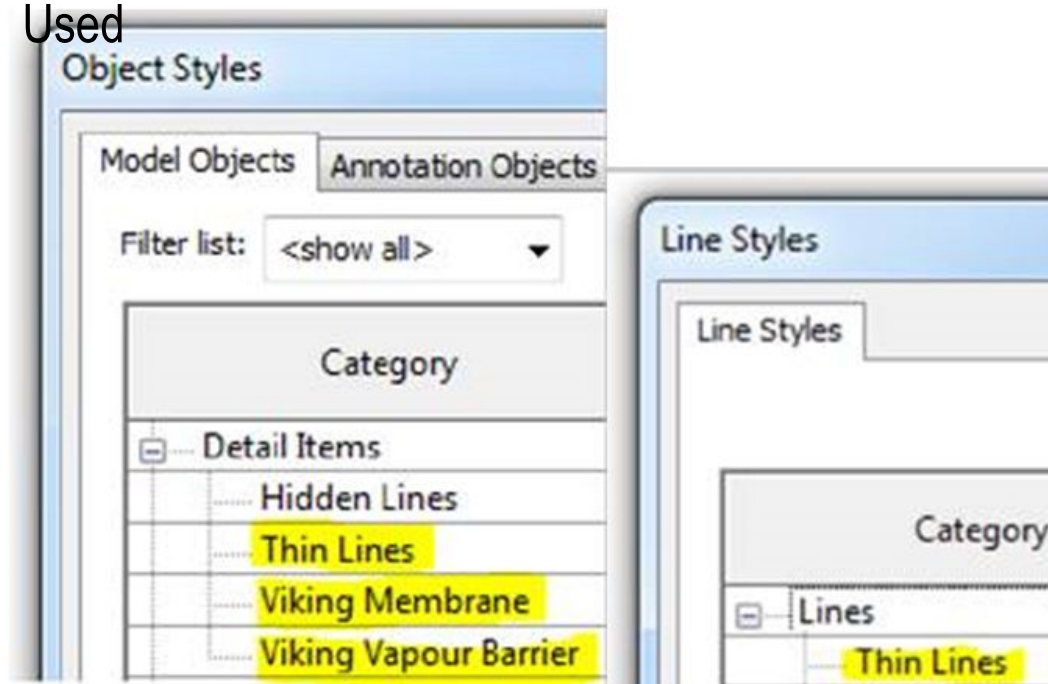
Detail Ref: **VIK_ENV_000_NOTES001**

Viking Details - Revit Notes

All Viking Revit Families:

1. Are made natively within Revit (no CAD imports).
2. Have instance-based lengths (where relevant) allowing for easy push/pull length changes.
3. Have pre-populated type parameter "descriptions" allowing for automatic notation by multi-category tagging .
4. Have minimal object style/ linestyles so your project doesn't get cluttered (the Viking components are coloured within this project by the use of view filters)

Revit Object and Line Styles Used



DRAWING TITLE

Viking Enviroclad
Revit Notes

NOTES:

* Angle fillets are not required at upstands for Enviroclad
* All fixings, cladding and structure are indicative only unless notated

CodeMark

Cert # GM-CMNZ30058

Cert # BV-CMNZ70176

Enviroclad systems are CodeMarked

DRAWING

INFORMATION ONLY

Scale:	Date:	Drawn:	Viking
Not to Scale	23/11/2020		

Detail Ref: **VIK_ENV_000_NOTES002**

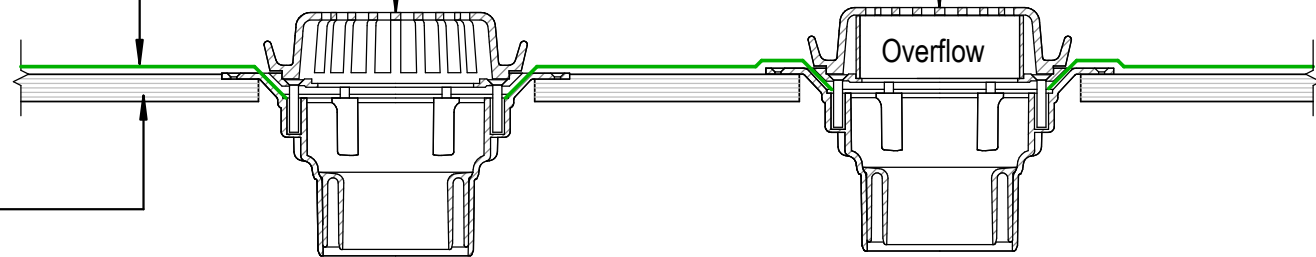
Roofspec
Viking
Taking care of detail

Viking Enviroclad TPO waterproofing membrane 1.52 mm thick, install as per manufacturers instructions

Viking 80mmØ clamped drain SDM049 with 304 S/S domed grate, installed as per manufacturers instructions.

Viking 80mmØ clamped overflow drain SDM049 with 304 S/S domed grate, installed as per manufacturers instructions.

Substrate



Flange width 230mm
(280mm for 150mm outlet)

NOTE:
Substrate to comply with current Viking Roofspec Masterspec specification
Substrate Checksheet available from www.vikingroofspec.co.nz

NOTE:
1/ Overflow to match outlet capacity.
2/ Overflow to be plumbed independent of stormwater, through soffit or exterior wall

DRAWING TITLE

Viking Enviroclad
Penetration_Outlet and Overflow

NOTES:

* Angle fillets are not required at upstands for Enviroclad
* All fixings, cladding and structure are indicative only unless notated

CodeMark >>>

Cert # GM-CMNZ30058

Cert # BV-CMNZ70176

Enviroclad systems are CodeMarked

DRAWING

INFORMATION ONLY

Scale:	Date:	Drawn:	Viking
Not to Scale	23/11/2020		
Detail Ref:			VIK_ENV_001_PENEOUTL

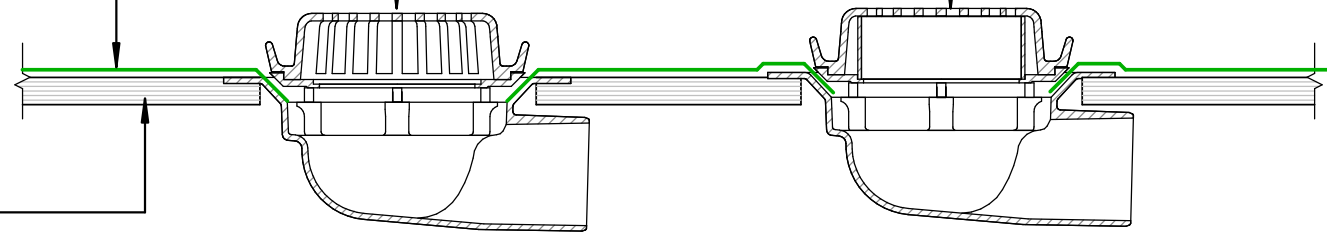
Viking Roofspec
Taking care of detail

Viking Enviroclad TPO waterproofing membrane 1.52 mm thick, install as per manufacturers instructions

Viking 80mmØ side exit clamped drain SDM055 with 304 S/S domed grate, installed as per manufacturers instructions.

Viking 80mmØ side exit clamped overflow drain SDM055 with 304 S/S domed grate, installed as per manufacturers instructions.

Substrate



230 mm Flange width

230 mm Flange width

NOTE:
 Substrate to comply with current Viking Roofspec Masterspec specification
 Substrate Checksheet available from www.vikingroofspec.co.nz

NOTE:
 1/ Overflow to match outlet capacity.
 2/ Overflow to be plumbed independent of stormwater, through soffit or exterior wall

DRAWING TITLE

Viking Enviroclad
 Penetration_Outlet and Overflow Side Exit

NOTES:

* Angle fillets are not required at upstands for Enviroclad
 * All fixings, cladding and structure are indicative only unless notated

CodeMark

Cert # GM-CMNZ30058

Cert # BV-CMNZ70176

Enviroclad systems are CodeMarked

DRAWING

INFORMATION ONLY

Scale:	Date:	Drawn:	Viking
Not to Scale	23/11/2020		

Detail Ref: **VIK_ENV_001A_PENEOUTL**

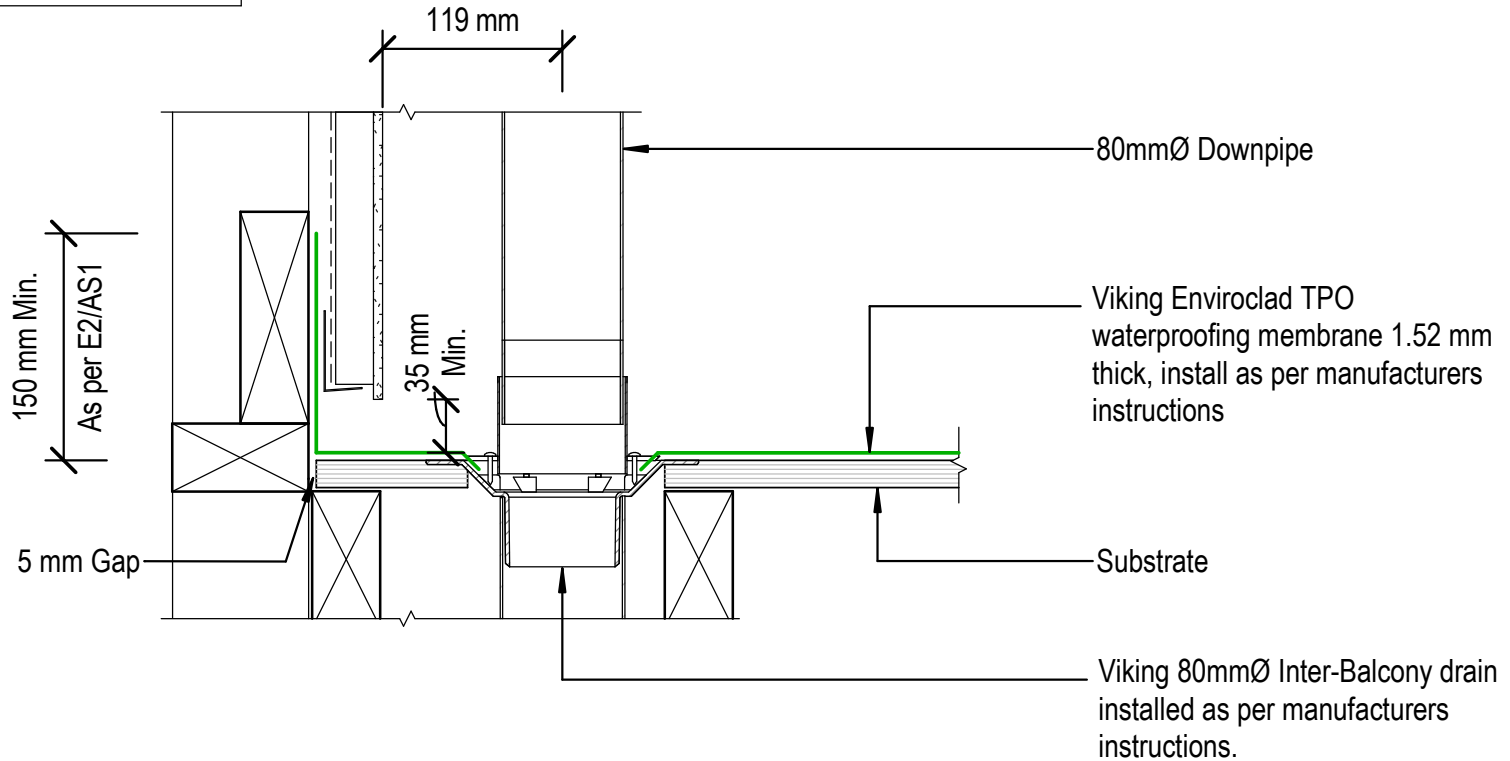
Viking Roofspec
 Taking care of detail

NOTE:

Substrate to comply with current Viking Roofspec Masterspec specification
Substrate Checksheet available from www.vikingroofspec.co.nz

NOTE:

Inter-Balcony drains are available in the following outlet diameter sizes:
65mm / 80mm / 100mm / 150mm



DRAWING TITLE

Viking Enviroclad
Penetration_Balcony Drain 80mm

NOTES:

- * Angle fillets are not required at upstands for Enviroclad
- * All fixings, cladding and structure are indicative only unless notated

CodeMark

Cert # GM-CMNZ30058

Cert # BV-CMNZ70176

Enviroclad systems are CodeMarked

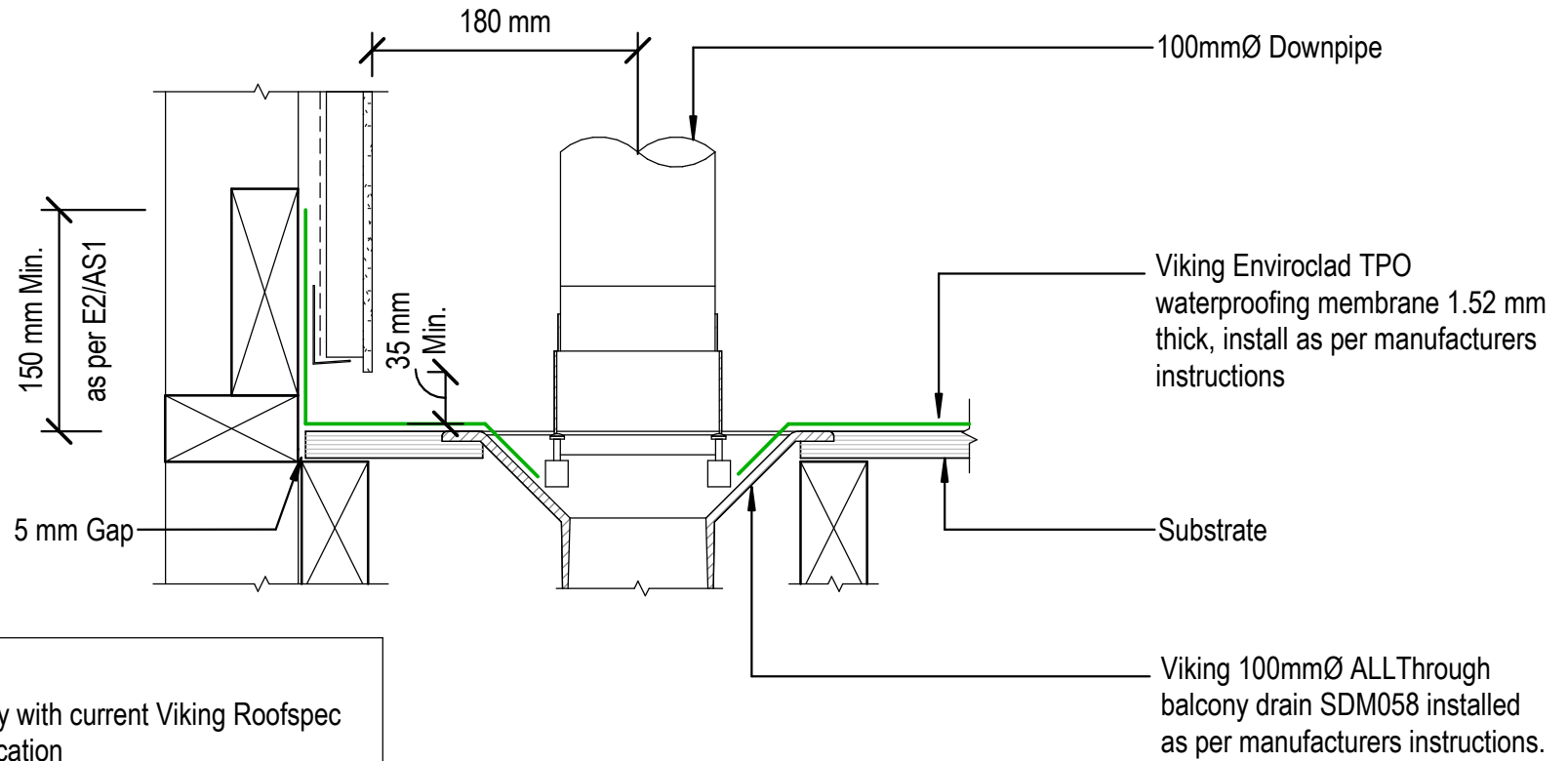
DRAWING

INFORMATION ONLY

Scale:	Date:	Drawn:	Viking
Not to Scale	23/11/2020		

Detail Ref: **VIK_ENV_002_PENEBALC**

Viking Roofspec
Taking care of detail



NOTE:
 Substrate to comply with current Viking Roofspec Masterspec specification
 Substrate Checksheet available from www.vikingroofspec.co.nz

DRAWING TITLE

Viking Enviroclad
 Penetration_Balcony Drain 100mm

NOTES:

- * Angle fillets are not required at upstands for Enviroclad
- * All fixings, cladding and structure are indicative only unless notated

CodeMark

Cert # GM-CMNZ30058
 Cert # BV-CMNZ70176
 Enviroclad systems are CodeMarked

DRAWING

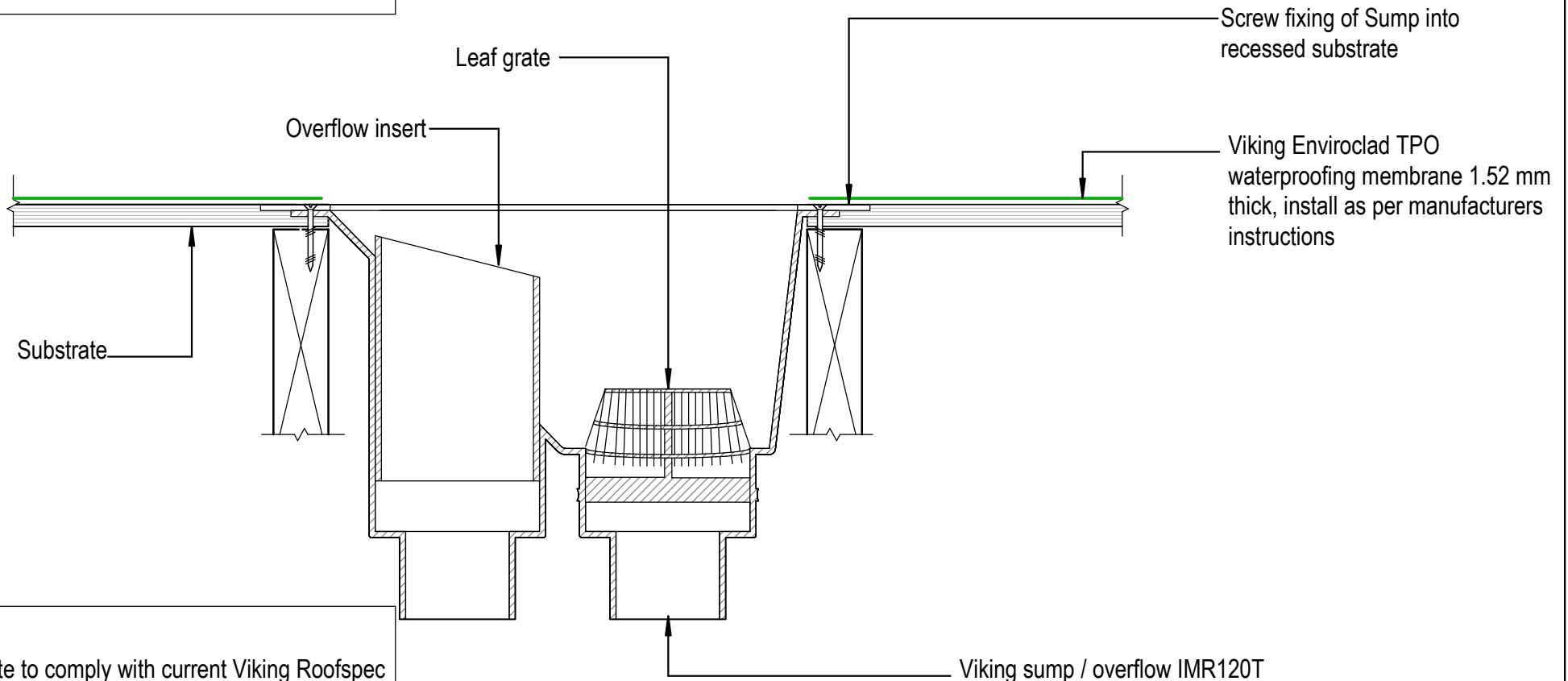
INFORMATION ONLY

Scale:	Date:	Drawn:	Viking
Not to Scale	23/11/2020		

Detail Ref: **VIK_ENV_002A_PENEBALC**

Notes:

Sumps to be plumbed with flexible hose-clamped couplings such as Dux or PlumbQwik



NOTE:

Substrate to comply with current Viking Roofspec Masterspec specification
Substrate Checksheet available from www.vikingroofspec.co.nz

DRAWING TITLE

Viking Enviroclad
Penetration_Sump Outlet with Overflow

NOTES:

- * Angle fillets are not required at upstands for Enviroclad
- * All fixings, cladding and structure are indicative only unless notated

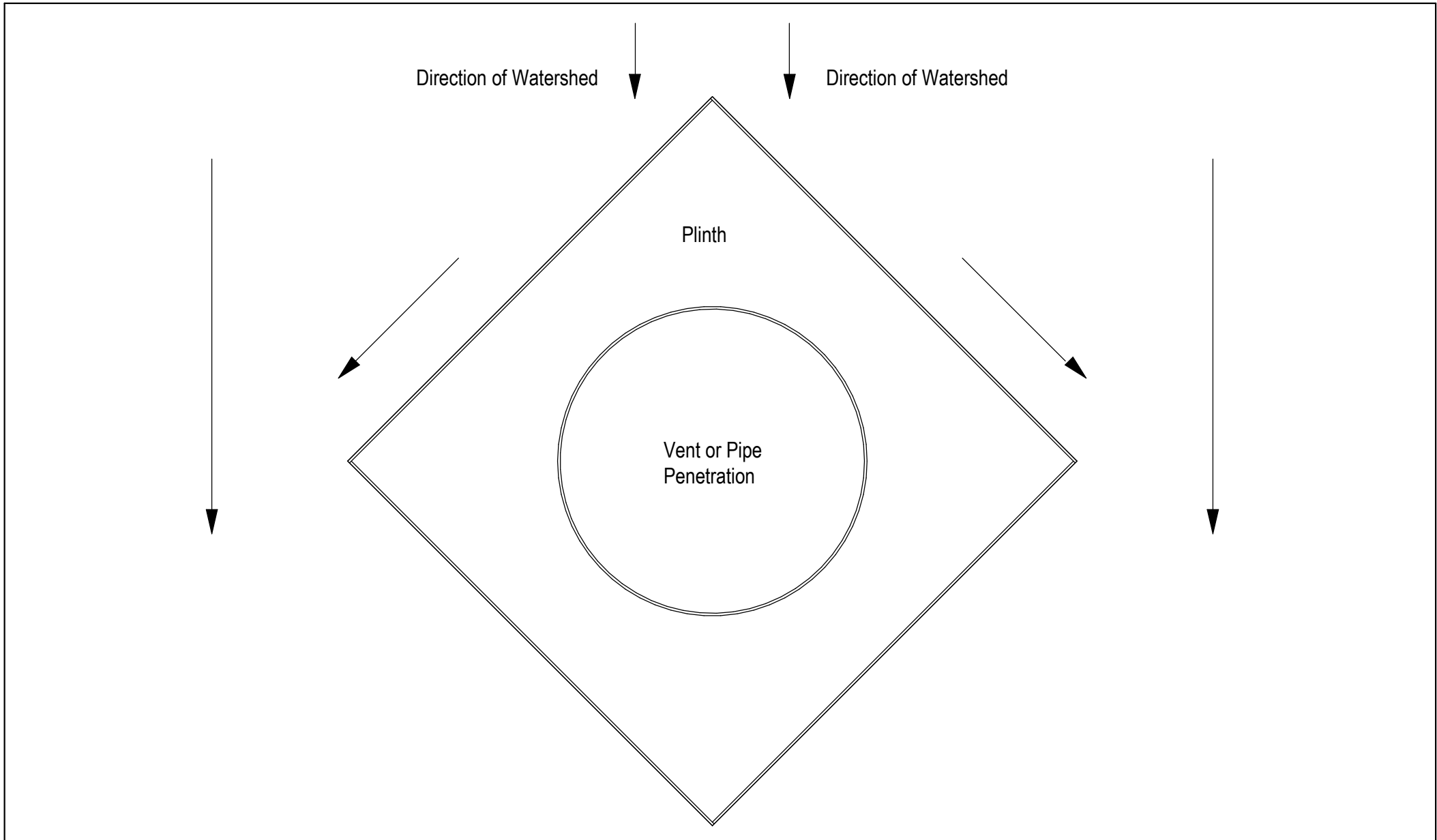
CodeMark

Cert # GM-CMNZ30058
Cert # BV-CMNZ70176
Enviroclad systems are CodeMarked

DRAWING

INFORMATION ONLY

Scale:	Date:	Drawn:	Viking
Not to Scale	23/11/2020		
Detail Ref:			VIK_ENV_003_PENESUMP



DRAWING TITLE

Viking Enviroclad
Penetration_Plinth direction to divert watershed

NOTES:

- * Angle fillets are not required at upstands for Enviroclad
- * All fixings, cladding and structure are indicative only unless notated

CodeMark >>>

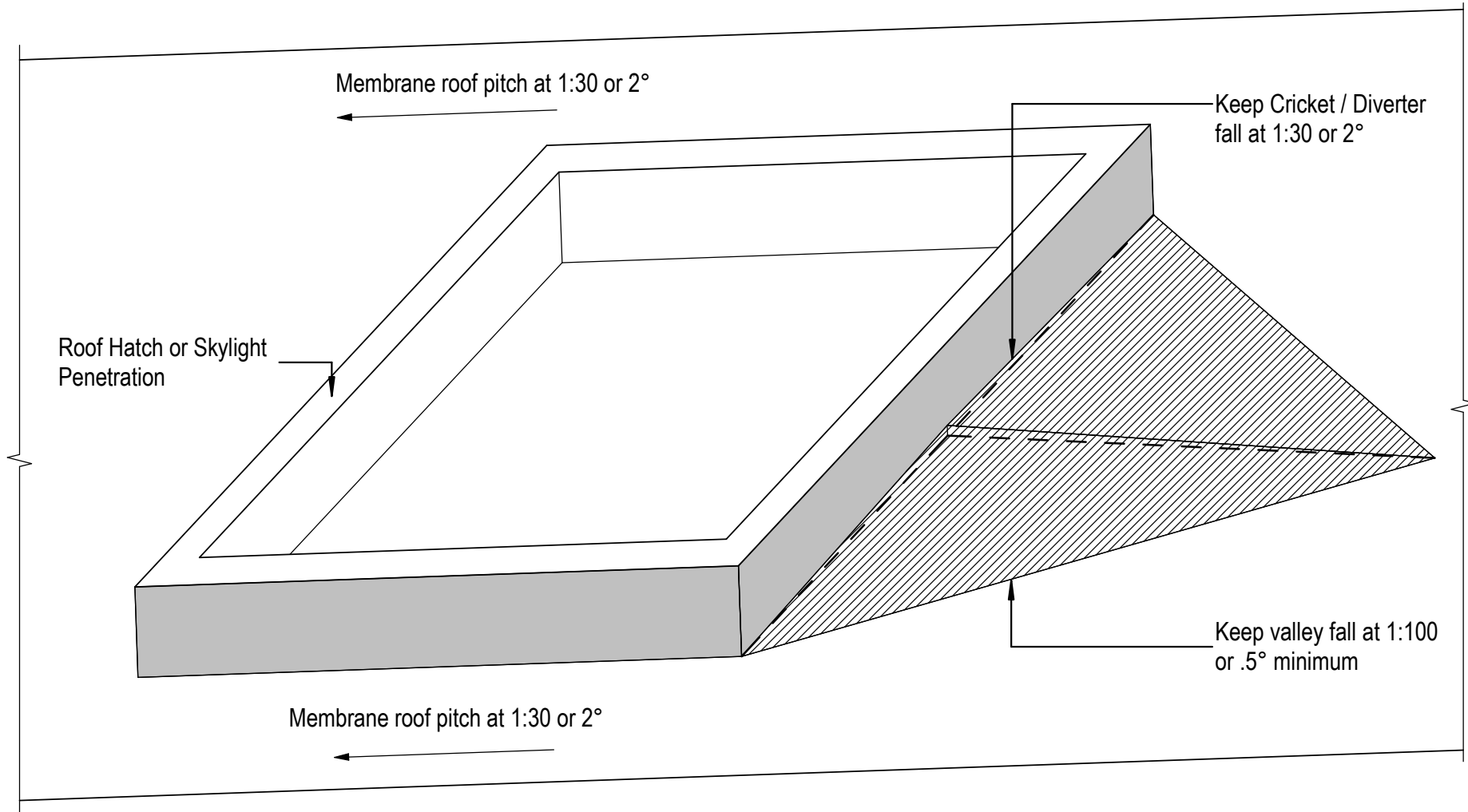
Cert # GM-CMNZ30058
Cert # BV-CMNZ70176
Enviroclad systems are CodeMarked

DRAWING

INFORMATION ONLY

Scale:	Date:	Drawn:	Viking
Not to Scale	23/11/2020		
Detail Ref:			VIK_ENV_004_PENEPLIN

Viking Roofspec
Taking care of detail



DRAWING TITLE

Viking Enviroclad
Penetration_Cricket Diverter for watershed

NOTES:

- * Angle fillets are not required at upstands for Enviroclad
- * All fixings, cladding and structure are indicative only unless notated

CodeMark

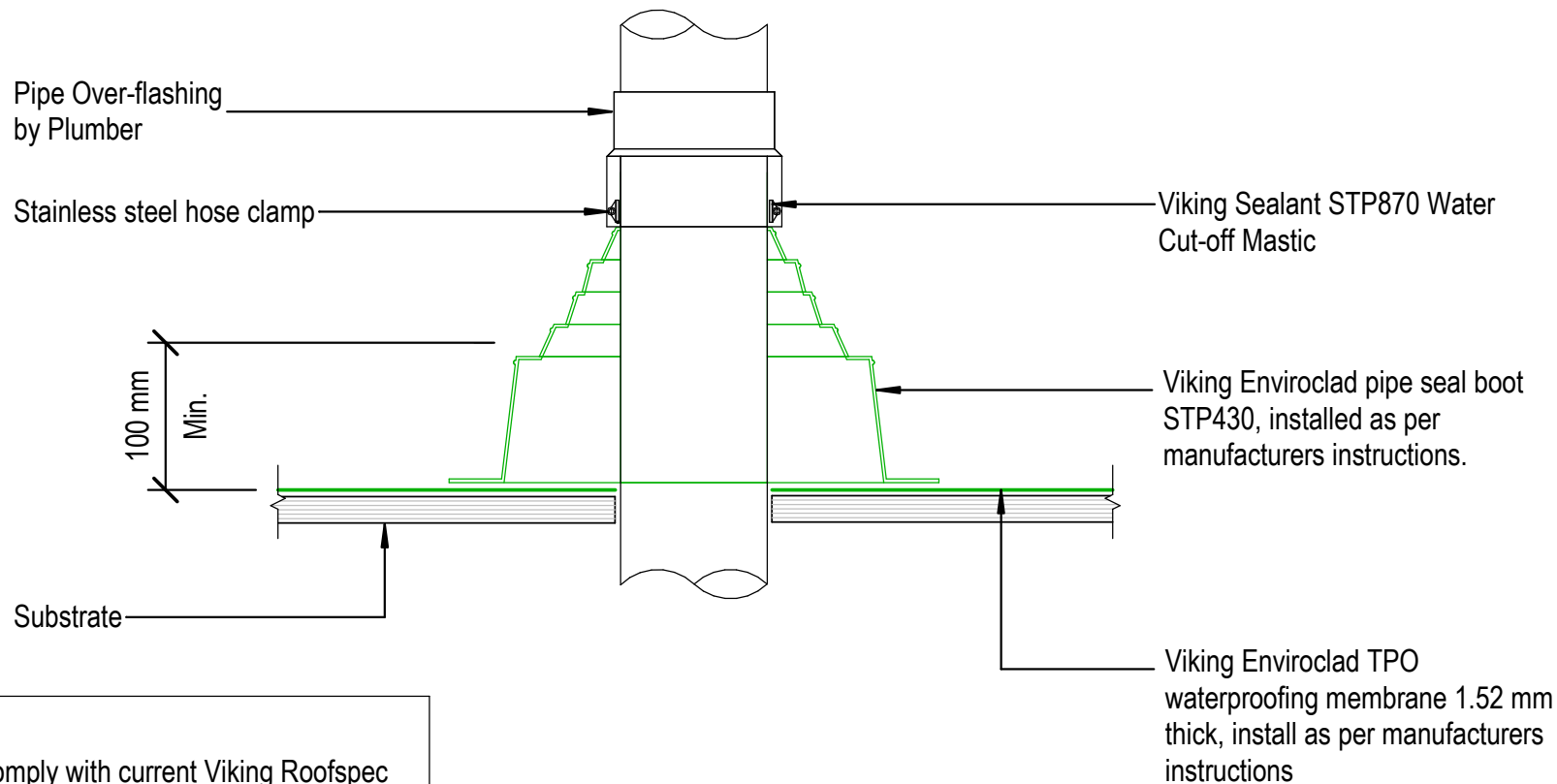
Cert # GM-CMNZ30058
Cert # BV-CMNZ70176
Enviroclad systems are CodeMarked

DRAWING

INFORMATION ONLY

Scale:	Date:	Drawn:	Viking
Not to Scale	23/11/2020		

Detail Ref: **VIK_ENV_004A_PENECRIK**



NOTE:
 Substrate to comply with current Viking Roofspec
 Masterspec specification
 Substrate Checksheet available from
www.vikingroofspec.co.nz

DRAWING TITLE

Viking Enviroclad
 Penetration_Vertical pipe

NOTES:

- * Angle fillets are not required at upstands for Enviroclad
- * All fixings, cladding and structure are indicative only unless notated

CodeMark

Cert # GM-CMNZ30058
 Cert # BV-CMNZ70176
 Enviroclad systems are CodeMarked

DRAWING

INFORMATION ONLY

Scale:	Date:	Drawn:	Viking
Not to Scale	23/11/2020		

Detail Ref: **VIK_ENV_005_VERTPIPE**

NOTE:

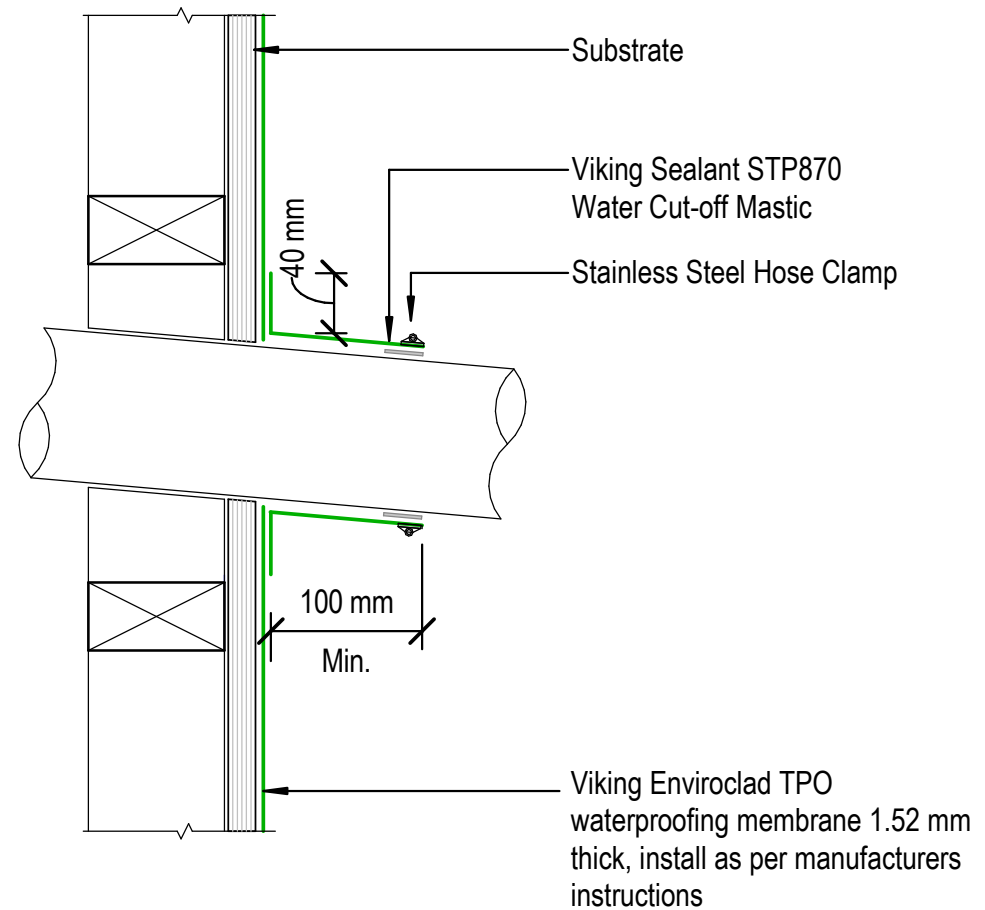
Substrate to comply with current Viking Roofspec Masterspec specification
Substrate Checksheet available from www.vikingroofspec.co.nz

NOTE:

A 5° fall is recommended for pipe penetrations

NOTE:

Membrane is suitable to be installed to pipes that will reach max. temperatures of 70° celcius



DRAWING TITLE

Viking Enviroclad
Penetration_Horizontal pipe

NOTES:

- * Angle fillets are not required at upstands for Enviroclad
- * All fixings, cladding and structure are indicative only unless notated

CodeMark

Cert # GM-CMNZ30058
Cert # BV-CMNZ70176
Enviroclad systems are CodeMarked

DRAWING

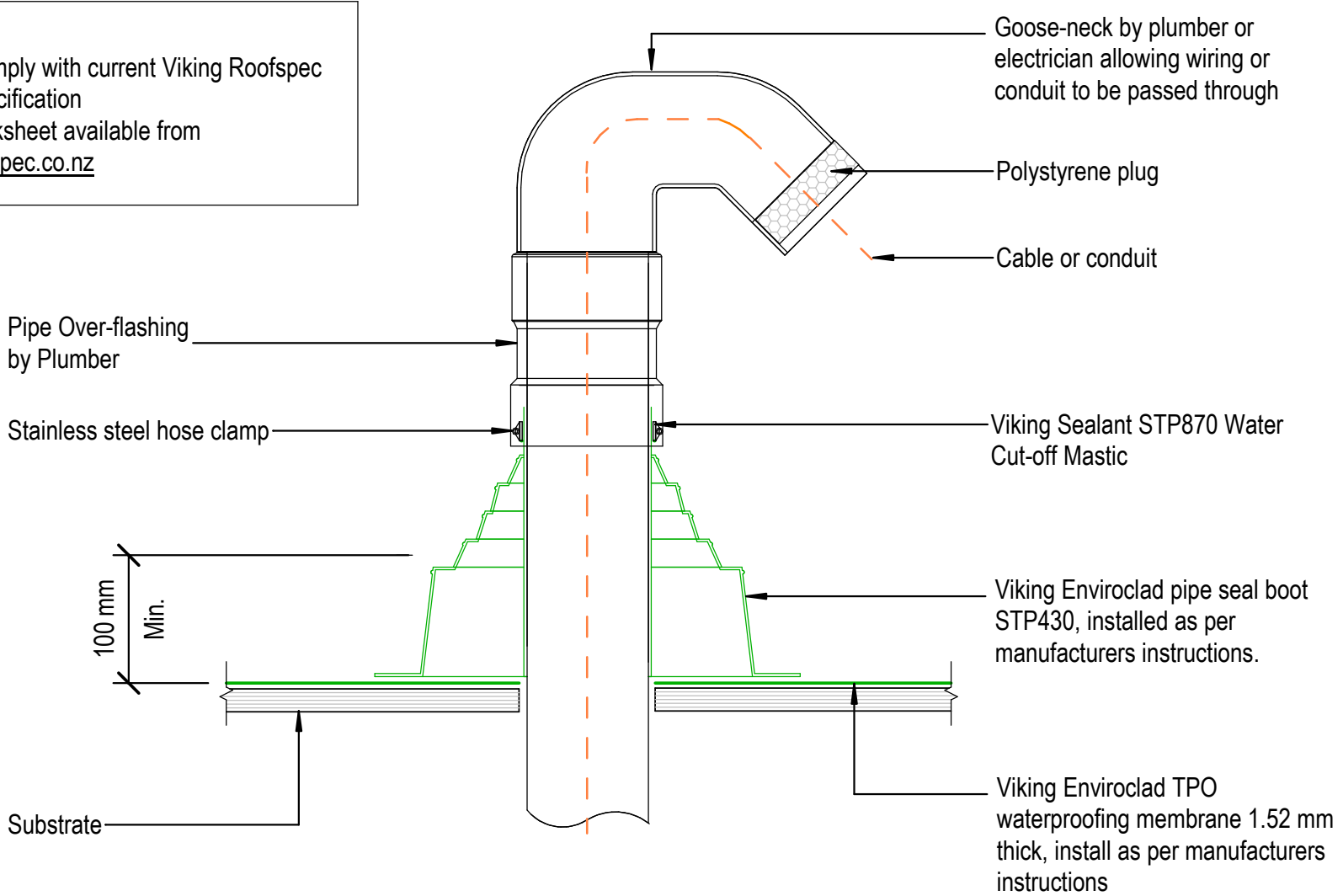
INFORMATION ONLY

Scale:	Date:	Drawn:	Viking
Not to Scale	23/11/2020		

Detail Ref: **VIK_ENV_005A_HORPIPE**

Viking Roofspec
Taking care of detail

NOTE:
 Substrate to comply with current Viking Roofspec
 Masterspec specification
 Substrate Checksheet available from
www.vikingroofspec.co.nz



DRAWING TITLE

Viking Enviroclad
 Penetration_Vertial ducting pipe

NOTES:

- * Angle fillets are not required at upstands for Enviroclad
- * All fixings, cladding and structure are indicative only unless notated

CodeMark

Cert # GM-CMNZ30058
 Cert # BV-CMNZ70176
 Enviroclad systems are CodeMarked

DRAWING

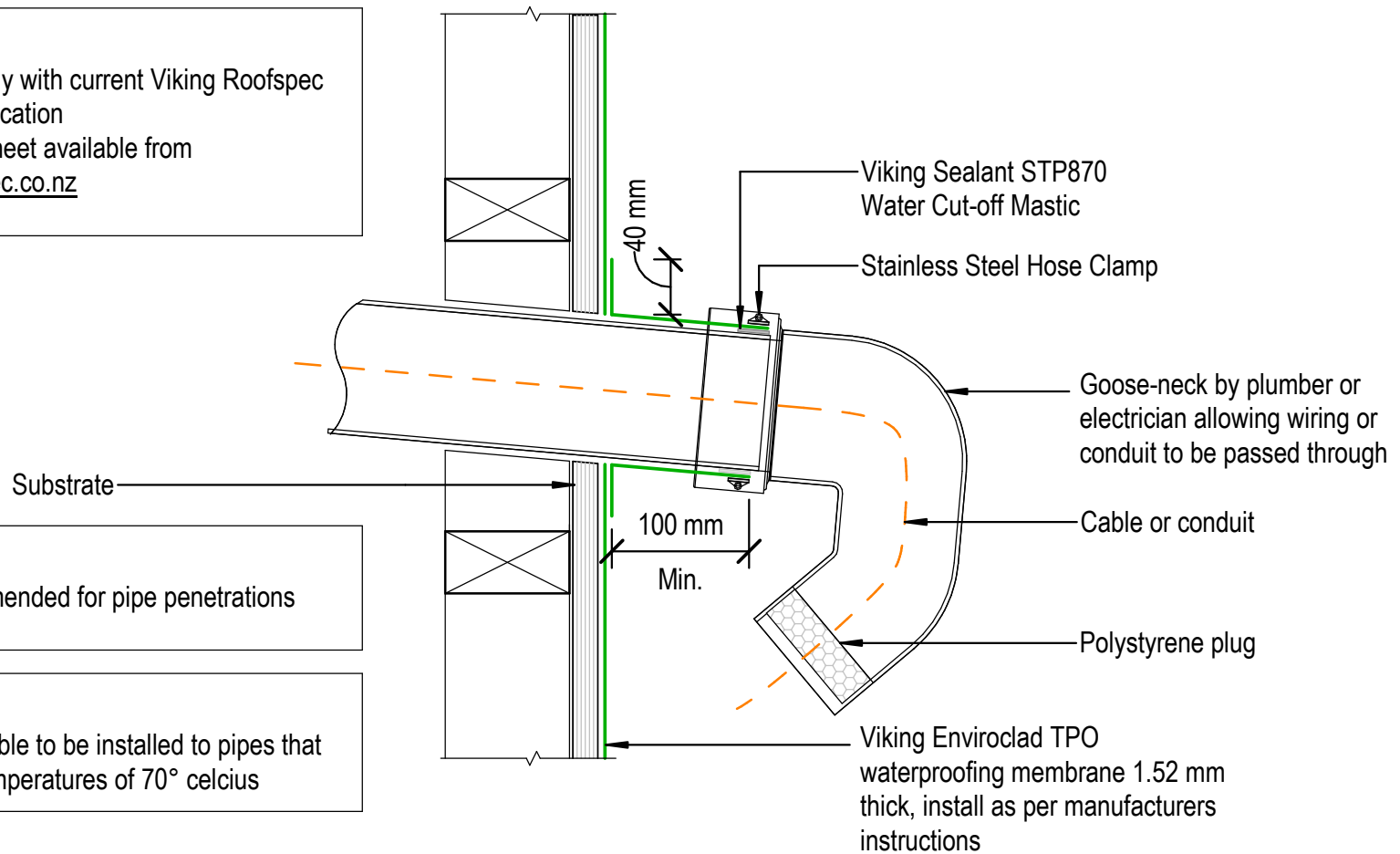
INFORMATION ONLY

Scale:	Date:	Drawn:	Viking
Not to Scale	23/11/2020		
Detail Ref:			VIK_ENV_006_VERTDUCT

NOTE:
 Substrate to comply with current Viking Roofspec
 Masterspec specification
 Substrate Checksheet available from
www.vikingroofspec.co.nz

NOTE:
 A 5° fall is recommended for pipe penetrations

NOTE:
 Membrane is suitable to be installed to pipes that
 will reach max. temperatures of 70° celcius



DRAWING TITLE

Viking Enviroclad
 Penetration_Horizontal ducting pipe

NOTES:

* Angle fillets are not required at
 upstands for Enviroclad
 * All fixings, cladding and structure are
 indicative only unless notated

CodeMark

Cert # GM-CMNZ30058
 Cert # BV-CMNZ70176
 Enviroclad systems are CodeMarked

DRAWING

INFORMATION ONLY

Scale:	Date:	Drawn:	Viking
Not to Scale	23/11/2020		

Detail Ref: **VIK_ENV_006A_HORIDUCT**

Dektite Aluminium Over Flashing suitable for 115° Ref Decktite for specific flashing

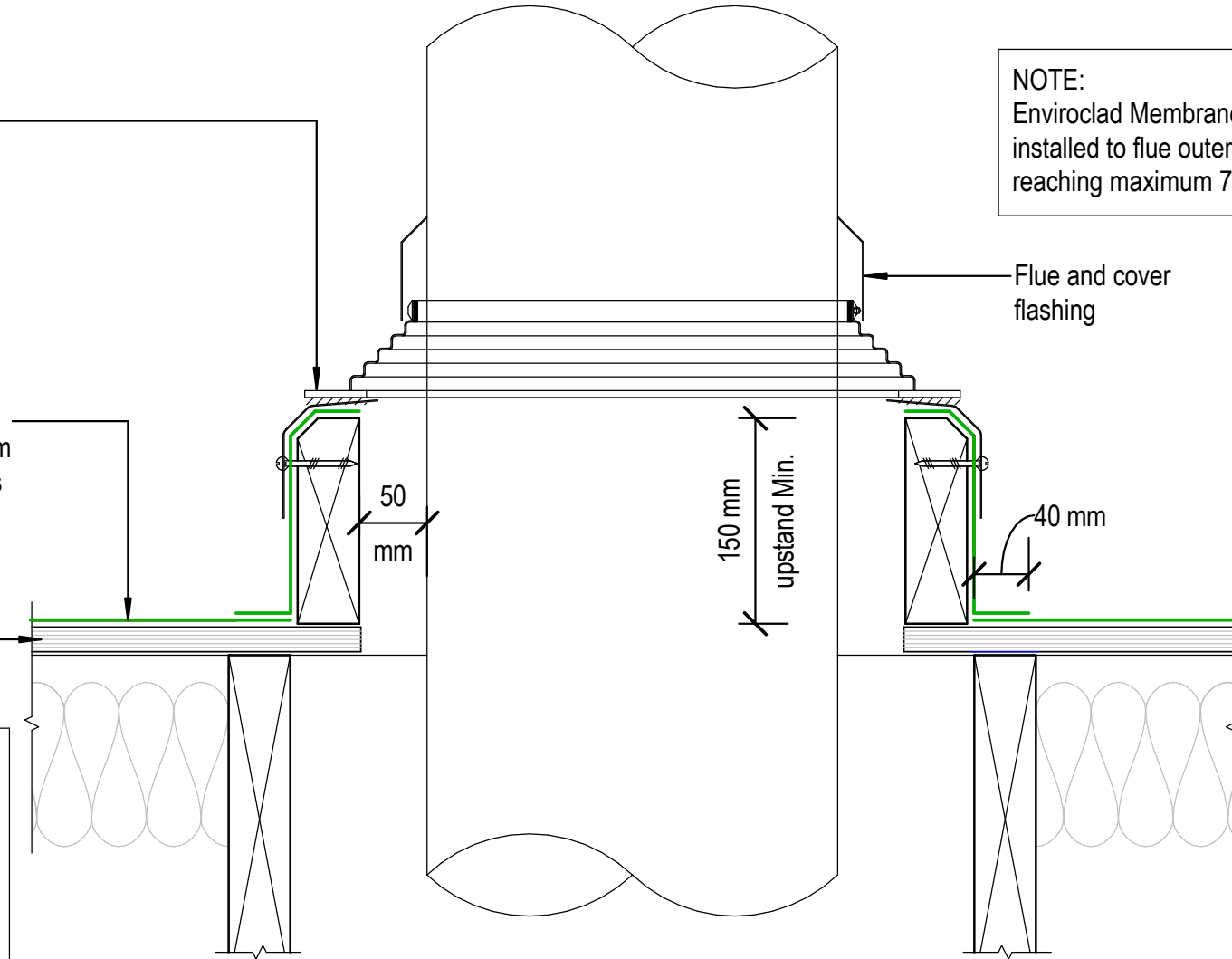
Viking Enviroclad TPO waterproofing membrane 1.52 mm thick, install as per manufacturers instructions

Substrate

NOTE:
Substrate to comply with current Viking Roofspec Masterspec specification
Substrate Checksheet available from www.vikingroofspec.co.nz

NOTE:
Enviroclad Membrane can be installed to flue outer-liners reaching maximum 70°C

Flue and cover flashing



DRAWING TITLE

Viking Enviroclad
Penetration_Flue or Oversize Pipe

NOTES:

- * Angle fillets are not required at upstands for Enviroclad
- * All fixings, cladding and structure are indicative only unless notated

CodeMark

Cert # GM-CMNZ30058

Cert # BV-CMNZ70176

Enviroclad systems are CodeMarked

DRAWING

INFORMATION ONLY

Scale:

Not to Scale

Date:

23/11/2020

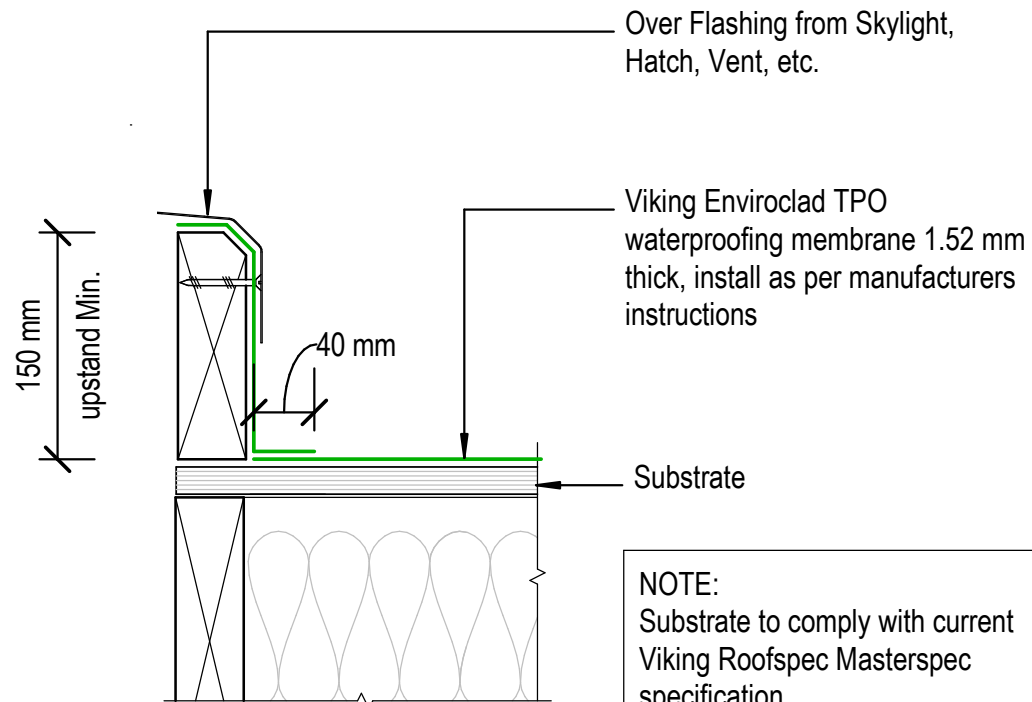
Drawn:

Viking

Detail Ref:

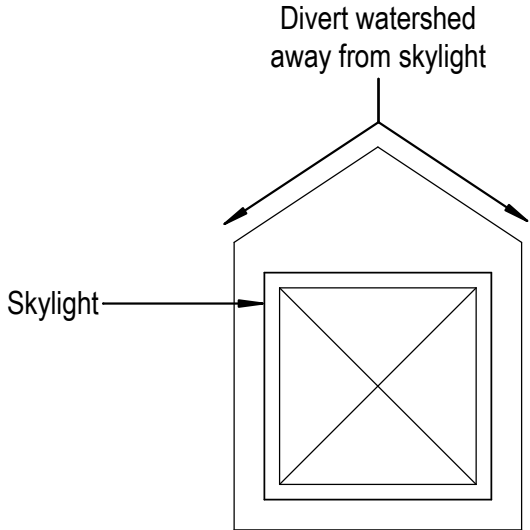
VIK_ENV_007_PENEFLUE

Viking Roofspec
Taking care of detail



NOTE:
 Substrate to comply with current Viking Roofspec Masterspec specification
 Substrate Checksheet available from www.vikingroofspec.co.nz

NOTE:
 Refer ENV_004A



DRAWING TITLE

Viking Enviroclad
 Penetration_Skylight or Roof Access hatch

NOTES:

* Angle fillets are not required at upstands for Enviroclad
 * All fixings, cladding and structure are indicative only unless notated

CodeMark

Cert # GM-CMNZ30058

Cert # BV-CMNZ70176

Enviroclad systems are CodeMarked

DRAWING

INFORMATION ONLY

Scale:

Not to Scale

Date:

23/11/2020

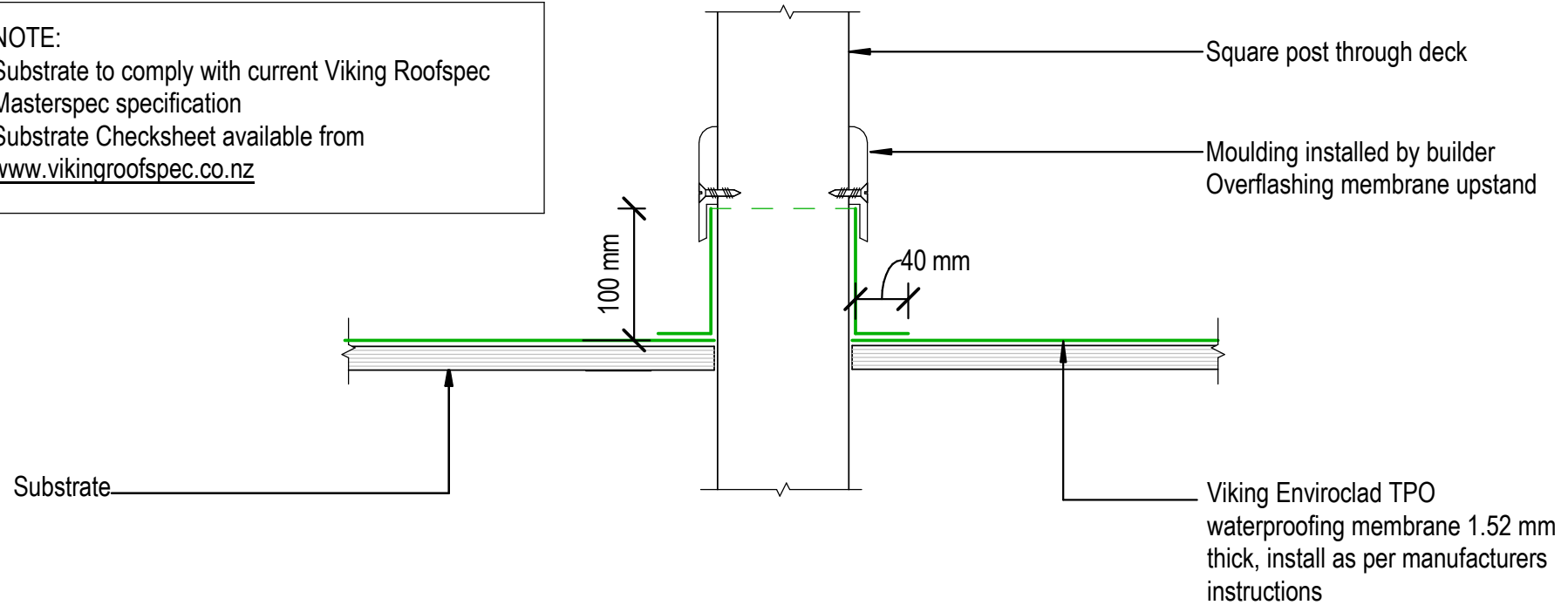
Drawn:

Viking

Detail Ref:

VIK_ENV_008_SKYLACCH

NOTE:
 Substrate to comply with current Viking Roofspec
 Masterspec specification
 Substrate Checksheet available from
www.vikingroofspec.co.nz



DRAWING TITLE Viking Enviroclad Penetration_Square Post through decking
--

NOTES: * Angle fillets are not required at upstands for Enviroclad * All fixings, cladding and structure are indicative only unless notated

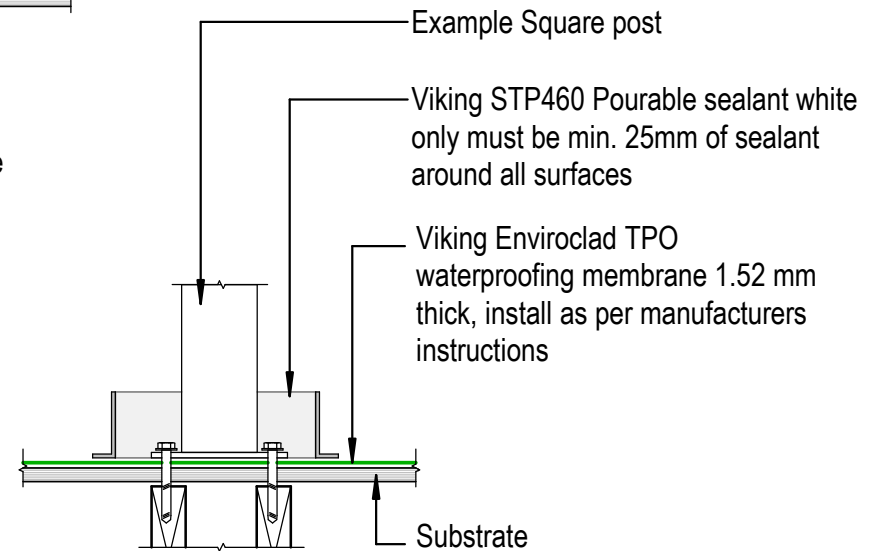
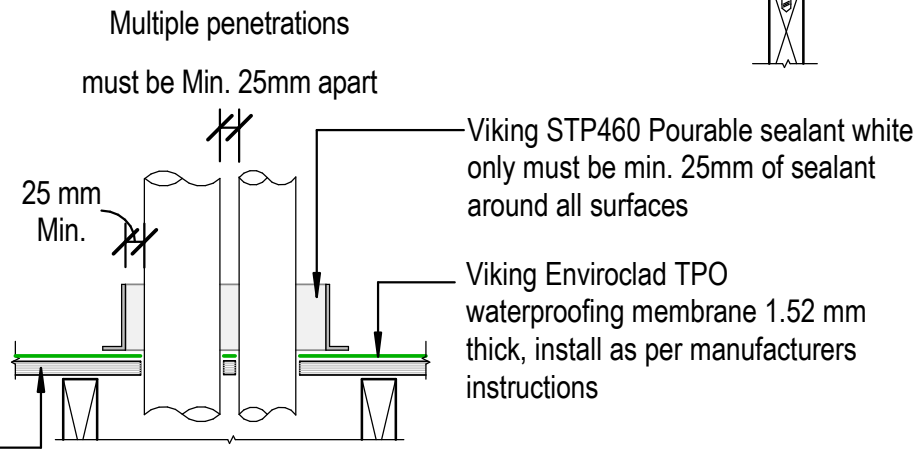
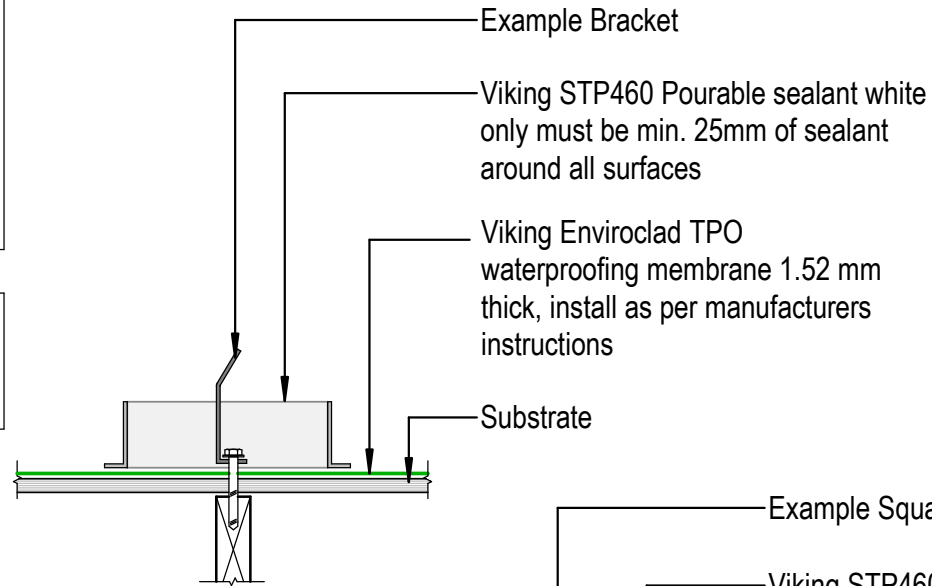
CodeMark

Cert # GM-CMNZ30058
 Cert # BV-CMNZ70176
 Enviroclad systems are CodeMarked

DRAWING INFORMATION ONLY			
Scale:	Date:	Drawn:	Viking
Not to Scale	23/11/2020		
Detail Ref:			VIK_ENV_009_POSTDECK

NOTE:
 A Solution for very difficult shaped penetrations.
Note That all surfaces in contact with Pourable sealant must be primed with Viking SEC034 Lap primer
 This includes all pipes, bolts, brackets and TPO sealant surround.
 For specific requirements contact Viking Roofspec for advice

NOTE:
 STP460 Pourable Pocket Sealant can be installed to materials reaching maximum 90°C



NOTE:
 Substrate to comply with current Viking Roofspec Masterspec specification
 Substrate Checksheet available from www.vikingroofspec.co.nz

DRAWING TITLE

Viking Enviroclad
 Penetration_TPO Pourable pocket and sealant

NOTES:

* Angle fillets are not required at upstands for Enviroclad
 * All fixings, cladding and structure are indicative only unless notated

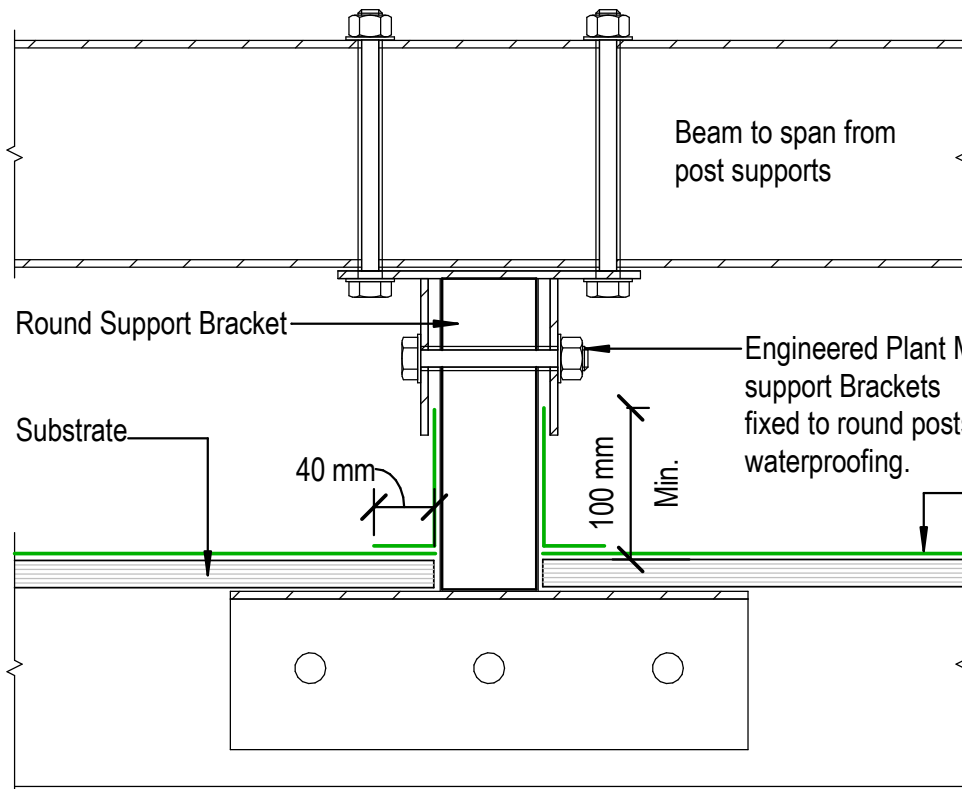
CodeMark

Cert # GM-CMNZ30058
 Cert # BV-CMNZ70176
 Enviroclad systems are CodeMarked

DRAWING

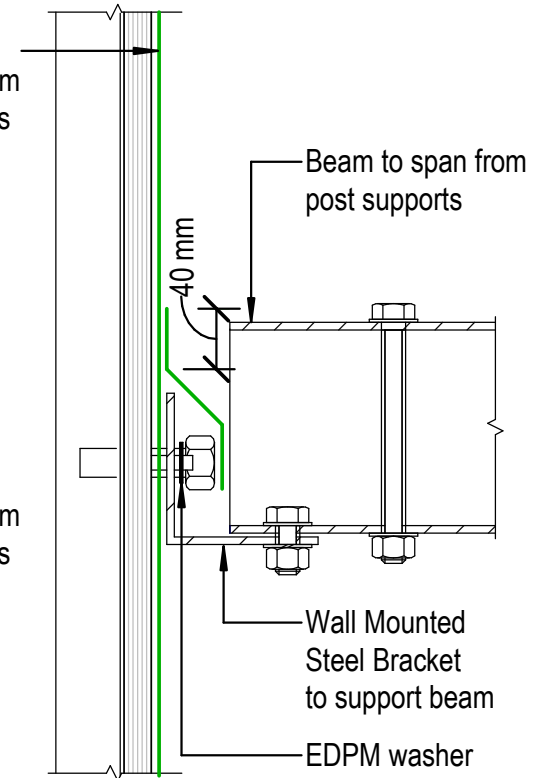
INFORMATION ONLY

Scale:	Date:	Drawn:	Viking
Not to Scale	23/11/2020		
Detail Ref:			VIK_ENV_010_PENETPO



Viking Enviroclad TPO waterproofing membrane 1.52 mm thick, install as per manufacturers instructions

Viking Enviroclad TPO waterproofing membrane 1.52 mm thick, install as per manufacturers instructions



Wall Mounted Bracket

NOTE:
 Post and Brackets are SED.
 Spaced according to weight and beam spanning abilities.
 Not supplied by Viking Roofspec.

DRAWING TITLE

Viking Enviroclad
 Penetration_Post or Rail for Plant Room equipment

NOTES:

* Angle fillets are not required at upstands for Enviroclad
 * All fixings, cladding and structure are indicative only unless notated

CodeMark

Cert # GM-CMNZ30058
 Cert # BV-CMNZ70176
 Enviroclad systems are CodeMarked

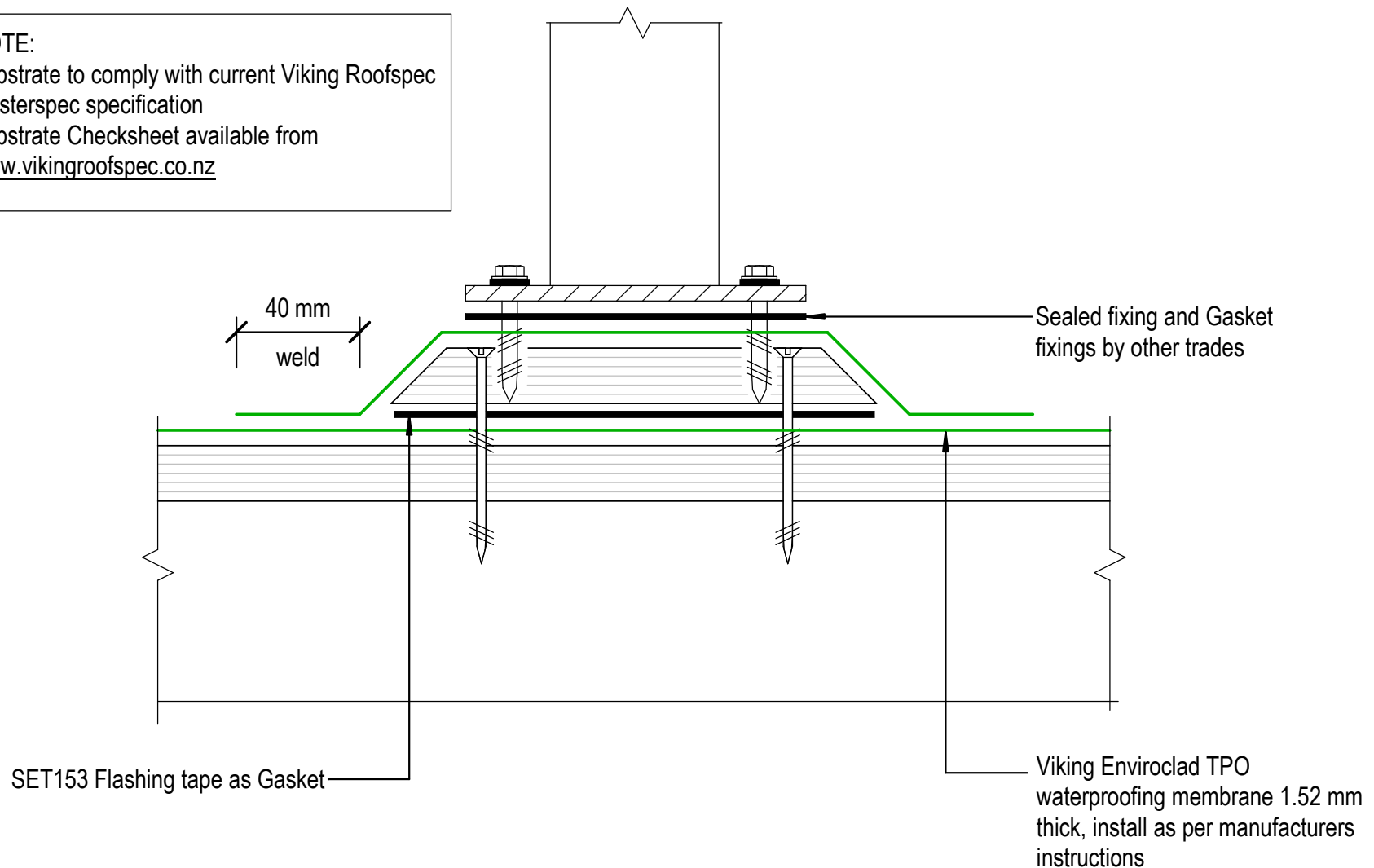
DRAWING INFORMATION ONLY

Scale:	Date:	Drawn:	Viking
Not to Scale	23/11/2020		

Detail Ref: **VIK_ENV_011_PENEPOST**

NOTE:

Substrate to comply with current Viking Roofspec
Masterspec specification
Substrate Checksheet available from
www.vikingroofspec.co.nz



SET153 Flashing tape as Gasket

Sealed fixing and Gasket
fixings by other trades

Viking Enviroclad TPO
waterproofing membrane 1.52 mm
thick, install as per manufacturers
instructions

DRAWING TITLE

Viking Enviroclad
Penetration_Plinth base for Balustrade

NOTES:

- * Angle fillets are not required at upstands for Enviroclad
- * All fixings, cladding and structure are indicative only unless notated

CodeMark

Cert # GM-CMNZ30058
Cert # BV-CMNZ70176
Enviroclad systems are CodeMarked

DRAWING

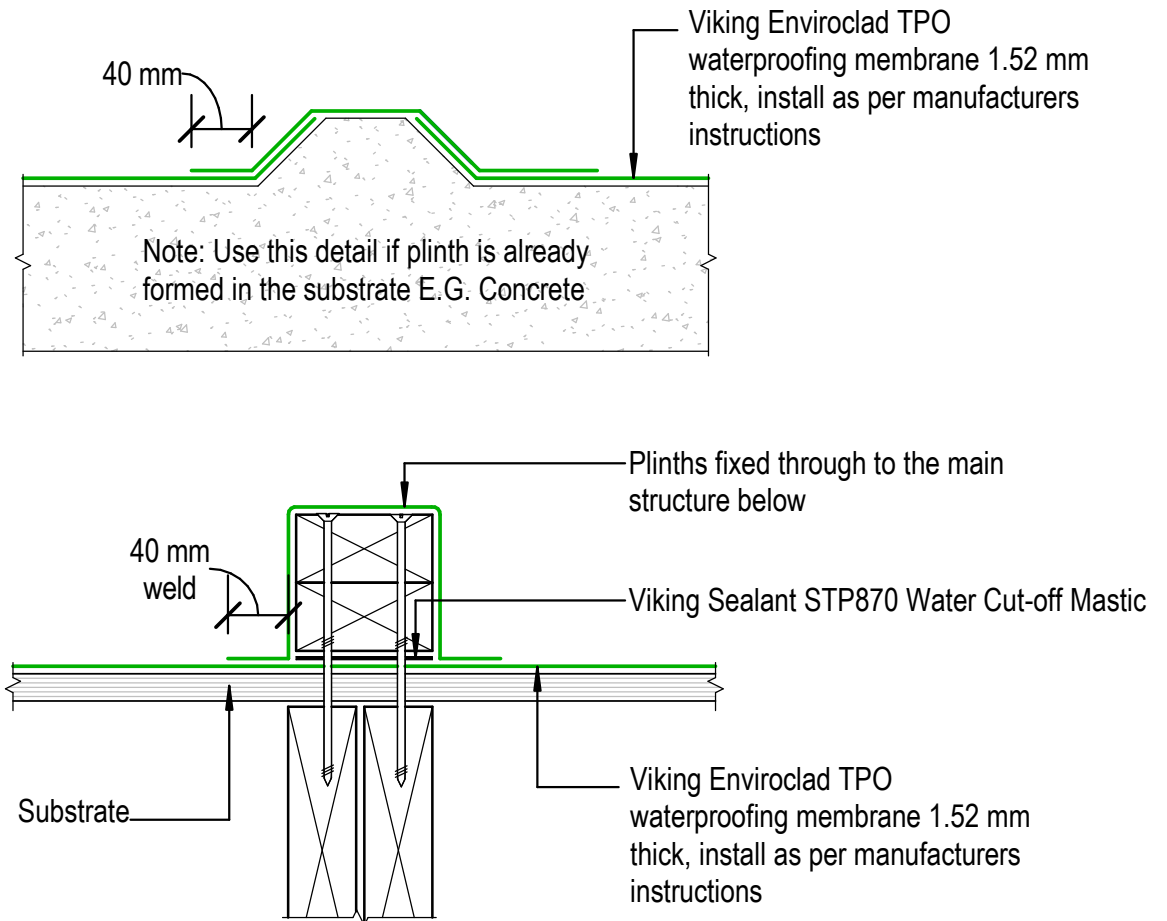
INFORMATION ONLY

Scale:	Date:	Drawn:	Viking
Not to Scale	23/11/2020		
Detail Ref:			VIK_ENV_012_PENEPLIN

NOTE:
 Substrate to comply with current Viking Roofspec Masterspec specification
 Substrate Checksheet available from www.vikingroofspec.co.nz

NOTE:
 Consider Viking Detail ENV_011 as a better option for supporting Mechanical Plant on membrane roofs.
Although Viking Roofspec do not recommend fixing posts or plant through the top of Membrane roofs or decks if this is required then use a plinth detail provides the fixing by other trades are kept off the main deck flood area.
 Viking Roofspec recommend that any fixing of plant is kept independent of the membrane roof ideally through vertical surfaces such as parapets.
All Fixings must be sealed

NOTE:
 Viking Roofspec or our Approved Applicators do not warranty fixings installed by other trades.



DRAWING TITLE

Viking Enviroclad
 Penetration_Plinth for concrete or timber

NOTES:

* Angle fillets are not required at upstands for Enviroclad
 * All fixings, cladding and structure are indicative only unless notated

CodeMark

Cert # GM-CMNZ30058

Cert # BV-CMNZ70176

Enviroclad systems are CodeMarked

DRAWING

INFORMATION ONLY

Scale:	Date:	Drawn:	Viking
Not to Scale	23/11/2020		

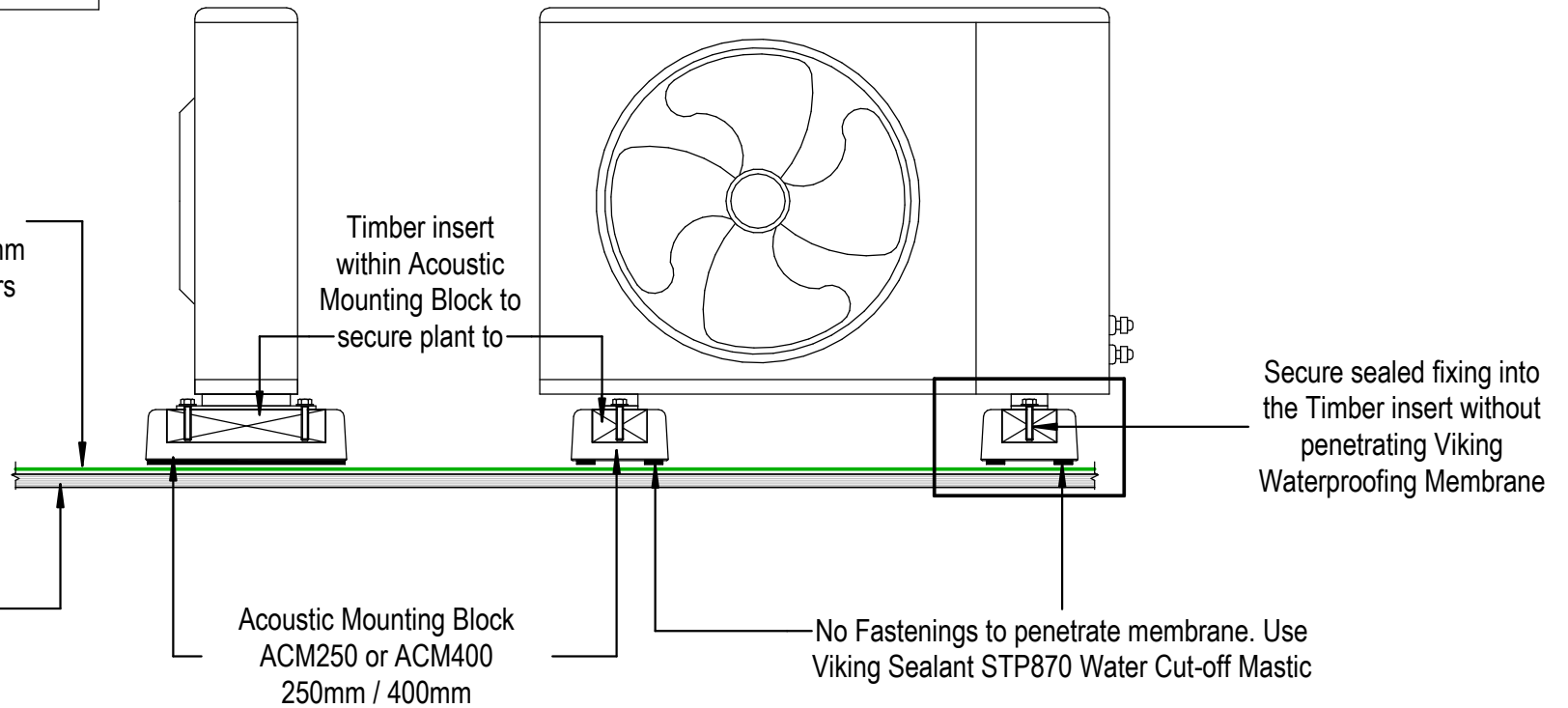
Detail Ref: **VIK_ENV_013_PENEPLIN**

Viking Roofspec
 Taking care of detail

NOTE:

Substrate to comply with current Viking
Roofspec Masterspec specification
Substrate Checksheet available from
www.vikingroofspec.co.nz

Viking Enviroclad TPO
waterproofing membrane 1.52 mm
thick, install as per manufacturers
instructions



Substrate

Acoustic Mounting Block
ACM250 or ACM400
250mm / 400mm

No Fastenings to penetrate membrane. Use
Viking Sealant STP870 Water Cut-off Mastic

Secure sealed fixing into
the Timber insert without
penetrating Viking
Waterproofing Membrane

DRAWING TITLE

Viking Enviroclad
Penetration_Acoustic Mounting Block

NOTES:

- * Angle fillets are not required at upstands for Enviroclad
- * All fixings, cladding and structure are indicative only unless notated

CodeMark

Cert # GM-CMNZ30058
Cert # BV-CMNZ70176
Enviroclad systems are CodeMarked

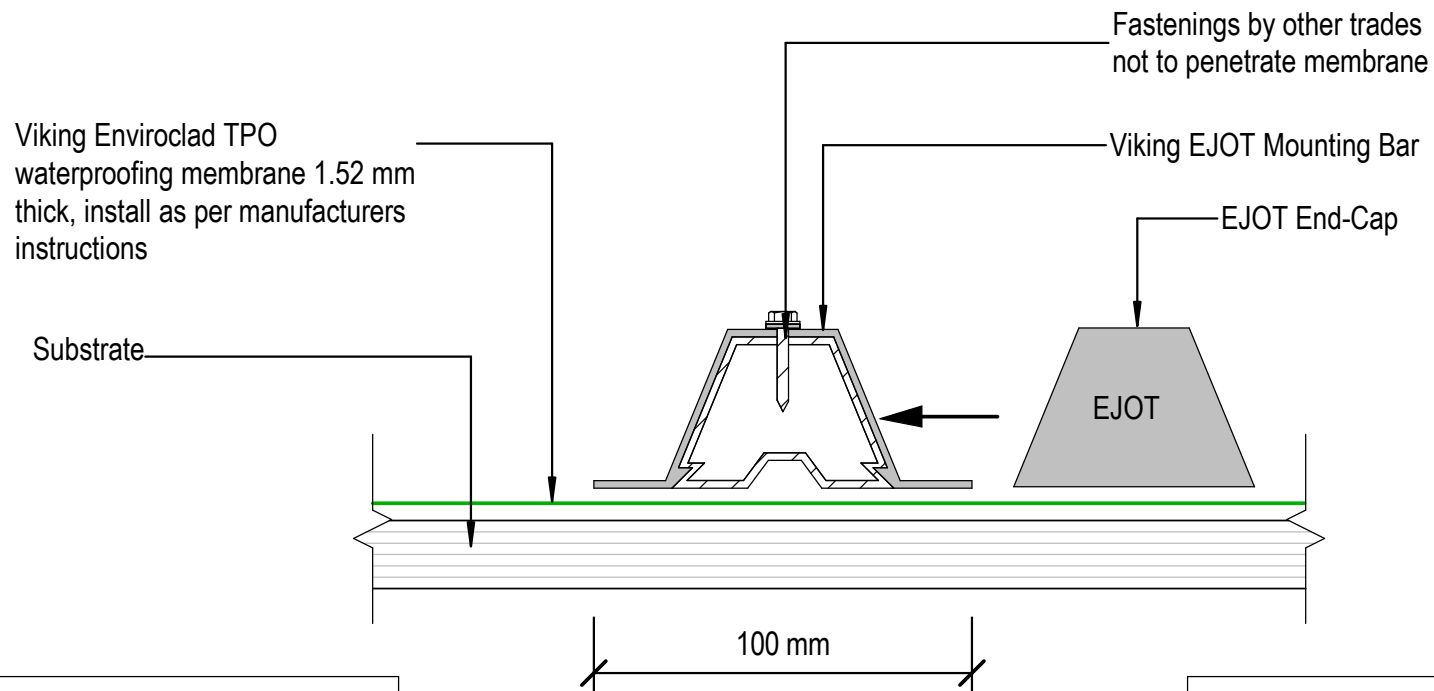
DRAWING

INFORMATION ONLY

Scale:	Date:	Drawn:	Viking
Not to Scale	23/11/2020		

Detail Ref: **VIK_ENV_014_PENEACOU**

Viking Roofspec
Taking care of detail



NOTE:
 Substrate to comply with current Viking Roofspec Masterspec specification
 Substrate Checksheet available from www.vikingroofspec.co.nz

NOTE:
 Creates a LOW-RISK fixing base for light-weight mechanical and electrical essentials such as pipework and cable trays - through to light weight solar PV and solar thermal installations.
 Maximum point load *30kg per/Lm
 Maximum uplift 2.8Kn



DRAWING TITLE
Viking Enviroclad Penetration_EJOT Plinth for Enviroclad

NOTES:
* Angle fillets are not required at upstands for Enviroclad * All fixings, cladding and structure are indicative only unless notated

CodeMark

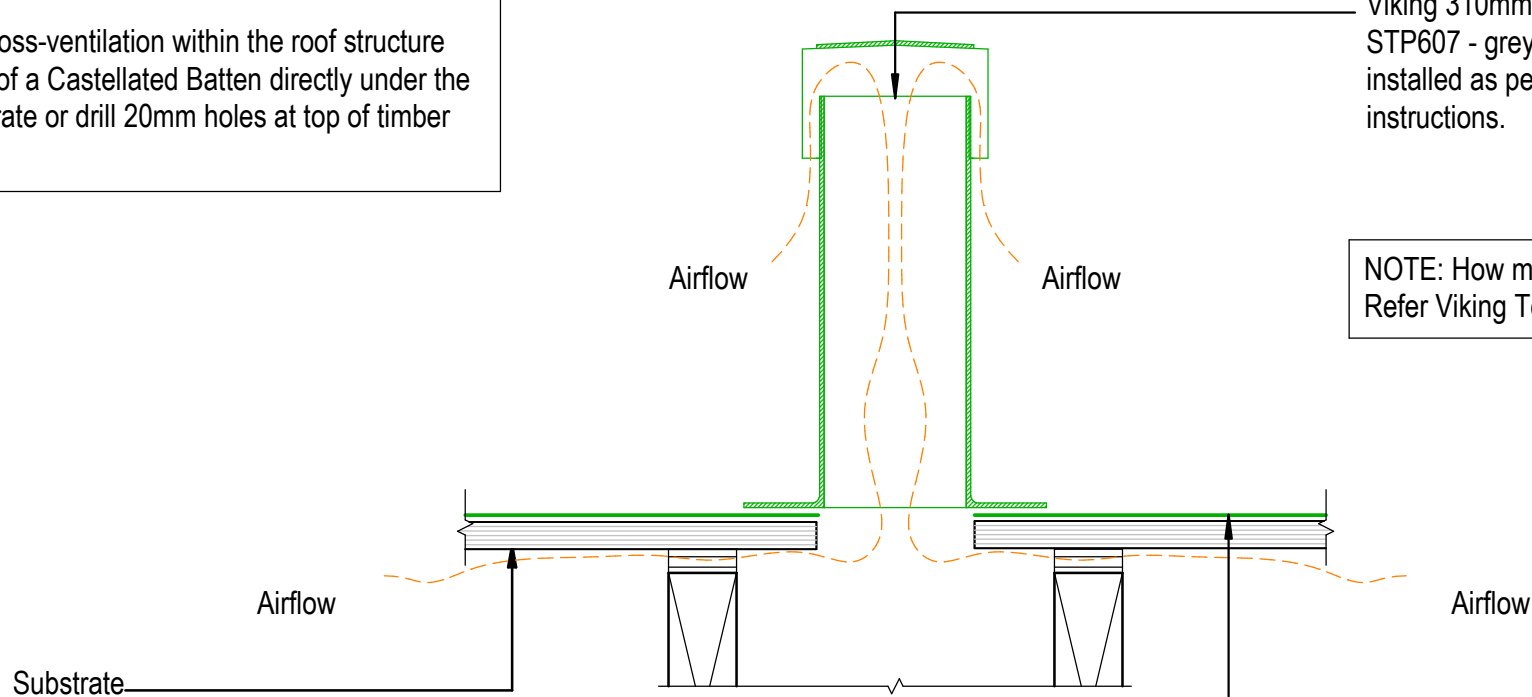
Cert # GM-CMNZ30058
 Cert # BV-CMNZ70176
 Enviroclad systems are CodeMarked

DRAWING INFORMATION ONLY			
Scale:	Date:	Drawn:	Viking
Not to Scale	23/11/2020		
Detail Ref:			VIK_ENV_015_PEENEJOT

NOTE:
Ensure cross-ventilation within the roof structure
E.G. use of a Castellated Batten directly under the
Ply substrate or drill 20mm holes at top of timber
supports

Viking 310mm high roof vent
STP607 - grey with black dome,
installed as per manufacturers
instructions.

NOTE: How many vents?
Refer Viking Technical Note Venting



NOTE:
Substrate to comply with current Viking Roofspec
Masterspec specification
Substrate Checksheet available from
www.vikingroofspec.co.nz

NOTE: Venting not required if specifying
Viking WarmRoof or WarmSpan systems

DRAWING TITLE

Viking Enviroclad
Ventilation_Cavity Vent

NOTES:

* Angle fillets are not required at
upstands for Enviroclad
* All fixings, cladding and structure are
indicative only unless notated

CodeMark

Cert # GM-CMNZ30058

Cert # BV-CMNZ70176

Enviroclad systems are CodeMarked

DRAWING

INFORMATION ONLY

Scale: Not to Scale Date: 23/11/2020 Drawn: Viking

Detail Ref: **VIK_ENV_020_VENTROOF**

Viking Roofspec
Taking care of detail

NOTE:
Ensure cross-ventilation within the roof structure
E.G. use of a Castellated Batten directly under the
Ply substrate or drill 20mm holes at top of timber
supports

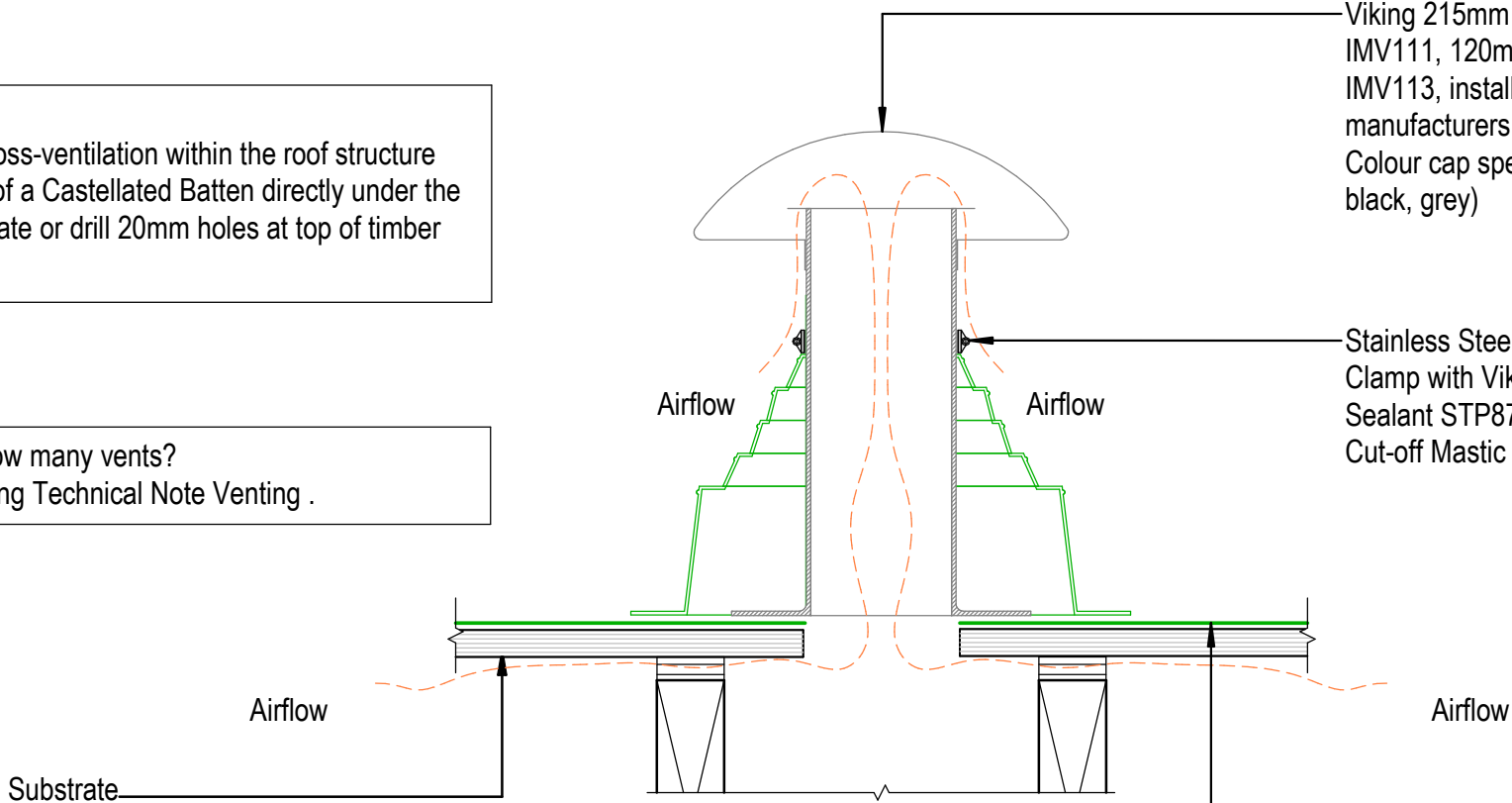
NOTE: How many vents?
Refer Viking Technical Note Venting .

NOTE:
Substrate to comply with current Viking Roofspec
Masterspec specification
Substrate Checksheet available from
www.vikingroofspec.co.nz

Viking 215mm high roof vent
IMV111, 120mm high roof vent
IMV113, installed as per
manufacturers instructions.
Colour cap specified (white,
black, grey)

Stainless Steel Hose
Clamp with Viking
Sealant STP870 Water
Cut-off Mastic

NOTE: Venting not required if
specifying Viking WarmRoof or
WarmSpan systems



<p>DRAWING TITLE</p> <p>Viking Enviroclad Ventilation_Aluminium Cavity Vent</p>

<p>NOTES:</p> <ul style="list-style-type: none"> * Angle fillets are not required at upstands for Enviroclad * All fixings, cladding and structure are indicative only unless notated

CodeMark

Cert # GM-CMNZ30058
Cert # BV-CMNZ70176
Enviroclad systems are CodeMarked

DRAWING INFORMATION ONLY			
Scale:	Date:	Drawn:	Viking
Not to Scale	23/11/2020		
Detail Ref: VIK_ENV_020A_VENTROOF			

NOTE:

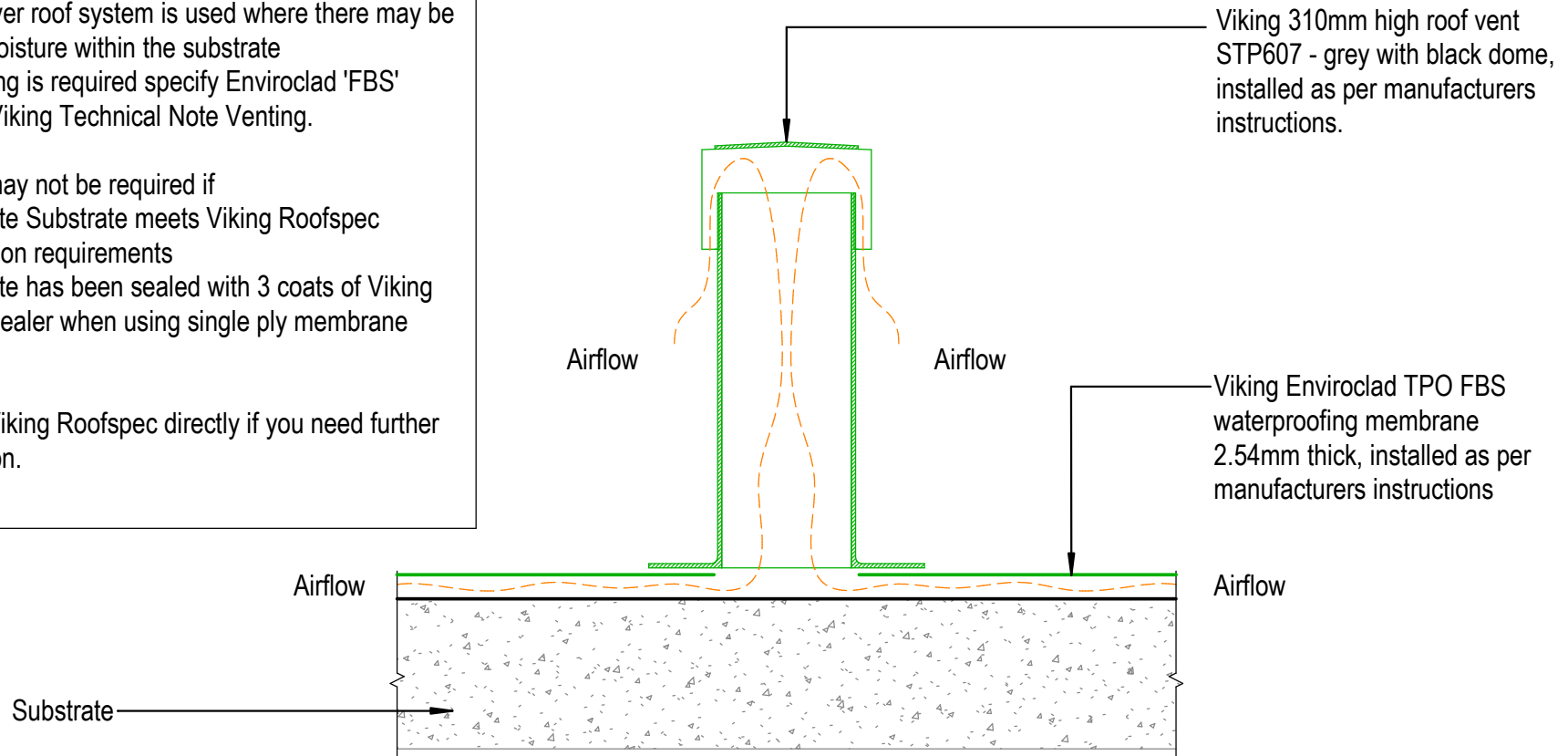
Venting of substrate may be required if...

- 1/ A recover roof system is used where there may be excess moisture within the substrate
- 2/ If venting is required specify Enviroclad 'FBS'
- 3/ Refer Viking Technical Note Venting.

Venting may not be required if

- 4/ Concrete Substrate meets Viking Roofspec specification requirements
- 5/ Concrete has been sealed with 3 coats of Viking Surface Sealer when using single ply membrane system.

Contact Viking Roofspec directly if you need further clarification.



DRAWING TITLE

Viking Enviroclad
Ventilation_Substrate Roof vent for concrete

NOTES:

- * Angle fillets are not required at upstands for Enviroclad
- * All fixings, cladding and structure are indicative only unless notated

CodeMark

Cert # GM-CMNZ30058
Cert # BV-CMNZ70176
Enviroclad systems are CodeMarked

DRAWING

INFORMATION ONLY

Scale:	Date:	Drawn:	Viking
Not to Scale	23/11/2020		

Detail Ref: **VIK_ENV_020B_VENTROOF**

NOTE:

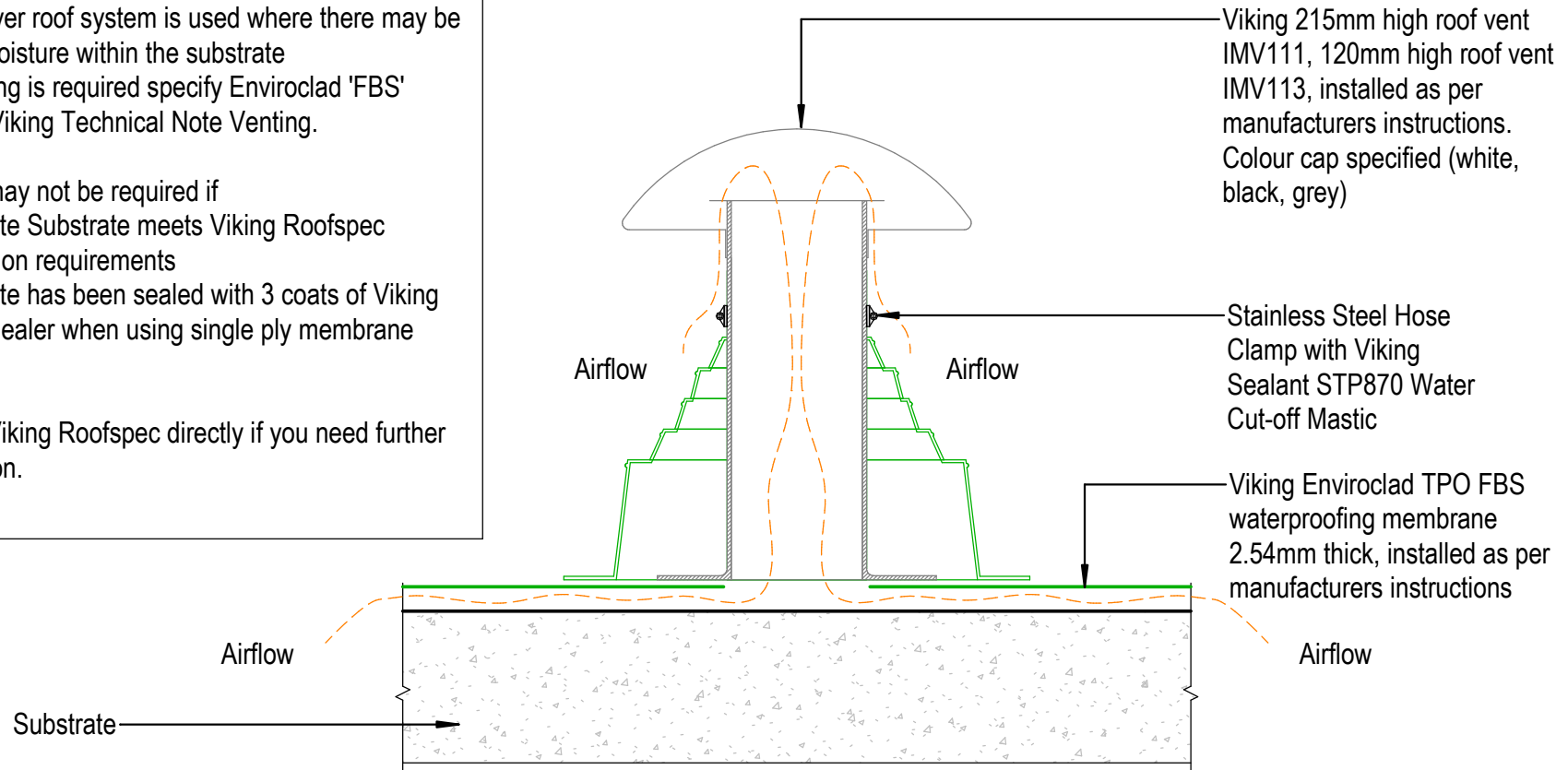
Venting of substrate may be required if...

- 1/ A recover roof system is used where there may be excess moisture within the substrate
- 2/ If venting is required specify Enviroclad 'FBS'
- 3/ Refer Viking Technical Note Venting.

Venting may not be required if

- 4/ Concrete Substrate meets Viking Roofspec specification requirements
- 5/ Concrete has been sealed with 3 coats of Viking Surface Sealer when using single ply membrane system.

Contact Viking Roofspec directly if you need further clarification.



DRAWING TITLE

Viking Enviroclad
Ventilation_Substrate Aluminium Roof vent for concrete

NOTES:

- * Angle fillets are not required at upstands for Enviroclad
- * All fixings, cladding and structure are indicative only unless notated

CodeMark

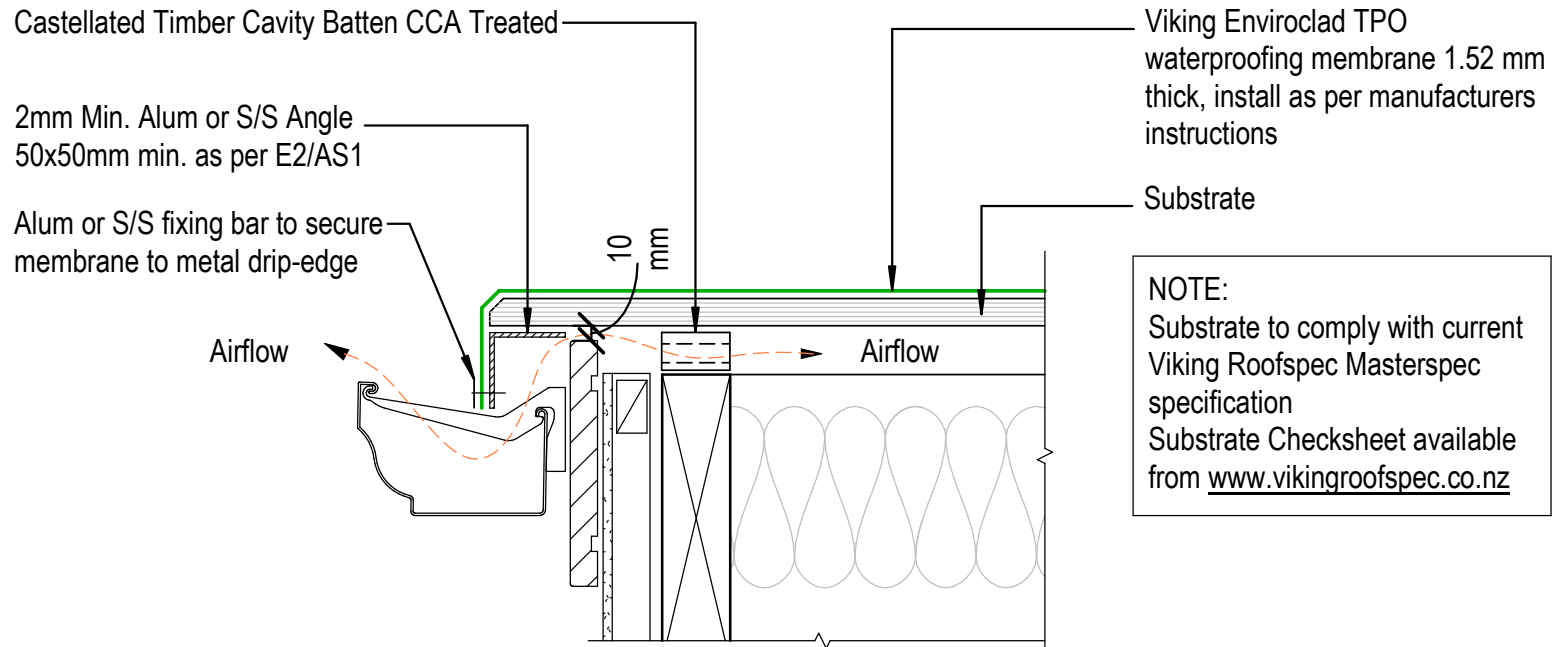
Cert # GM-CMNZ30058
Cert # BV-CMNZ70176
Enviroclad systems are CodeMarked

DRAWING

INFORMATION ONLY

Scale:	Date:	Drawn:	Viking
Not to Scale	23/11/2020		

Detail Ref: **VIK_ENV_020C_VENTROOF**



NOTE:
 Substrate to comply with current Viking Roofspec Masterspec specification
 Substrate Checksheet available from www.vikingroofspec.co.nz

NOTE:
 E2.3.5 Concealed spaces and cavities in buildings must be constructed in a way that prevents external moisture being accumulated or transferred and causing condensation, fungal growth, or the degradation of building elements

NOTE: VENTING
 Alternatively vent through Soffit or through top of roof with Viking Cavity Vents



DRAWING TITLE
Viking Enviroclad Ventilation_Cavity vent at Drip edge

NOTES:
* Angle fillets are not required at upstands for Enviroclad * All fixings, cladding and structure are indicative only unless notated

CodeMark

Cert # GM-CMNZ30058
 Cert # BV-CMNZ70176
 Enviroclad systems are CodeMarked

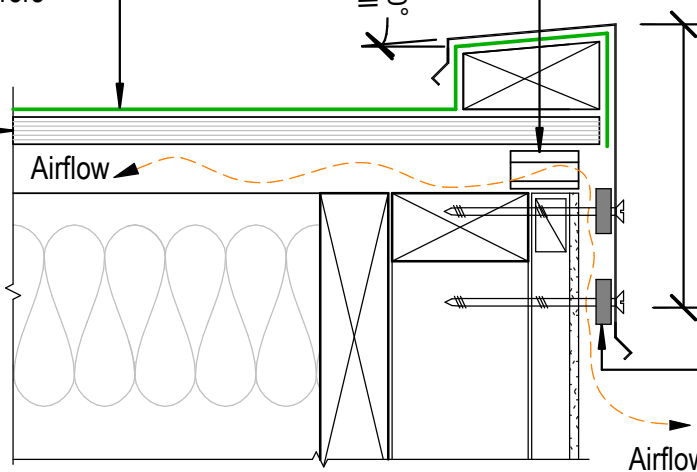
DRAWING INFORMATION ONLY			
Scale:	Date:	Drawn:	Viking
Not to Scale	23/11/2020		
Detail Ref:			VIK_ENV_021_VENTDRIP

Castellated Timber Cavity Batten CCA Treated

Viking Enviroclad TPO waterproofing membrane 1.52 mm thick, install as per manufacturers instructions

Substrate

5.00°
Fall



Refer to Table 7 E2/AS1

Spacer washers, 5 -10mm thickness

NOTE:
Substrate to comply with current Viking Roofspec Masterspec specification
Substrate Checksheet available from www.vikingroofspec.co.nz

NOTE: VENTING
Alternatively vent through Soffit or through top of roof with Viking Cavity Vents

DRAWING TITLE

Viking Enviroclad
Ventilation_Cavity vent at Parapet

NOTES:

- * Angle fillets are not required at upstands for Enviroclad
- * All fixings, cladding and structure are indicative only unless notated

CodeMark

Cert # GM-CMNZ30058
Cert # BV-CMNZ70176
Enviroclad systems are CodeMarked

DRAWING

INFORMATION ONLY

Scale:	Date:	Drawn:	Viking
Not to Scale	23/11/2020		

Detail Ref: **VIK_ENV_021A_VENTPAPA**

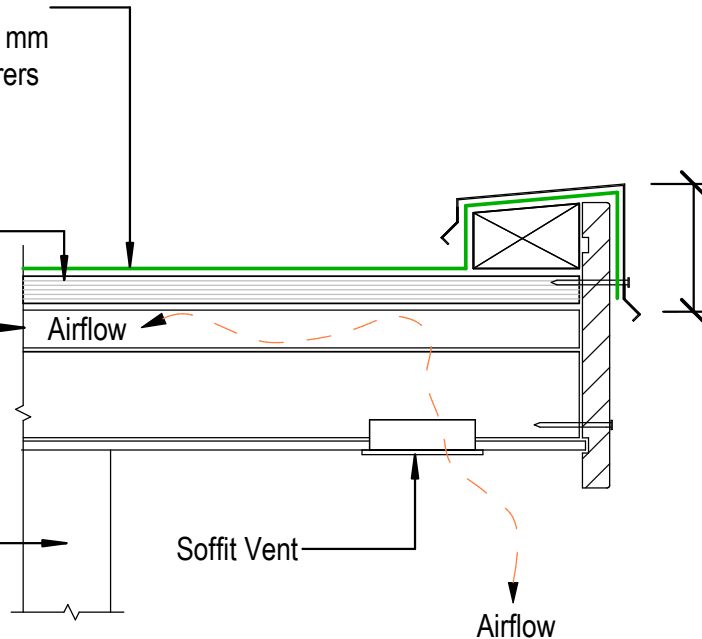
Viking Roofspec
Taking care of detail

Viking Enviroclad TPO waterproofing membrane 1.52 mm thick, install as per manufacturers instructions

Substrate

Castellated Timber Cavity Batten CCA Treated for cross ventilation between substrate and insulation

Selected exterior cladding installed as per manufactures specifications



Refer to Table 7 E2/AS1

NOTE:
Substrate to comply with current Viking Roofspec Masterspec specification
Substrate Checksheet available from www.vikingroofspec.co.nz

NOTE: Soffit Vents may be louvre vents or others

NOTE: VENTING
Alternatively vent through Soffit or through top of roof with Viking Cavity Vents

DRAWING TITLE

Viking Enviroclad
Ventilation_Cavity vent through Soffit

NOTES:

* Angle fillets are not required at upstands for Enviroclad
* All fixings, cladding and structure are indicative only unless notated

CodeMark

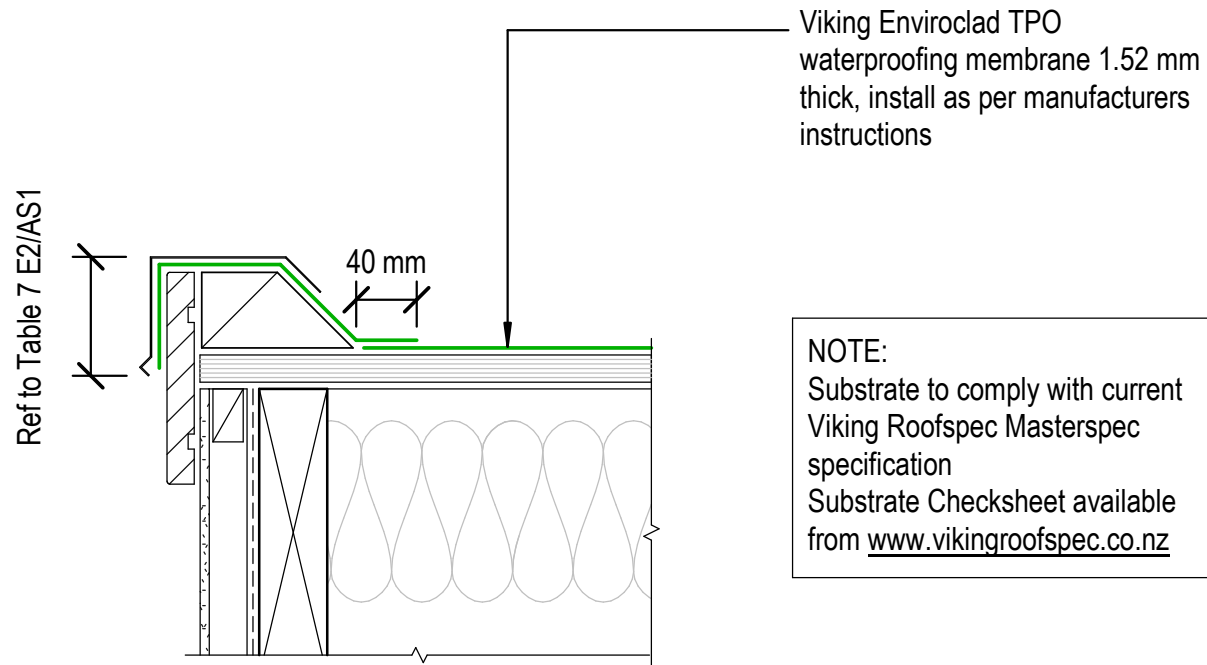
Cert # GM-CMNZ30058
Cert # BV-CMNZ70176
Enviroclad systems are CodeMarked

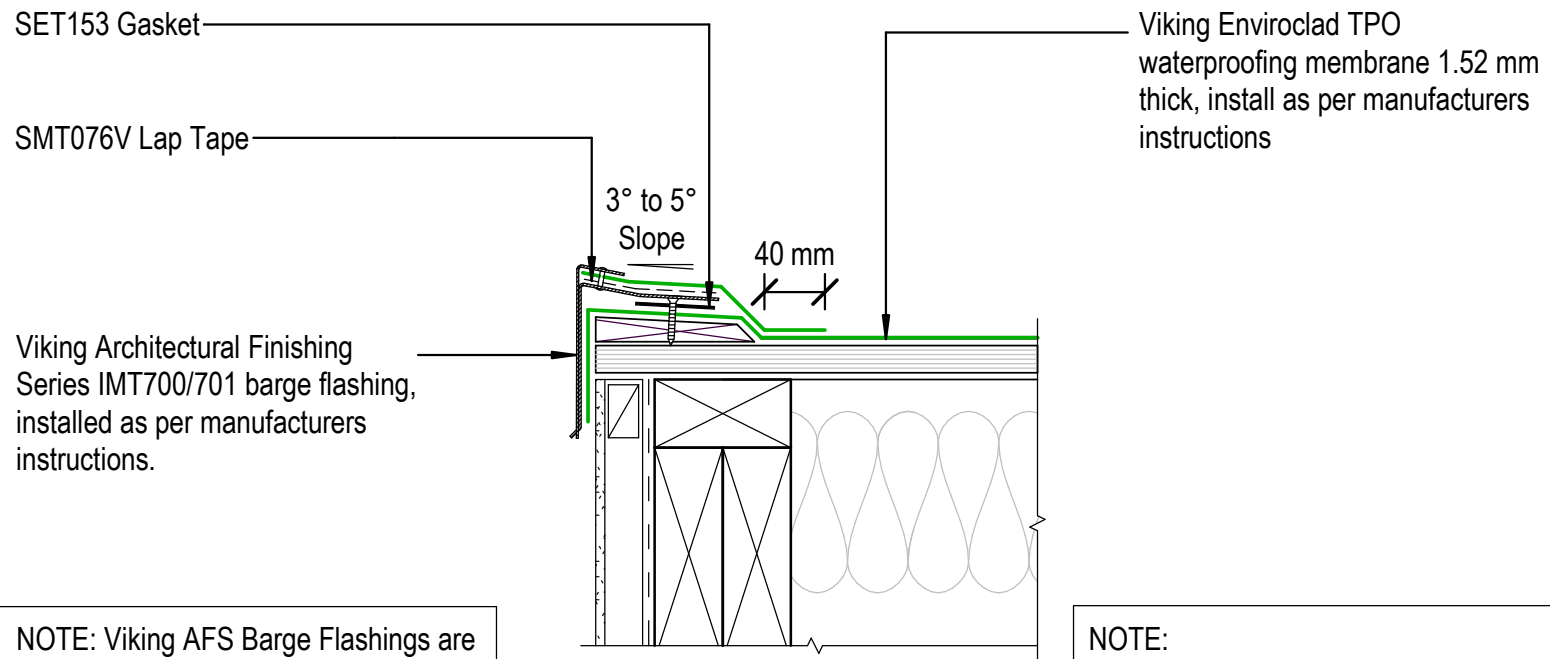
DRAWING

INFORMATION ONLY

Scale:	Date:	Drawn:	Viking
Not to Scale	23/11/2020		
Detail Ref:			VIK_ENV_021B_VENTSOFF



Viking Roofspec
Taking care of detail





NOTE: Viking AFS Barge Flashings are angled to suit 5° slope to the top of Parapet or Barge. For slopes greater than 5° modifications to these flashings or allow 6 weeks pre-order with Roofspect.

NOTE: Substrate to comply with current Viking Roofspect Masterspec specification. Substrate Checksheet available from www.vikingroofspect.co.nz

	DRAWING TITLE	NOTES:	DRAWING INFORMATION ONLY				
	Viking Enviroclad Verge_Barge with Low Profile AFS	<ul style="list-style-type: none"> * Angle fillets are not required at upstands for Enviroclad * All fixings, cladding and structure are indicative only unless notated 		Scale:	Date:	Drawn:	Viking
			Cert # GM-CMNZ30058 Cert # BV-CMNZ70176 Enviroclad systems are CodeMarked	Not to Scale	23/11/2020		

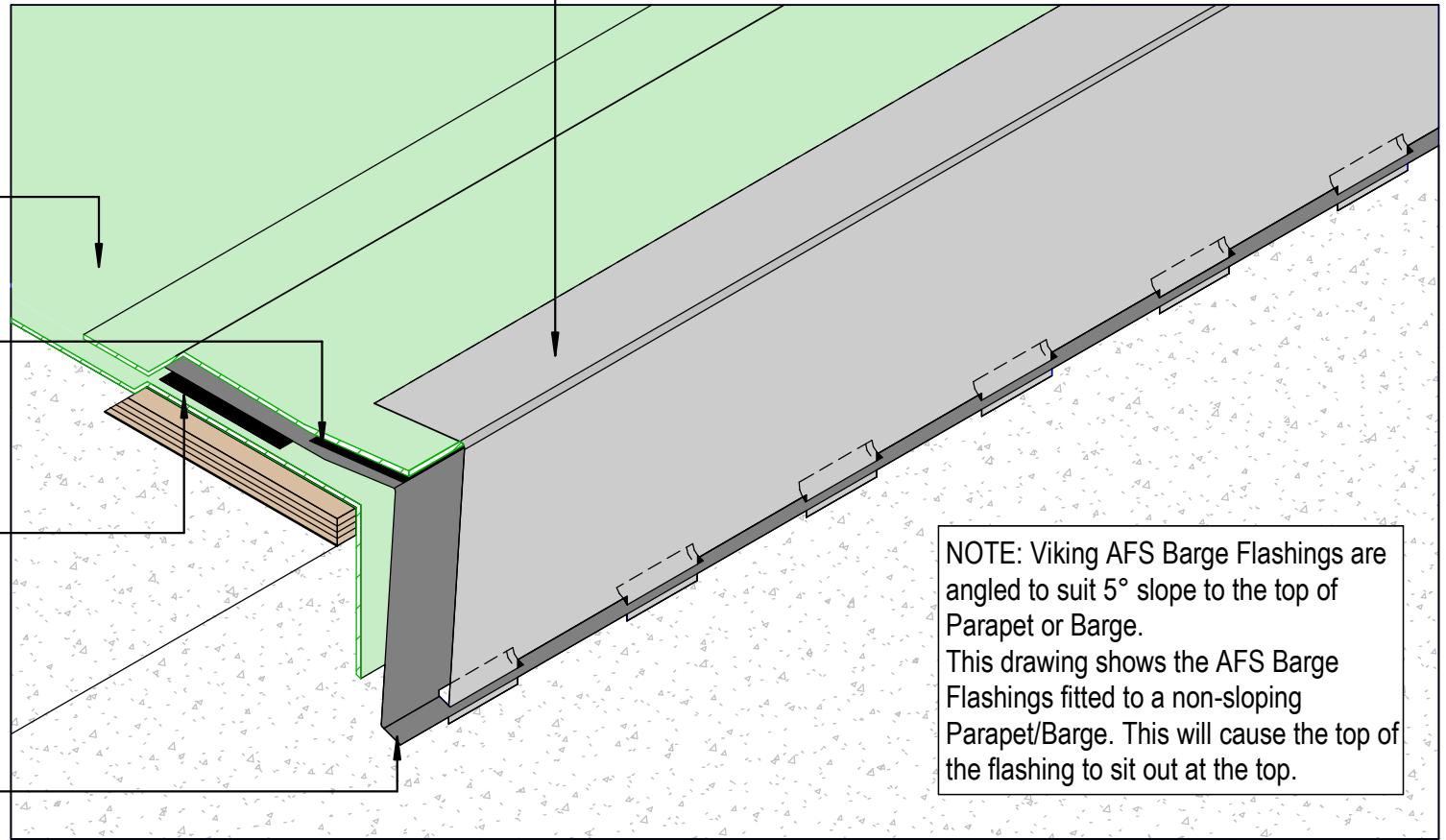
Viking Architectural Finishing Series IMT700 Cover - Flashing, Alum 1.6mm installed as per manufacturers instructions.

Viking Enviroclad TPO waterproofing membrane 1.52 mm thick, install as per manufacturers instructions.

SMT076V Lap Tape

SET153 Gasket

Viking Architectural Finishing Series IMT701 Base - Flashing, Alum 1.6mm installed as per manufacturers instructions.



NOTE: Viking AFS Barge Flashings are angled to suit 5° slope to the top of Parapet or Barge. This drawing shows the AFS Barge Flashings fitted to a non-sloping Parapet/Barge. This will cause the top of the flashing to sit out at the top.

NOTE:
Ref drawing VEN_031

DRAWING TITLE

Viking Enviroclad
Verge_Barge with Low Profile AFS in ISOMETRIC

NOTES:

* Angle fillets are not required at upstands for Enviroclad
* All fixings, cladding and structure are indicative only unless notated

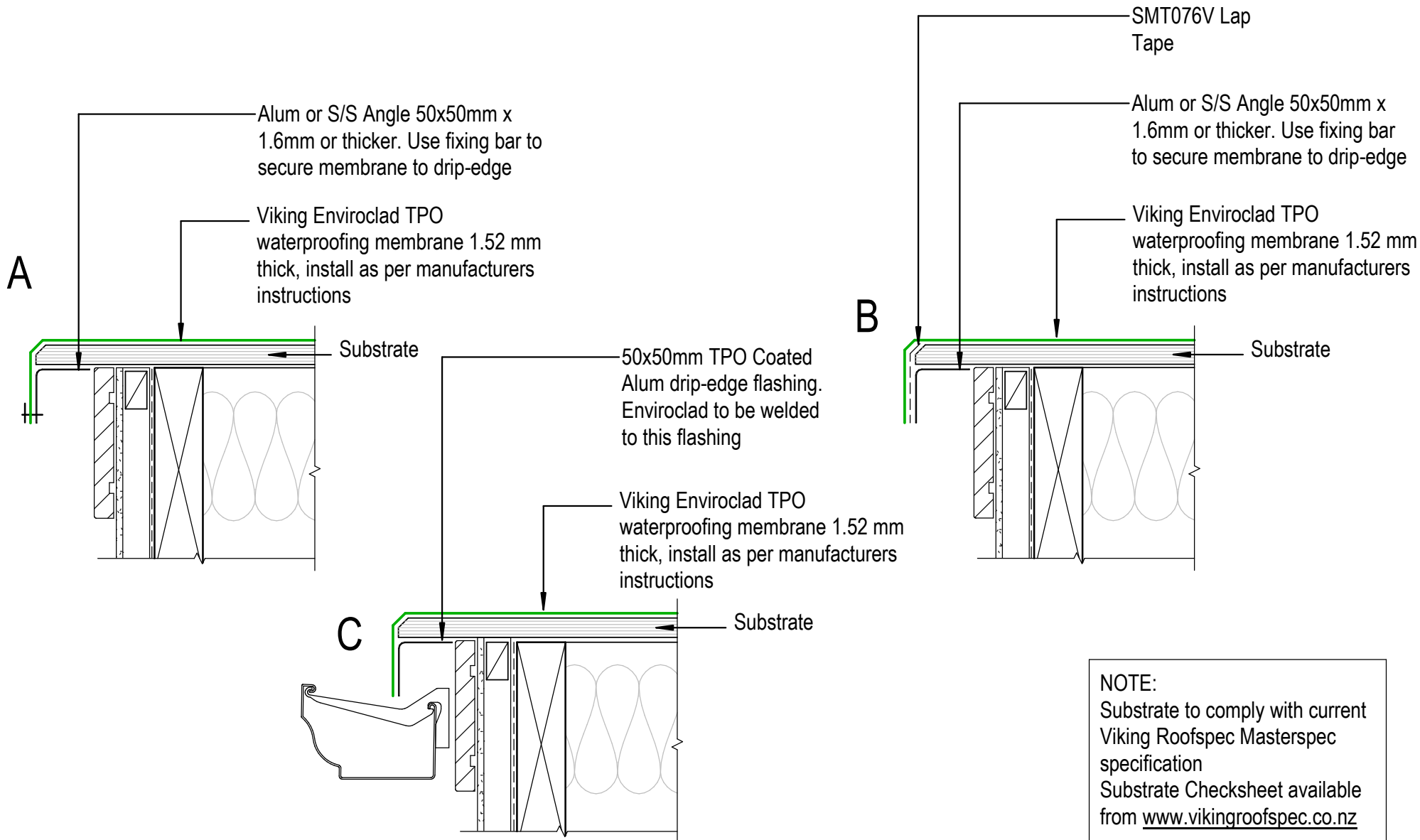
CodeMark

Cert # GM-CMNZ30058
Cert # BV-CMNZ70176
Enviroclad systems are CodeMarked

DRAWING

INFORMATION ONLY

Scale:	Date:	Drawn:	Viking
Not to Scale	23/11/2020		
Detail Ref: VIK_ENV_031A_VERGBARG			



NOTE:
 Substrate to comply with current Viking Roofspec Masterspec specification
 Substrate Checksheet available from www.vikingroofspec.co.nz

DRAWING TITLE

Viking Enviroclad
 Verge_Drip edge to External Spouting

NOTES:

- * Angle fillets are not required at upstands for Enviroclad
- * All fixings, cladding and structure are indicative only unless notated

CodeMark

Cert # GM-CMNZ30058

Cert # BV-CMNZ70176

Enviroclad systems are CodeMarked

DRAWING

INFORMATION ONLY

Scale:	Date:	Drawn:	Viking
Not to Scale	23/11/2020		

Detail Ref: **VIK_ENV_032_VERGDRIP**

Viking Enviroclad TPO waterproofing membrane 1.52 mm thick, install as per manufacturers instructions

150 mm membrane upstand

Substrate

Alum or S/S Angle 50x50mm x 1.6mm or thicker. Use fixing bar to secure membrane to drip-edge

Fixing bar

Continue membrane

150mm

Viking TPO Corner Flashing as a Diverter. Weld to Enviroclad field sheet and upstand

Cladding and underlay to cover membrane upstand

Cladding

Cladding underlay

NOTE:
Substrate to comply with current Viking Roofspec Masterspec specification
Substrate Checksheet available from www.vikingroofspec.co.nz

DRAWING TITLE

Viking Enviroclad
Verge_edge with wall continuing, Diverter for cladding

NOTES:

* Angle fillets are not required at upstands for Enviroclad
* All fixings, cladding and structure are indicative only unless notated

CodeMark

Cert # GM-CMNZ30058

Cert # BV-CMNZ70176

Enviroclad systems are CodeMarked

DRAWING

INFORMATION ONLY

Scale:
Not to Scale

Date:
23/11/2020

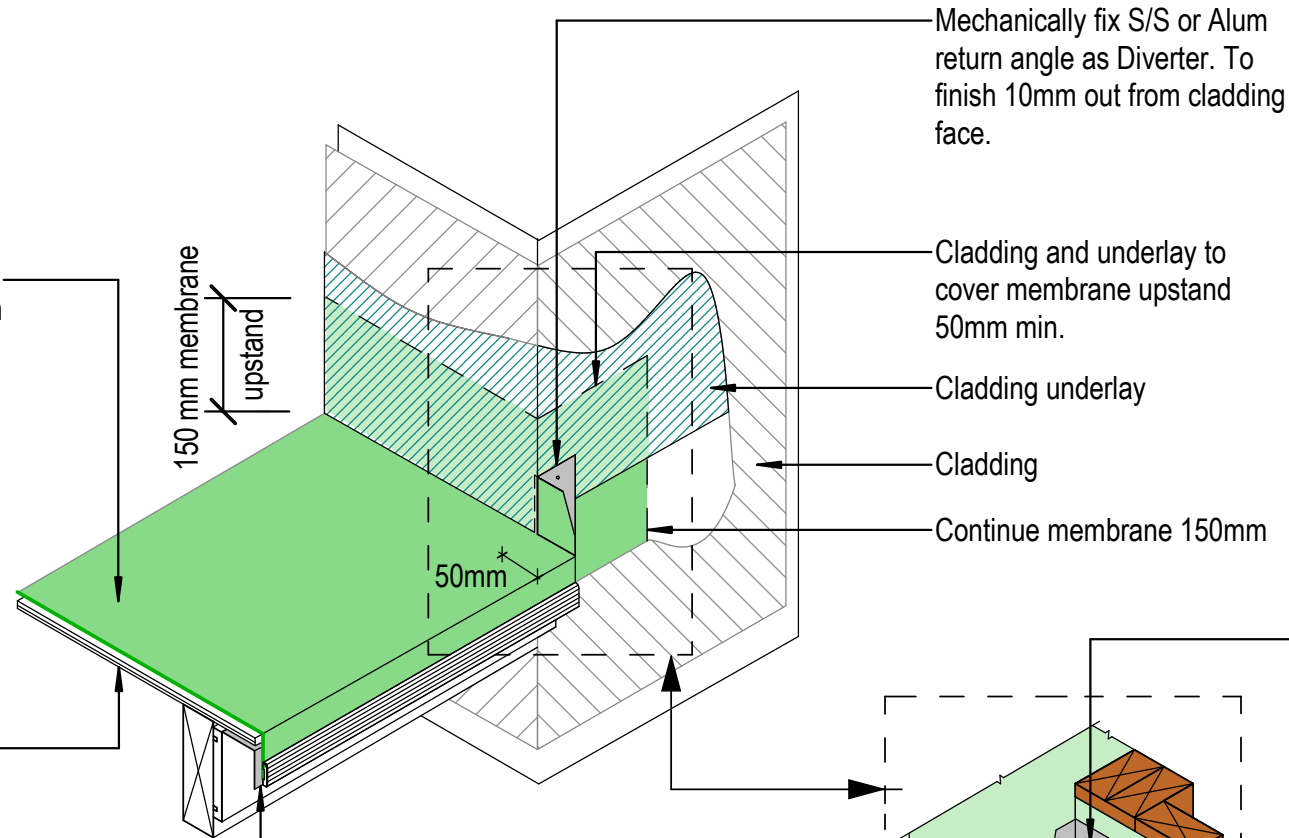
Drawn:
Viking

Detail Ref:

VIK_ENV_033_VERGEDGE

Viking Roofspec
Taking care of detail

Viking Enviroclad TPO waterproofing membrane 1.52 mm thick, install as per manufacturers instructions



Mechanically fix S/S or Alum return angle as Diverter. To finish 10mm out from cladding face.

Cladding and underlay to cover membrane upstand 50mm min.

Cladding underlay

Cladding

Continue membrane 150mm

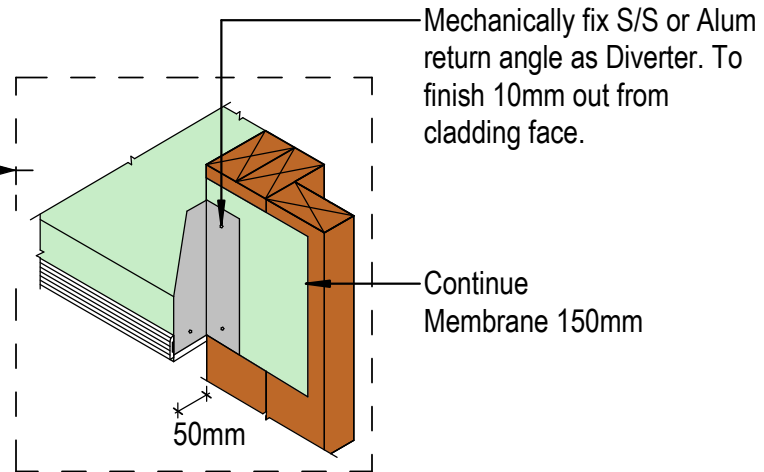
Substrate

150 mm membrane upstand

50mm

NOTE:
Substrate to comply with current Viking Roofspec Masterspec specification
Substrate Checksheet available from www.vikingroofspec.co.nz

TPO coated Alum Angle 50x50mm min. as per E2/AS1
Enviroclad can be welded to drip-edge for a secure termination



Mechanically fix S/S or Alum return angle as Diverter. To finish 10mm out from cladding face.

Continue Membrane 150mm

50mm

DRAWING TITLE

Viking Enviroclad
Verge_edge with wall returning, Diverter for cladding

NOTES:

* Angle fillets are not required at upstands for Enviroclad
* All fixings, cladding and structure are indicative only unless notated

CodeMark

Cert # GM-CMNZ30058

Cert # BV-CMNZ70176

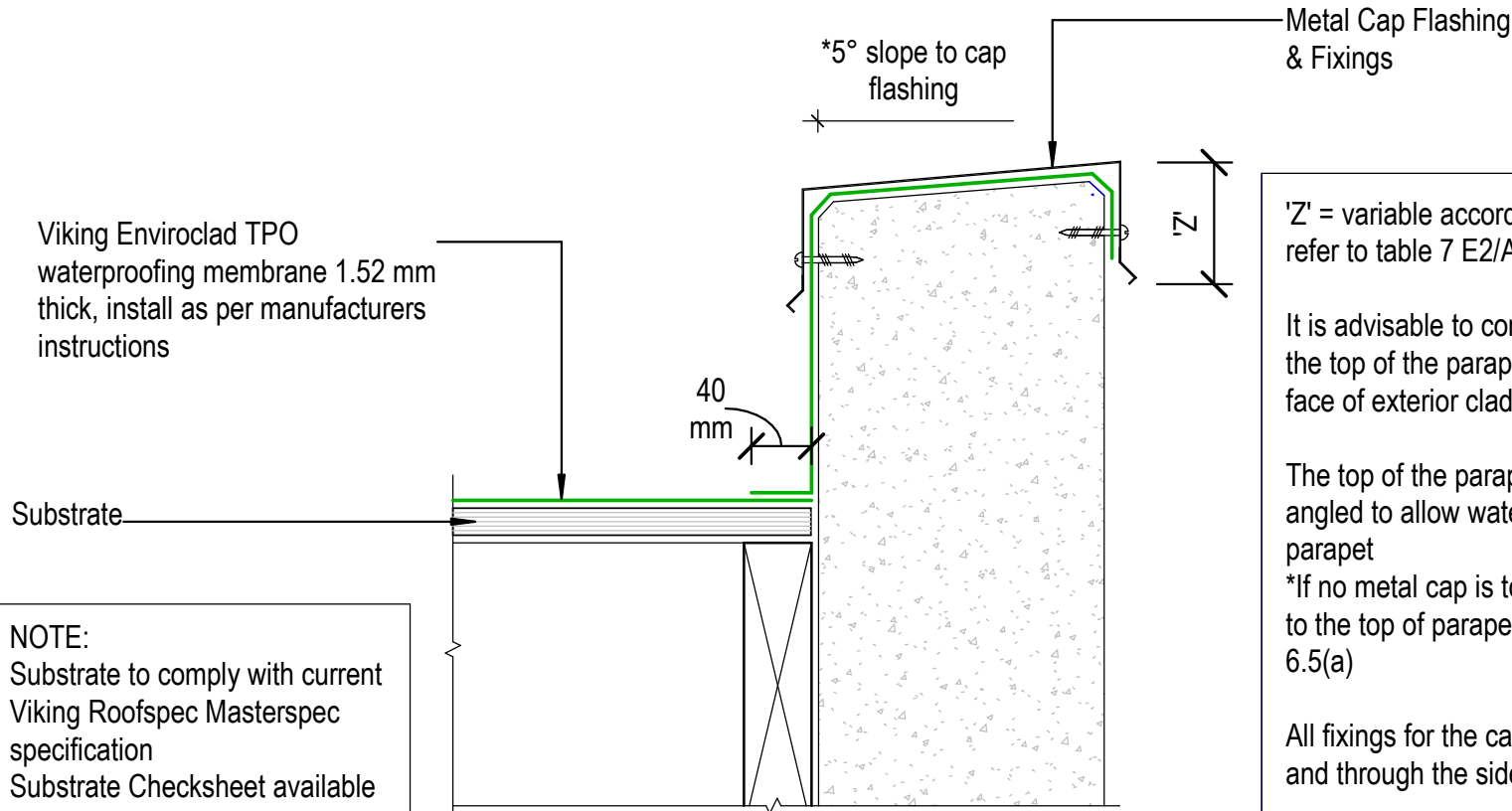
Enviroclad systems are CodeMarked

DRAWING

INFORMATION ONLY

Scale: Not to Scale Date: 23/11/2020 Drawn: Viking

Detail Ref: **VIK_ENV_033A_VERGEDGE**



Viking Enviroclad TPO waterproofing membrane 1.52 mm thick, install as per manufacturers instructions

Substrate

*5° slope to cap flashing

Metal Cap Flashing & Fixings

40 mm

Z

'Z' = variable according to wind zone, please refer to table 7 E2/AS1

It is advisable to continue the membrane over the top of the parapet and finish over the front face of exterior cladding

The top of the parapet substrate, must be angled to allow water to run off the top of the parapet
 *If no metal cap is to be used, then a 10° slope to the top of parapet is required. Refer E2/AS1 6.5(a)

All fixings for the cap flashing, must be sealed and through the side of the flashing.

NOTE:
 Substrate to comply with current Viking Roofspec Masterspec specification
 Substrate Checksheet available from www.vikingroofspec.co.nz

DRAWING TITLE

Viking Enviroclad Parapet_with Cap

NOTES:

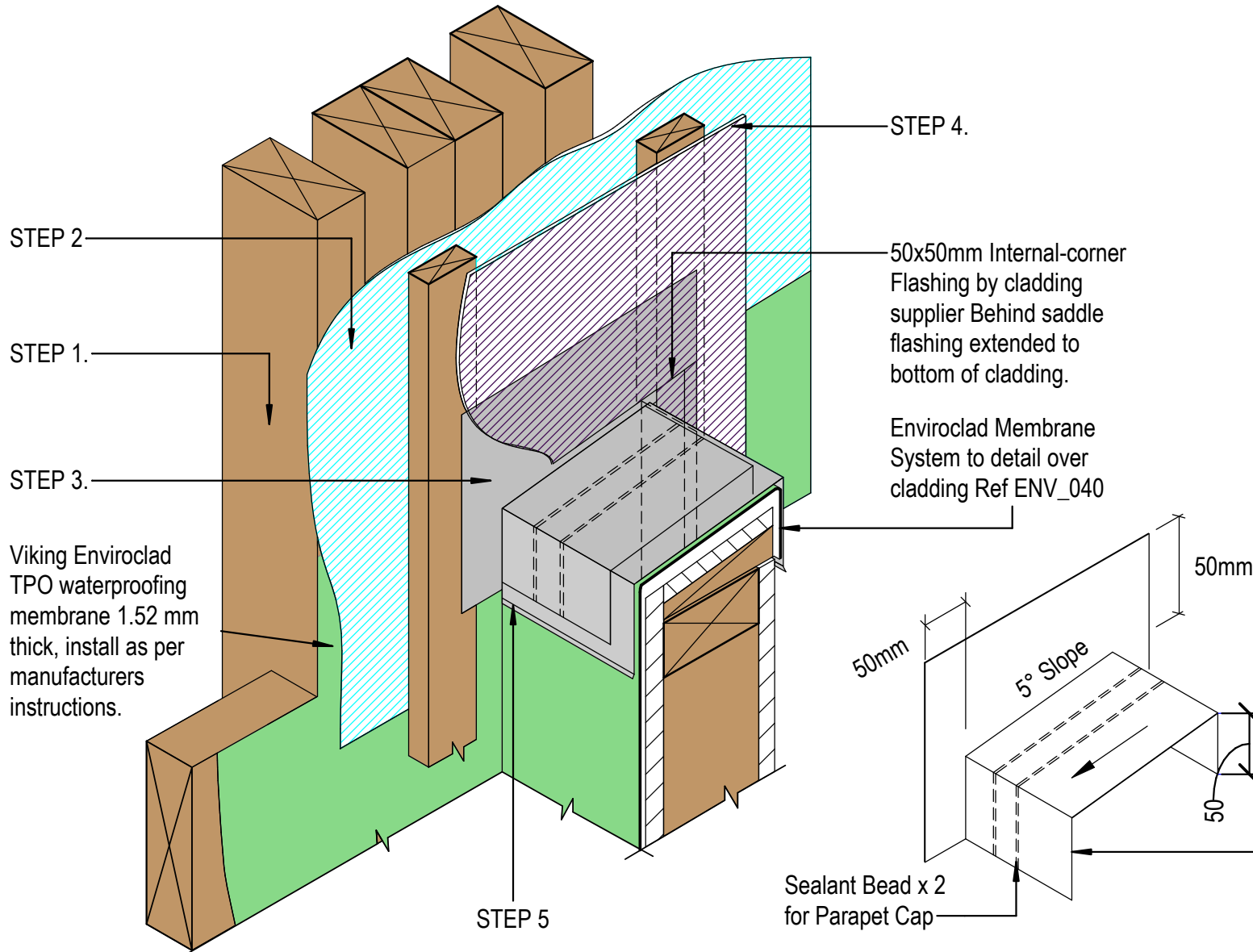
* Angle fillets are not required at upstands for Enviroclad
 * All fixings, cladding and structure are indicative only unless notated

CodeMark

Cert # GM-CMNZ30058
 Cert # BV-CMNZ70176
 Enviroclad systems are CodeMarked

DRAWING INFORMATION ONLY

Scale:	Date:	Drawn:	Viking
Not to Scale	23/11/2020		
Detail Ref:			VIK_ENV_040_PARACAP



- STEPS**
- STEP 1. Viking Enviroclad behind cavity batten fully supported by substrate plywood or timber. Finish 150mm over & beyond the parapet junction
- STEP 2. Wall Underlay behind cavity. Finish over membrane
- STEP 3. *Saddle Flashing over cavity batten, directly behind cladding, refer Fig12 E2/AS1
- STEP 4. Cladding to seal to saddle flashing
- STEP 5. Metal Cap flashing to seal to saddle flashing

DRAWING TITLE

Viking Enviroclad
Parapet_Parapet meets wall

NOTES:

- * Angle fillets are not required at upstands for Enviroclad
- * All fixings, cladding and structure are indicative only unless notated

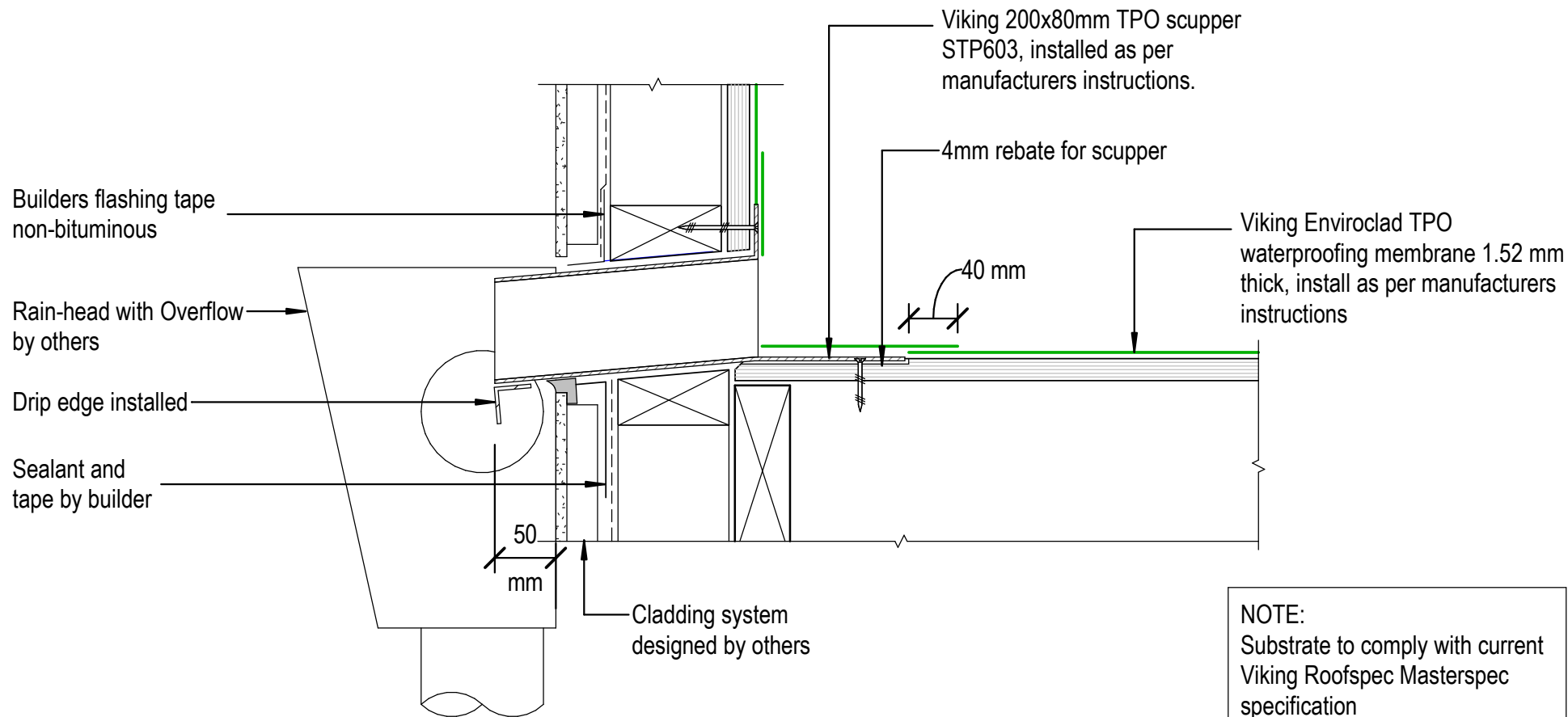
CodeMark

Cert # GM-CMNZ30058
Cert # BV-CMNZ70176
Enviroclad systems are CodeMarked

DRAWING

INFORMATION ONLY

Scale:	Date:	Drawn:	Viking
Not to Scale	23/11/2020		
Detail Ref: VIK_ENV_040A_PARAWALL			



NOTE:
 Substrate to comply with current Viking Roofspec Masterspec specification
 Substrate Checksheet available from www.vikingroofspec.co.nz

DRAWING TITLE

Viking Enviroclad
 Parapet_ with scupper outlet

NOTES:

- * Angle fillets are not required at upstands for Enviroclad
- * All fixings, cladding and structure are indicative only unless notated

CodeMark

Cert # GM-CMNZ30058

Cert # BV-CMNZ70176

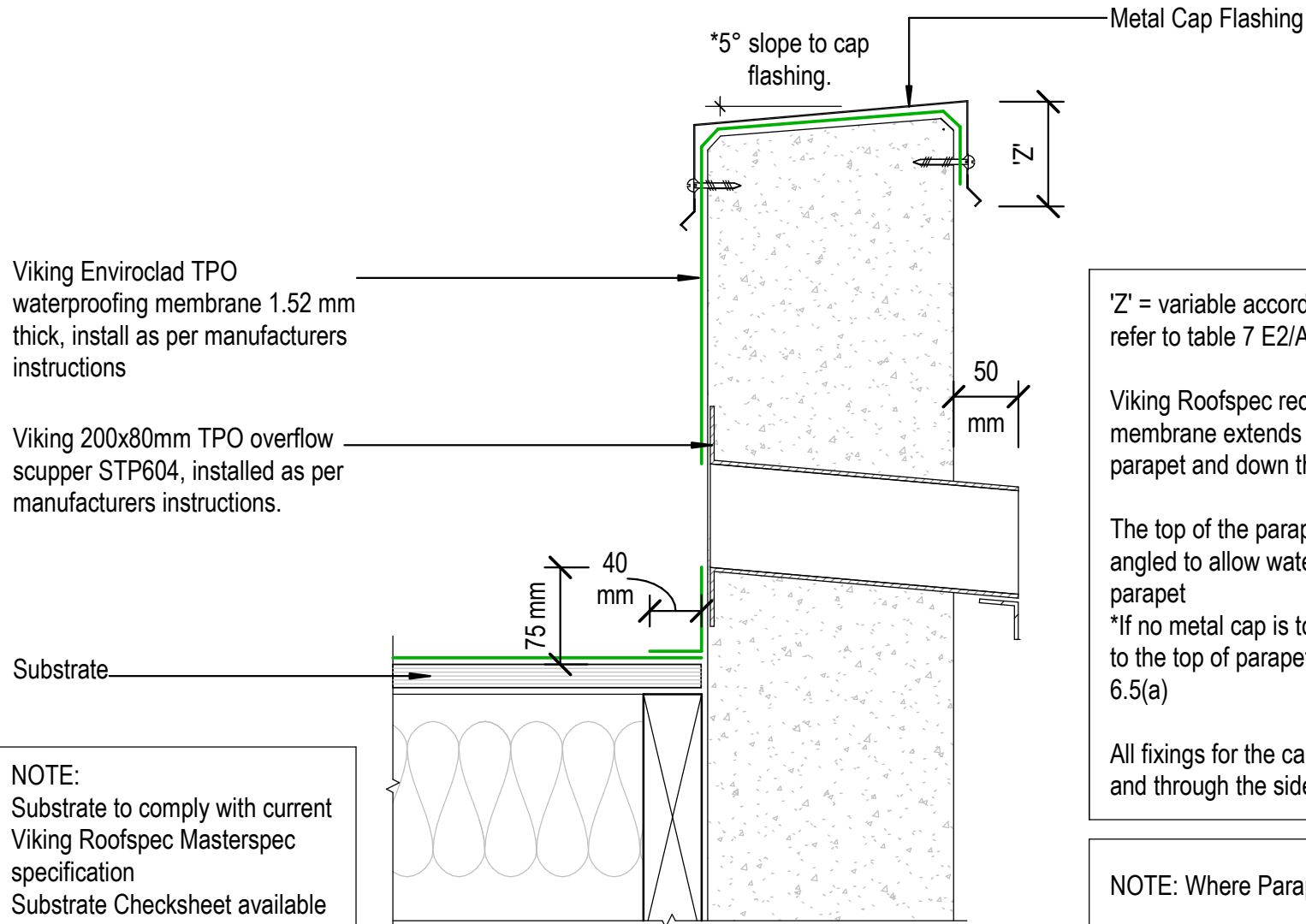
Enviroclad systems are CodeMarked

DRAWING

INFORMATION ONLY

Scale:	Date:	Drawn:	Viking
Not to Scale	23/11/2020		

Detail Ref: **VIK_ENV_041_PARASCUP**



Viking Enviroclad TPO waterproofing membrane 1.52 mm thick, install as per manufacturers instructions

Viking 200x80mm TPO overflow scupper STP604, installed as per manufacturers instructions.

Substrate

NOTE:
Substrate to comply with current Viking Roofspec Masterspec specification
Substrate Checksheet available from www.vikingroofspec.co.nz

'Z' = variable according to wind zone, please refer to table 7 E2/AS1

Viking Roofspec recommend that the membrane extends across the top of the parapet and down the front face of the cladding

The top of the parapet substrate, must be angled to allow water to run off the top of the parapet
*If no metal cap is to be used, then a 10° slope to the top of parapet is required. Refer E2/AS1 6.5(a)

All fixings for the cap flashing, must be sealed and through the side of the flashing.

NOTE: Where Parapet meets wall refer ENV_40A

DRAWING TITLE

Viking Enviroclad
Parapet_with overflow

NOTES:

* Angle fillets are not required at upstands for Enviroclad
* All fixings, cladding and structure are indicative only unless notated

CodeMark

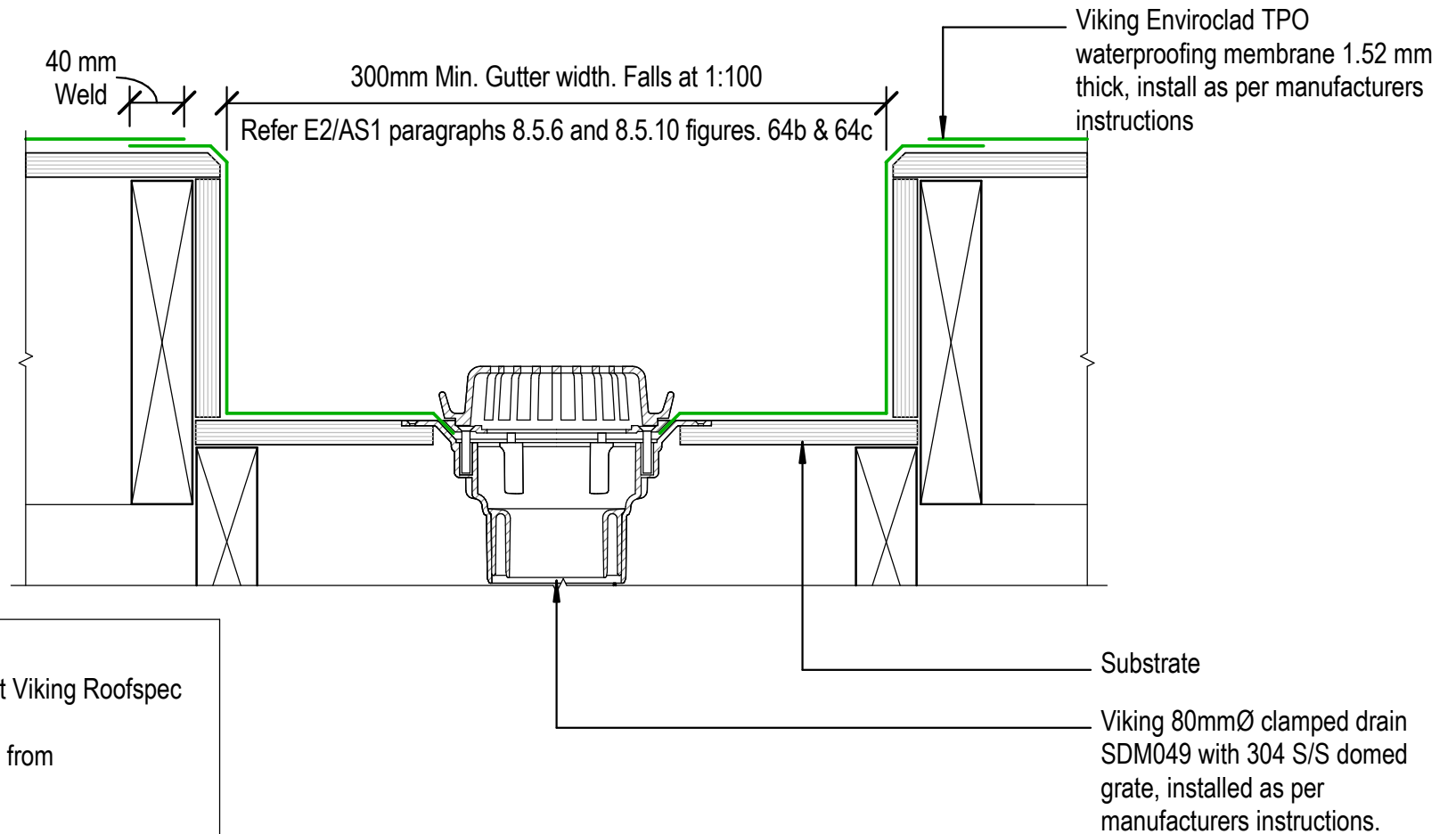
Cert # GM-CMNZ30058
Cert # BV-CMNZ70176
Enviroclad systems are CodeMarked

DRAWING

INFORMATION ONLY

Scale:	Date:	Drawn:	Viking
Not to Scale	23/11/2020		
Detail Ref:			VIK_ENV_042_PARAOVER

NOTE: It is Viking Roofspecs view that Internal Gutters can be eliminated in many cases. In doing so you could reduce the overall heights or increase roof falls while reducing risk and details. To find out more refer to Detail Notes_Best Practice Design in Membrane Roofing



NOTE:
Substrate to comply with current Viking Roofspec Masterspec specification
Substrate Checksheet available from www.vikingroofspec.co.nz

DRAWING TITLE

Viking Enviroclad
Internal Gutter_with outlet

NOTES:

- * Angle fillets are not required at upstands for Enviroclad
- * All fixings, cladding and structure are indicative only unless notated

CodeMark

Cert # GM-CMNZ30058

Cert # BV-CMNZ70176

Enviroclad systems are CodeMarked

DRAWING

INFORMATION ONLY

Scale:

Not to Scale

Detail Ref:

Date:

23/11/2020

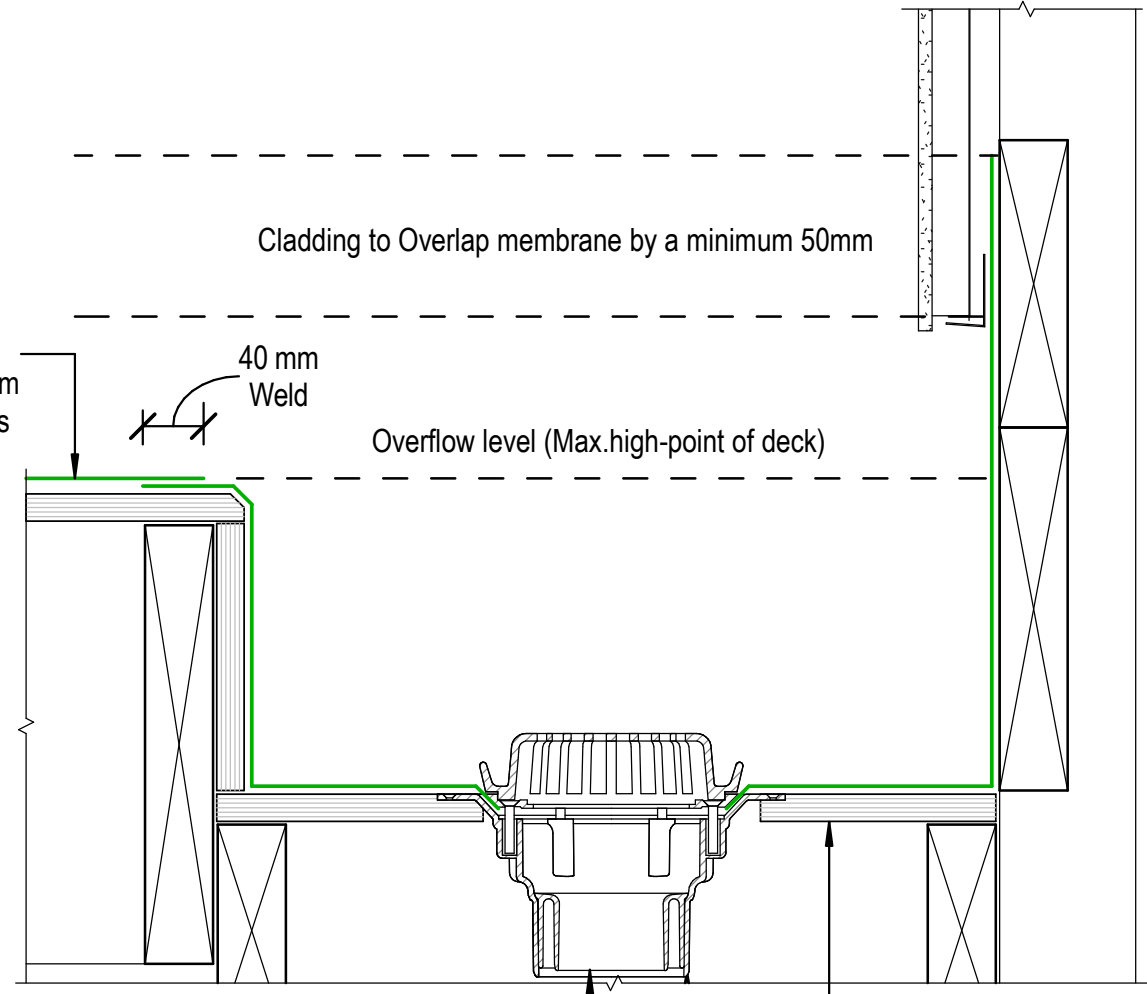
Drawn:

Viking

VIK_ENV_050_GUTTOUTL

Viking Roofspec
Taking care of detail

Viking Enviroclad TPO waterproofing membrane 1.52 mm thick, install as per manufacturers instructions



Cladding to Overlap membrane by a minimum 50mm

40 mm Weld

Overflow level (Max. high-point of deck)

A
B

Membrane continues a further 100mm beyond Internal floor level as per E2/AS1 Fig 62(b,d)

100mm threshold from high-point of deck to Internal floor level or 150mm for roof to wall upstand. Refer E2/A1 Fig 64(b)

Viking 80mmØ clamped drain SDM049 with 304 S/S domed grate, installed as per manufacturers instructions.

Substrate

NOTE:
Substrate to comply with current Viking Roofspec Masterspec specification
Substrate Checksheet available from www.vikingroofspec.co.nz

DRAWING TITLE

Viking Enviroclad
Internal Gutter_to Wall

NOTES:

- * Angle fillets are not required at upstands for Enviroclad
- * All fixings, cladding and structure are indicative only unless notated

CodeMark

Cert # GM-CMNZ30058
Cert # BV-CMNZ70176
Enviroclad systems are CodeMarked

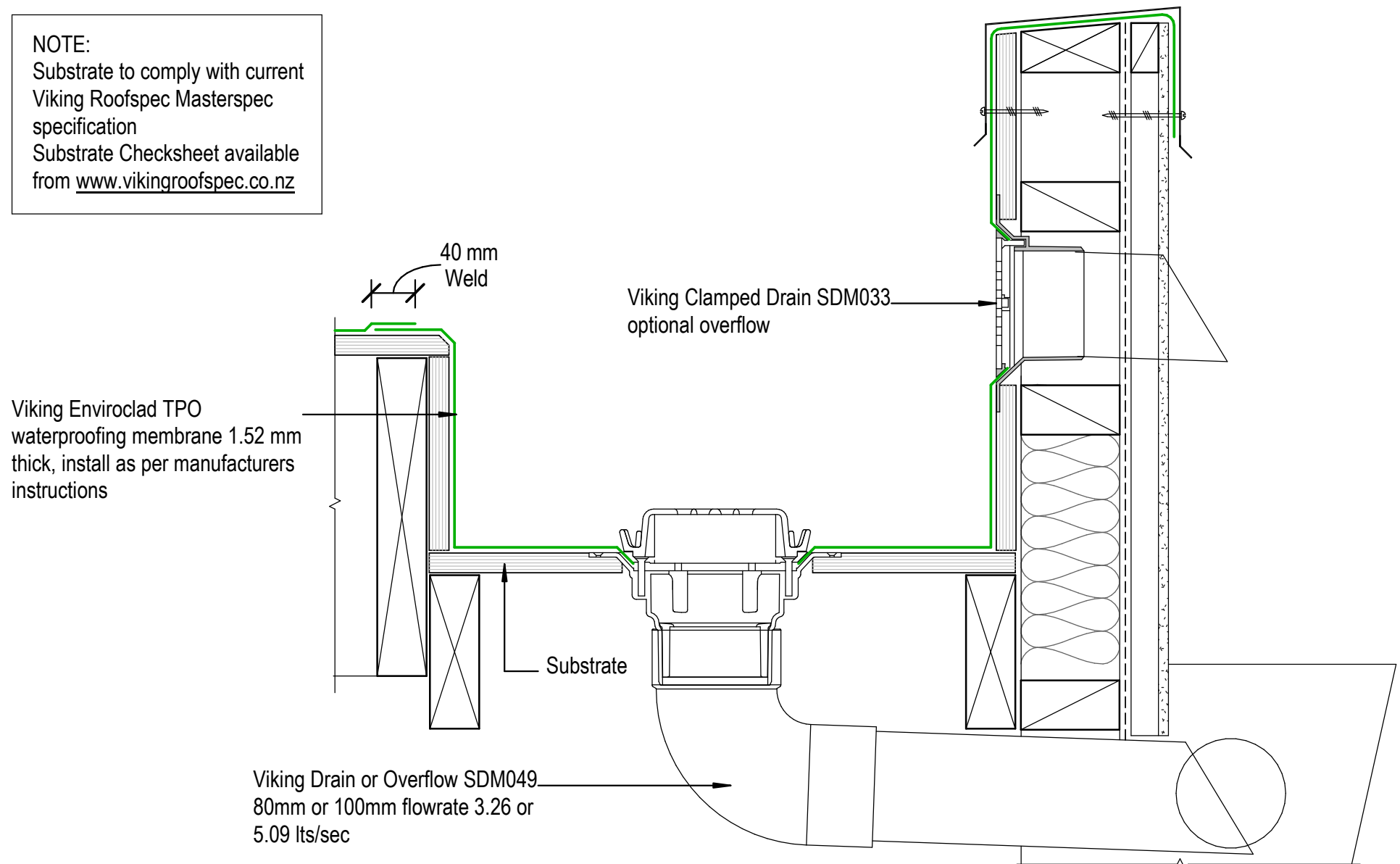
DRAWING

INFORMATION ONLY

Scale:	Date:	Drawn:	Viking
Not to Scale	23/11/2020		
Detail Ref:			VIK_ENV_051_GUTTWALL



NOTE:
 Substrate to comply with current
 Viking Roofspec Masterspec
 specification
 Substrate Checksheet available
 from www.vikingroofspec.co.nz



DRAWING TITLE

Viking Enviroclad
 Internal Gutter_with outlet / overflow

NOTES:

- * Angle fillets are not required at upstands for Enviroclad
- * All fixings, cladding and structure are indicative only unless notated

CodeMark

Cert # GM-CMNZ30058
 Cert # BV-CMNZ70176
 Enviroclad systems are CodeMarked

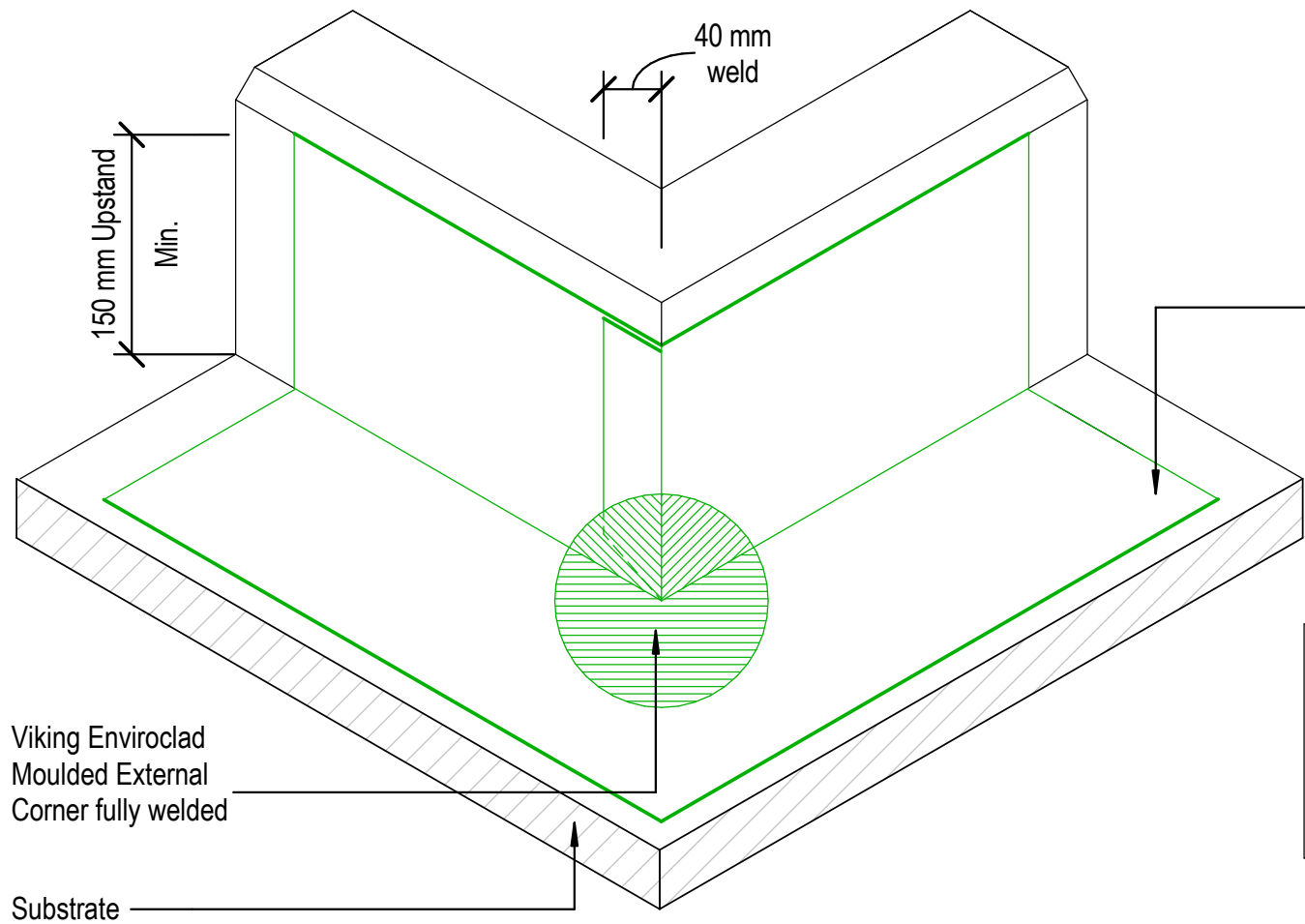
DRAWING

INFORMATION ONLY

Scale:	Date:	Drawn:	Viking
Not to Scale	23/11/2020		

Detail Ref: **VIK_ENV_052_GUTTWALL**





Viking Enviroclad TPO waterproofing membrane 1.52 mm thick, install as per manufacturers instructions

NOTE:
 Substrate to comply with current Viking Roofspec Masterspec specification
 Substrate Checksheet available from www.vikingroofspec.co.nz

DRAWING TITLE

Viking Enviroclad
 Intersection_External corner

NOTES:

- * Angle fillets are not required at upstands for Enviroclad
- * All fixings, cladding and structure are indicative only unless notated

CodeMark

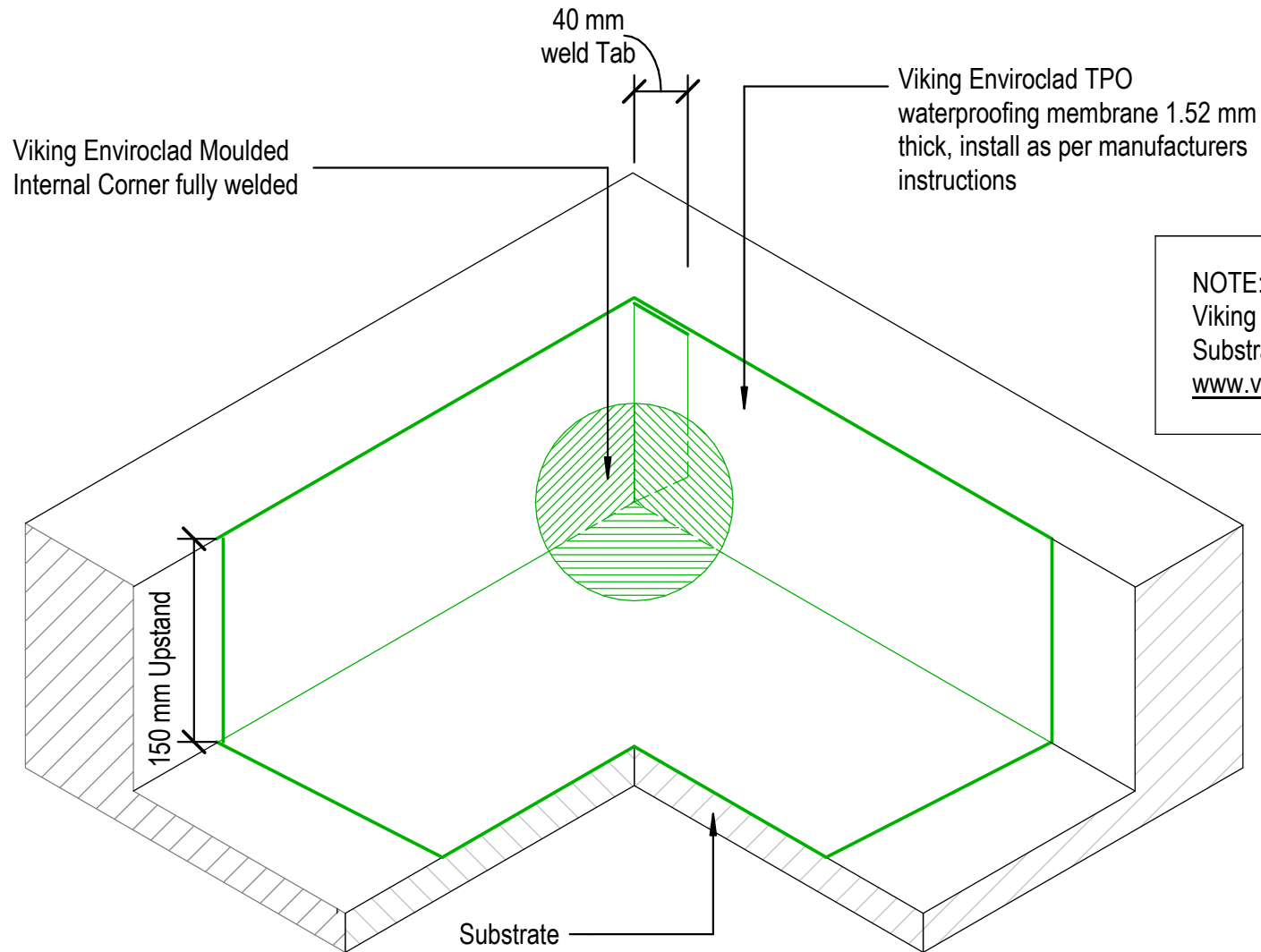
Cert # GM-CMNZ30058
 Cert # BV-CMNZ70176
 Enviroclad systems are CodeMarked

DRAWING

INFORMATION ONLY

Scale:	Date:	Drawn:	Viking
Not to Scale	23/11/2020		
Detail Ref:			VIK_ENV_060_INTSECRN





NOTE: Substrate to comply with current Viking Roofspec Masterspec specification Substrate Checksheet available from www.vikingroofspec.co.nz

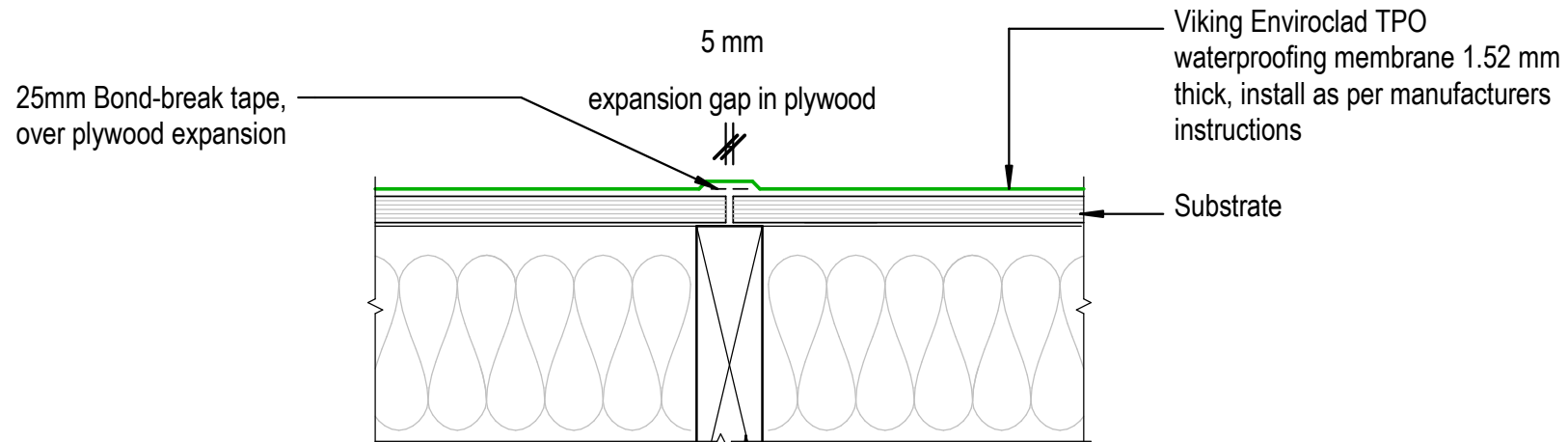


DRAWING TITLE
Viking Enviroclad Intersection_Internal corner

NOTES:
* Angle fillets are not required at upstands for Enviroclad * All fixings, cladding and structure are indicative only unless notated

CodeMark
Cert # GM-CMNZ30058 Cert # BV-CMNZ70176 Enviroclad systems are CodeMarked

DRAWING INFORMATION ONLY			
Scale:	Date:	Drawn:	Viking
Not to Scale	23/11/2020		
Detail Ref:			VIK_ENV_061_INTSICNR



NOTE:
Expansion allowance in the substrate is specific to the structure and design. These are to be determined by designer or engineer.

NOTE:
Substrate to comply with current Viking Roofspec Masterspec specification
Substrate Checksheet available from www.vikingroofspec.co.nz

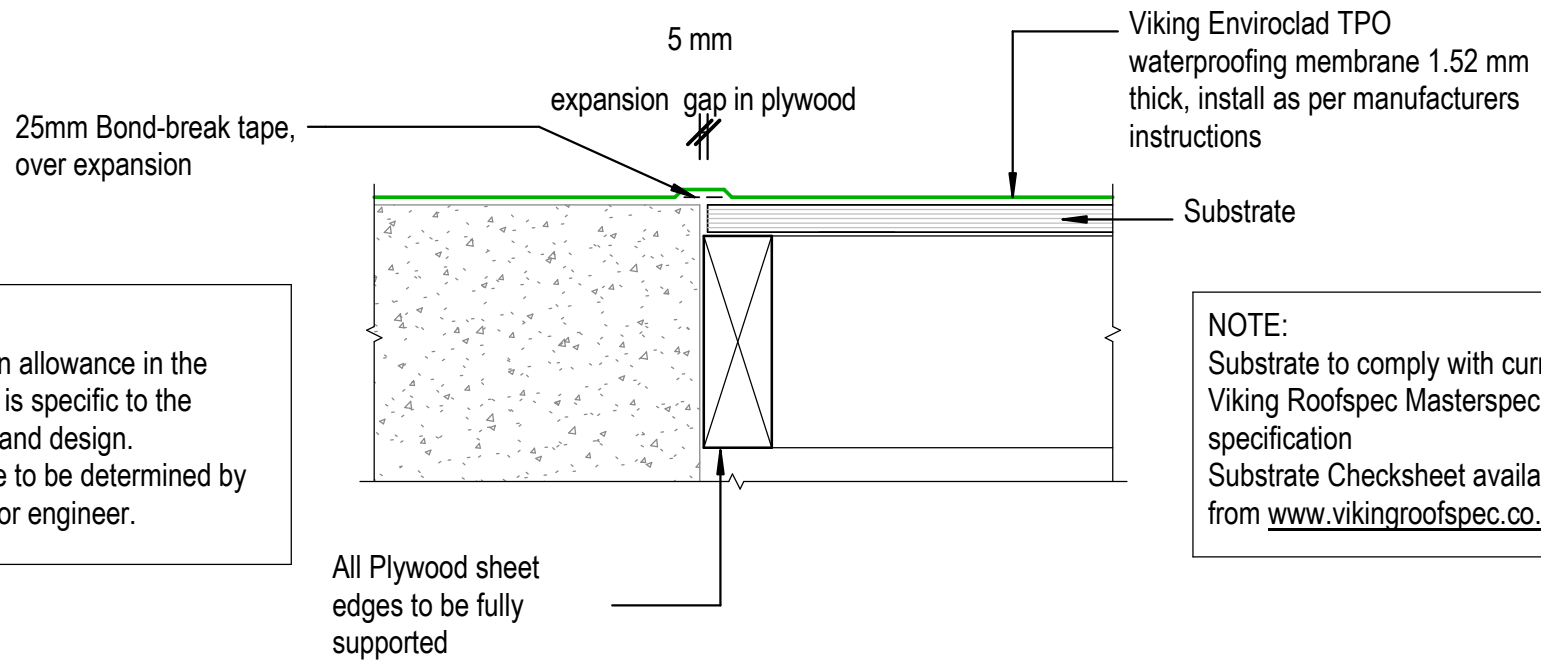


DRAWING TITLE
Viking Enviroclad Intersection_Substrate Expansion

NOTES:
* Angle fillets are not required at upstands for Enviroclad * All fixings, cladding and structure are indicative only unless notated

CodeMark
Cert # GM-CMNZ30058 Cert # BV-CMNZ70176 Enviroclad systems are CodeMarked

DRAWING INFORMATION ONLY			
Scale:	Date:	Drawn:	Viking
Not to Scale	23/11/2020		
Detail Ref:			VIK_ENV_062_INTSSUBS



NOTE:
Expansion allowance in the substrate is specific to the structure and design. These are to be determined by designer or engineer.

NOTE:
Substrate to comply with current Viking Roofspec Masterspec specification
Substrate Checksheet available from www.vikingroofspec.co.nz

DRAWING TITLE

Viking Enviroclad
Intersection_Substrate Expansion Ply to Concrete

NOTES:

- * Angle fillets are not required at upstands for Enviroclad
- * All fixings, cladding and structure are indicative only unless notated

CodeMark

Cert # GM-CMNZ30058
Cert # BV-CMNZ70176
Enviroclad systems are CodeMarked

DRAWING

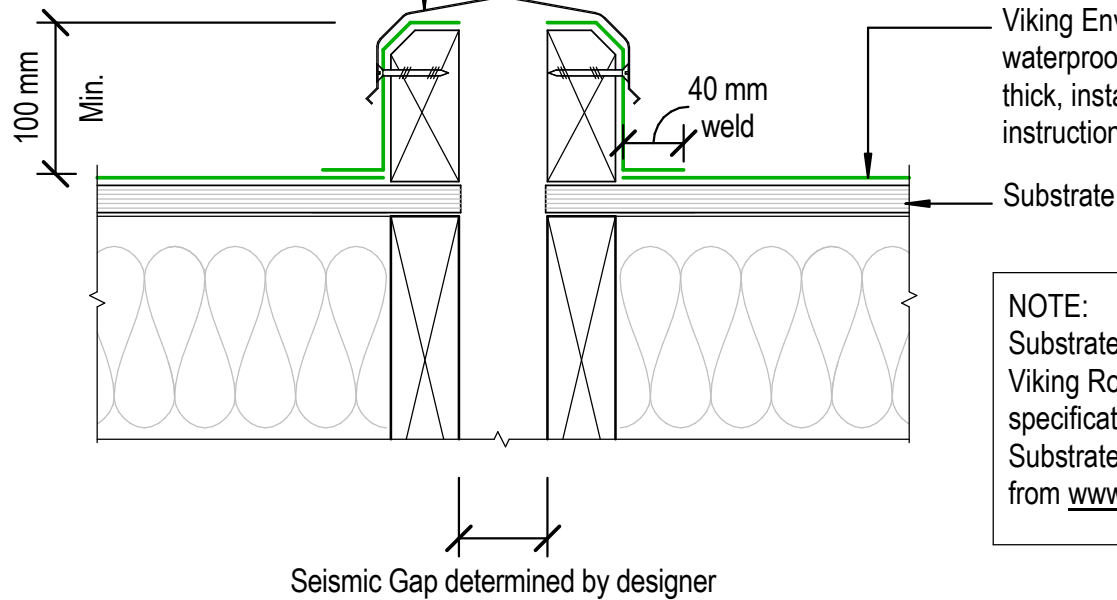
INFORMATION ONLY

Scale:	Date:	Drawn:	Viking
Not to Scale	23/11/2020		
Detail Ref:			VIK_ENV_062A_INTSSUBS



Metal Cap Flashing to allow for movement specific site details by Designer

Specific Seismic Joint by Designer



Viking Enviroclad TPO waterproofing membrane 1.52 mm thick, install as per manufacturers instructions

NOTE:
 Substrate to comply with current Viking Roofspec Masterspec specification
 Substrate Checksheet available from www.vikingroofspec.co.nz

DRAWING TITLE

Viking Enviroclad
 Intersection_Seismic Gap Generic

NOTES:

- * Angle fillets are not required at upstands for Enviroclad
- * All fixings, cladding and structure are indicative only unless notated

CodeMark

Cert # GM-CMNZ30058
 Cert # BV-CMNZ70176
 Enviroclad systems are CodeMarked

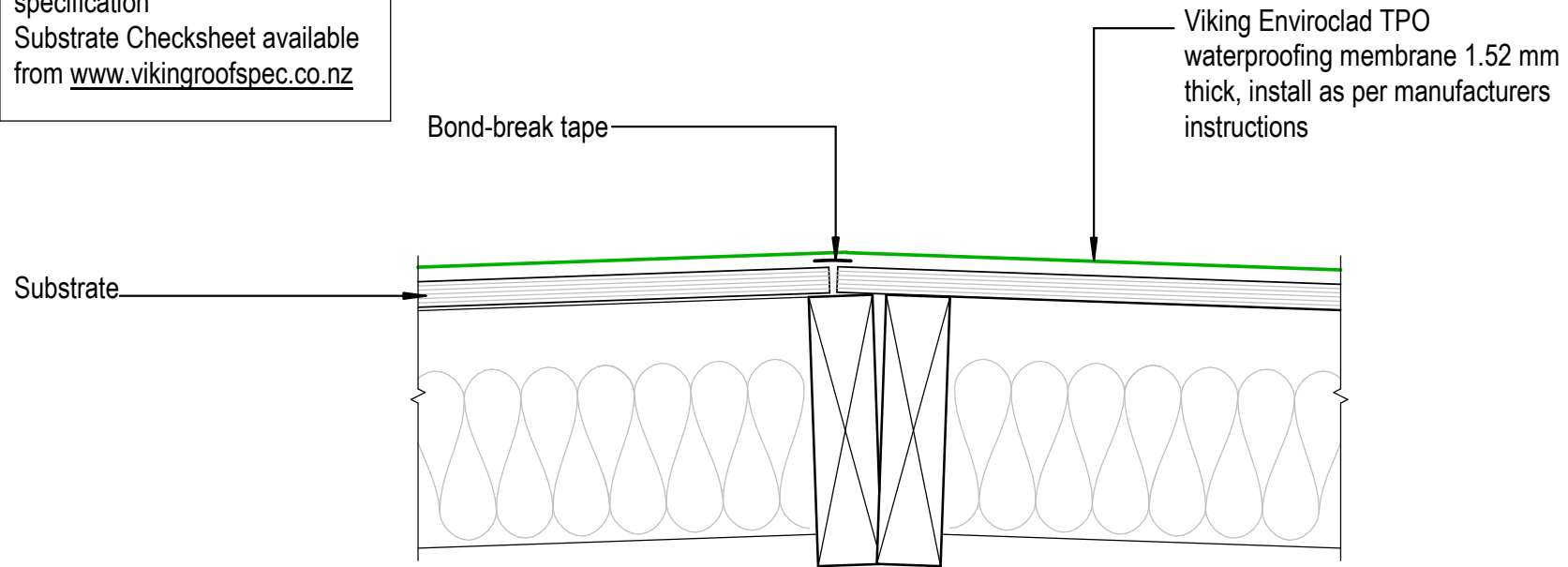
DRAWING

INFORMATION ONLY

Scale:	Date:	Drawn:	Viking
Not to Scale	23/11/2020		

Detail Ref: **VIK_ENV_063_INTSSEIS**

NOTE:
 Substrate to comply with current
 Viking Roofspec Masterspec
 specification
 Substrate Checksheet available
 from www.vikingroofspec.co.nz



DRAWING TITLE

Viking Enviroclad
 Intersection_Ridge / Hip

NOTES:

- * Angle fillets are not required at upstands for Enviroclad
- * All fixings, cladding and structure are indicative only unless notated

CodeMark >>>

Cert # GM-CMNZ30058
 Cert # BV-CMNZ70176
 Enviroclad systems are CodeMarked

DRAWING

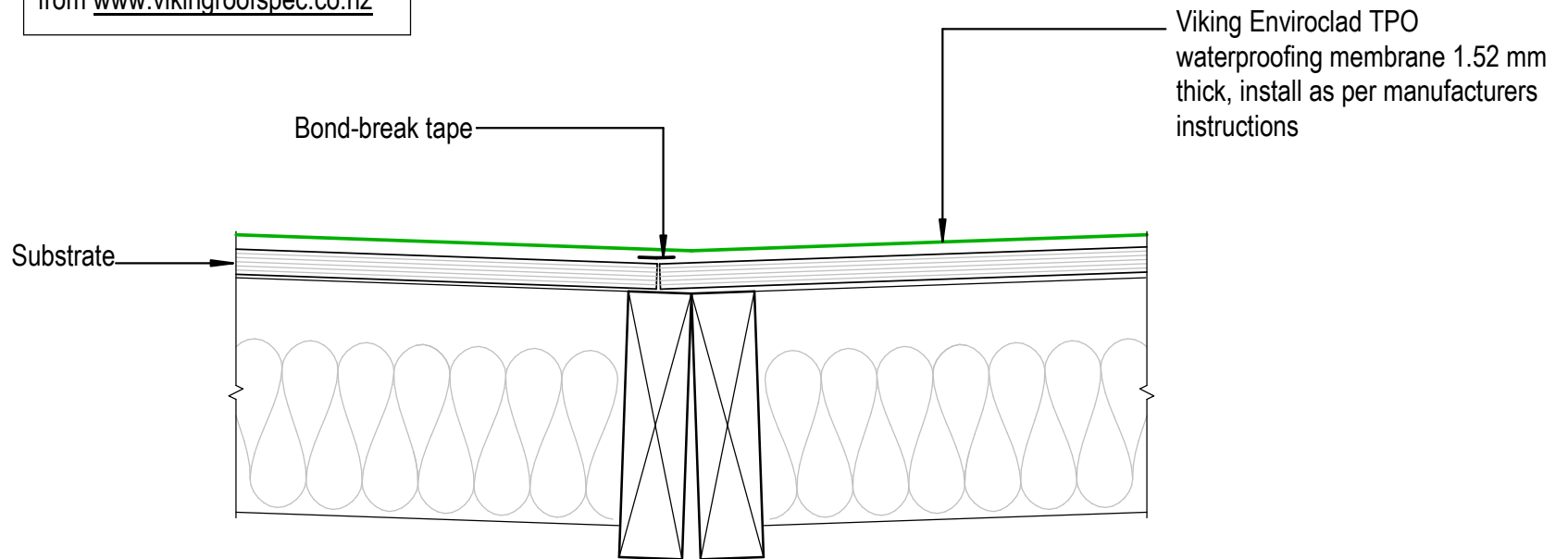
INFORMATION ONLY

Scale:	Date:	Drawn:	Viking
Not to Scale	23/11/2020		

Detail Ref: **VIK_ENV_064_INTSRIDG**

Viking Roofspec
 Taking care of detail

NOTE:
 Substrate to comply with current
 Viking Roofspec Masterspec
 specification
 Substrate Checksheet available
 from www.vikingroofspec.co.nz



DRAWING TITLE

Viking Enviroclad
 Intersection_Valley

NOTES:

- * Angle fillets are not required at upstands for Enviroclad
- * All fixings, cladding and structure are indicative only unless notated

CodeMark

Cert # GM-CMNZ30058
 Cert # BV-CMNZ70176
 Enviroclad systems are CodeMarked

DRAWING

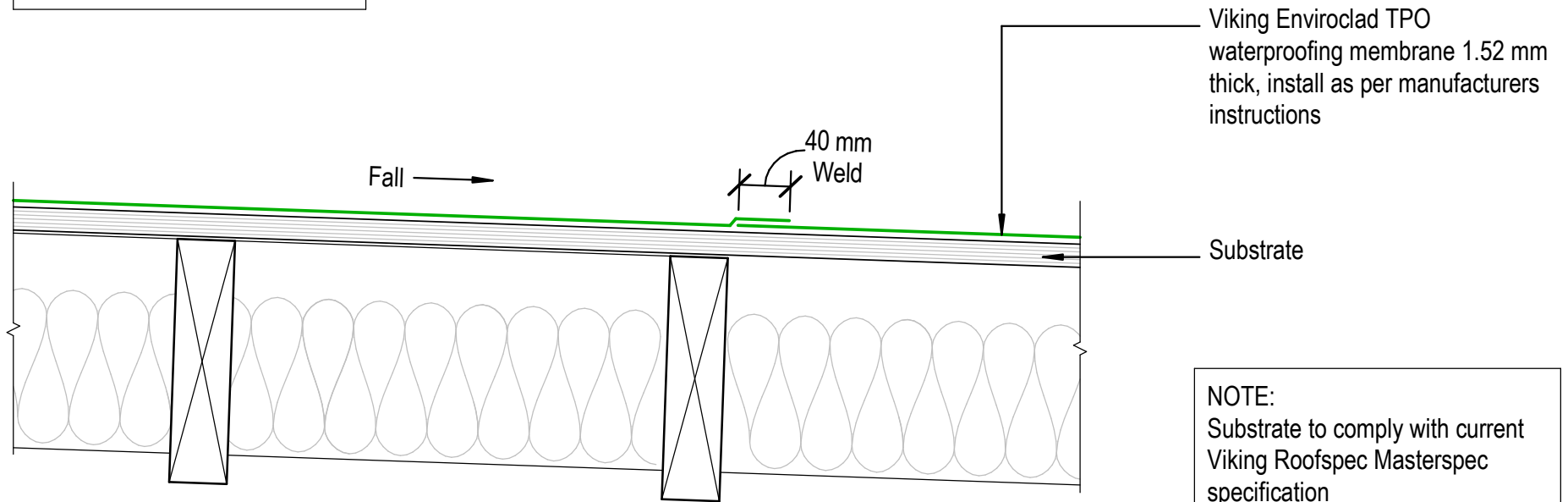
INFORMATION ONLY

Scale:	Date:	Drawn:	Viking
Not to Scale	23/11/2020		

Detail Ref: **VIK_ENV_065_INTSVALL**

Viking Roofspec
 Taking care of detail

NOTE:
Sheet laps may also run in
the direction of fall



NOTE:
Substrate to comply with current
Viking Roofspec Masterspec
specification
Substrate Checksheet available
from www.vikingroofspec.co.nz

DRAWING TITLE

Viking Enviroclad
Intersection_Sheet Lap

NOTES:

- * Angle fillets are not required at upstands for Enviroclad
- * All fixings, cladding and structure are indicative only unless notated

CodeMark

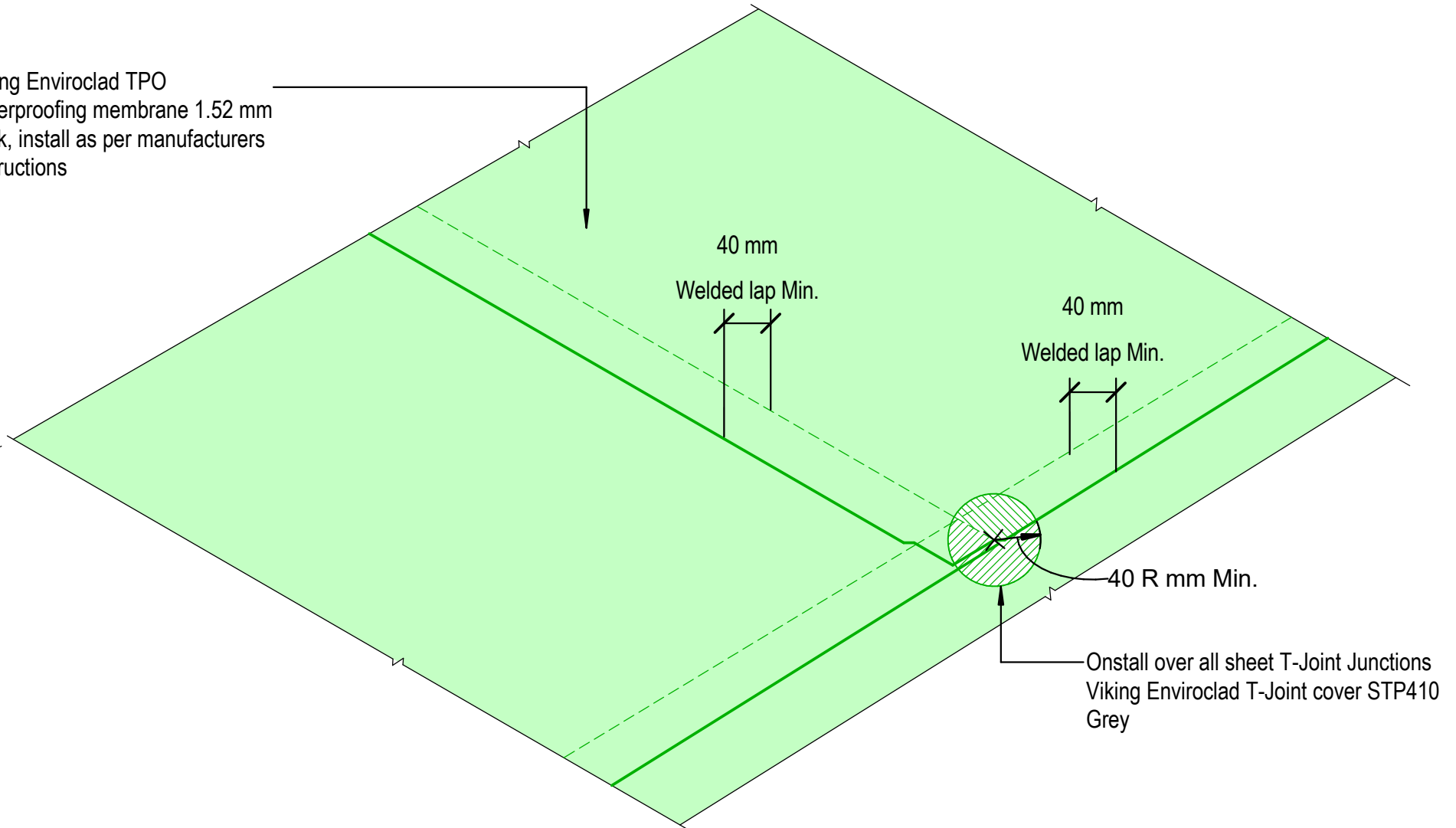
Cert # GM-CMNZ30058
Cert # BV-CMNZ70176
Enviroclad systems are CodeMarked

DRAWING
INFORMATION ONLY

Scale:	Date:	Drawn:	Viking
Not to Scale	23/11/2020		

Detail Ref: **VIK_ENV_066_INTSSHEL**

Viking Enviroclad TPO
waterproofing membrane 1.52 mm
thick, install as per manufacturers
instructions



DRAWING TITLE

Viking Enviroclad
Intersection_Sheet T-Joint

NOTES:

- * Angle fillets are not required at upstands for Enviroclad
- * All fixings, cladding and structure are indicative only unless notated

CodeMark

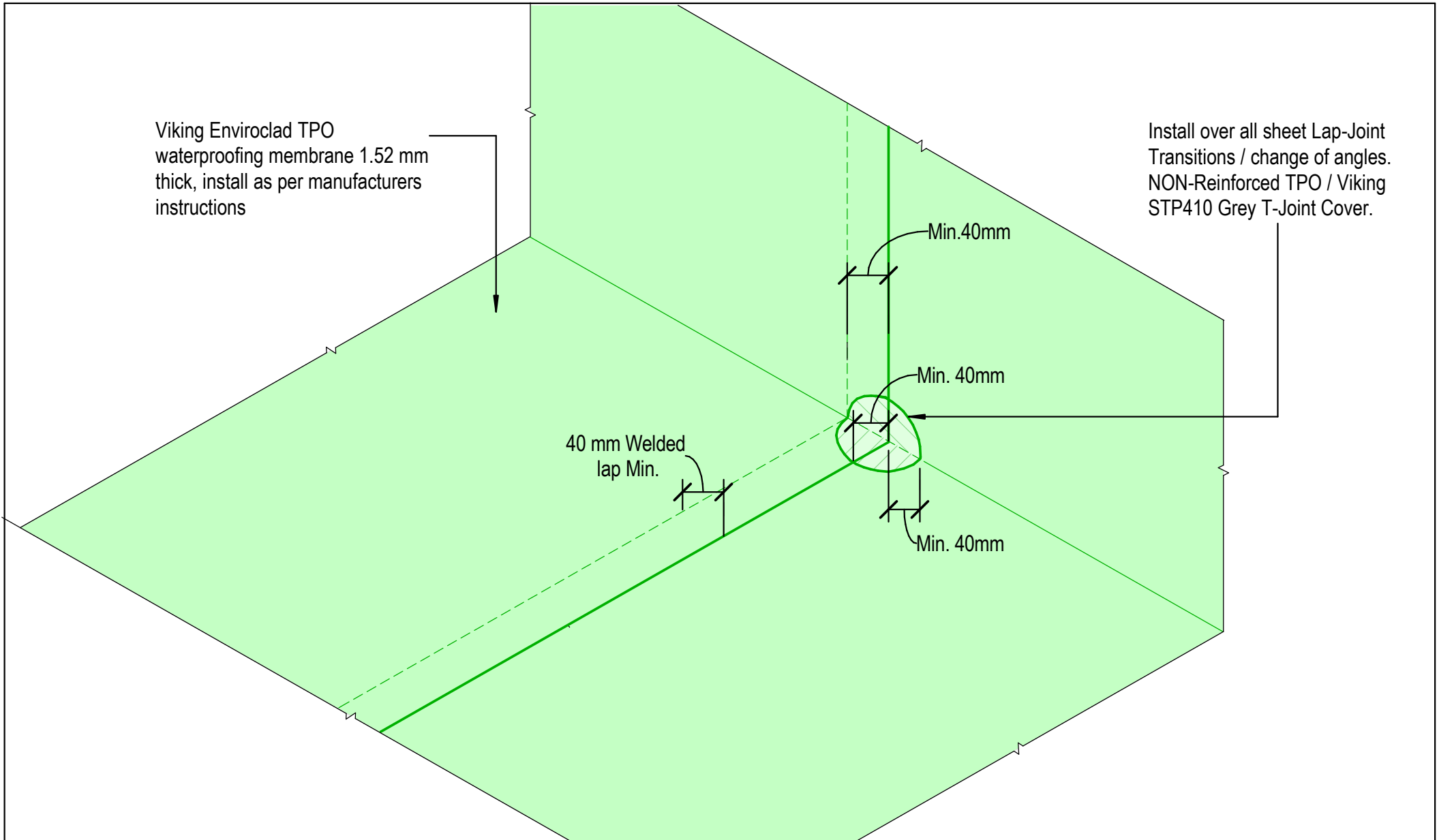
Cert # GM-CMNZ30058
Cert # BV-CMNZ70176
Enviroclad systems are CodeMarked

DRAWING

INFORMATION ONLY

Scale:	Date:	Drawn:	Viking
Not to Scale	23/11/2020		

Detail Ref: **VIK_ENV_067_INTSSHTT**



DRAWING TITLE

Viking Enviroclad
Intersection_Lap Transition

NOTES:

- * Angle fillets are not required at upstands for Enviroclad
- * All fixings, cladding and structure are indicative only unless notated

CodeMark

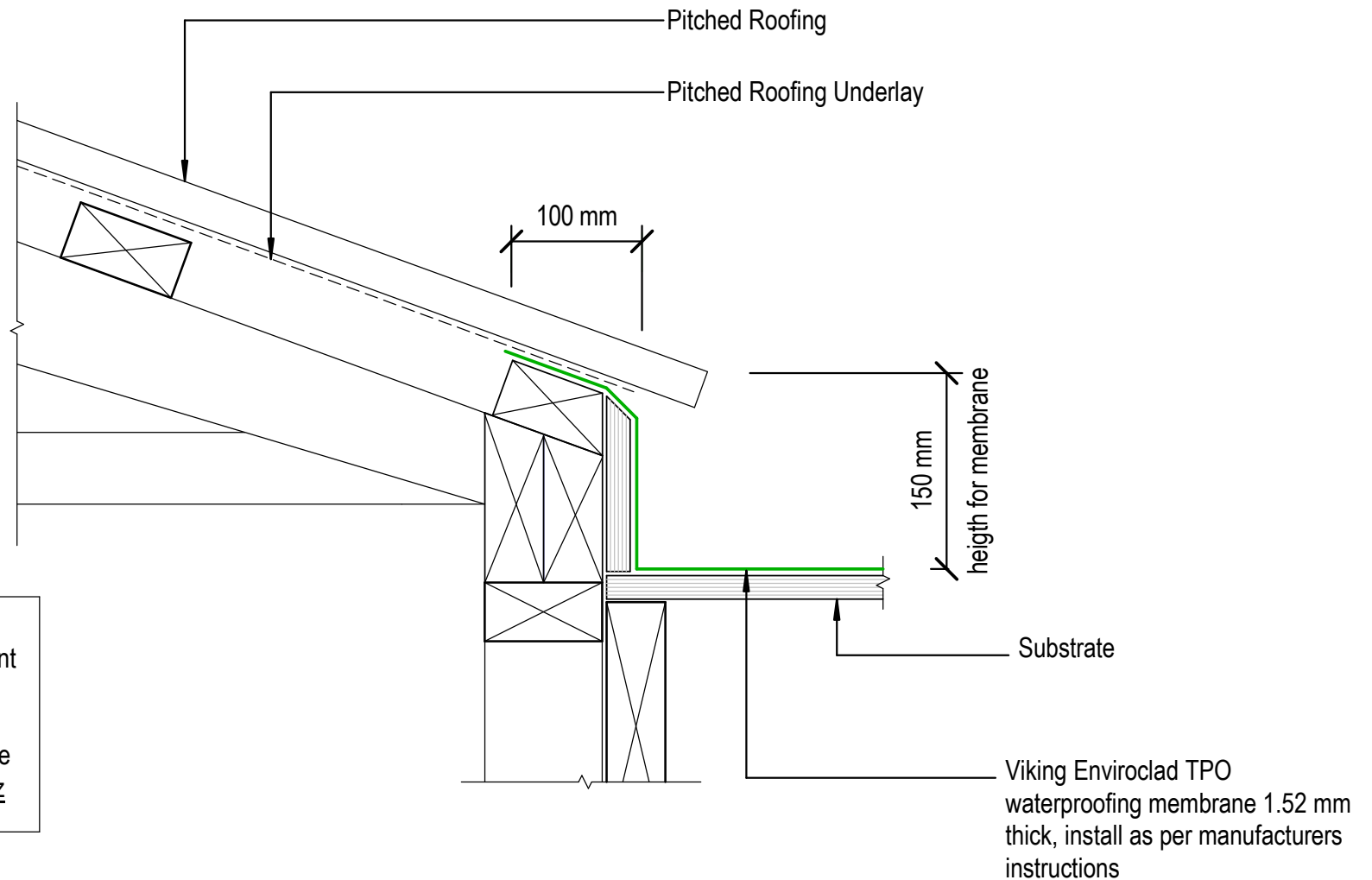
Cert # GM-CMNZ30058
Cert # BV-CMNZ70176
Enviroclad systems are CodeMarked

DRAWING

INFORMATION ONLY

Scale:	Date:	Drawn:	Viking
Not to Scale	23/11/2020		

Detail Ref: **VIK_ENV_068_INTSLAPT**



DRAWING TITLE

Viking Enviroclad
 Roof Junction_Upstand to Pitched Roofing

NOTES:

- * Angle fillets are not required at upstands for Enviroclad
- * All fixings, cladding and structure are indicative only unless notated

CodeMark

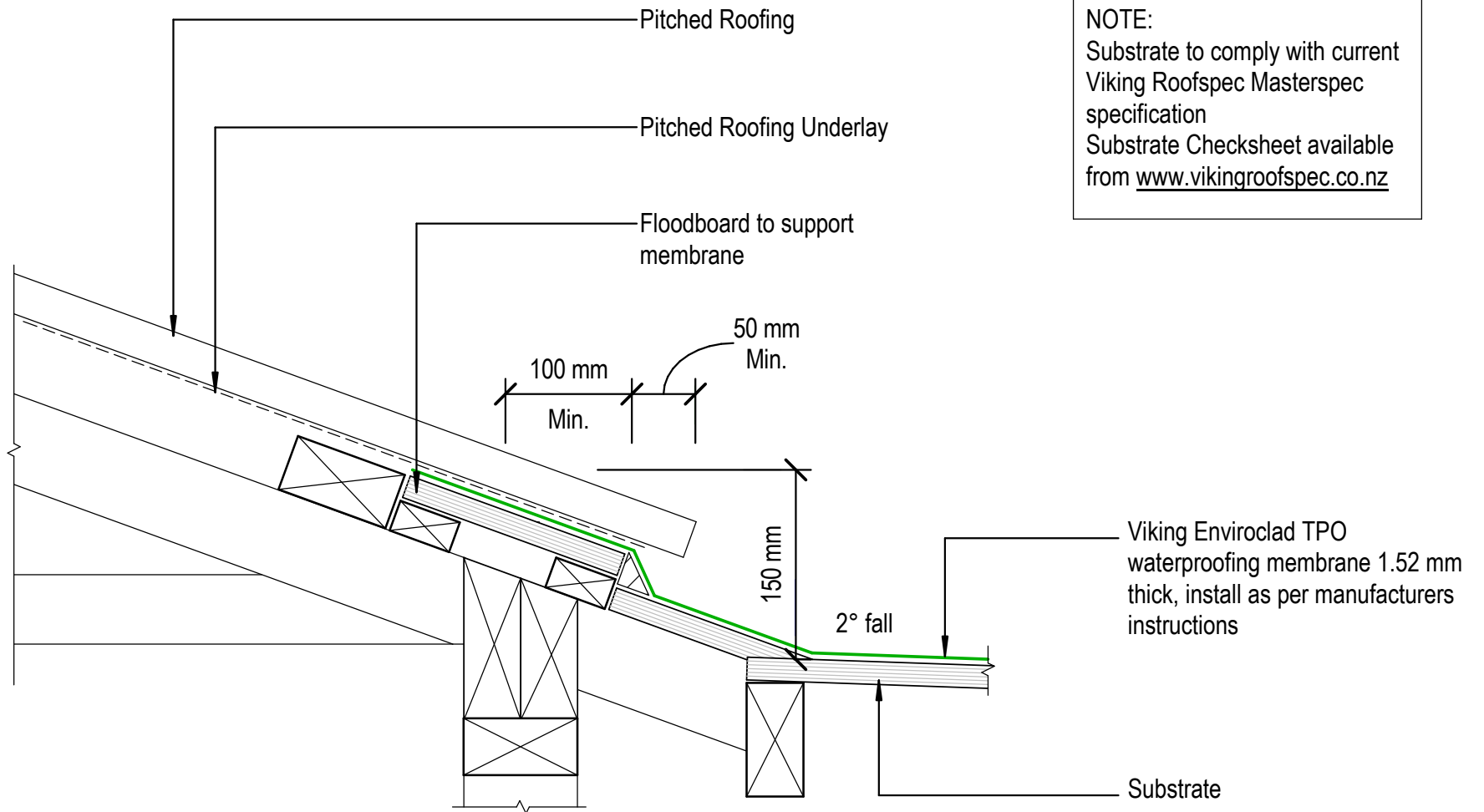
Cert # GM-CMNZ30058
 Cert # BV-CMNZ70176
 Enviroclad systems are CodeMarked

DRAWING

INFORMATION ONLY

Scale:	Date:	Drawn:	Viking
Not to Scale	23/11/2020		

Detail Ref: **VIK_ENV_070_RJUNUPST**



NOTE:
 Substrate to comply with current Viking Roofspec Masterspec specification
 Substrate Checksheet available from www.vikingroofspec.co.nz

DRAWING TITLE

Viking Enviroclad
 Roof Junction_Membrane to Pitched Roofing Longrun

NOTES:

- * Angle fillets are not required at upstands for Enviroclad
- * All fixings, cladding and structure are indicative only unless notated

CodeMark

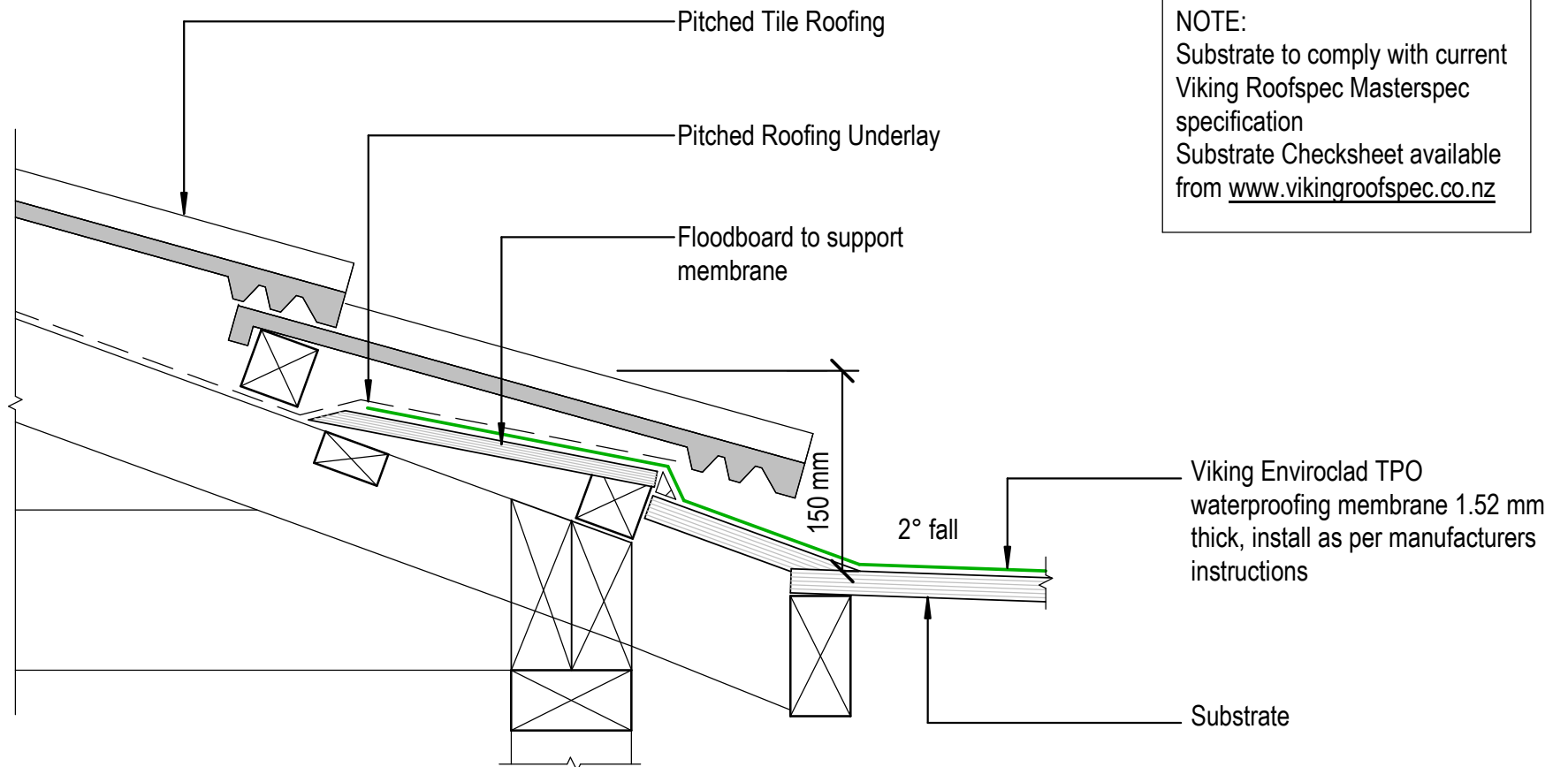
Cert # GM-CMNZ30058
 Cert # BV-CMNZ70176
 Enviroclad systems are CodeMarked

DRAWING

INFORMATION ONLY

Scale:	Date:	Drawn:	Viking
Not to Scale	23/11/2020		
Detail Ref:			VIK_ENV_071_RJUNMETL





NOTE:
 Substrate to comply with current Viking Roofspec Masterspec specification
 Substrate Checksheet available from www.vikingroofspec.co.nz

DRAWING TITLE

Viking Enviroclad
 Roof Junction_Membrane to Pitched Roofing Tiles

NOTES:

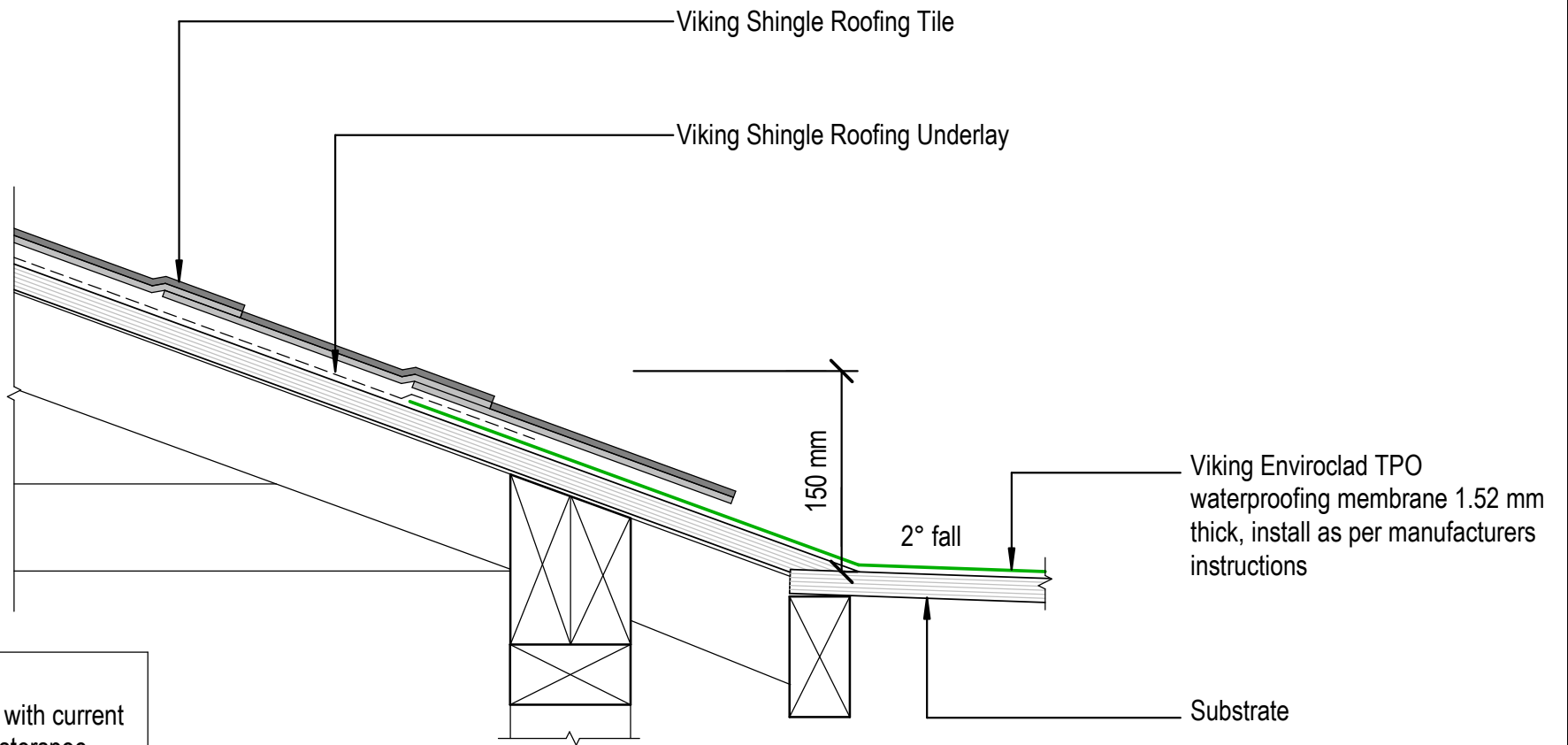
- * Angle fillets are not required at upstands for Enviroclad
- * All fixings, cladding and structure are indicative only unless notated

CodeMark

Cert # GM-CMNZ30058
 Cert # BV-CMNZ70176
 Enviroclad systems are CodeMarked

DRAWING INFORMATION ONLY

Scale:	Date:	Drawn:	Viking
Not to Scale	23/11/2020		
Detail Ref:			VIK_ENV_071A_RJUNTILE



NOTE:
 Substrate to comply with current Viking Roofspec Masterspec specification
 Substrate Checksheet available from www.vikingroofspec.co.nz

DRAWING TITLE

Viking Enviroclad
 Roof Junction_Membrane to Pitched Roofing Shingles

NOTES:

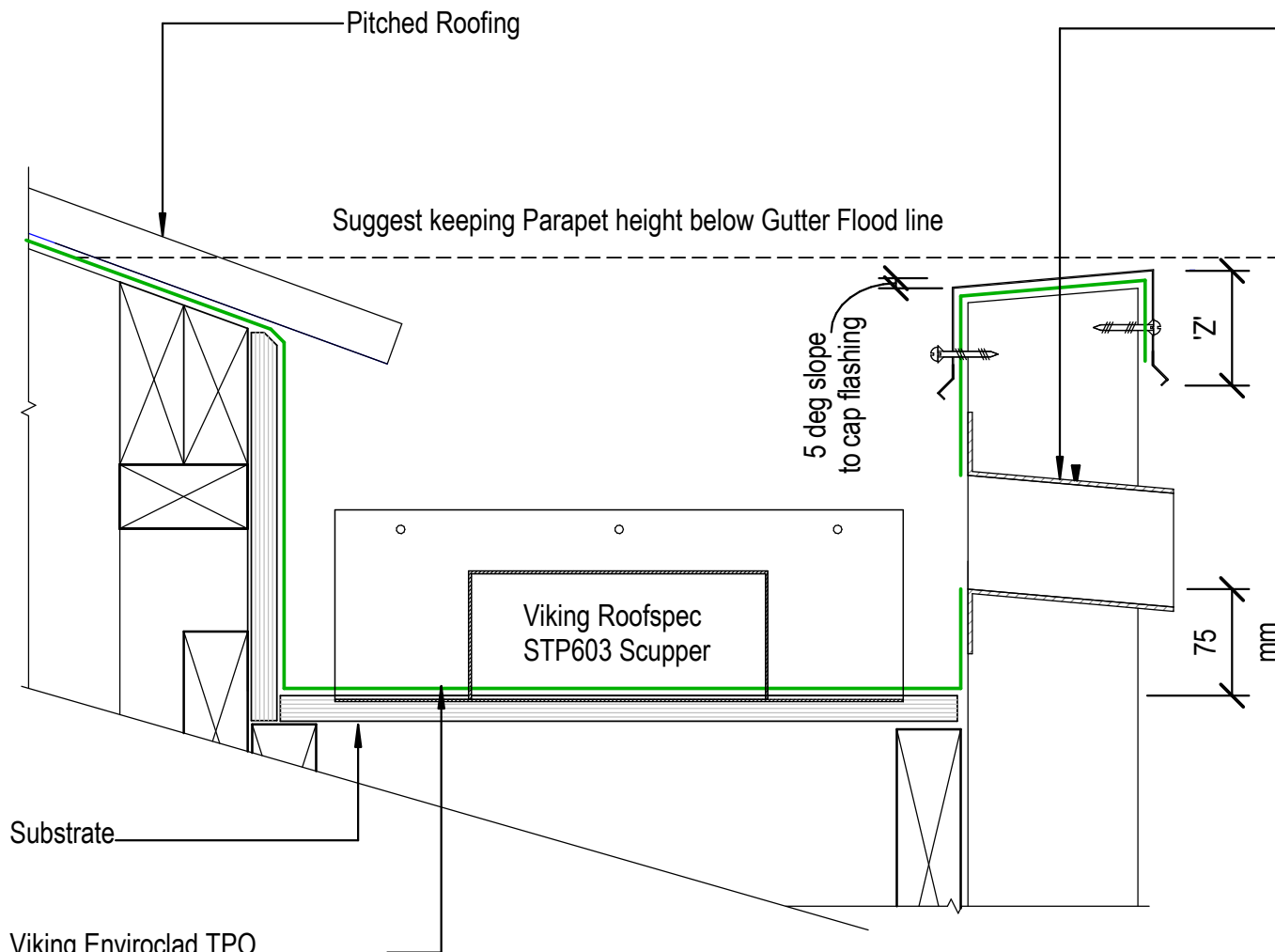
- * Angle fillets are not required at upstands for Enviroclad
- * All fixings, cladding and structure are indicative only unless notated

CodeMark >>>

Cert # GM-CMNZ30058
 Cert # BV-CMNZ70176
 Enviroclad systems are CodeMarked

DRAWING INFORMATION ONLY

Scale:	Date:	Drawn:	Viking
Not to Scale	23/11/2020		
Detail Ref:			VIK_ENV_071B_RJUNSHIN



Viking 200x80mm TPO overflow scupper STP604, installed as per manufacturers instructions.

'Z' = variable according to wind zoning, please refer to table 7 E2/AS1

Gutters must be constructed to minimum of E2/AS1 Fig 52. Viking recommends 150mm vertical height also allowing installation of scupper outlets and overflows.

It is advisable to continue the membrane over the top of the parapet and finish over the front face of exterior cladding

The top of the parapet substrate, must be angled 5° to allow water to run off the top of the parapet
 *If no metal cap is to be used, then a 10° slope to the top of parapet is required. Refer E2/AS1 6.5(a)

All fixings for the cap flashing, must be through the side of the flashing.

Viking Enviroclad TPO waterproofing membrane 1.52 mm thick, install as per manufacturers instructions

NOTE:
Refer Scupper Detail ENV_041

NOTE:
Substrate to comply with current Viking Roofspec Masterspec specification
 Substrate Checksheet available from www.vikingroofspec.co.nz

DRAWING TITLE

Viking Enviroclad
Roof Junction_Metal Roof to Internal Gutter

NOTES:

- * Angle fillets are not required at upstands for Enviroclad
- * All fixings, cladding and structure are indicative only unless notated



Cert # GM-CMNZ30058
 Cert # BV-CMNZ70176
 Enviroclad systems are CodeMarked

DRAWING

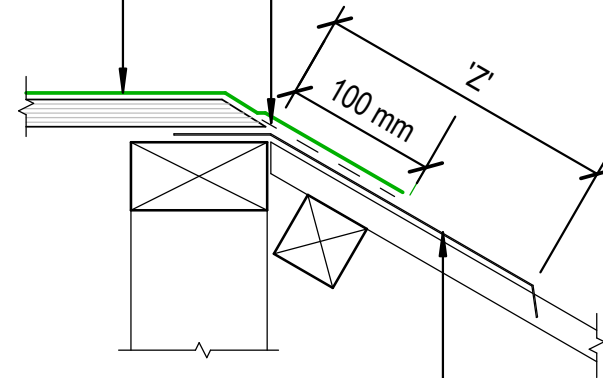
INFORMATION ONLY

Scale:	Date:	Drawn:	Viking
Not to Scale	23/11/2020		
Detail Ref:			VIK_ENV_072_RJUNGUTI



SMT076V Lape Tape

Viking Enviroclad TPO
waterproofing membrane 1.52 mm
thick, install as per manufacturers
instructions



NOTE:
'Z' = variable according to wind
zoning, please refer to table 7 E2/AS1

NOTE:
Substrate to comply with current
Viking Roofspec Masterspec
specification
Substrate Checksheet available from
www.vikingroofspec.co.nz

Metal Flashing refer E2
paragraph 4.0

DRAWING TITLE

Viking Enviroclad
Roof Junction_Mansard Verge

NOTES:

- * Angle fillets are not required at upstands for Enviroclad
- * All fixings, cladding and structure are indicative only unless notated

CodeMark

Cert # GM-CMNZ30058
Cert # BV-CMNZ70176
Enviroclad systems are CodeMarked

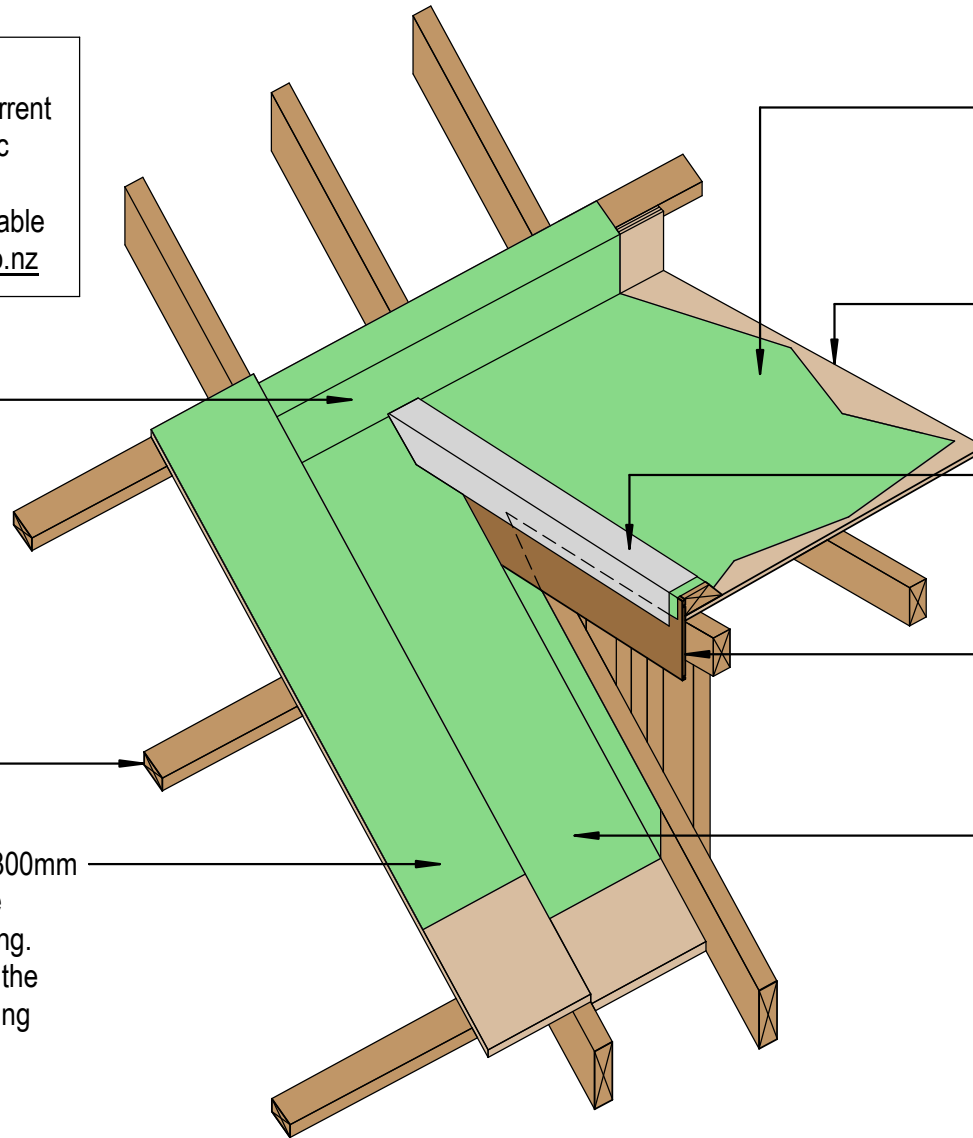
DRAWING

INFORMATION ONLY

Scale:	Date:	Drawn:	Viking
Not to Scale	23/11/2020		
Detail Ref:	VIK_ENV_073_RJUNMANV		

Viking Roofspec
Taking care of detail

NOTE:
 Substrate to comply with current
 Viking Roofspec Masterspec
 specification
 Substrate Checksheet available
 from www.vikingroofspec.co.nz



Viking Enviroclad TPO
 waterproofing membrane 1.52
 mm thick, install as per
 manufacturers instructions.

Substrate

Refer detail ENV_074A
 Install membrane before Barge-board
 is installed, then addition membrane to
 finish over the Barge-board and / or
 install a metal cap.

Barge board

Viking Enviroclad membrane into
 gutter, return membrane up wall
 and behind cladding 150mm Min.
 upstand, continue membrane
 behind barge board

Refer detail ENV_070

Purlin over trusses

Continue membrane onto a 300mm
 wide flood-board down to the
 bottom drip-edge and Spouting.
 Form a hemmed edge along the
 membrane, under metal roofing

DRAWING TITLE

Viking Enviroclad
 Roof Junction_Dormer ISO

NOTES:

* Angle fillets are not required at
 upstands for Enviroclad
 * All fixings, cladding and structure are
 indicative only unless notated

CodeMark

Cert # GM-CMNZ30058

Cert # BV-CMNZ70176

Enviroclad systems are CodeMarked

DRAWING

INFORMATION ONLY

Scale: Not to Scale Date: 23/11/2020 Drawn: Viking

Detail Ref: **VIK_ENV_074_RJUNDORM**

Viking Roofspec
 Taking care of detail

NOTE:
 Substrate to comply with current Viking Roofspec Masterspec specification
 Substrate Checksheet available from www.vikingroofspec.co.nz

Viking Enviroclad TPO waterproofing membrane 1.52 mm thick, install as per manufacturers instructions

Refer to Table 7

E2/AS1

Metal Cap with saddle flashing from under profiled roofing

Substrate

Solid blocking

300 mm flood-board
 12mm plywood

300 mm
 17mm plywood

35 mm

150 mm
 min. upstand

DRAWING TITLE

Viking Enviroclad
 Roof Junction_Dormer Gutter

NOTES:

- * Angle fillets are not required at upstands for Enviroclad
- * All fixings, cladding and structure are indicative only unless notated

CodeMark

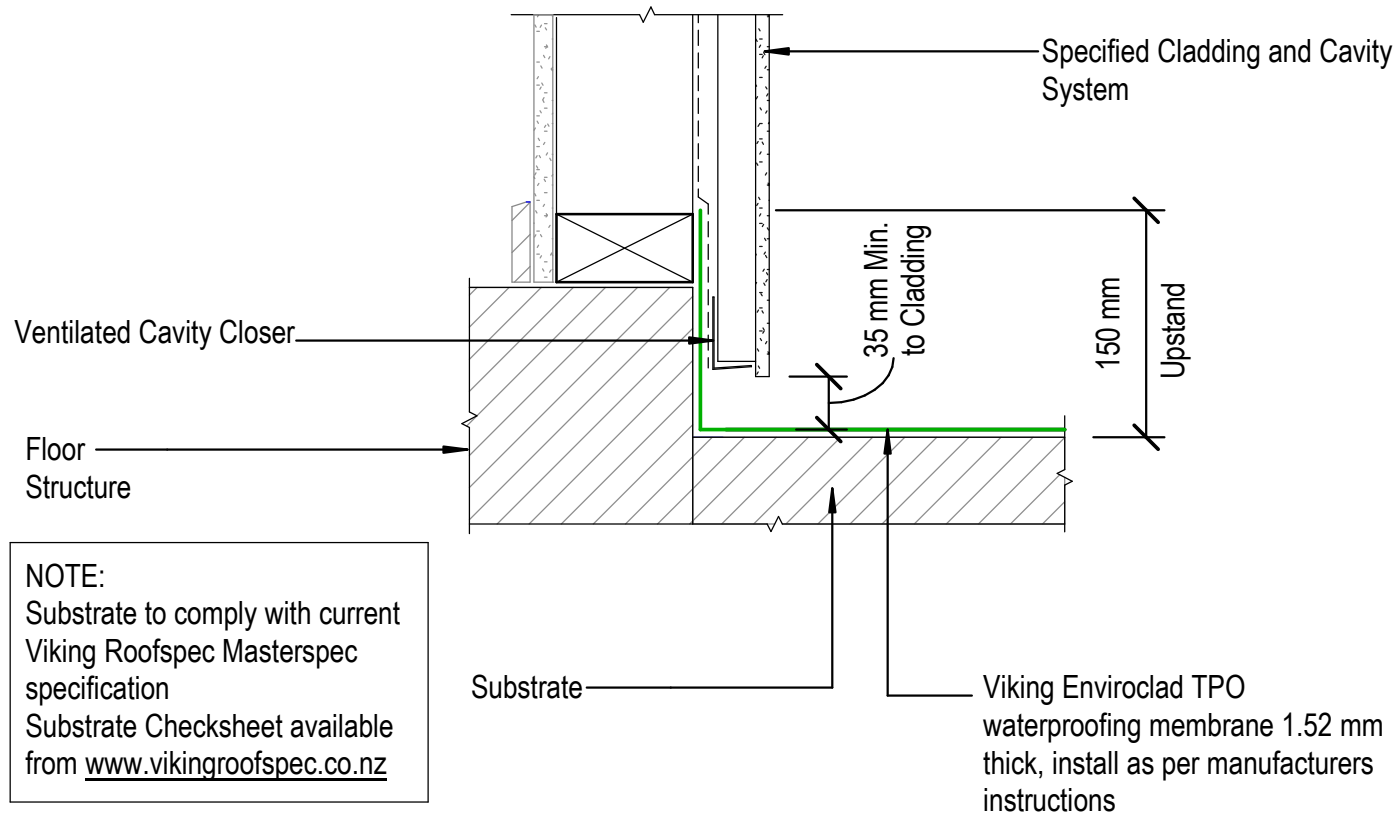
Cert # GM-CMNZ30058
 Cert # BV-CMNZ70176
 Enviroclad systems are CodeMarked

DRAWING

INFORMATION ONLY

Scale:	Date:	Drawn:	Viking
Not to Scale	23/11/2020		
Detail Ref. VIK_ENV_074A_RJUNDORM			





DRAWING TITLE

Viking Enviroclad
 Apron_Upstand behind cladding

NOTES:

- * Angle fillets are not required at upstands for Enviroclad
- * All fixings, cladding and structure are indicative only unless notated

CodeMark

Cert # GM-CMNZ30058
 Cert # BV-CMNZ70176
 Enviroclad systems are CodeMarked

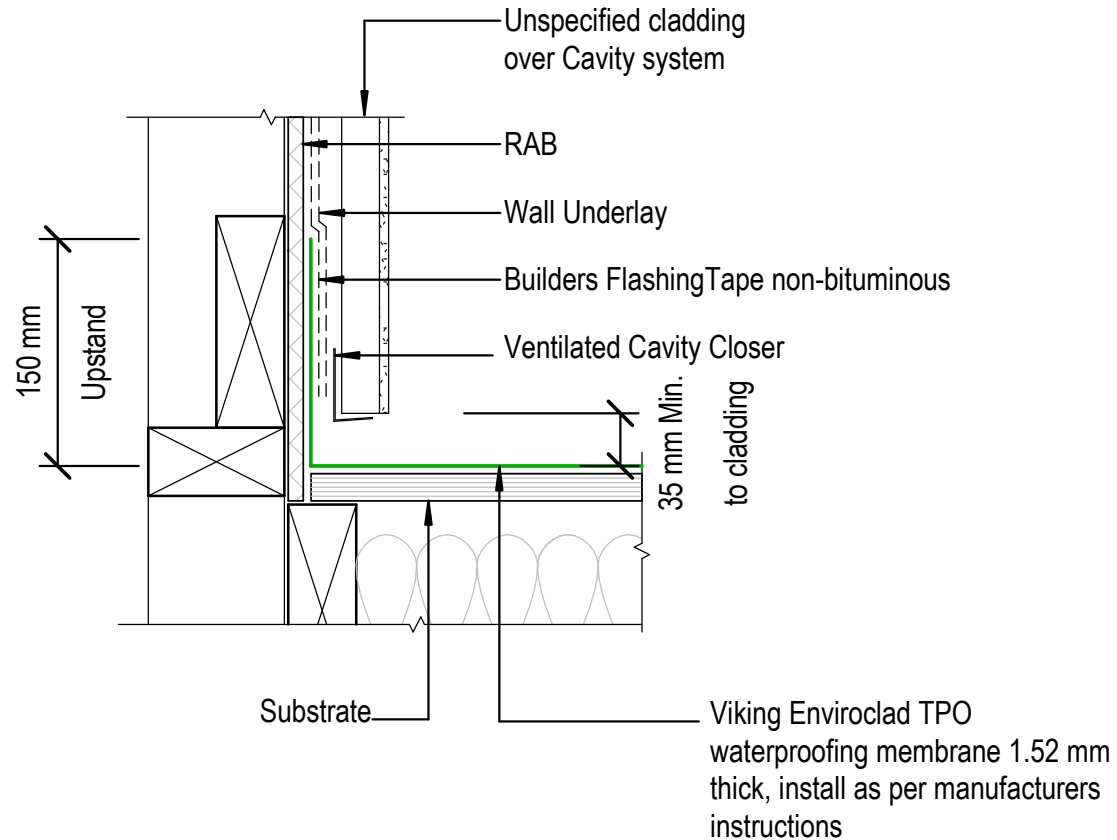
DRAWING

INFORMATION ONLY

Scale:	Date:	Drawn:	Viking
Not to Scale	23/11/2020		

Detail Ref: **VIK_ENV_080_APRNUPST**

NOTE:
 Substrate to comply with current
 Viking Roofspec Masterspec
 specification
 Substrate Checksheet available
 from www.vikingroofspec.co.nz



DRAWING TITLE

Viking Enviroclad
 Apron_Upstand to RAB behind cladding

NOTES:

* Angle fillets are not required at upstands for Enviroclad
 * All fixings, cladding and structure are indicative only unless notated

CodeMark

Cert # GM-CMNZ30058
 Cert # BV-CMNZ70176
 Enviroclad systems are CodeMarked

DRAWING

INFORMATION ONLY

Scale:	Date:	Drawn:	Viking
Not to Scale	23/11/2020		
Detail Ref: VIK_ENV_080A_APRNURAB			

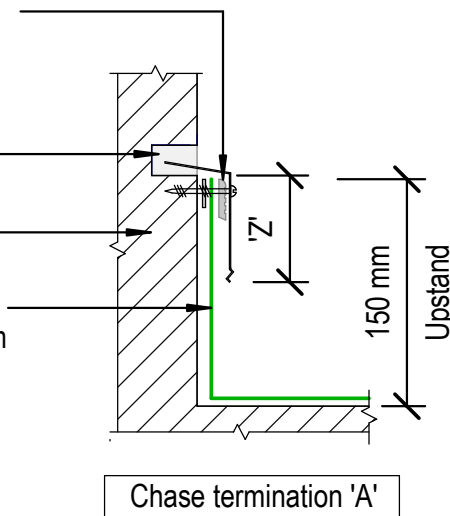
Viking Roofspec
 Taking care of detail

Viking Fixing Bar with STP870
water cut-off mastic sealant
between membrane and wall for a
compression seal

MS Sealant

Structure

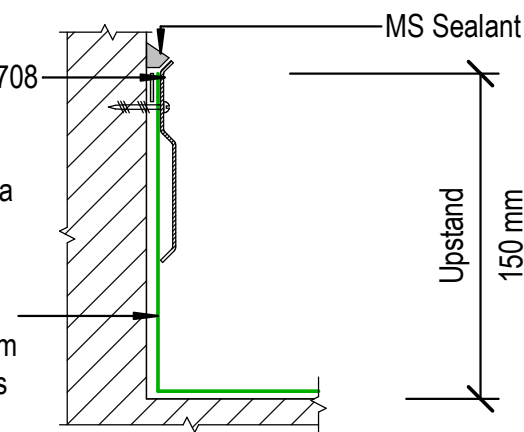
Viking Enviroclad TPO
waterproofing membrane 1.52 mm
thick, install as per manufacturers
instructions



Chase termination 'A'

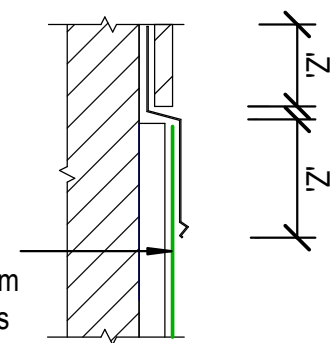
Viking Termination Flashing IMT708
with STP870
water cut-off mastic sealant
between membrane and wall for a
compression seal

Viking Enviroclad TPO
waterproofing membrane 1.52 mm
thick, install as per manufacturers
instructions



Bar termination 'B' recommended only
where a chase detail is not possible

Viking Enviroclad TPO
waterproofing membrane 1.52 mm
thick, install as per manufacturers
instructions



Apron Flashing
termination 'C'

NOTES:

'Z' = Variable cover according to wind zone refer table 7 E2/AS1
150mm membrane upstand height where-ever possible

NOTES:

Substrate to comply with current Viking Roofspec Masterspec specification
Substrate Checksheet available from www.vikingroofspec.co.nz

DRAWING TITLE

Viking Enviroclad
Apron_Upstand terminations without cladding

NOTES:

* Angle fillets are not required at
upstands for Enviroclad
* All fixings, cladding and structure are
indicative only unless notated

CodeMark

Cert # GM-CMNZ30058
Cert # BV-CMNZ70176
Enviroclad systems are CodeMarked

DRAWING

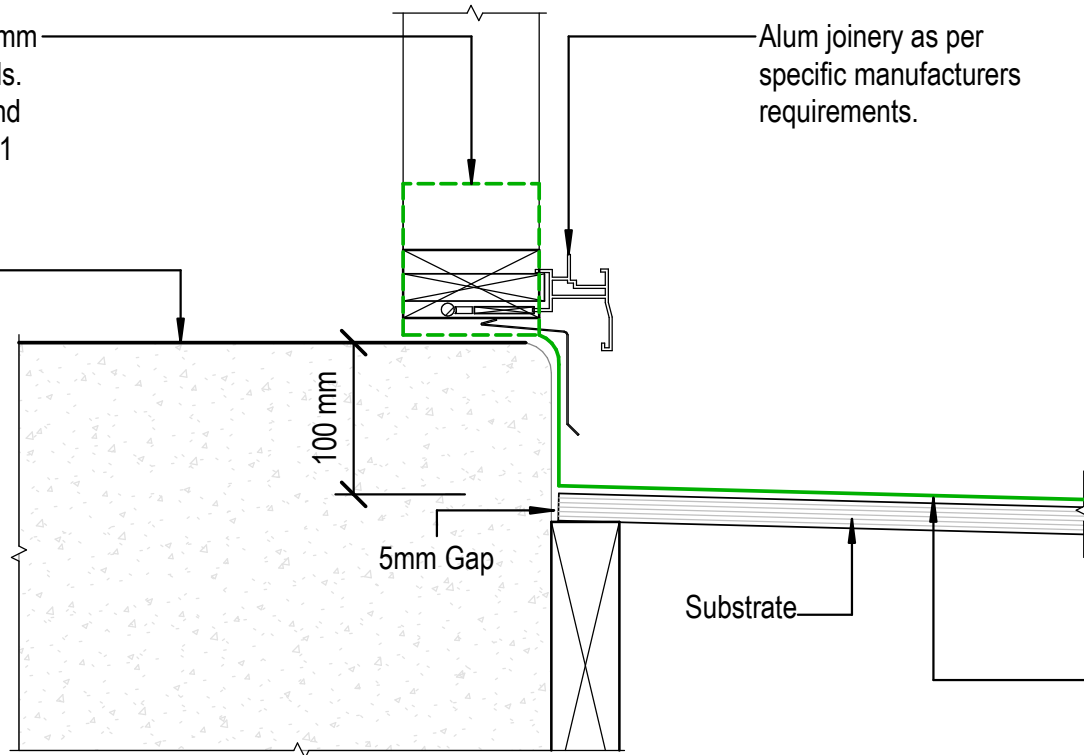
INFORMATION ONLY

Scale:	Date:	Drawn:	Viking
Not to Scale	23/11/2020		

Detail Ref: **VIK_ENV_081_APRNUTER**

Finish Membrane 100mm
min. up framing at ends.
Width to suit joinery and
cladding. Refer E2/AS1
FIG62(b)(d)

Finished Floor Level



Alum joinery as per
specific manufacturers
requirements.

NOTE:
Substrate to comply with current
Viking Roofspec Masterspec
specification
Substrate Checksheet available
from www.vikingroofspec.co.nz

Viking Enviroclad TPO
waterproofing membrane 1.52 mm
thick, install as per manufacturers
instructions

DRAWING TITLE

Viking Enviroclad
Threshold_Door

NOTES:

- * Angle fillets are not required at upstands for Enviroclad
- * All fixings, cladding and structure are indicative only unless notated

CodeMark

Cert # GM-CMNZ30058
Cert # BV-CMNZ70176
Enviroclad systems are CodeMarked

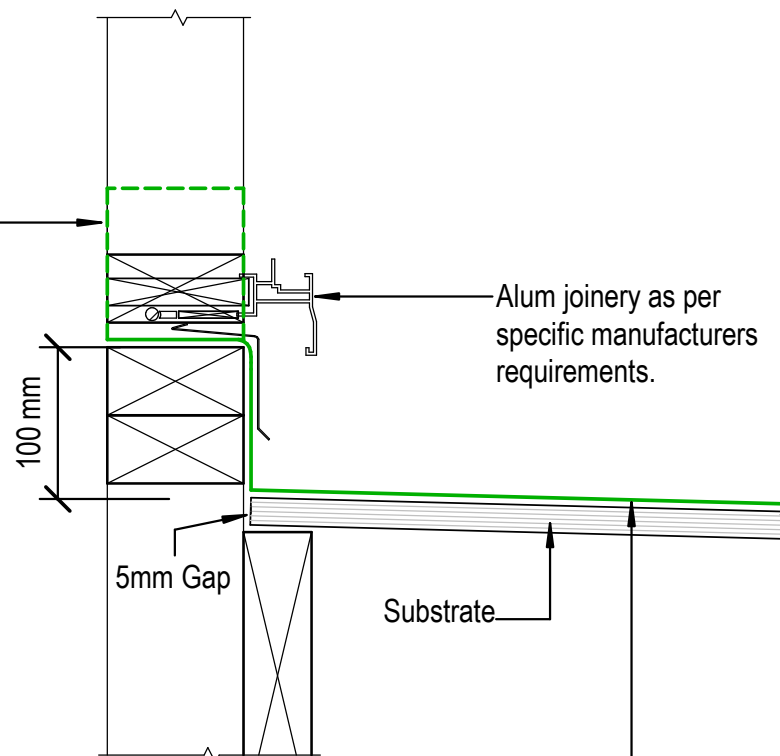
DRAWING

INFORMATION ONLY

Scale:	Date:	Drawn:	Viking
Not to Scale	23/11/2020		
Detail Ref:			VIK_ENV_090_DOORTHRS

Viking Roofspec
Taking care of detail

Finish Membrane 100mm min. up framing at ends. Width to suit joinery and cladding. Refer E2/AS1 FIG62(b)(d)



NOTE:
 Substrate to comply with current Viking Roofspec Masterspec specification
 Substrate Checksheet available from www.vikingroofspec.co.nz

Viking Enviroclad TPO waterproofing membrane 1.52 mm thick, install as per manufacturers instructions

DRAWING TITLE

Viking Enviroclad
 Threshold_Window

NOTES:

- * Angle fillets are not required at upstands for Enviroclad
- * All fixings, cladding and structure are indicative only unless notated

CodeMark

Cert # GM-CMNZ30058
 Cert # BV-CMNZ70176
 Enviroclad systems are CodeMarked

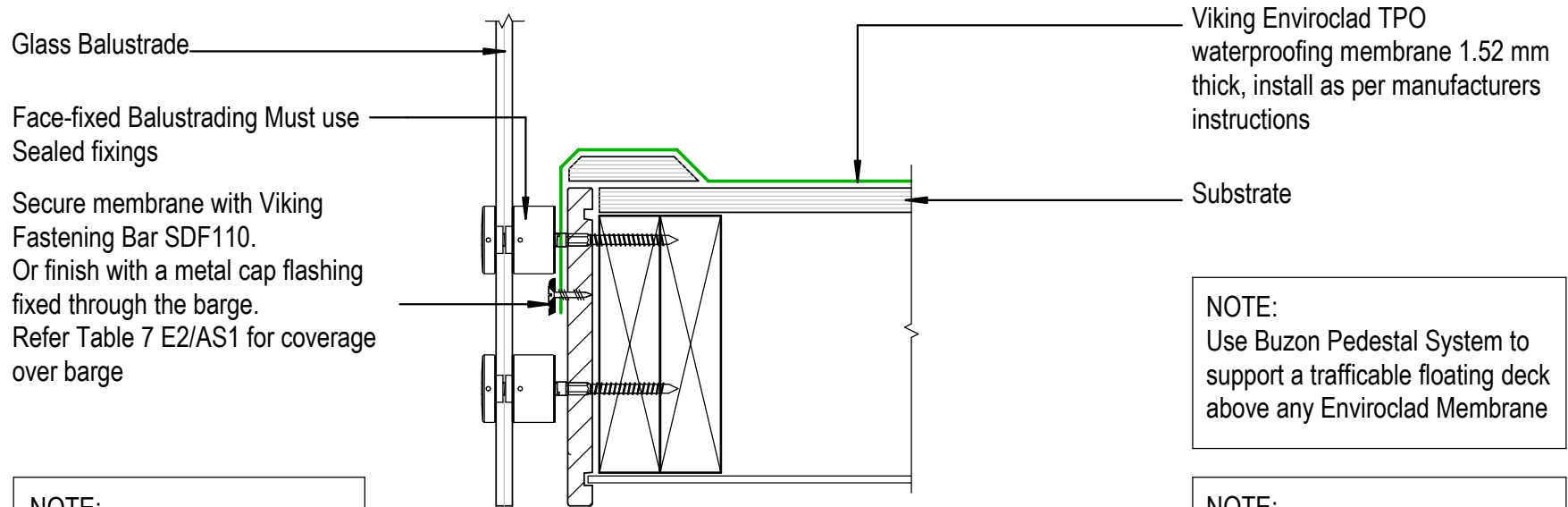
DRAWING

INFORMATION ONLY

Scale:	Date:	Drawn:	Viking
Not to Scale	23/11/2020		
Detail Ref:			VIK_ENV_091_WINDTHRS

VIK_ENV_091_WINDTHRS

Viking Roofspec
 Taking care of detail



NOTE:
Refer details ENV_040
and ENV_040A

NOTE:
Use Buzon Pedestal System to
support a trafficable floating deck
above any Enviroclad Membrane

NOTE:
Substrate to comply with current
Viking Roofspec Masterspec
specification
Substrate Checksheet available
from www.vikingroofspec.co.nz



DRAWING TITLE
Viking Enviroclad Deck_Balustrade

NOTES:
* Angle fillets are not required at upstands for Enviroclad * All fixings, cladding and structure are indicative only unless notated

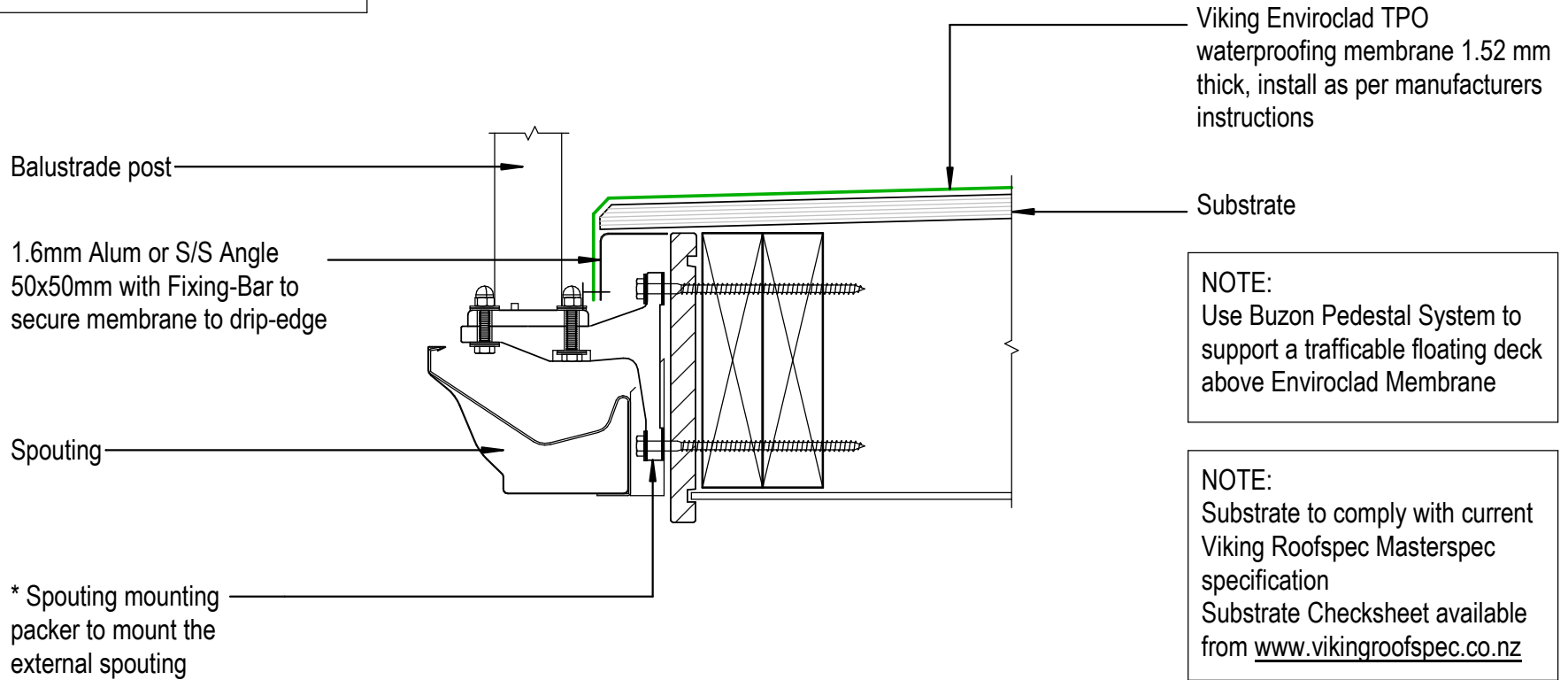
CodeMark

Cert # GM-CMNZ30058
Cert # BV-CMNZ70176
Enviroclad systems are CodeMarked

DRAWING INFORMATION ONLY			
Scale:	Date:	Drawn:	Viking
Not to Scale	23/11/2020		
Detail Ref:			VIK_ENV_100_DECKBALU

NOTE:

* Unex Balustrade bracket and system refer to Unex Systems for complete Balustrade detail requirements Ph 0800 333 777
WEB: unex.co.nz



NOTE:
Use Buzon Pedestal System to support a trafficable floating deck above Enviroclad Membrane

NOTE:
Substrate to comply with current Viking Roofspec Masterspec specification
Substrate Checksheet available from www.vikingroofspec.co.nz

DRAWING TITLE

Viking Enviroclad
Deck_Balustrade to External Spouting

NOTES:

* Angle fillets are not required at upstands for Enviroclad
* All fixings, cladding and structure are indicative only unless notated

CodeMark

Cert # GM-CMNZ30058

Cert # BV-CMNZ70176

Enviroclad systems are CodeMarked

DRAWING

INFORMATION ONLY

Scale:

Not to Scale

Date:

23/11/2020

Drawn:

Viking

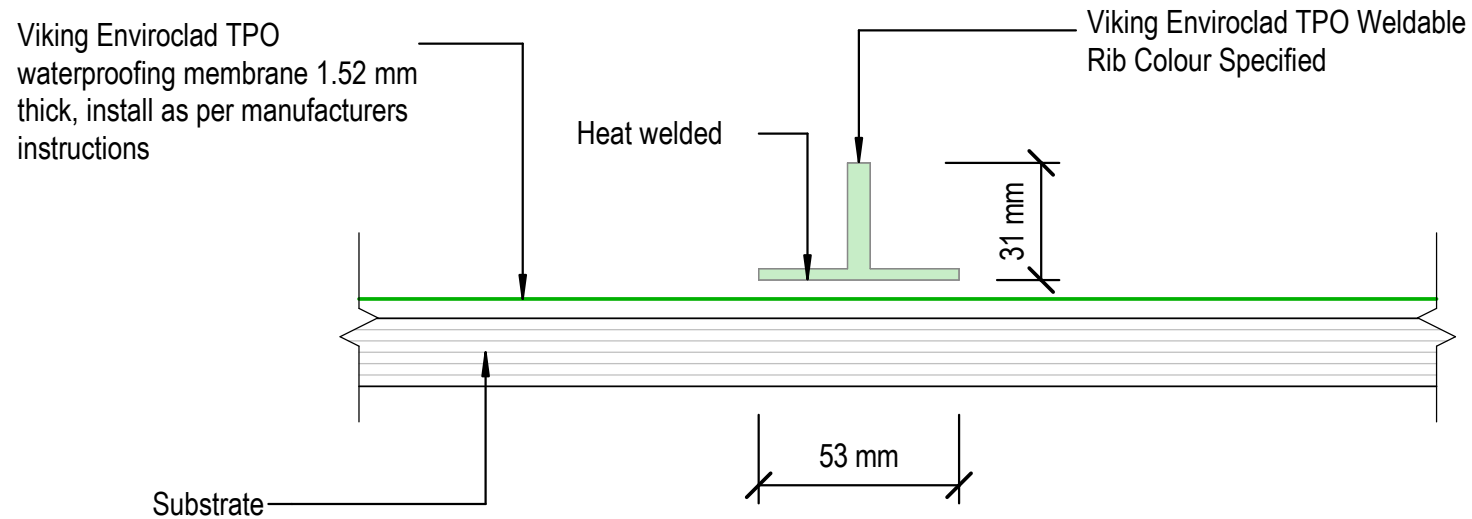
Detail Ref:

VIK_ENV_101_DECKBALU

Viking Roofspec
Taking care of detail

NOTE:
 TPO Weldable Rib to be Welded directly to Enviroclad TPO membrane, with no penetrations. Ribs can be placed at any point along the roof as long as they don't inhibit watershed

NOTE:
 Substrate to comply with current Viking Roofspec Masterspec specification
 Substrate Checksheet available from www.vikingroofspec.co.nz



DRAWING TITLE

Viking Enviroclad
 Accessories_Enviroclad TPO Weldable Rib

NOTES:

* Angle fillets are not required at upstands for Enviroclad
 * All fixings, cladding and structure are indicative only unless notated

CodeMark

Cert # GM-CMNZ30058
 Cert # BV-CMNZ70176
 Enviroclad systems are CodeMarked

DRAWING

INFORMATION ONLY

Scale:	Date:	Drawn:	Viking
Not to Scale	23/11/2020		

Detail Ref: **VIK_ENV_120_ACCTPOWR**

Viking Roofspec
 Taking care of detail