

**NOTE:**

Substrate to comply with current Viking Roofspec Masterspec specification  
 Substrate Checksheet available from [www.vikingroofspec.co.nz](http://www.vikingroofspec.co.nz)

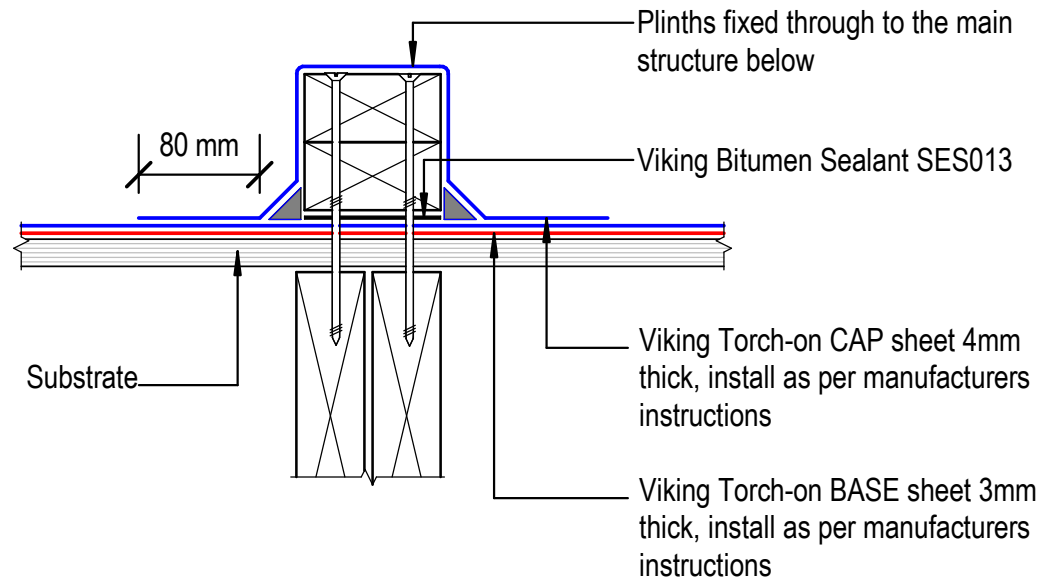
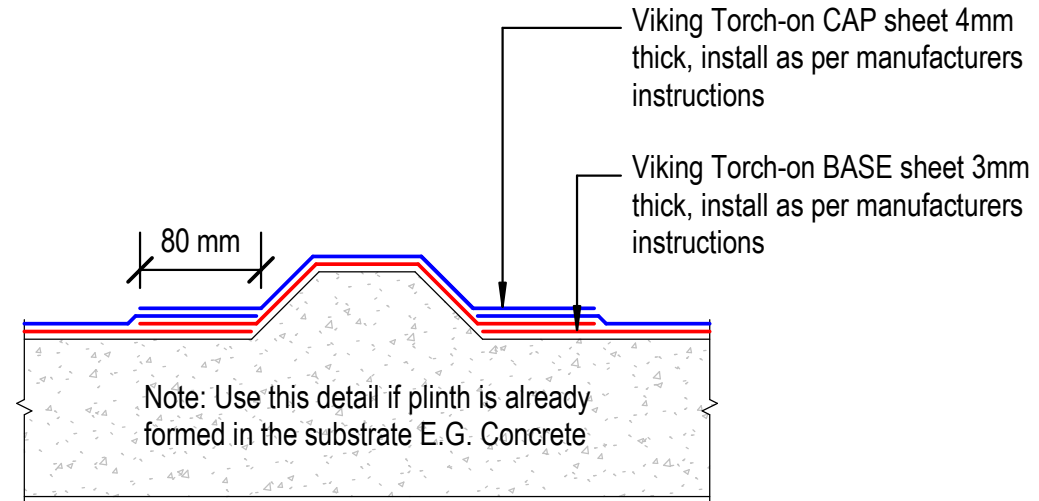
**NOTE:**

Consider Viking Detail TOR\_011 as a better option for supporting Mechanical Plant on membrane roofs.  
 Although Viking Roofspec do not recommend fixing posts or plant through the top of Membrane roofs or decks if this is required then use a plinth detail provides the fixing by other trades are kept off the main deck flood area.

Viking Roofspec recommend that any fixing of plant is kept independent of the membrane roof ideally through vertical surfaces such as parapets.  
All Fixings must be sealed

**NOTE:**

Viking Roofspec or our Approved Applicators do not warranty fixings installed by other trades.



DRAWING TITLE

Viking Torch-On  
 Penetration\_Plinth for concrete or timber

NOTES:

- Viking Waterproof Membrane as notated can be Viking Gemini, Lybra or Phoenix Super.
- All fixings, cladding and structure are indicative only unless notated.

**CodeMark**

Cert # GM-CMNZ30092  
 Cert # BV-CMNZ70171

Viking Torch-On systems are CodeMarked

DRAWING

INFORMATION ONLY

Scale:	Date:	Drawn:	Viking
Not to Scale	23/11/2020		
Detail Ref:			<b>VIK_TOR_013_PENEPLIN</b>

Roofspec  
**Viking**  
 Taking care of detail