

Builders flashing tape

Viking 207x88x1.6mm stainless steel scupper IMT107, installed as per manufacturers instructions.

Viking Torch-on CAP sheet 4mm thick, install as per manufacturers instructions

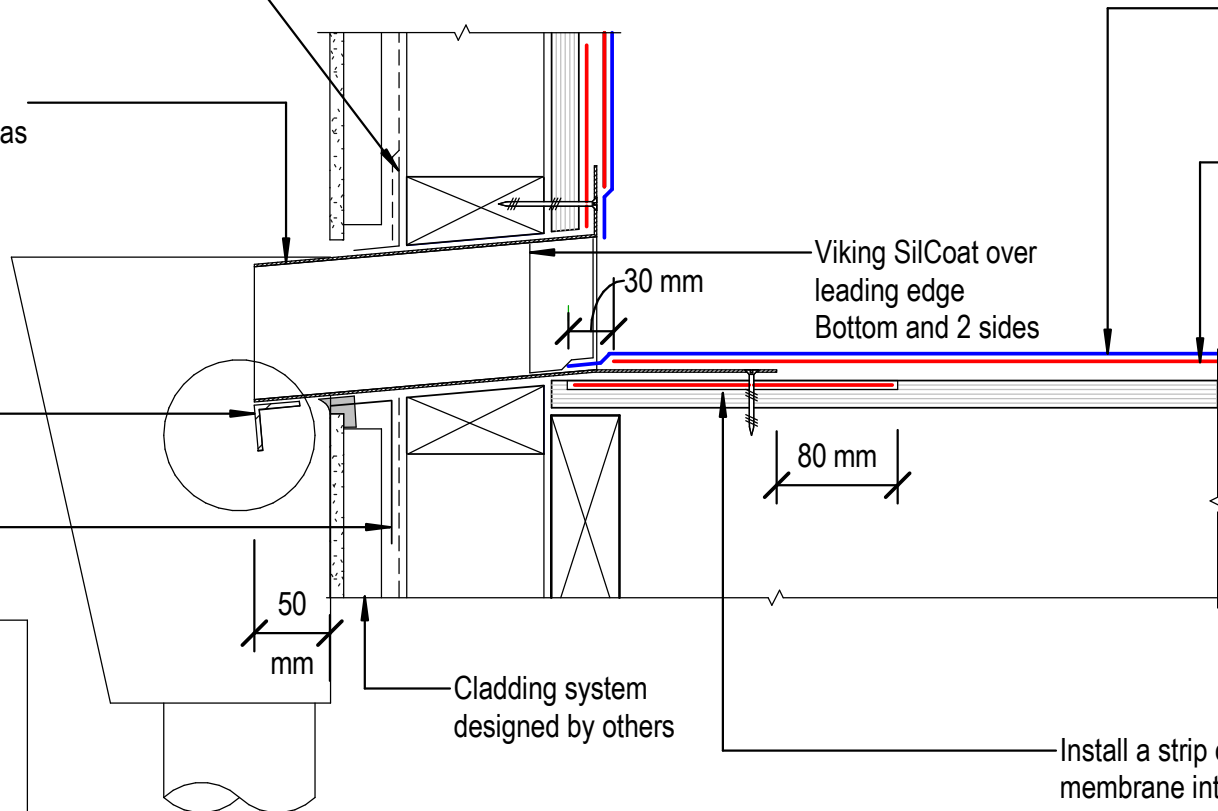
Viking Torch-on BASE sheet 3mm thick, install as per manufacturers instructions

Viking SilCoat over leading edge Bottom and 2 sides

Drip edge

Sealant and tape by builder

**NOTE:**  
Substrate to comply with current Viking Roofspec Masterspec specification  
Substrate Checksheet available from [www.vikingroofspec.co.nz](http://www.vikingroofspec.co.nz)



Cladding system designed by others

Install a strip of Base Sheet membrane into substrate rebate to seal scupper into

DRAWING TITLE

Viking Torch-On  
Parapet\_ with scupper outlet

NOTES:

- Viking Waterproof Membrane as notated can be Viking Gemini, Lybra or Phoenix Super.
- All fixings, cladding and structure are indicative only unless notated.

**CodeMark**

Cert # GM-CMNZ30092

Cert # BV-CMNZ70171

Viking Torch-On systems are CodeMarked

DRAWING

INFORMATION ONLY

Scale: Not to Scale Date: 23/11/2020 Drawn: Viking

Detail Ref: **VIK\_TOR\_041\_PARASCUP**

Roofspec  
**Viking**  
Taking care of detail