

Over time, the items on this page will be replaced by the “SeamShield” version which will have the letters ‘ss’ after the code.

Enviroclad Membrane (Standard White and Grey)

Product Code	Description	Colour	Thickness	Width	Length	Weight	M ³	Stocked In
STP114*	Enviroclad	Grey	1.14mm	2.44m	30.4m	105kg	0.17	AK, WN, ChC
STP110**	Enviroclad	Grey	1.14mm	3.05m	30.4m	116kg	0.20	
STP113*	Enviroclad	Grey	1.14mm	3.66m	30.4m	150kg	0.25	
STP109*	Enviroclad	Grey	1.14mm	4.88m	30.4m	205kg	0.33	
STP514*	Enviroclad	Grey	1.52mm	2.44m	30.4m	120kg	0.20	
STP510SS	Enviroclad	Grey	1.52mm	3.05m	30.4m	160kg	0.25	
STP513SS	Enviroclad	Grey	1.52mm	3.66m	30.4m	180kg	0.30	
STP509*	Enviroclad	Grey	1.52mm	4.88m	30.4m	245kg	0.33	
STP100**	Enviroclad	White	1.14mm	3.05m	30.4m	116kg	0.20	
STP500**	Enviroclad	White	1.52mm	3.05m	30.4m	160kg	0.25	

- *Sold by full rolls only

- **Sold in cut lengths if required – to the nearest 100mm increment – from 1.0m - 30.4m



STP510A

Enviroclad APEEL Membrane

Product Code	Description	Colour	Thickness	Width	Length	Weight	M ³	Stocked In
STP510A	Enviroclad APEEL	Grey	1.52mm	3.05m	30.4m	170kg	0.25	AK, WN, ChC
Sold in cut lengths if required, 100mm increments from 1.0m – 30.4m								



STP517

Coloured Enviroclad								
Product Code	Description	Colour	Thickness	Width	Length	Weight	M ³	Stocked In
STP516	Enviroclad	Slate Grey	1.52mm	3.05m	30.4m	160kg	0.25	AK
STP517	Enviroclad	Patina Green	1.52mm	3.05m	30.4m	160kg	0.25	
STP518	Enviroclad	Rock Brown	1.52mm	3.05m	30.4m	160kg	0.25	
STP520B	Enviroclad	Ironsand	1.52mm	3.05m	30.4m	160kg	0.25	
STP521	Enviroclad	Medium Bronze	1.52mm	3.05m	30.4m	160kg	0.25	
Sold in cut lengths if required (100mm increments)								



Slate Grey



Patina Green



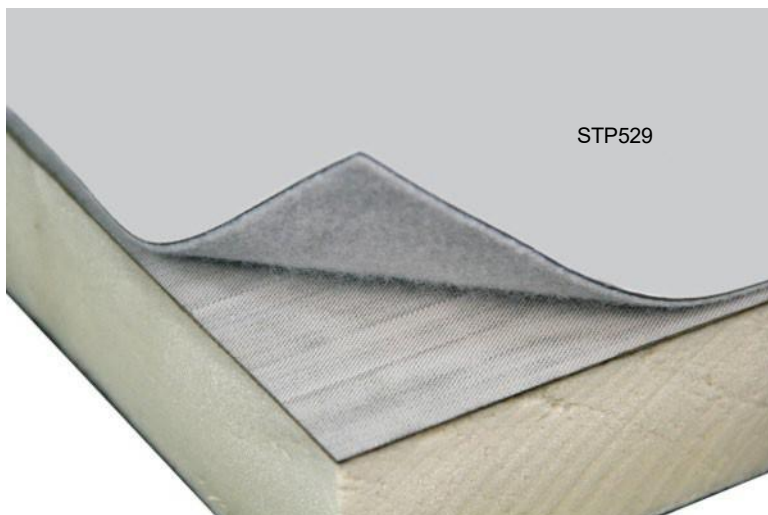
Rock Brown



Medium Bronze



Ironsand



VWR111

Enviroclad Rapidlock System*

Product Code	Description	Colour	Thickness	Width	Length	Weight	M ³	Stocked In
VWR111	Rapidlock Cover Board	N/A	13mm	1.2m	2.4m	1.2kg	N/A	Indent only
STP529	Rapidlock Membrane Grey	Grey	2.92mm	3.05m	30.4m	180kg	0.27	

- * Full rolls only



STP000



STP012



STP860



STP870

Adhesive and Sealants

Product Code	Description	Size	Est. Coverage*	Weight	M ³	Stocked In
STP000	Enviroclad Adhesive	19L	2m ² per litre	18kg	0.03	AK, WN, ChC
STP012	Clear Cut Edge Sealant	300ml	–	N/A	N/A	
STP860	Universal Single-Ply Sealant	300ml	–	N/A	N/A	
STP870	Water Cut Off Mastic	300ml	–	N/A	N/A	

*Rates are indicative only. Coverage depends on surface texture and condition



STP904



STP907



STP904HS



STP905



STP906



STP904DT

Cav-Grip III Adhesive

Product Code	Description	Size	Est. Coverage*	Stocked In
STP904	Cav Grip III	13.6kg	92m ²	AK, WN, ChC
STP905	Cav Grip Hose	1.8m	NA	AK, WN, ChC
STP905A	Cav Grip Hose	3.6m	NA	AK, WN, ChC
STP905B	Cav Grip Hose	5.4m	NA	AK, WN, ChC
STP906	Cav Grip Spray Gun (adjustable)	NA	NA	AK, WN, ChC
STP907	Untack Cleaning System	5kg	NA	AK, WN, ChC
STP908	Cav Grip Spray Gun (with extension)	NA	NA	AK, WN, ChC
STP909	Cav Grip Gun Replacement Tips	NA	NA	AK, WN, ChC
STP904DT	Cav Grip Dual Tip nozzle	NA	NA	AK, WN, ChC
STP904HS	Cav Grip hose splitter	NA	NA	AK, WN, ChC

- *Coverage rates are indicative only. Coverage depends on surface texture and condition
- Refer Viking Product Data Sheet Cav-Grip III for guidance
- **NB:** Hose Splitter and Dual Tip nozzle can not be used at the same time

Cav Grip III Acceptable Membranes and Applications

Acceptable Membranes and Applications

Membrane Type	Roof Deck / Field area	Upstands
Enviroclad TPO	✓	✓
Epiclad EPDM	✓	✓
FleeceBACK**	✓**	✓**
Dec-K-ing PVC	✗	✗

- **NB:** Cav Grip III can be used to bond Enviroclad to the surface of Cover Board and Polysio board, but it cannot be used to secure Cover Board to Polysio board or Polysio board to the substrate
 - ** Cav grip III can not be used over bitumen when installing FBS



ILD001



ILDCONNECT

Tru Ground Electronic Leak Detection Conductive Primer

Product Code	Description	Size	Est Coverage*	Weight	M ³	Stocked In
ILD001	Leak Detection Conductive Primer	19L	Aprox 110m ²	22Kg	0.03	AK, ChC
ILDCONNECT	Device to connect substrate to leak detection reader					

Rates are indicative only. Coverage depends on the surface treatment condition



VPS100C & VPS100C1



VPS100A



VPS100B

Attention: Activator recommended for installations in cold conditions.
Call 0800 729 799 for more information.

Water-based Epoxy				
Product Code	Description	Size	Est. Coverage*	Stocked In
VPS100A	Viking Primer Sealer Part A	10L	6 – 8m ² per litre per coat of A+B mixture	AK, WN, ChC
VPS100B	Viking Primer Sealer Part B	10L		
VPS104A	Viking Primer Sealer Part A	4L		
VPS104B	Viking Primer Sealer Part B	4L		
VPS100C	Activator	1kg	100ml to 1 litre of mix	AK, ChC
VPS100C1	Quick set liquid	100ml	10-20ml to 1 litre of Part A	

- *Coverage rates are indicative only. Coverage depends on surface texture and condition
- Can be used with all membranes except Torch-On
- Apply 2 coats for shower protection and to seal concrete
- Allow 2 hrs drying time above 10°C
- 72 hours curing before applying solvent adhesives



STP001



STP480

Membrane Cleaner and Splice Wipes

Product Code	Description	Size	Stocked In
STP001	Enviroclad Weathered Membrane Cleaner	19L	AK, WN, ChC
STP480	Enviroclad Splice Wipes (150)	N/A	
To be used with Enviroclad and Epiclad only			



STP710

Enviroclad Walkway Roll					
Product Code	Description	Colour	Width	Length	Stocked In
STP700	Enviroclad Walkway Roll*	White	870mm	15.2m	AK, WN, ChC
STP710	Enviroclad Walkway Roll*	Grey	870mm	15.2m	
- *Sold cut-to-length - Refer to Viking Product Data sheet for Enviroclad walkway roll					



STP210



STP310



STP410



STP211

Corners and T-Joint Covers

Product Code	Description	Colour	Stocked In
STP200	Enviroclad Outside Corner Fluted	White	AK, WN, ChC
STP210	Enviroclad Outside Corner Fluted	Grey	AK, WN, ChC
STP300	Enviroclad Inside Corner	White	AK, WN, ChC
STP310	Enviroclad Inside Corner	Grey	AK, WN, ChC
STP400	Enviroclad T-joint Cover	White	AK, WN, ChC
STP410	Enviroclad T-joint Cover	Grey	AK, WN, ChC
STP201	90 Degree Internal/External Corner	White	AK, WN, ChC
STP211	90 Degree Internal/External Corner	Grey	AK, WN, ChC



STP600



STP614

Coloured Non-Reinforced Detailing Material					
Product Code	Description	Colour	Width	Length	Stocked In
STP600	Enviroclad Non-reinforced TPO	White	300mm	15.2m	AK
STP610	Enviroclad Non-reinforced TPO	Grey	300mm	15.2m	AK, WN, ChC
STP613	Enviroclad Non-reinforced TPO	Slate Grey	610mm	15.2m	AK
STP614	Enviroclad Non-reinforced TPO	Patina Green	610mm	15.2m	
STP615	Enviroclad Non-reinforced TPO	Rock Brown	610mm	15.2m	
STP621	Enviroclad Non-reinforced TPO	Medium Bronze	610mm	15.2m	
STP620B	Enviroclad Non-reinforced TPO	Ironsand	610mm	15.2m	
Sold cut-to-length					



Slate Grey



Patina Green



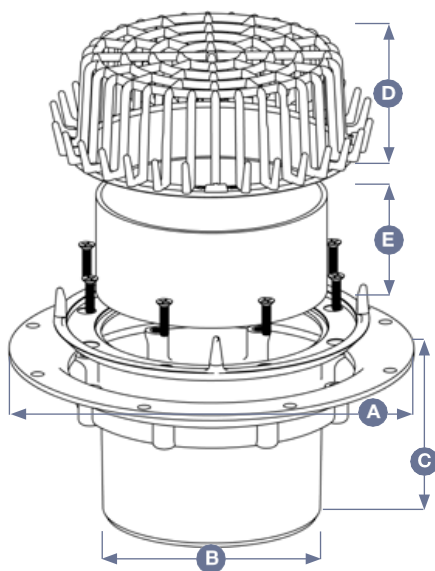
Rock Brown



Medium Bronze



Ironsand

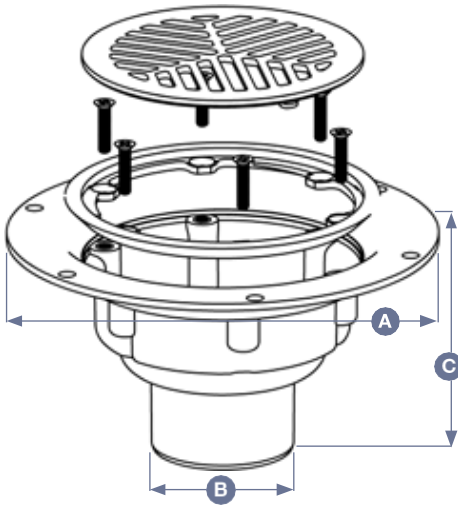


SDM051

Multi-Purpose Drain or Over-flow

	Dimensions	SDM065	SDM049	SDM051	Stocked In
A	Flange Diameter	170mm	230mm	280mm	AK, WN, ChC
B	Downpipe Diameter	65mm	80 / 100mm	150mm	
C	Drain Depth	80mm	120mm	120mm	
D	Grate Height	33mm	44mm	74mm	
E	Overflow Collar Height	30mm	38mm	69mm	

Can be used with all membrane types

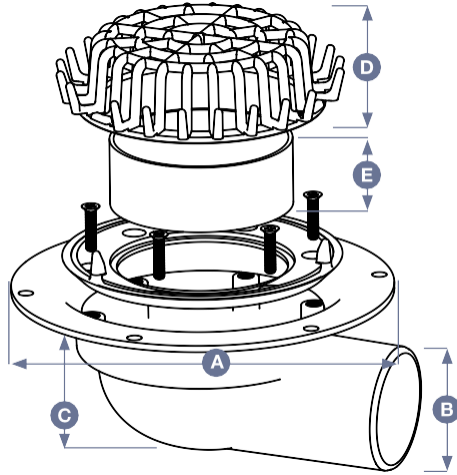


SDM050

Deck Drain with Grill				
	Dimensions	SDM050b	SDM050	Stocked In
A	Flange Diameter	170mm	230mm	AK, WN, ChC
B	Downpipe Diameter	65mm	80 / 100mm	
C	Drain Depth	80mm	120mm	
Can be used with all membrane types				



SDM055



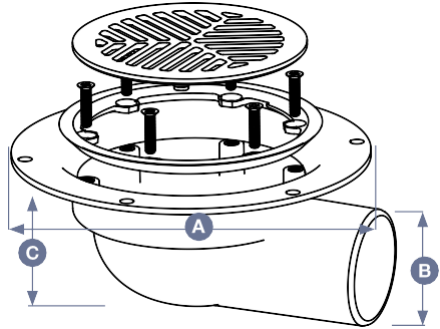
Multi-Purpose Drain or Over-flow Side Exit Pipe

	Dimensions	SDM055	Stocked In
A	Flange Diameter	230mm	AK, WN, ChC
B	Side Exit Pipe Diameter	80mm	
C	Drain Depth	100mm	
D	Grate Height	44mm	
E	Overflow Collar Height	38mm	

Can be used with all membrane types



SDM056



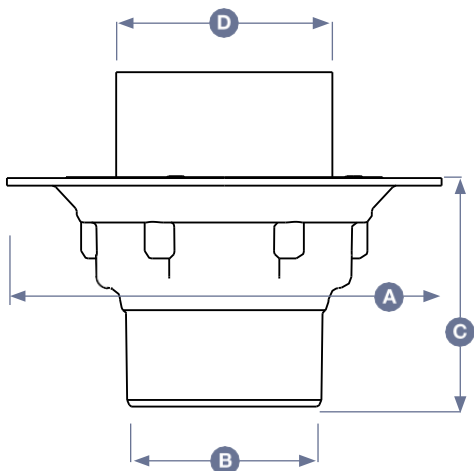
Deck Drain with Side Exit Pipe			
	Dimensions	SDM056	Stocked In
A	Flange Diameter	230mm	AK, WN, ChC
B	Side Exit Pipe Diameter	80mm	
C	Drain Depth	100mm	
Can be used with all membrane types			



SDM066C2



SDM066

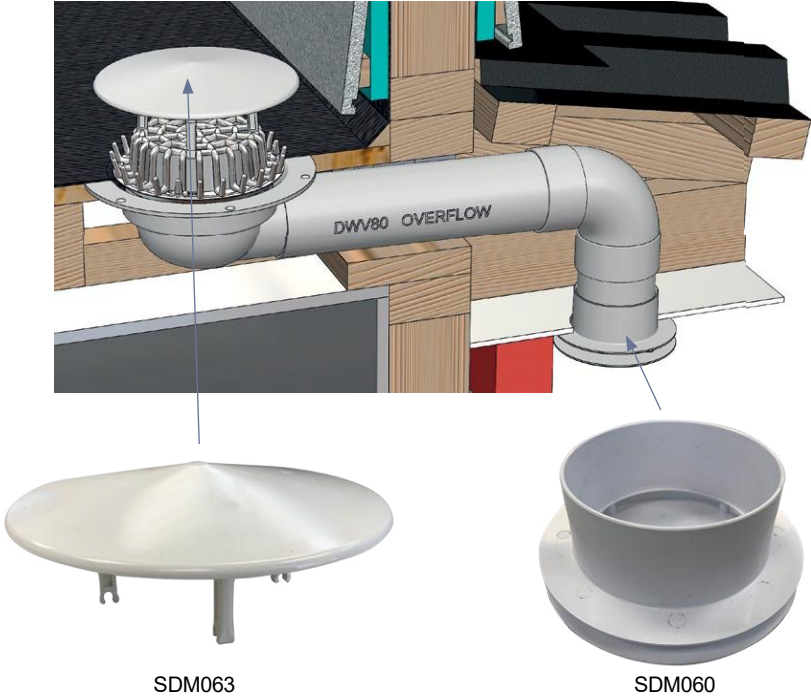


Inter-balcony Drains-Vented

	Dimensions	SDM066C	SDM066	SDM066A	SDM066B	Stocked In
A	Flange Diameter	175mm	175mm	230mm	282mm	AK, WN, ChC
B	Outlet Diameter	65mm	80mm	100mm	150mm	
C	Drain Depth	75mm	83mm	117mm	118mm	
D	Junction Diameter	70mm	83mm	111mm	161mm	

Inter-balcony Drains-Non vented

	Dimensions	SDM065C1	SDM066C2	SDM066D	Stocked In
A	Flange Diameter	175mm	175mm	230mm	AK, WN, ChC
B	Outlet Diameter	65mm	80mm	100mm	
C	Drain Depth	75mm	83mm	117mm	
D	Junction Diameter	70mm	83mm	111mm	



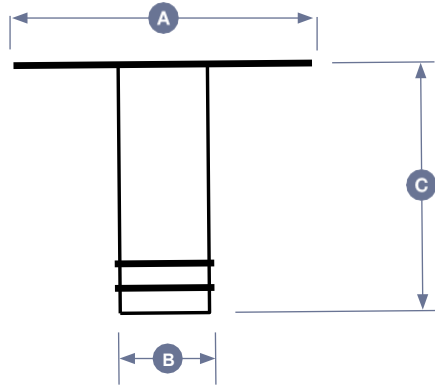
SDM063

SDM060

Overflow Soffit Trims and Hats		
Product code	Description	Stocked In
SDM062	Soffit Trim 65mm	AK, WN, ChC
SDM060	Soffit Trim 80mm	
SDM061	Soffit Trim 100mm	
SDM064	Overflow Hat 65mm	
SDM063	Overflow Hat 80/100mm	
SDM063B	Overflow Hat 150mm	



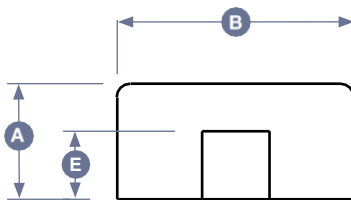
STP605



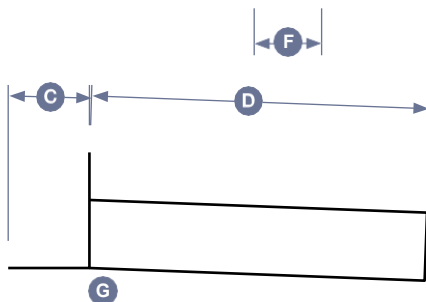
Dropper Drains				
	Dimensions	STP605	STP606	Stocked In
A	Flange Width	275mm	295mm	AK, WN, ChC
B	Downpipe Diameter	80mm	100mm	
C	Downpipe Length	250mm	250mm	
	Colour	Grey	Grey	
To be used with Enviroclad only				



STP602



STP603



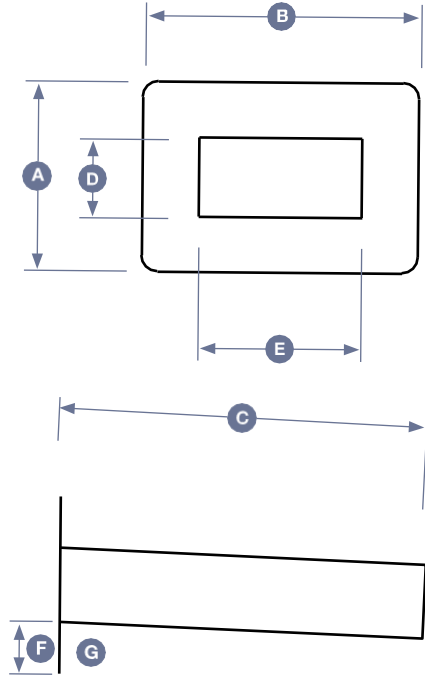
Scuppers

	Dimensions	STP601	STP602	STP603 (E2/AS1 compliant)	Stocked In
A	Face Height	170mm	170mm	130mm	AK, WN, ChC
B	Face Width	350mm	350mm	310mm	
C	Bottom Face	120mm	120mm	95mm	
D	Outlet Length	495mm	495mm	385mm	
E	Aperture Height	65mm	100mm	75mm	
F	Aperture Width	100mm	100mm	205mm	
G	Drain Slope	1°	1°	1°	
	Colour	grey	grey	grey	
	Origin	Italy	Italy	NZ	

To be used with Enviroclad only



STP604



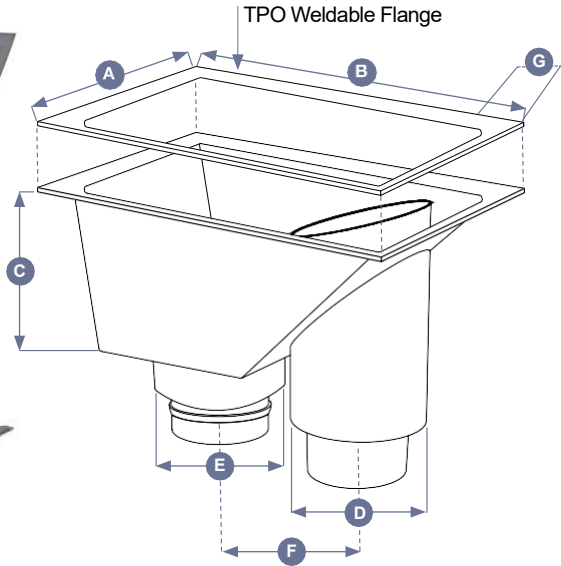
Overflow			
	Dimensions	STP604	Stocked In
A	Face Height	180mm	AK, WN, ChC
B	Face Width	310mm	
C	Outlet Length	380mm	
D	Aperture Height	80mm	
E	Aperture Width	200mm	
F	Flange Dimension	45mm	
G	Drain Slope	1°	
	Colour	Black	
This item is compatible with rubber membranes and Enviroclad TPO			



IMR400T



IMR120T



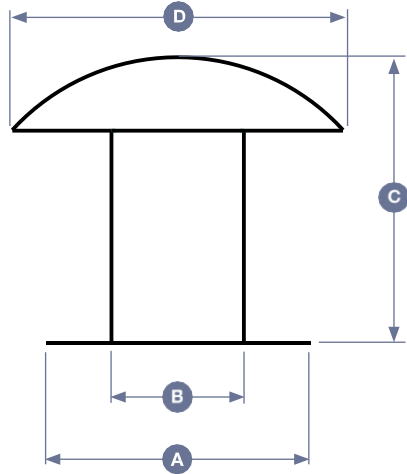
Sumps with TPO Weldable Flanges

	Dimensions	IMR120T	IMR130T	IMR400T	Stocked In
A	Overall Width	360mm	430mm	350mm	AK, WN, ChC
B	Overall Length	510mm	640mm	520mm	
C	Depth	215mm	275mm	85mm	
D	Overflow Ø	100 / 150mm	150 / 200mm	100 / 150mm	
E	Main Outlet Ø	100 / 150mm	150 / 200mm	100 / 150mm	
F	Outlet Position	170mm	250mm	185mm	
G	Flange Width	50mm	50mm	50mm	

Can be used with Enviroclad only



IMV113



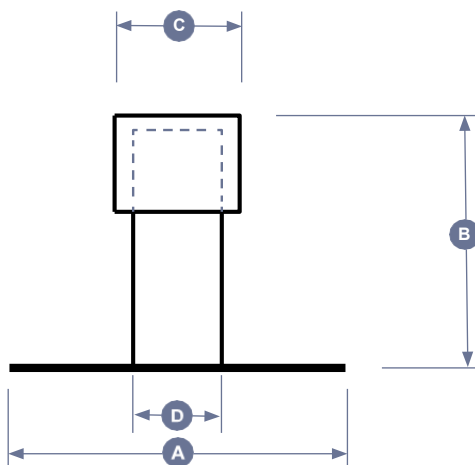
Roof Vents

	Description	IMV111	IMV113	Stocked In
A	Flange Diameter	200mm	200mm	AK, WN, ChC
B	Vent Diameter	100mm	100mm	
C	Vent Height	215mm	120mm	
D	Cap Diameter	250mm	250mm	
	Cap Colour	Grey*	Grey*	

- Can be used with all membrane types except Dec-K-ing
- *If white or black domes are required, please inform Customer Services



STP607



Roof Vent			
	Dimensions	STP607	Stocked In
A	Flange Width	280mm	AK, WN, ChC
B	Vent Height	310mm	
C	Cap Diameter	104mm	
D	Vent Diameter	75mm	
	Colour (with black cap)	Grey	
Can be used with Enviroclad and Viking rubber membranes only			



IMT602

IMT601

Kick-out Flashings

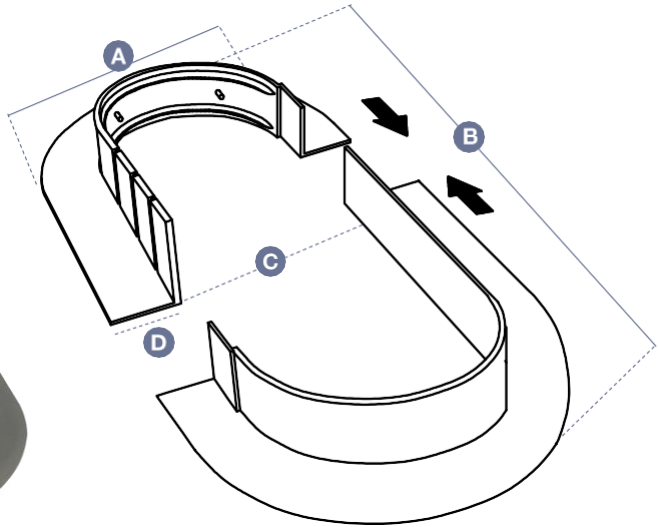
Product Code	Description	Colour	Dimensions	Stocked In
IMT601	Kick-out Flashing (Right)	Charcoal	250mm x 170mm x 140mm	AK, WN, ChC
IMT602	Kick-out Flashing (Left)	Charcoal	250mm x 170mm x 140mm	
These diverters are TPO weldable				



STP460



STP450



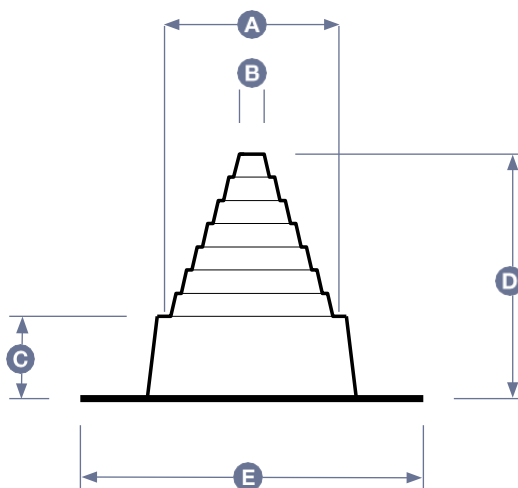
Pourable Pockets and Pourable Sealant

	Dimensions	STP440	STP450	STP460	Stocked In
A	Overall Width	250mm	250mm	n/a	AK, WN, ChC
B	Overall Length (Closed)	410mm	410mm	n/a	
C	Inside Width	150mm	150mm	n/a	
D	Flange Width	50mm	50mm	n/a	
	Colour	White	Grey	White	
	Sealant Coverage*	N/A	N/A	2 Lts	

- Can be used with Enviroclad only
 - Refer Viking Product Data Sheet TPO Pourable Sealer Pockets for installation guidance
 - Temperature of penetration shall not exceed 90°C
- *Sealant Coverage = Each TPO Pourable Sealer Pocket Requires 1.4 Lts - 2Lts of sealant

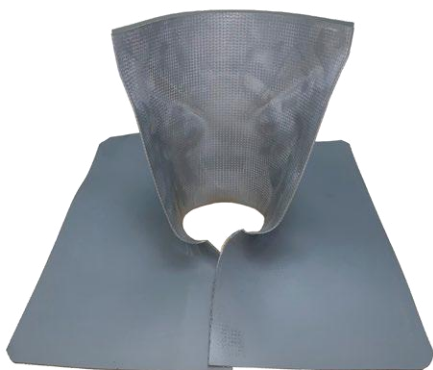


STP430

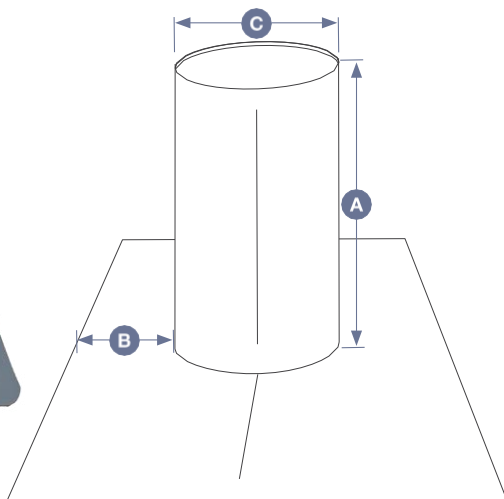


Pipe Seals

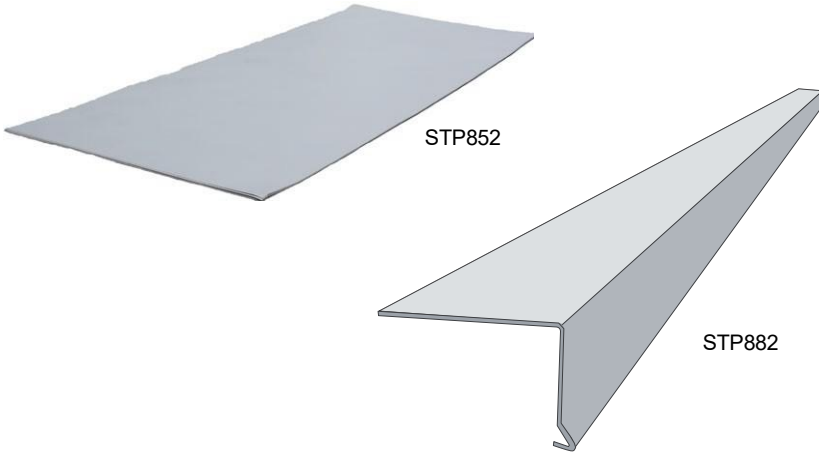
	Dimensions	STP420	STP430	Stocked In
A	Biggest Penetration	205mm	205mm	AK, WN, ChC
B	Smallest Penetration	19mm	19mm	
C	Minimum Height	80mm	80mm	
D	Maximum Height	240mm	240mm	
E	Flange	334mm	334mm	
	Colour	White	Grey	
<ul style="list-style-type: none"> - Can be used with Enviroclad only - Temperature of penetration shall not exceed 70°C 				



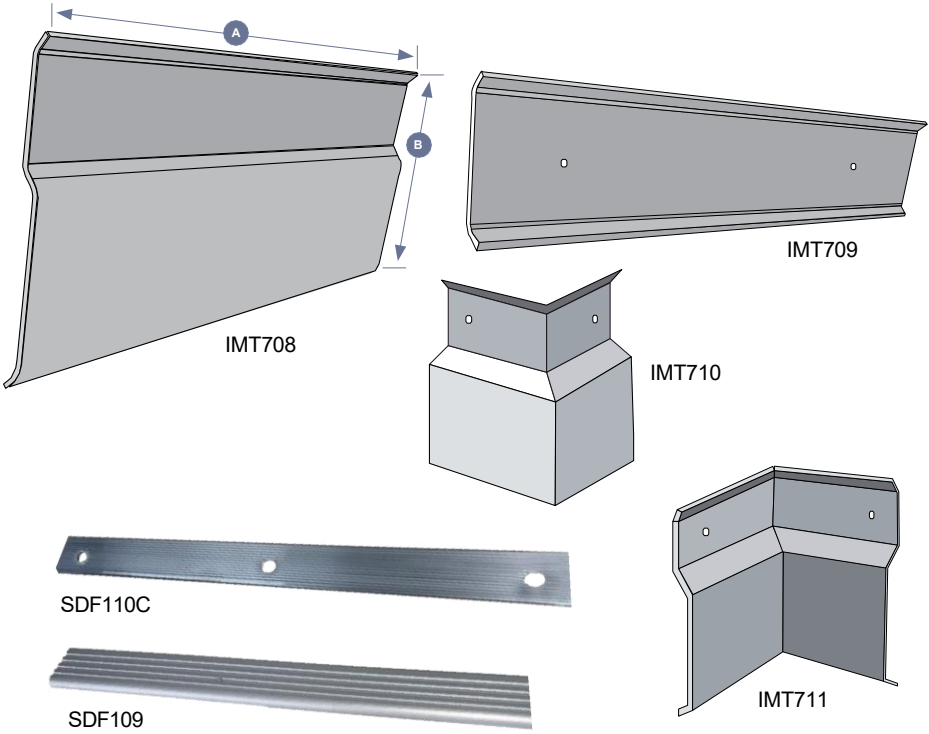
STP830



Split Pipe Boot					
Product Code	Dimensions			Colour	Stocked In
	A	B	C		
STP830	203mm	127mm	80mm	Grey	AK
STP831	203mm	127mm	100mm	Grey	
<ul style="list-style-type: none"> - Can be used with Enviroclad only - Temperature of penetration shall not exceed 70°C 					



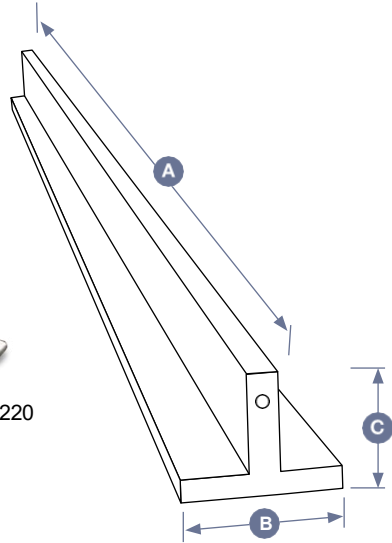
TPO Coated Metal & Aluminium Drip-edge				
Product Code	Description	Colour	Dimensions	Stocked In
STP852	TPO Coated Aluminium (1.6mm)	Grey	1.2m x 3.0m	AK, ChC
STP882	TPO Coated Alum. Drip edge	Grey	100mm x 65mm x 3.0m	AK, WN, ChC



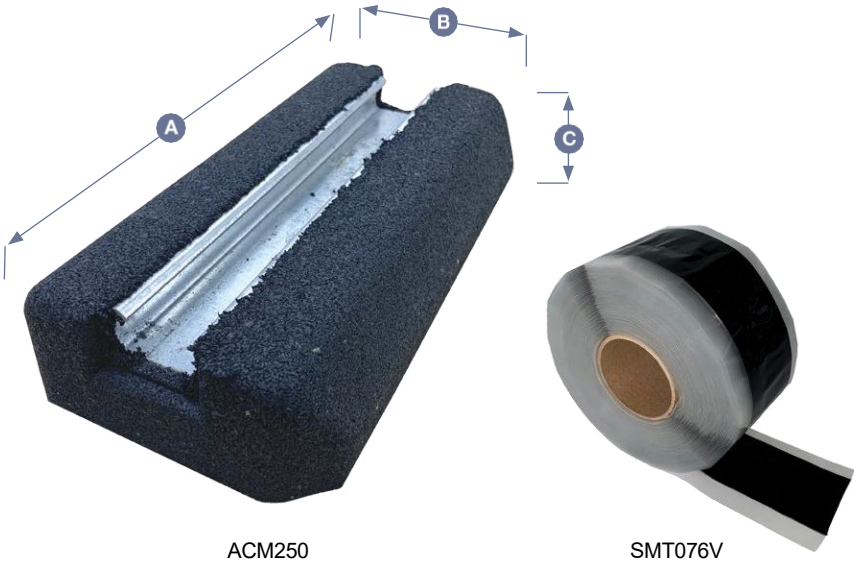
Edge Fasteners and Pressure Bars					
Product Code	Description	Finish	Dimensions		Stocked In
			A	B	
IMT708	Termination Flashing Cover Plate	Aluminium	2400mm	140mm	AK
IMT709	Pressure Bar	Aluminium	2400mm	65mm	
IMT710	External Corner	Aluminium	N/A	N/A	
IMT711	Internal Corner	Aluminium	N/A	N/A	
SDF109	Dual Purpose Edge Fastener	Grey (Alum)	2285mm	25mm	AK, WN, ChC
SDF110C	Edge Fastener	Silver (Alum)	3050mm	25mm	AK



STP220

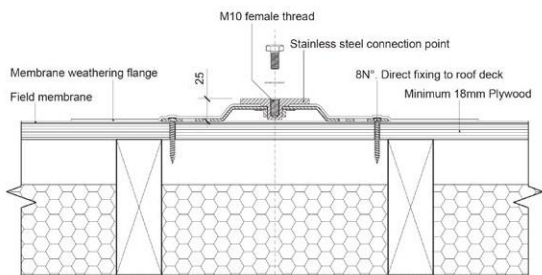


TPO Weldable Rib					
Product Code	Description	A	B	C	Stocked In
STP220	TPO Weldable Rib (White)	3.05m	53mm	31mm	AK
STP221	TPO Weldable Rib (Grey)	3.05m	53mm	31mm	
STP222A	TPO Weldable Rib (Patina Green)	3.05m	53mm	31mm	
STP222B	TPO Weldable Rib (Rock Brown)	3.05m	53mm	31mm	
STP222C	TPO Weldable Rib (Slate Grey)	3.05m	53mm	31mm	
STP222D	TPO Weldable Rib (Medium Bronze)	3.05m	53mm	31mm	
NB: Ribs not available for the Ironsand coloured membrane - closest colour to Ironsand is Medium Bronze					



Acoustic Mounting Block					
Product Code	Description	A	B	C	Stocked In
ACM250	Acoustic Mounting Block	250mm	130mm	50mm	AK, WN, ChC
ACM400	Acoustic Mounting Block	400mm	130mm	50mm	
Can be used with all membrane types					

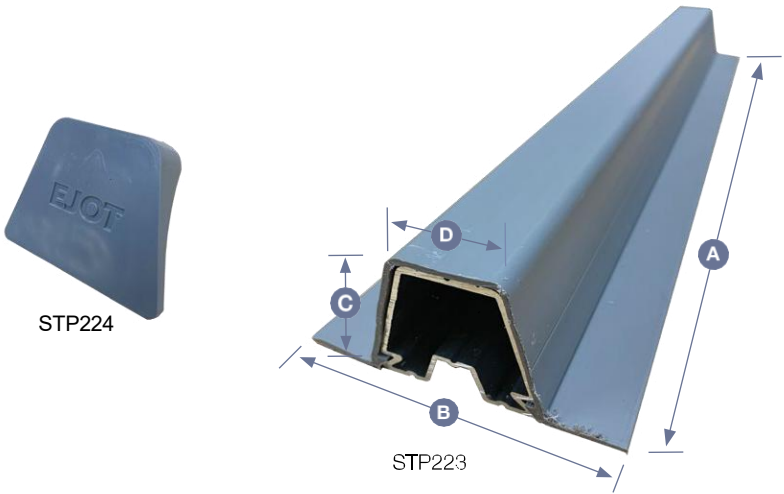
Self-adhesive Lap Tape*					
Product Code	Description	Colour	Width	Length	Stocked In
SMT076V	Lap Tape	N/A	76mm	30.4m	AK, WN, ChC
*To bond the base of the mounting block to the membrane pre-primed with SEC034 primer(wind uplift report available if required)					



Rooftrak Anchor System*

Product Code	Description	Dimensions	Membrane Type	Stocked In
NRT001	Anchor for Mounting Plant (Pre-applied Membrane Flange)	250mm x 250mm x 25mm Height	Enviroclad	AK

*For mounting plant on roofs or adding on walls



Ejot Mounting Bar

Product Code	Description	A	B	C	D	Stocked In
STP223	Mounting Bar	3000mm	100mm	40mm	30mm	AK, WN, ChC
STP224	End Cap	NA				

- For Enviroclad only
- Plates, screws and cover strip to be used under bars when installing solar panels on a warm roof (refer Viking's Product Technical Statement)



SDM140



SDM159A



SDM163

Welding Tools

Product Code	Description	Amp	Stocked In
SDM140	Leister Hand Welder	7 amp	AK
SDM159A	Leister Uniroof 300	15 amp*	
SDM163	Leister Unidrive 500	15 amp*	

- *Appropriate generators for 15 amp power must be used. Please don't swap out plugs to 10 amp
- This will void the warranty of the machine



LEIST 1

Welding Tool Kits		
Product Code	Description	Stocked In
LEIST 1	Leister Hand Welder (7 amp) with: 40mm roller; brass roller; 40mm and 20mm nozzles; seam probe and carry case	AK
LEIST 2	Leister Hand Welder (7 amp with digital reading) with: 40mm roller; 40mm nozzle and carry case	
LEIST 3	Leister Hand Welder (7 amp with digital reading) with: 40mm roller; brass roller, 40mm and 20mm nozzles; seam probe and carry case	



SDM145



SDM146



SDM147



SDM148



SDM149



SDM151

Welding Nozzles

Product Code	Description	Width and angle	Stocked In
SDM145	Nozzle	20mm Standard	AK
SDM146	Nozzle	20mm 120°	
SDM147	Nozzle	20mm 60°	
SDM148	Nozzle	40mm 60°	
SDM149	Nozzle	40mm Standard	
SDM151	Nozzle	20mm 90°	



SDM153



SDM155



SDM157



STP880

Welding Rollers and Seam Probe

Product Code	Description	Stocked In
SDM153	Brass Pressure Roller	AK
SDM155	Silicone Pressure Roller 40mm	
SDM157	PTFE Pressure Roller (Blue 25mm)	
STP880	Seam Probe	



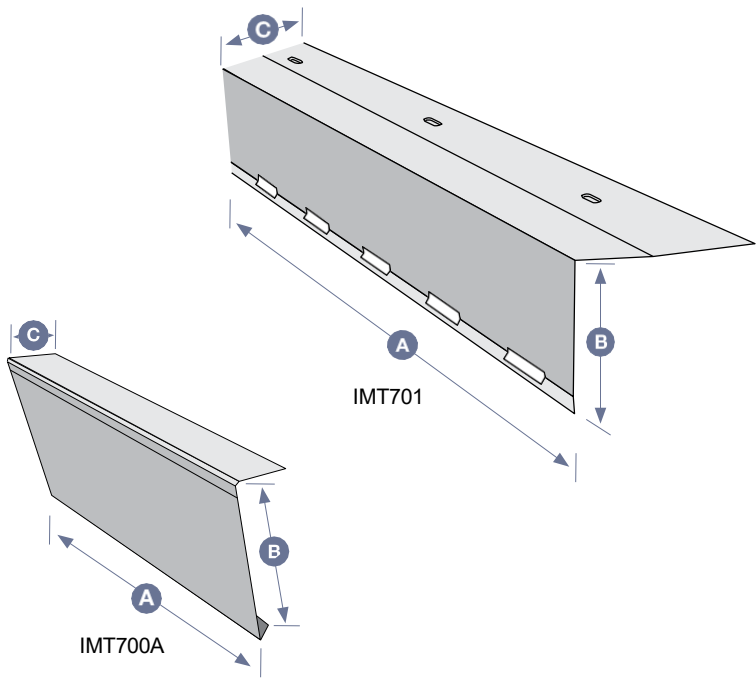
Mechanical Fastening Systems

Product Code	Description	Size	Stocked In
VWR001	Ply / Steel Tray Fasteners	50mm	AK
VWR002	Ply / Steel Tray Fasteners	76mm	
VWR003	Ply / Steel Tray Fasteners	100mm	
VWR004	Membrane Piranha Plates	60mm dia	
VWR005	Rhino Bond Plates	80mm dia	
VWR007	Concrete Fasteners	50mm	
VWR008	Concrete Fasteners	76mm	
VWR009	Concrete Fasteners	100mm	
Longer fasteners may be available on request			

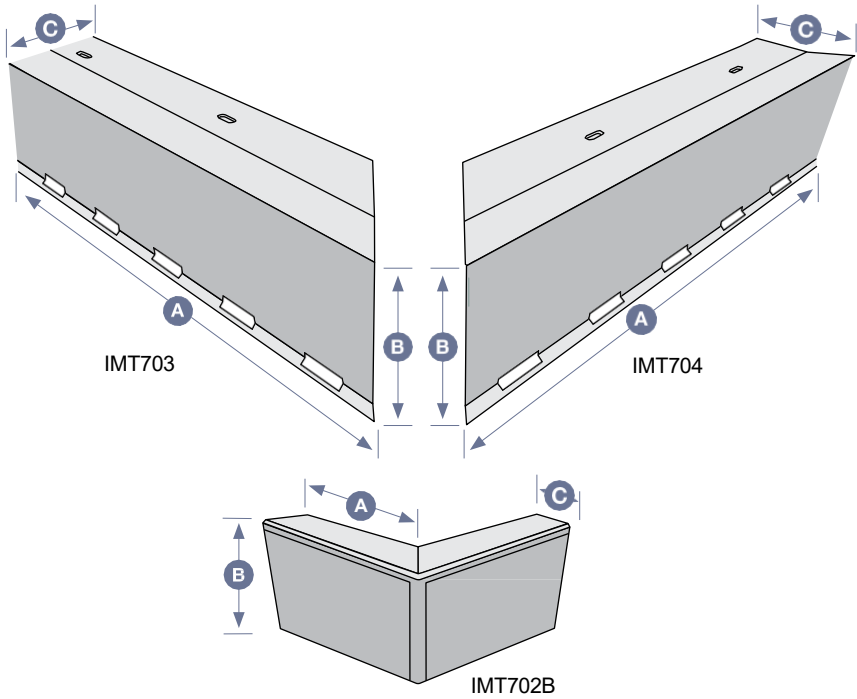


SRG003C

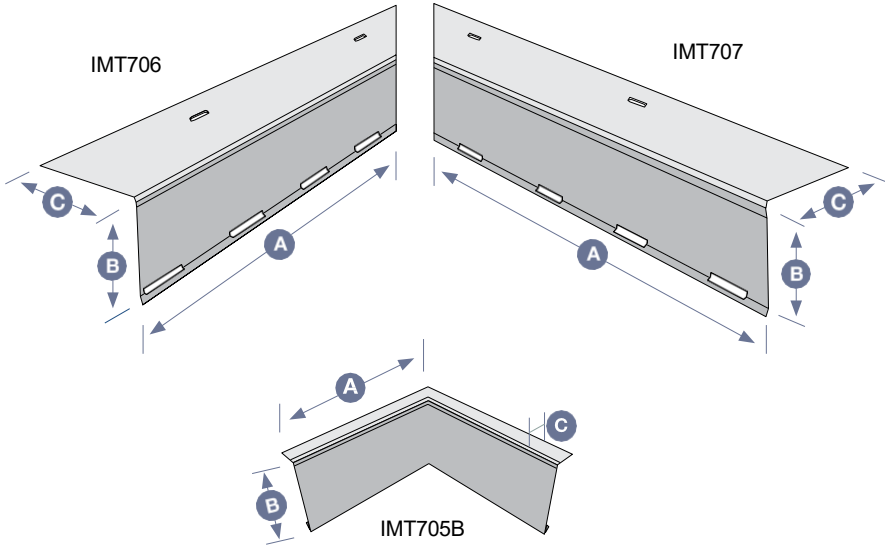
Membrane Protection Mat			
Product Code	Description	Size	Stocked In
SRG003C	Membrane Protection Mat*	4.0m wide	AK
<ul style="list-style-type: none">- To be used with all membranes- *Sold cut-to-length			



Straight Flashing						
Product Code	Description	Finish	Dimensions			Stocked In
			A	B	C	
IMT700A	Straight Cover	1.6mm Alum. mill Finish	2400mm	103mm	32mm	AK
IMT701	Straight Base	1.6mm Alum. mill Finish	2400mm	110mm	92mm	



External Corner						
Product Code	Description	Finish	Dimensions			Stocked In
			A	B	C	
IMT702B	External Cnr Cover	1.6mm Alum. mill Finish	195mm	110mm	32mm	AK
IMT703	LH External Cnr Base	1.6mm Alum. mill Finish	487mm	103mm	92mm	
IMT704	RH External Cnr Base	1.6mm Alum. mill Finish	487mm	103mm	92mm	



Internal Corner						
Product Code	Description	Finish	Dimensions			Stocked In
			A	B	C	
IMT705B	Internal Cnr Cover	1.6mm Alum. mill Finish	200mm	110mm	32mm	AK
IMT706	LH External Cnr Base	1.6mm Alum. mill Finish	487mm	103mm	92mm	
IMT707	RH External Cnr Base	1.6mm Alum. mill Finish	487mm	103mm	92mm	

NB: Aside from the specialised adhesives required for adhering Enviroclad F.B.S. membrane (shown on the next couple of pages), all of the accessories used with Enviroclad membrane displayed on the previous pages, apply to Enviroclad F.B.S. membranes as well



STP204

Enviroclad F.B.S. Membrane								
Product Code	Description	Colour	Thickness Inc. Fleece	Width	Length	Weight	M ³	Stocked In
STP204	Enviroclad F.B.S.	Grey	2.52mm	3.6m	30.4m	175kg	0.33	AK, WN, ChC
STP205	Enviroclad F.B.S.	White	2.52mm	3.6m	30.4m	175kg	0.33	



STP900B



STP912



STP901a / STP901b

Caulking Gun, Accessories and F.A.S.T. Adhesive

Product Code	Description	Stocked In
STP900B	Flexible F.A.S.T Adhesive Dual Cartridge (1.5litre/set (750ml A+B) (Average 7 – 10m ² / set)	AK, WN, ChC
STP911	Dual Cartridge Manual Caulking Gun (Long)	
STP912	Dual Cartridge Manual Caulking Gun (Short)	
STP901a	Flexible F.A.S.T Adhesive Dual Tank Part A (18.9 litres) Coverage approx. 300 – 320m ² / A+B set)	
STP901b	Flexible F.A.S.T Adhesive Dual Tank Part B (18.9 litres) Coverage approx. 300 – 320m ² / A+B set)	

To be used with Enviroclad F.B.S., Epiclad F.B.S. and Kingspan polyiso insulation panels for WarmSpan¹ specifications



STP904



STP907



STP904HS



STP905



STP906



STP904DT

Cav-Grip III Adhesive

Product Code	Description	Size	Est. Coverage*	Stocked In
STP904	Cav Grip III	13.6kg	92m ²	AK, WN, ChC
STP905	Cav Grip Hose	1.8m	NA	
STP905A	Cav Grip Hose	3.6m	NA	
STP905B	Cav Grip Hose	5.4m	NA	
STP906	Cav Grip Spray Gun (adjustable)	NA	NA	
STP907	Untack Cleaning System	5kg	NA	
STP908	Cav Grip Spray Gun (with extension)	NA	NA	
STP909	Cav Grip Gun Replacement Tips	NA	NA	
STP904DT	Cav Grip Dual Tip nozzle	NA	NA	
STP904HS	Cav Grip hose splitter	NA	NA	

- *Coverage rates are indicative only. Coverage depends on surface texture and condition
 - Refer Viking Product Data Sheet Cav-Grip III for guidance
 - **NB:** Hose Splitter and Dual Tip nozzle can not be used at the same time

Cav Grip III Acceptable Membranes and Applications

Acceptable Membranes and Applications

Membrane Type	Roof Deck / Field area	Upstands
Enviroclad TPO	✓	✓
Epiclad EPDM	✓	✓
FleeceBACK**	✓**	✓**
Dec-K-ing PVC	✗	✗

- **NB:** Cav Grip III can be used to bond Enviroclad to the surface of Cover Board and Polysio board, but it cannot be used to secure Cover Board to Polysio board or Polysio board to the substrate

- ** Cav grip III can **not** be used over bitumen when installing FBS

