

Viking Enviroclad Membrane



STP100

Enviroclad Membrane (standard white and grey)

Product Code	Description	Colour	Thickness	Width	Length	Weight	M ³	Origin
STP100	Enviroclad	White	1.14mm	3.05m	30.4m	155kg	0.20	USA
STP110	Enviroclad	Grey	1.14mm	3.05m	30.4m	155kg	0.20	USA
STP113*	Enviroclad	Grey	1.14mm	3.66m	30.4m	190kg	0.25	USA
STP114*	Enviroclad	Grey	1.14mm	2.44m	30.4m	130kg	0.17	USA
STP500	Enviroclad	White	1.52mm	3.05m	30.4m	190kg	0.25	USA
STP510	Enviroclad	Grey	1.52mm	3.05m	30.4m	190kg	0.25	USA
STP513*	Enviroclad	Grey	1.52mm	3.66m	30.4m	232kg	0.30	USA
STP514*	Enviroclad	Grey	1.52mm	2.44m	30.4m	155kg	0.20	USA

- Sold in cut lengths – 100mm increments – from 1.0m - 30.4m
- *Sold by full rolls only

Viking Enviroclad APEEL Membrane



STP510A

Enviroclad APEEL Membrane								
Product Code	Description	Colour	Thickness	Width	Length	Weight	M ³	Origin
STP510A	Enviroclad APEEL	Grey	1.52mm	3.05m	30.4m	200kg	0.25	USA
Sold cut-to-length								

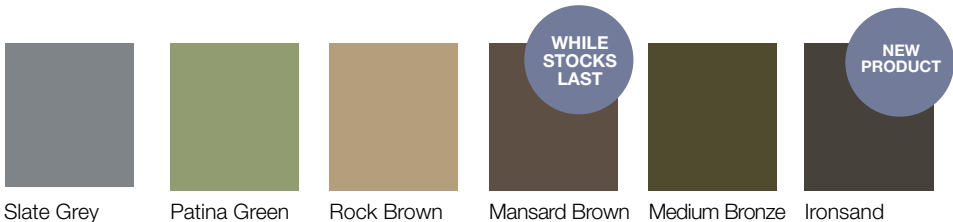
Viking Coloured Enviroclad Membrane



STP517

Coloured Enviroclad								
Product Code	Description	Colour	Thickness	Width	Length	Weight	M ³	Origin
STP516	Enviroclad	Slate Grey	1.52mm	3.05m	30.4m	190kg	0.25	USA
STP517	Enviroclad	Patina Green	1.52mm	3.05m	30.4m	190kg	0.25	USA
STP518	Enviroclad	Rock Brown	1.52mm	3.05m	30.4m	190kg	0.25	USA
STP519*	Enviroclad	Mansard Brown	1.52mm	3.05m	30.4m	190kg	0.25	USA
STP520b	Enviroclad	Ironsand	1.52mm	3.05m	30.4m	190kg	0.25	USA
STP521	Enviroclad	Medium Bronze	1.52mm	3.05m	30.4m	190kg	0.25	USA

- Sold cut-to-length (100mm increments)
- *While stocks last



Slate Grey

Patina Green

Rock Brown

Mansard Brown

Medium Bronze

Ironsand

Viking Enviroclad Accessories



STP000



STP012



STP860



STP870

Adhesive and Sealants

Product Code	Description	Size	Est. Coverage*	Weight	M ³	Origin
STP000	Enviroclad Adhesive	19L	2m ² per litre	18kg	0.03	USA
STP012	Clear Cut Edge Sealant	300ml	-	N/A	N/A	USA
STP860	Universal Single-Ply Sealant	300ml	-	N/A	N/A	USA
STP870	Water Cut Off Mastic	300ml	-	N/A	N/A	USA

*Rates are indicative only. Coverage depends on surface texture and condition

Cav-Grip III Adhesive



STP904



STP905



STP906



STP907



STP908

Cav-Grip III Adhesive

Product Code	Description	Size	Est. Coverage*	Origin
STP904	Cav Grip III	13.6kg	92m ²	USA
STP905	Cav Grip Hose	1.8m	NA	USA
STP905a	Cav Grip Hose	3.6m	NA	USA
STP905b	Cav Grip Hose	5.4m	NA	USA
STP906	Cav Grip Spray Gun (adjustable)	NA	NA	USA
STP907	Untack Cleaning System	5kg	NA	USA
STP908	Cav Grip Spray Gun (with extension)	NA	NA	USA
STP909	Cav Grip Gun Replacement Tips	NA	NA	USA

*Rates are indicative only. Coverage depends on surface texture and condition

Cav Grip III Acceptable Membranes and Applications

Cav Grip III Acceptable Membranes and Applications		
Acceptable Membranes and Applications		
Membrane Type	Roof Deck / Field area	Upstands
Enviroclad TPO	✓	✓
Epiclad EPDM	✓	✓
FleeceBACK	✗	✓
Dec-K-ing PVC	✗	✗

NB: Cav Grip III can be used to bond Enviroclad or Epiclad to the surface of Polysio board, but it cannot be used to secure Polysio board to the substrate

Viking Enviroclad Accessories



VPS100A



VPS100B

Water-based Epoxy

Product Code	Description	Size	Coverage	Origin
VPS100A	Viking Primer Sealer Part A	10L	6 – 8m ² per litre per coat of A+B mixture	NZ
VPS100B	Viking Primer Sealer Part B	10L		NZ
VPS104A	Viking Primer Sealer Part A	4L		NZ
VPS104B	Viking Primer Sealer Part B	4L		NZ

*Rates are indicative only. Coverage depends on surface texture and condition

- Can be used with all membranes except Torch-On
- Apply 2 coats for shower protection and to seal concrete
- Allow 2 hrs drying time above 10°C
- 72 hours curing before applying solvent adhesives

Viking Enviroclad Accessories



STP001

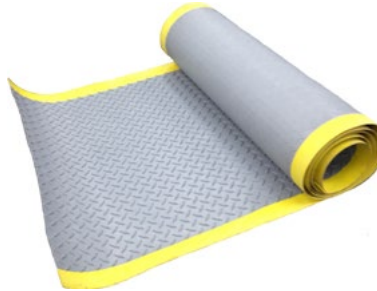


STP480

Membrane Cleaner and Splice Wipes

Product Code	Description	Size	Origin
STP001	Enviroclad Weathered Membrane Cleaner	19L	USA
STP480	Enviroclad Splice Wipes (150)	N/A	USA
To be used with Enviroclad and Epiclad only			

Viking Enviroclad Accessories



STP710

Enviroclad Walkway Roll					
Product Code	Description	Colour	Width	Length	Origin
STP700	Enviroclad Walkway Roll*	White	870mm	15.2m	USA
STP710	Enviroclad Walkway Roll*	Grey	870mm	15.2m	USA
*Sold cut-to-length Refer to Viking Product Data sheet for Enviroclad walkway roll					

Viking Enviroclad Accessories



STP210



STP310



STP410



STP211

Corners and T-Joint Covers

Product Code	Description	Colour	Origin
STP200	Enviroclad Outside Corner Fluted	White	USA
STP210	Enviroclad Outside Corner Fluted	Grey	USA
STP300	Enviroclad Inside Corner	White	USA
STP310	Enviroclad Inside Corner	Grey	USA
STP400	Enviroclad T-joint Cover	White	USA
STP410	Enviroclad T-joint Cover	Grey	USA
STP201	90 Degree Internal/External Corner	White	USA
STP211	90 Degree Internal/External Corner	Grey	USA

Viking Enviroclad Accessories



STP600



STP610

Coloured Non-Reinforced Detailing Material

Product Code	Description	Colour	Width	Length	Origin
STP600	Enviroclad Non-reinforced TPO	White	300mm	15.2m	USA
STP610	Enviroclad Non-reinforced TPO	Grey	300mm	15.2m	USA
STP613	Enviroclad Non-reinforced TPO	Slate Grey	610mm	15.2m	USA
STP614	Enviroclad Non-reinforced TPO	Patina Green	610mm	15.2m	USA
STP615	Enviroclad Non-reinforced TPO	Rock Brown	610mm	15.2m	USA
STP616*	Enviroclad Non-reinforced TPO	Mansard Brown	610mm	15.2m	USA
STP621	Enviroclad Non-reinforced TPO	Medium Bronze	610mm	15.2m	USA
STP620	Enviroclad Non-reinforced TPO	Ironsand	610mm	15.2m	USA

- Sold cut-to-length
- *While stocks last



Slate Grey



Patina Green



Rock Brown



Mansard Brown

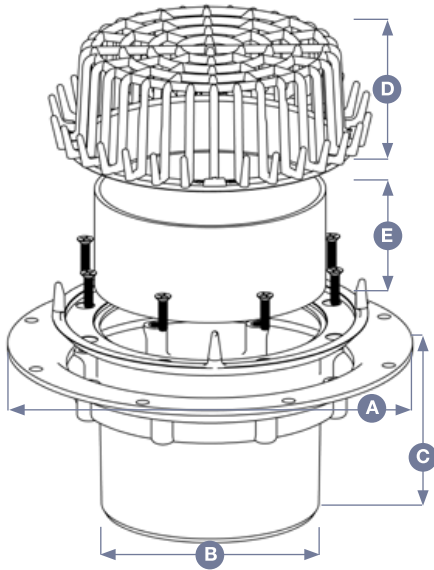


Medium Bronze



Ironsand

Viking Enviroclad Accessories



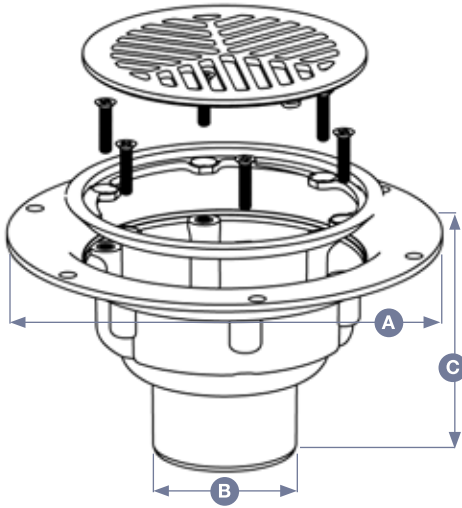
SDM051

Dual-Purpose Drain or Over-flow

	Dimensions	SDM065	SDM049	SDM051	Origin
A	Flange Diameter	170mm	230mm	280mm	NZ
B	Downpipe Diameter	65mm	80 / 100mm	150mm	NZ
C	Drain Depth	80mm	120mm	120mm	NZ
D	Grate Height	33mm	44mm	74mm	NZ
E	Overflow Collar Height	30mm	38mm	69mm	NZ

Can be used with all membrane types

Viking Enviroclad Accessories



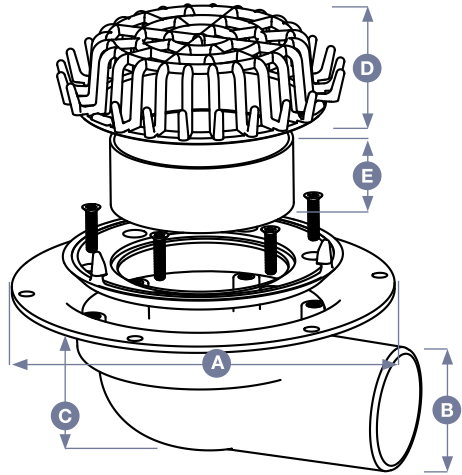
SDM050

Deck Drain with Grill				
	Dimensions	SDM050b	SDM050	Origin
A	Flange Diameter	170mm	230mm	NZ
B	Downpipe Diameter	65mm	80 / 100mm	NZ
C	Drain Depth	80mm	120mm	NZ
Can be used with all membrane types				

Viking Enviroclad Accessories



SDM055



Dual-Purpose Drain or Over-flow Side Exit Pipe

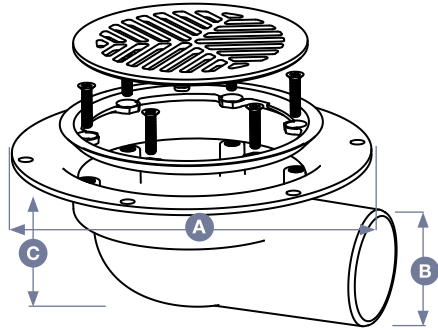
	Dimensions	SDM055	Origin
A	Flange Diameter	230mm	NZ
B	Side Exit Pipe Diameter	80mm	NZ
C	Drain Depth	100mm	NZ
D	Grate Height	44mm	NZ
E	Overflow Collar Height	38mm	NZ

Can be used with all membrane types

Viking Enviroclad Accessories



SDM056

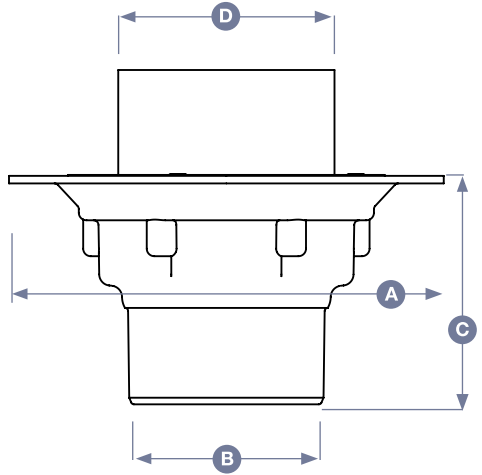


Deck Drain with Side Exit Pipe			
	Dimensions	SDM056	Origin
A	Flange Diameter	230mm	NZ
B	Side Exit Pipe Diameter	80mm	NZ
C	Drain Depth	100mm	NZ
Can be used with all membrane types			

Viking Enviroclad Accessories

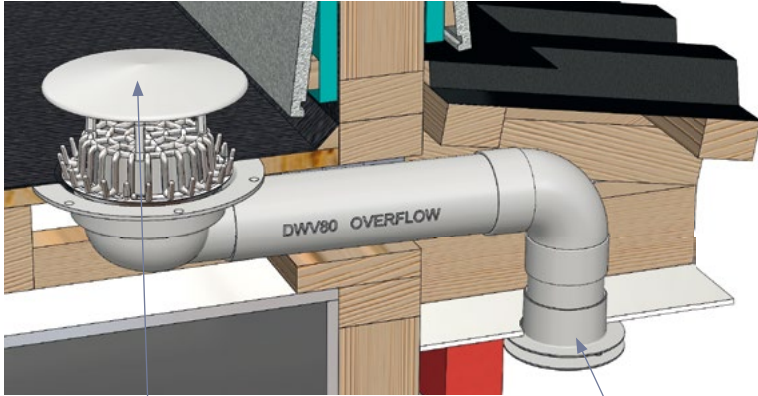


SDM066



Inter-Balcony Drains - Vented					
	Dimensions	SDM066C	SDM066	SDM066A	SDM066B
A	Flange diameter	175mm	175mm	230mm	282mm
B	Outlet Diameter	65mm	80mm	100mm	150mm
C	Drain Depth	75mm	83mm	117mm	118mm
D	Junction Diameter	70mm	83mm	111mm	161mm

Viking Enviroclad Accessories



SDM063



SDM060

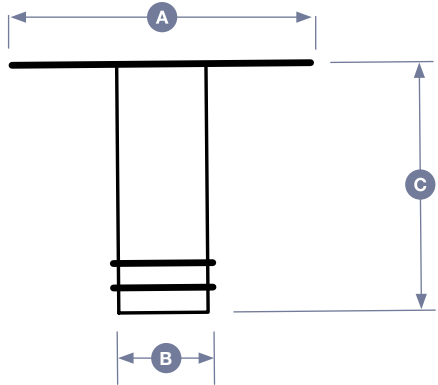
Overflow Soffit Trims and Hats

Product code	Description	Origin
SDM062	Soffit trim 65mm	NZ
SDM060	Soffit Trim 80mm	NZ
SDM061	Soffit Trim 100mm	NZ
SDM064	Overflow Hat 65mm	NZ
SDM063	Overflow Hat 80/100mm	NZ
SDM063b	Overflow Hat 150mm	NZ

Viking Enviroclad Accessories



STP605

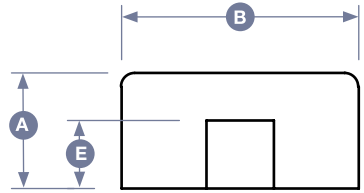


Dropper Drains				
	Dimensions	STP605	STP606	Origin
A	Flange Width	275mm	295mm	Italy
B	Downpipe Diameter	80mm	100mm	Italy
C	Downpipe Length	250mm	250mm	Italy
	Colour	Grey	Grey	Italy
To be used with Enviroclad only				

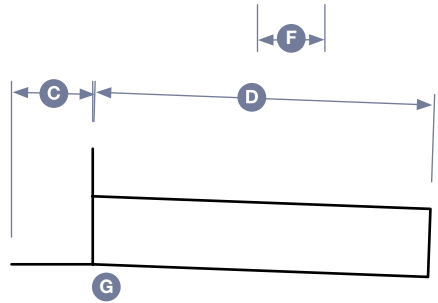
Viking Enviroclad Accessories



STP602



STP603



Scuppers

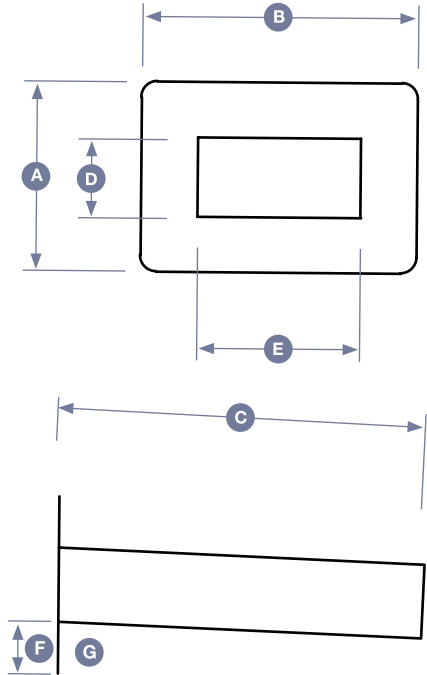
	Dimensions	STP601	STP602	STP603 (E2/AS1 compliant)
A	Face Height	170mm	170mm	125mm
B	Face Width	350mm	350mm	400mm
C	Bottom Face	120mm	120mm	120mm
D	Outlet Length	495mm	495mm	390mm
E	Aperture Height	65mm	100mm	80mm
F	Aperture Width	100mm	100mm	200mm
G	Drain Slope	1°	1°	7°
	Colour	Grey	Grey	Black
	Origin	Italy	Italy	NZ

To be used with Enviroclad only

Viking Enviroclad Accessories

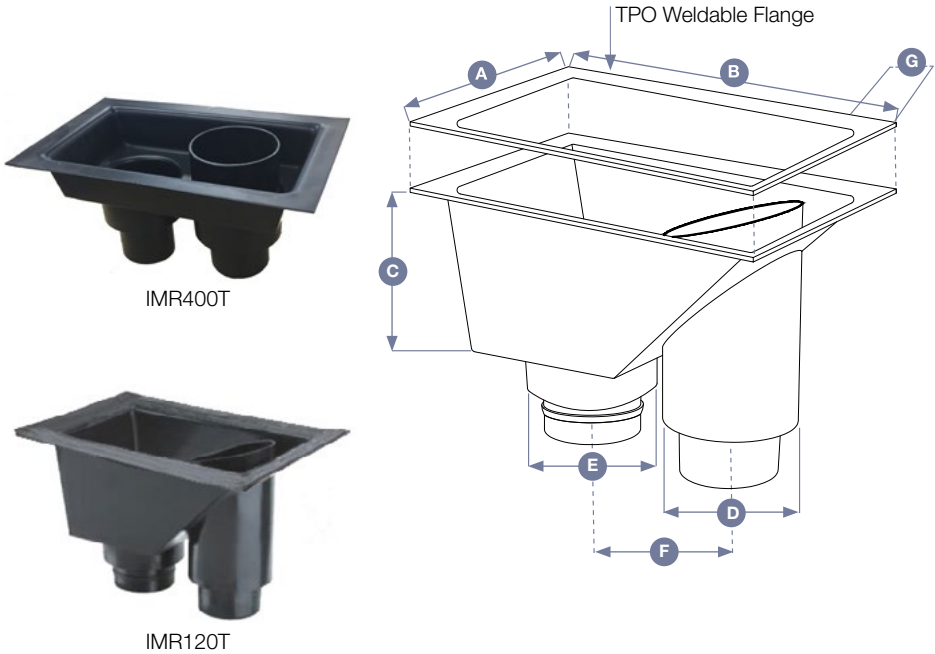


STP604



Overflow			
	Dimensions	STP604	Origin
A	Face Height	170mm	NZ
B	Face Width	400mm	NZ
C	Outlet Length	390mm	NZ
D	Aperture Height	80mm	NZ
E	Aperture Width	200mm	NZ
F	Flange Dimension	45mm	NZ
G	Drain Slope	7°	NZ
	Colour	Black	NZ
To be used with Enviroclad only			

Viking Enviroclad Accessories



Sumps with TPO Weldable Flanges

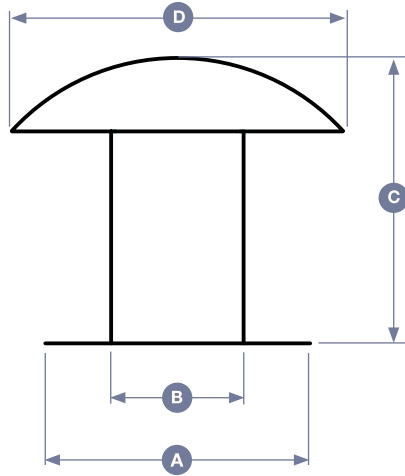
	Dimensions	IMR120T	IMR130T	IMR400T	Origin
A	Overall Width	310mm	410mm	350mm	NZ
B	Overall Length	510mm	620mm	520mm	NZ
C	Depth	200mm	275mm	70mm	NZ
D	Overflow Ø	100 / 150mm	150 / 200mm	100 / 150mm	NZ
E	Main Outlet Ø	100 / 150mm	150 / 200mm	100 / 150mm	NZ
F	Outlet Position	170mm	250mm	185mm	NZ
G	Flange Width	50mm	50mm	50mm	NZ

Can be used with Enviroclad only

Viking Enviroclad Accessories



IMV113

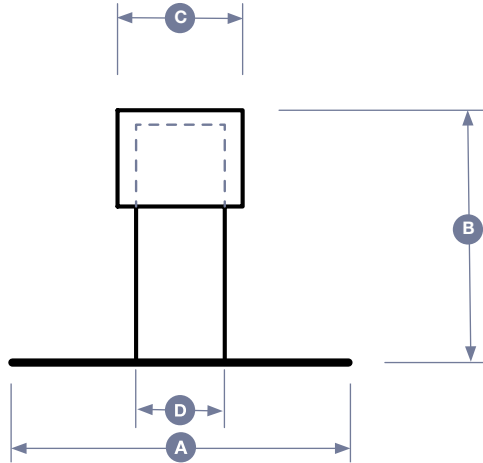


Roof Vents				
	Description	IMV111	IMV113	Origin
A	Flange Diameter	200mm	200mm	NZ
B	Vent Diameter	100mm	100mm	NZ
C	Vent Height	215mm	120mm	NZ
D	Cap Diameter	250mm	250mm	NZ
	Cap Colour	Grey*	Grey*	NZ
<ul style="list-style-type: none"> - Can be used with all membrane types except Dec-K-ing - *If white or black domes are required, please inform Customer Services 				

Viking Enviroclad Accessories



STP607



Roof Vent			
	Dimensions	STP607	Origin
A	Flange Width	280mm	Italy
B	Vent Height	310mm	Italy
C	Cap Diameter	104mm	Italy
D	Vent Diameter	75mm	Italy
	Colour (with black cap)	Grey	Italy
Can be used with Enviroclad and Viking Rubber Membranes only			

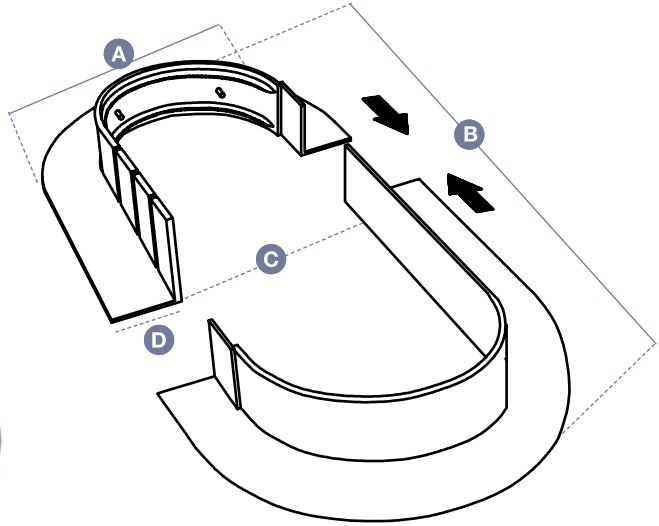
Viking Enviroclad Accessories



STP460



STP450



Pourable Pockets and Pourable Sealant

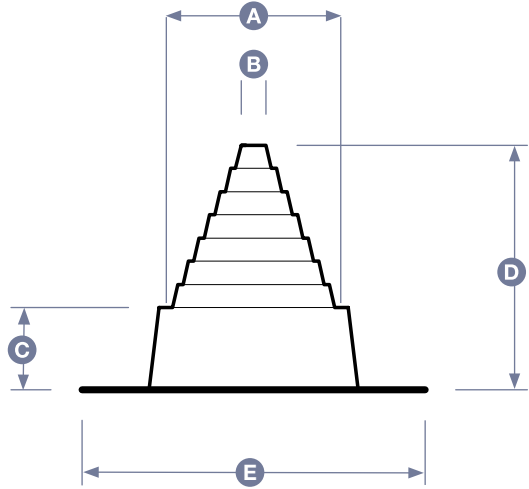
	Dimensions	STP440	STP450	STP460	Origin
A	Overall Width	250mm	250mm	n/a	USA
B	Overall Length (Closed)	410mm	410mm	n/a	USA
C	Inside Width	150mm	150mm	n/a	USA
D	Flange Width	50mm	50mm	n/a	USA
	Colour	White	Grey	White	USA
	Sealant Coverage	N/A	N/A	1.5 – 2 pockets	USA

Can be used with Enviroclad only
Temperature of penetration shall not exceed 70°C

Viking Enviroclad Accessories



STP430



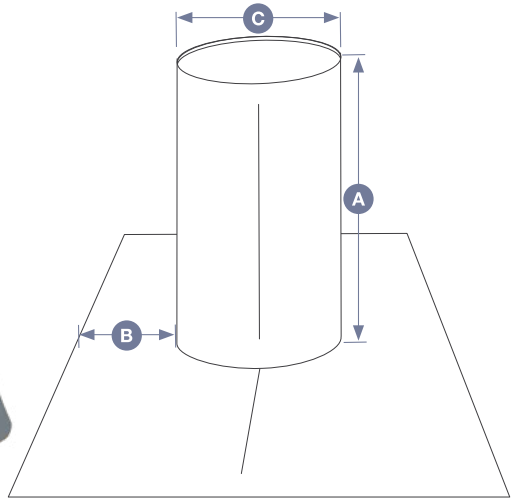
Pipe Seals				
	Dimensions	STP420	STP430	Origin
A	Biggest Penetration	205mm	205mm	USA
B	Smallest Penetration	19mm	19mm	USA
C	Minimum Height	80mm	80mm	USA
D	Maximum Height	240mm	240mm	USA
E	Flange	334mm	334mm	USA
	Colour	White	Grey	USA

Can be used with Enviroclad only
 Temperature of penetration shall not exceed 70°C

Viking Enviroclad Accessories

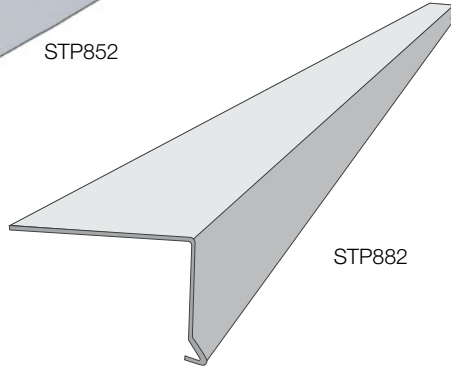


STP830



Split Pipe Boot				
Product Code	Dimensions			Colour
	A	B	C	
STP830	203mm	127mm	80mm	Grey
STP831	203mm	127mm	100mm	Grey
Can be used with Enviroclad only Temperature of penetration shall not exceed 70°C				

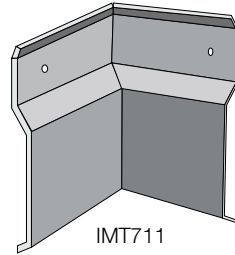
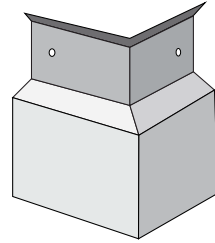
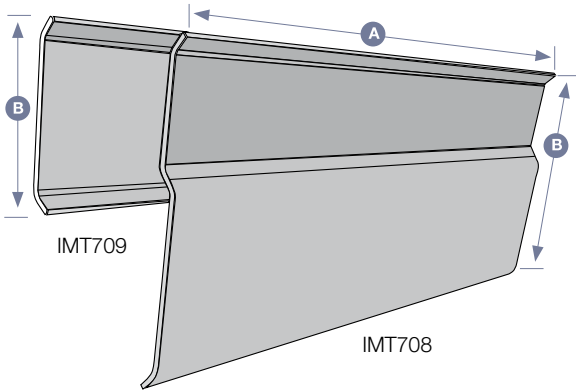
Viking Enviroclad Accessories



TPO Coated Metal & Aluminium Drip-edge

Product Code	Description	Colour	Dimensions	Origin
STP852	TPO Coated Aluminium (1.6mm)	Grey	1.2m x 3.0m	USA
STP882	TPO Coated Alum. Drip edge	Grey	100mm x 65mm x 3.0m	USA

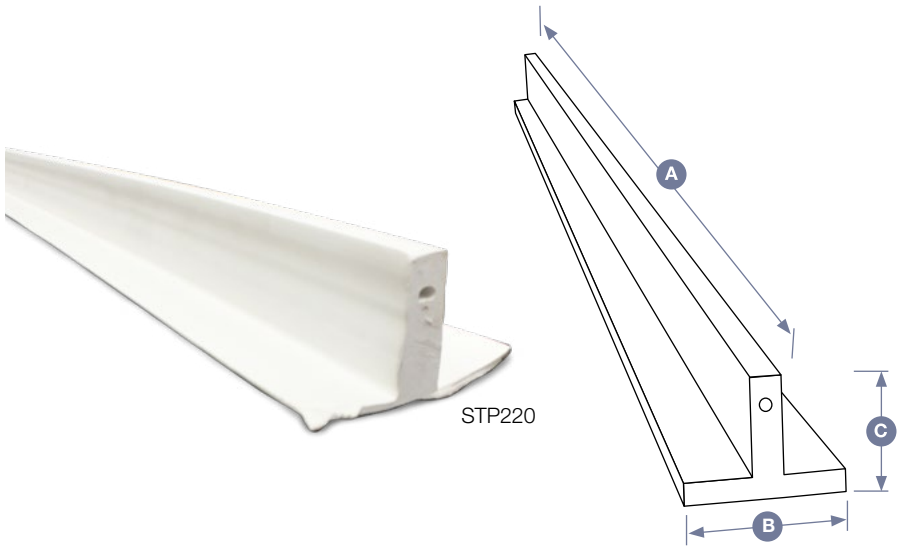
Viking Enviroclad Accessories



Edge Fasteners and Pressure Bars

Product Code	Description	Finish	Dimensions	
			A	B
IMT708	Termination Flashing Cover Plate	Aluminium	2400mm	140mm
IMT709	Pressure Bar	Aluminium	2400mm	65mm
IMT710	External Corner	Aluminium	N/A	N/A
IMT711	Internal Corner	Aluminium	N/A	N/A
SDF110	Dual Purpose edge fastener	Grey(alum)	2400mm	25mm

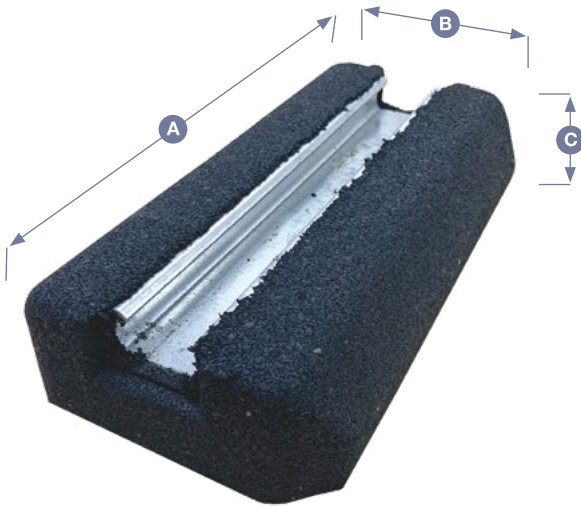
Viking Enviroclad Accessories



TPO Weldable Rib					
Product Code	Description	A	B	C	Origin
STP220	TPO Weldable Rib (White)	3.05m	53mm	31mm	USA
STP221	TPO Weldable Rib (Grey)	3.05m	53mm	31mm	USA
STP222	TPO Weldable Rib (Mansard Brown)	3.05m	53mm	31mm	USA
STP222a	TPO Weldable Rib (Patina Green)	3.05m	53mm	31mm	USA
STP222b	TPO Weldable Rib (Rock Brown)	3.05m	53mm	31mm	USA
STP222c	TPO Weldable Rib (Slate Grey)	3.05m	53mm	31mm	USA
STP222d	TPO Weldable Rib (Medium Bronze)	3.05m	53mm	31mm	USA

NB: Ribs not available for the Ironsand coloured membrane - closest colour to Ironsand is Medium Bronze

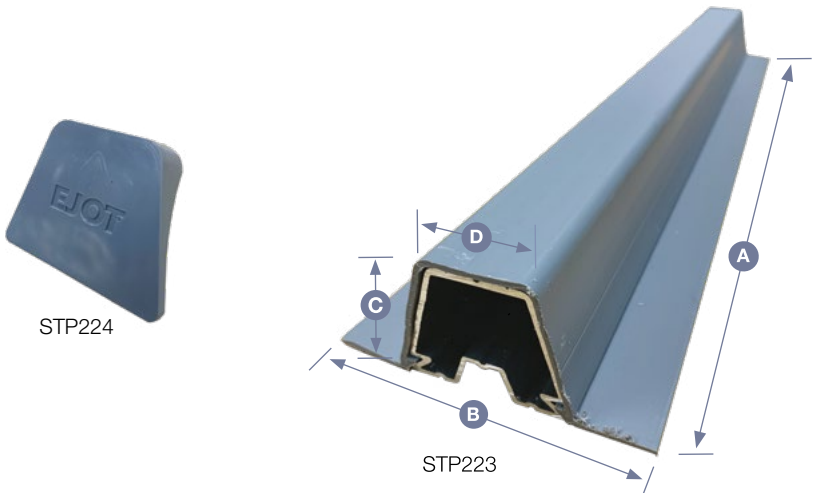
Viking Enviroclad Accessories



ACM250

Acoustic Mounting Block					
Product Code	Description	A	B	C	Origin
ACM250	Acoustic Mounting Block	250mm	130mm	50mm	NZ
ACM400	Acoustic Mounting Block	400mm	130mm	50mm	NZ
Can be used with all membrane types					

Viking Enviroclad Accessories



Ejot Mounting Bar					
Product Code	Description	A	B	C	D
STP223	Mounting Bar	3000mm	100mm	40mm	30mm
STP224	End Cap	NA			
- For Enviroclad only					

Viking Enviroclad Accessories



SDM140



SDM163



SDM137

Welding Tools

Product Code	Description	Amp	Origin
SDM140	Leister Hand Welder	7 amp	Switzerland
SDM137	Leister Uniroof 'E' Welder	13 amp	Switzerland
SDM163	Leister Uni Drive 500	10 amp	Switzerland

Viking Enviroclad Accessories



LEIST 1

Welding Tool Kits		
Product Code	Description	Origin
LEIST 1	Leister Hand Welder (7 amp) with: 40mm roller; brass roller; 40mm and 20mm nozzles; seam probe and carry case	Switzerland
LEIST 2	Leister Hand Welder (7 amp with digital reading) with: 40mm roller; brass roller; 40mm nozzle and carry case	Switzerland
LEIST 3	Leister Hand Welder (7 amp with digital reading) with: 40mm roller; brass roller, 40mm and 20mm nozzles; seam probe and carry case	Switzerland

Viking Enviroclad Accessories



SDM145



SDM146



SDM147



SDM148



SDM149



SDM151

Welding Nozzles

Product Code	Description	Width and angle	Origin
SDM145	Nozzle	20mm Standard	Switzerland
SDM146	Nozzle	20mm 120°	Switzerland
SDM147	Nozzle	20mm 60°	Switzerland
SDM148	Nozzle	40mm 60°	Switzerland
SDM149	Nozzle	40mm Standard	Switzerland
SDM151	Nozzle	20mm 90°	Switzerland

Viking Enviroclad Accessories



SDM153



SDM155



SDM157



STP880

Welding Rollers and Seam Probe

Product Code	Description	Origin
SDM153	Brass Pressure Roller	Switzerland
SDM155	Silicone Pressure Roller 40mm	Switzerland
SDM157	PTFE Pressure Roller (Blue 25mm)	Switzerland
STP880	Seam Probe	USA

Viking Enviroclad Accessories



VWR005

Mechanical Fastening Systems

Product Code	Description	Size	Origin
VWR001	Ply Fasteners	50mm	USA
VWR002	Ply Fasteners	76mm	USA
VWR003	Ply Fasteners	100mm	USA
VWR004	Membrane Piranha Plates	60mm dia	USA
VWR005	Rhino Bond Plates	80mm dia	USA
VWR007	Concrete Fasteners	50mm	USA
VWR008	Concrete Fasteners	76mm	USA
VWR009	Concrete Fasteners	100mm	USA

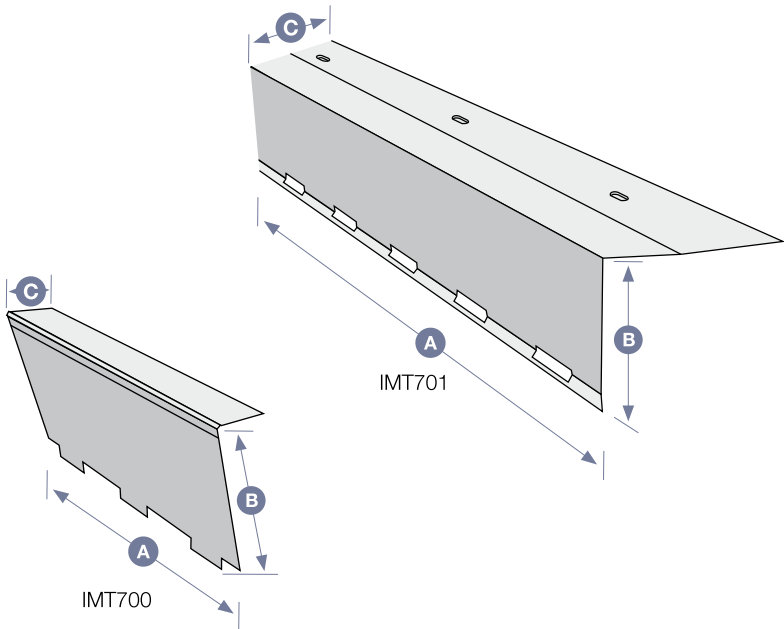
Viking Enviroclad Accessories



SRG003C

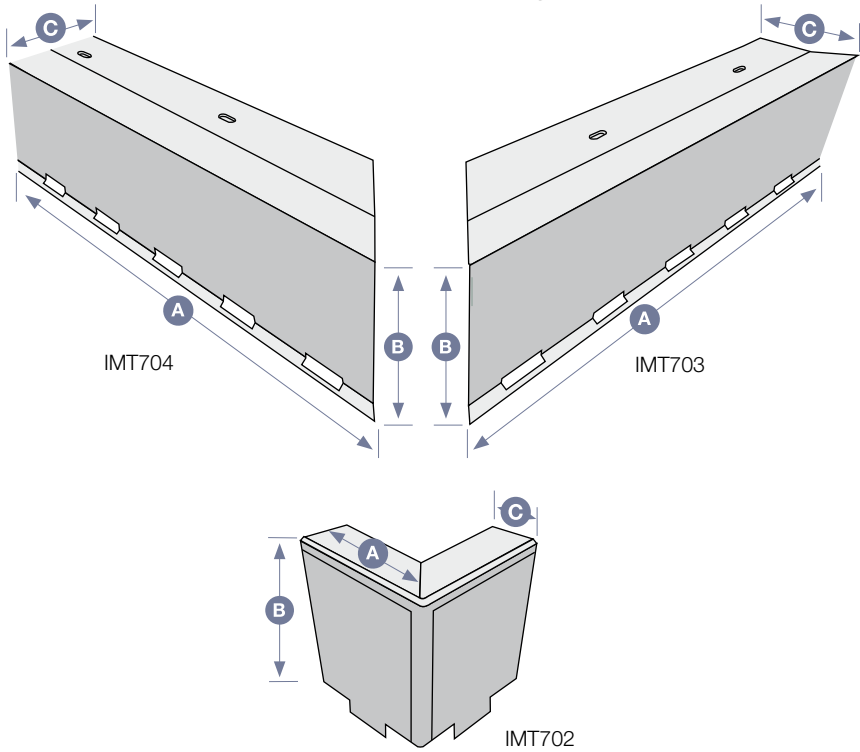
Membrane Protection Mat			
Product Code	Description	Size	Origin
SRG003C	Membrane Protection Mat*	4.0m wide	USA
<ul style="list-style-type: none"> - To be used with all Membranes - *Sold cut-to-length 			

Architectural Finishing Series



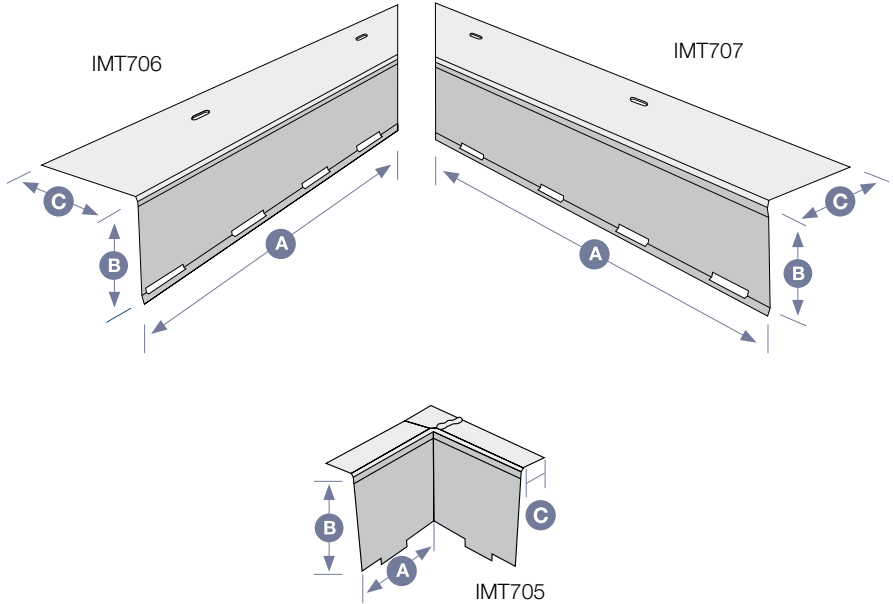
Straight Flashing					
Product Code	Description	Finish	Dimensions		
			A	B	C
IMT700	Straight Cover	1.6mm Alum. mill Finish	2400mm	103mm	92mm
IMT701	Straight Base	1.6mm Alum. mill Finish	2400mm	110mm	32mm

Architectural Finishing Series



External Corner					
Product Code	Description	Finish	Dimensions		
			A	B	C
IMT702	External Cnr Cover	1.6mm Alum. mill Finish	88mm	110mm	32mm
IMT703	LH External Cnr Base	1.6mm Alum. mill Finish	487mm	103mm	92mm
IMT704	RH External Cnr Base	1.6mm Alum. mill Finish	487mm	103mm	92mm

Architectural Finishing Series



Internal Corner					
Product Code	Description	Finish	Dimensions		
			A	B	C
IMT705	Internal Cnr Cover	1.6mm Alum. mill Finish	90mm	110mm	32mm
IMT706	LH External Cnr Base	1.6mm Alum. mill Finish	487mm	103mm	92mm
IMT707	RH External Cnr Base	1.6mm Alum. mill Finish	487mm	103mm	92mm

Viking Enviroclad F.B.S. Membrane

NB: Aside from the specialised adhesives required for adhering Enviroclad F.B.S. membrane (shown on the next couple of pages), all of the accessories used with Enviroclad membrane displayed on the previous pages, apply to Enviroclad F.B.S. membranes as well



STP204

Enviroclad F.B.S. Membrane								
Product Code	Description	Colour	Thickness Inc. Fleece	Width	Length	Weight	M ³	Origin
STP204	Enviroclad F.B.S.	Grey	2.52mm	3.6m	30.4m	175kg	0.33	USA
STP205	Enviroclad F.B.S.	White	2.52mm	3.6m	30.4m	175kg	0.33	USA

Viking Enviroclad F.B.S. Accessories



STP900B



STP912

Pneumatic Caulking Gun, F.A.S.T Adhesive and Accessories

Product Code	Description	Origin
STP900B	Flexible F.A.S.T. Adhesive Dual Cartridge, 1.5 litre set, 750ml A+B (Coverage 7 – 10m ² cartridge). Allow one set per three sheets of PIR Polyiso	USA
STP911	Dual Cartridge Manual Caulking Gun (Long)	USA
STP912	Dual Cartridge Manual Caulking Gun (Short)	USA

To be used with Enviroclad F.B.S., Epiclad F.B.S. and Polyiso insulation panels