



SBR100V

Butylclad (Full Length)

Product Code	Description	Colour	Thickness	Width	Length	Weight	M ³	Stocked In
SBR100V	Butylclad	Black	1.0mm	1350mm	25m	44kg	0.05	AK, WN, ChC
SBR500V	Butylclad	Black	1.5mm	1350mm	20m	58kg	0.05	
SBR110V	Butylclad	Grey	1.0mm	1350mm	25m	44kg	0.05	
SBR510V	Butylclad	Grey	1.5mm	1350mm	20m	58kg	0.05	

[back to contents](#)

Rubber Membranes (Short Length)								
Product Code	Description	Colour	Thickness	Width	Length	Weight	M ³	Stocked In
SBR095V	Butylclad Shorts	Black	1.0mm	1350mm	5m	10kg	0.01	AK, ChC
SBR097V	Butylclad Shorts	Black	1.0mm	1350mm	10m	19kg	0.02	AK, ChC
SBR098V	Butylclad Shorts	Black	1.0mm	1350mm	15m	27kg	0.03	AK, ChC
SBR099V	Butylclad Shorts	Black	1.0mm	1350mm	20m	36kg	0.04	AK, ChC
SBR105V	Butylclad Shorts	Grey	1.0mm	1350mm	5m	10kg	0.01	AK, ChC
SBR107V	Butylclad Shorts	Grey	1.0mm	1350mm	10m	19kg	0.02	AK, ChC
SBR108V	Butylclad Shorts	Grey	1.0mm	1350mm	15m	27kg	0.03	AK, ChC
SBR109V	Butylclad Shorts	Grey	1.0mm	1350mm	20m	36kg	0.04	AK, ChC
SBR495V	Butylclad Shorts	Black	1.5mm	1350mm	5m	14kg	0.02	AK, ChC
SBR497V	Butylclad Shorts	Black	1.5mm	1350mm	10m	27kg	0.03	AK, ChC
SBR498V	Butylclad Shorts	Black	1.5mm	1350mm	15m	41kg	0.04	AK, ChC
SBR505V	Butylclad Shorts	Grey	1.5mm	1350mm	5m	14kg	0.02	AK, ChC
SBR507V	Butylclad Shorts	Grey	1.5mm	1350mm	10m	27kg	0.03	AK, ChC
SBR508V	Butylclad Shorts	Grey	1.5mm	1350mm	15m	41kg	0.04	AK, ChC

The availability of short rolls fluctuates (Viking Roofspec's goal is to have none). Please check availability before submitting your tender. Viking Roofspec will not be held accountable if the short rolls you require at the time of purchase are out of stock



SBA000



*SES225

BMA Adhesive and Solvent

Product Code	Description	Size	Est. Coverage**	Weight	M ³	Stocked In
SBA000	Butylclad Adhesive	20L	2m ² per litre	18kg	0.03	AK, WN, ChC
SES225	Viking Solvent*	20L	N/A	18kg	0.03	

- *To be used with Rubber Membranes only
- **Coverage rates are indicative only. Coverage depends on surface texture and condition
- Substrate Primer coat 1:1 mix of SBA000 and SES225



SEE203

Epiclad EPDM Membrane								
Product Code	Description	Colour	Thickness	Width	Length	Weight	M ³	Stocked In
SEE203	Epiclad EPDM	Black	1.14mm	3.0m	15.2m	70kg	0.12	AK, ChC
SEE206	Epiclad EPDM	Black	1.14mm	6.0m	15.2m	140kg	0.18	
SEE503	Epiclad EPDM	Black	1.52mm	3.0m	15.2m	99kg	0.20	
SEE506	Epiclad EPDM	Black	1.52mm	6.0m	15.2m	196kg	0.24	



SEA200



*SES225

Adhesive and Solvent

Product Code	Description	Size	Est. Coverage**	Weight	M ³	Stocked In
SEA200	Epiclad Adhesive	19L	2m ² per litre	18kg	0.03	AK, WN, ChC
SES225	Viking Solvent*	20L	N/A	18kg	0.03	

- *To be used with Rubber Membranes only
 - **Coverage rates are indicative only. Coverage depends on surface texture and condition
 - Substrate Primer coat 1:1 mix of SEA200 and SES225



SES012A



SEC034



SEC036

DISCONTINUED
PRODUCT



MCD030

Sealant, Lap Seam Primer, Toluene and Punch n Pour tap				
Product Code	Description	Size	Coverage	Stocked In
SES012A	Sealant Rubber Black	300ml	7 L/M at 6mm bead	AK, WN, ChC
SEC034	Lap Seam Primer	950ml	25 L/M of lap per tin	
SEC036	Punch n Pour Tap	n/a	n/a	AK
MCD030	Toluene Cleaning Agent	4 Litre	–	



VPS100C & VPS100C1



VPS100A



VPS100B

Attention: Activator recommended for installations in cold conditions.
Call 0800 729 799 for more information.

Water-based Epoxy

Product Code	Description	Size	Est. Coverage*	Stocked In
VPS100A	Viking Primer Sealer Part A	10L	6 – 8m ² per litre per coat of A+B mixture	AK, WN, ChC
VPS100B	Viking Primer Sealer Part B	10L		
VPS104A	Viking Primer Sealer Part A	4L		AK, ChC
VPS104B	Viking Primer Sealer Part B	4L		
VPS100C	Activator	1kg	100ml to 1 litre of mix	
VPS100C1	Quick set liquid	100ml	10-20ml to 1 litre of Part A	

- *Coverage rates are indicative only. Coverage depends on surface texture and condition
- Can be used with all membranes except Torch-On
- Apply 2 coats for shower protection and to seal concrete
- Allow 2 hrs drying time above 10°C
- 72 hours curing before applying solvent adhesives



STP904



STP907



STP904HS



STP905



STP906



STP904DT

Cav-Grip III Adhesive

Product Code	Description	Size	Est. Coverage*	Stocked In
STP904	Cav Grip III	13.6kg	92m ²	AK, WN, ChC
STP905	Cav Grip Hose	1.8m	NA	AK, WN, ChC
STP905A	Cav Grip Hose	3.6m	NA	AK, WN, ChC
STP905B	Cav Grip Hose	5.4m	NA	AK, WN, ChC
STP906	Cav Grip Spray Gun (adjustable)	NA	NA	AK, WN, ChC
STP907	Untack Cleaning System	5kg	NA	AK, WN, ChC
STP908	Cav Grip Spray Gun (with extension)	NA	NA	AK, WN, ChC
STP909	Cav Grip Gun Replacement Tips	NA	NA	AK, WN, ChC
STP904DT	Cav Grip Dual Tip nozzle	NA	NA	AK, WN, ChC
STP904HS	Cav Grip hose splitter	NA	NA	AK, WN, ChC

- *Coverage rates are indicative only. Coverage depends on surface texture and condition
- Refer Viking Product Data Sheet Cav-Grip III for guidance
- **NB:** Hose Splitter and Dual Tip nozzle can not be used at the same time

Cav Grip III Acceptable Membranes and Applications

Acceptable Membranes and Applications

Membrane Type	Roof Deck / Field area	Upstands
Enviroclad TPO	✓	✓
Epiclad EPDM	✓	✓
FleeceBACK**	✓**	✓**
Dec-K-ing PVC	✗	✗

- **NB:** Cav Grip III can be used to bond Enviroclad to the surface of Cover Board and Polysio board, but it cannot be used to secure Cover Board to Polysio board or Polysio board to the substrate
- ** Cav grip III can **not** be used over bitumen when installing FBS



SMT076V



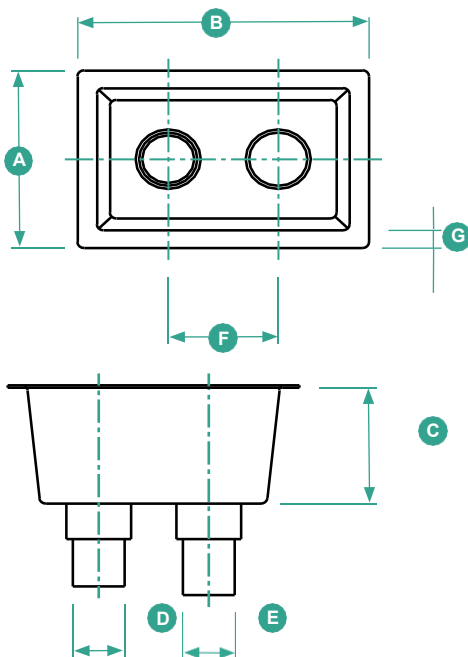
SET153

Self-adhesive Lap Tape and Flashing Tape

Product Code	Description	Colour	Width	Length	Stocked In
SMT076V	Lap Tape	N/A	76mm	30.4m	AK, WN, ChC
SET153	Flashing Tape	Black	150mm	30.4m	



IMR100



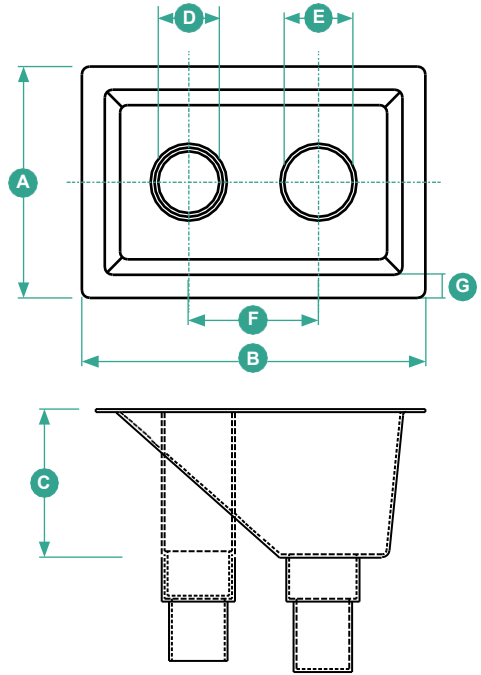
Sump for 75mm and 100mm Pipes

	Dimensions	IMR100	Stocked In
A	Overall Width	300mm	AK, WN, ChC
B	Overall Length	450mm	
C	Depth	164mm	
D	Overflow Ø	75 / 100mm	
E	Main Outlet Ø	75 / 100mm	
F	Outlet Position	150mm	
G	Flange Width	30mm	

To be used with rubber membranes only



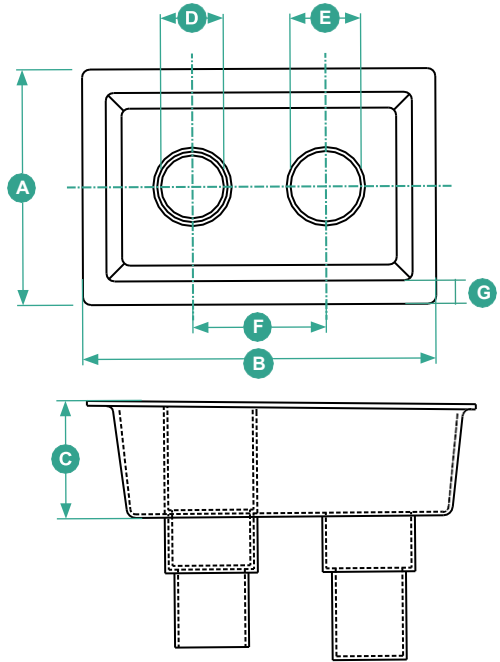
IMR120



Larger Sumps				
	Dimensions	IMR120	IMR130	Stocked In
A	Overall Width	300mm	380mm	AK, WN, ChC
B	Overall Length	450mm	580mm	
C	Depth	200mm	275mm	
D	Overflow Ø	100 / 150mm	150 / 200mm	
E	Main Outlet Ø	100 / 150mm	150 / 200mm	
F	Outlet Position	170mm	250mm	
G	Flange Width	30mm	30mm	
To be used with rubber membranes only				

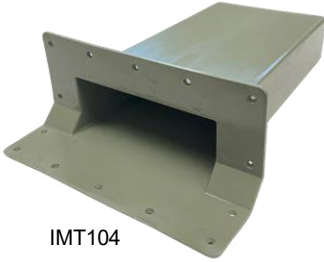


IMR400

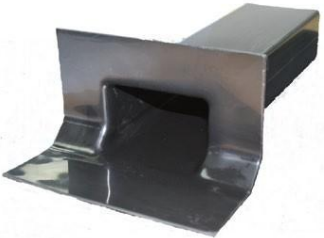
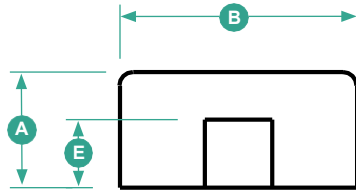


Shallow Sump

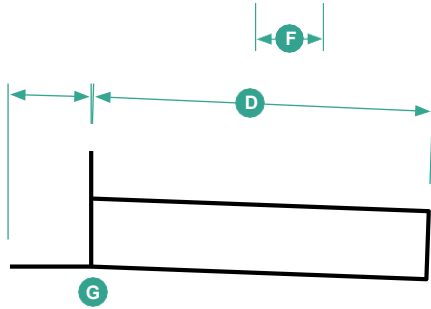
	Dimensions	IMR400	Stocked In
A	Overall Width	292mm	AK, WN, ChC
B	Overall Length	475mm	
C	Depth	70mm	
D	Overflow Ø	100 / 150mm	
E	Main Outlet Ø	100 / 150mm	
F	Outlet Position	185mm	
G	Flange Width	40mm	
To be used with rubber membranes only			



IMT104



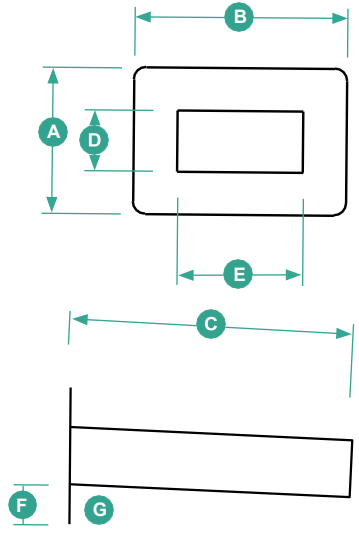
IMT106



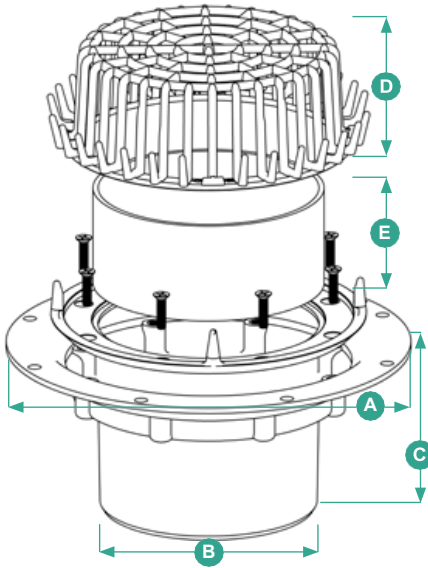
Scuppers				
	Dimensions	IMT104 (E2/AS1 Compliant)	IMT106	Stocked In
A	Face Height	130mm	110mm	AK, ChC
B	Face Width	310mm	200mm	
C	Bottom Face	95mm	95mm	
D	Outlet Length	385mm	350mm	
E	Aperture Height	75mm	70mm	
F	Aperture Width	205mm	100mm	
G	Drain slope	1°	1°	
	Colour	Grey	Black	
To be used with rubber membranes only				



STP604



Overflow			
	Dimensions	STP604	Stocked In
A	Face Height	180mm	AK, WN, ChC
B	Face Width	310mm	
C	Outlet Length	380mm	
D	Aperture Height	75mm	
E	Aperture Width	200mm	
F	Flange Dimension	55mm	
G	Drain Slope	1°	
	Colour	Grey	
This item is compatible with rubber membranes and Enviroclad TPO			

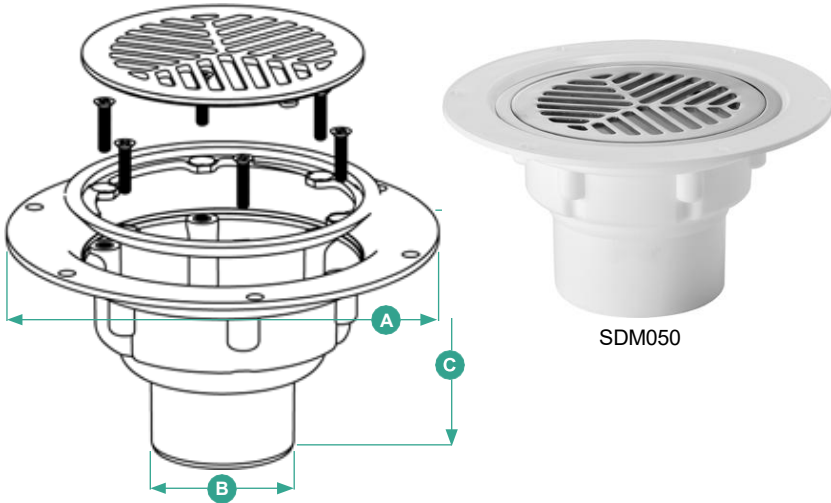


SDM051

Multi-Purpose Drain or Over-flow

	Dimensions	SDM065	SDM049	SDM051	Stocked In
A	Flange Diameter	170mm	230mm	280mm	AK, WN, ChC
B	Downpipe Diameter	65mm	80 / 100mm	150mm	
C	Drain Depth	80mm	120mm	120mm	
D	Grate Height	33mm	44mm	74mm	
E	Overflow Collar Height	30mm	38mm	69mm	

Can be used with all membrane types



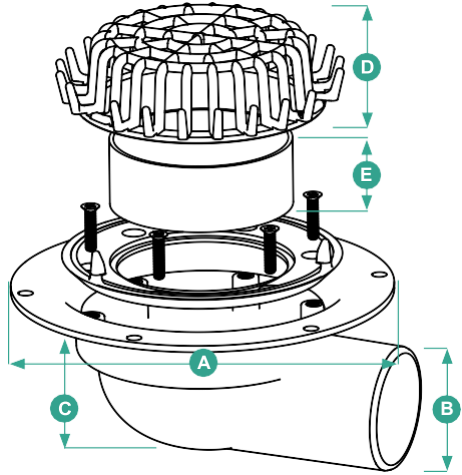
Deck Drain with Grill

	Dimensions	SDM050b	SDM050	Stocked In
A	Flange Diameter	170mm	230mm	AK, WN, ChC
B	Downpipe Diameter	65mm	80 / 100mm	
C	Drain Depth	80mm	120mm	

Can be used with all membrane types



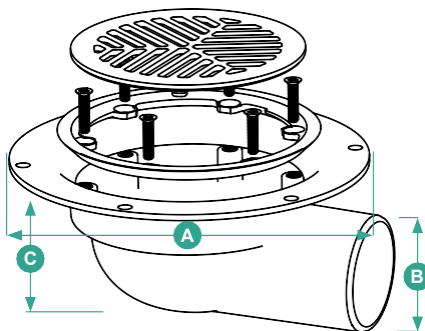
SDM055



Multi-Purpose Drain or Over-flow Side Exit Pipe			
	Dimensions	SDM055	Stocked In
A	Flange Diameter	230mm	AK, WN, ChC
B	Side Exit Pipe Diameter	80mm	
C	Drain Depth	100mm	
D	Grate Height	44mm	
E	Overflow Collar Height	38mm	
Can be used with all membrane types			



SDM056



Deck Drain with Side Exit Pipe

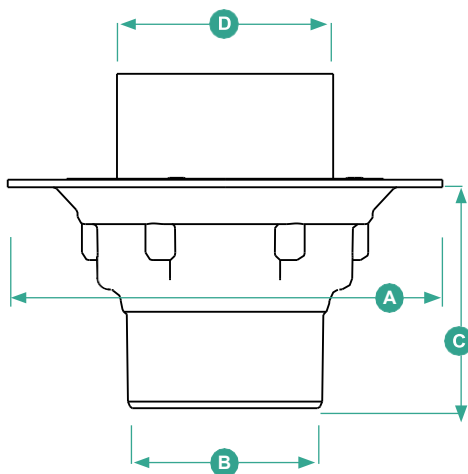
	Dimensions	SDM056	Stocked In
A	Flange Diameter	230mm	AK, WN, ChC
B	Side Exit Pipe Diameter	80mm	
C	Drain Depth	100mm	
Can be used with all membrane types			



SDM066C2



SDM066

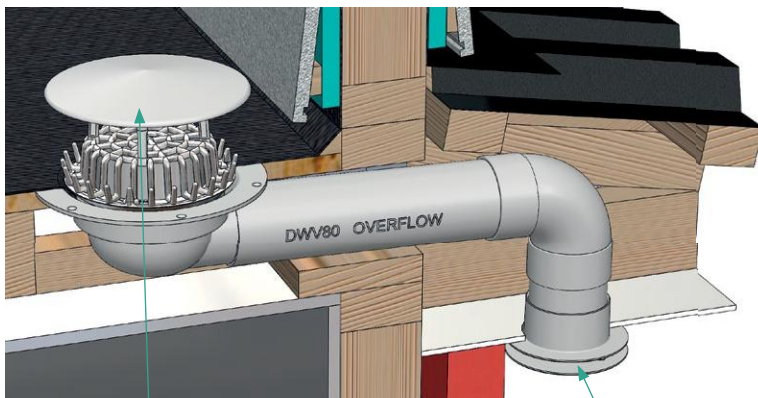


Inter-balcony Drains-Vented

	Dimensions	SDM066C	SDM066	SDM066A	SDM066B	Stocked In
A	Flange Diameter	175mm	175mm	230mm	282mm	AK, WN, ChC
B	Outlet Diameter	65mm	80mm	100mm	150mm	
C	Drain Depth	75mm	83mm	117mm	118mm	
D	Junction Diameter	70mm	83mm	111mm	161mm	

Inter-balcony Drains-Non vented

	Dimensions	SDM065C1	SDM066C2	SDM066D	Stocked In
A	Flange Diameter	175mm	175mm	230mm	AK, WN, ChC
B	Outlet Diameter	65mm	80mm	100mm	
C	Drain Depth	75mm	83mm	117mm	
D	Junction Diameter	70mm	83mm	111mm	



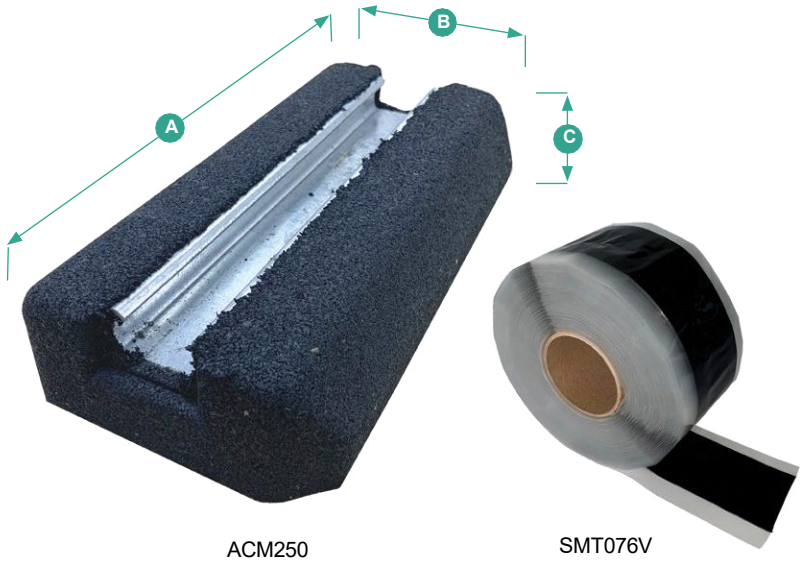
SDM063



SDM060

Overflow Soffit Trims and Hats

Product code	Description	Stocked In
SDM062	Soffit Trim 65mm	AK, WN, ChC
SDM060	Soffit Trim 80mm	
SDM061	Soffit Trim 100mm	
SDM064	Overflow Hat 65mm	
SDM063	Overflow Hat 80/100mm	
SDM063B	Overflow Hat 150mm	



ACM250

SMT076V

Acoustic Mounting Block					
Product Code	Description	A	B	C	Stocked In
ACM250	Acoustic Mounting Block	250mm	130mm	50mm	AK, WN, ChC
ACM400	Acoustic Mounting Block	400mm	130mm	50mm	
Can be used with all membrane types except Torch-On					

Self-adhesive Lap Tape*					
Product Code	Description	Colour	Width	Length	Stocked In
SMT076V	Lap Tape	N/A	76mm	30.4m	AK, WN, ChC
*To bond the base of the mounting block to the membrane pre-primed with SEC034 primer (wind uplift report available if required)					

☎ 0800 729 799 ✉ info@vikingroofspect.co.nz

[back to contents](#)



IMT302



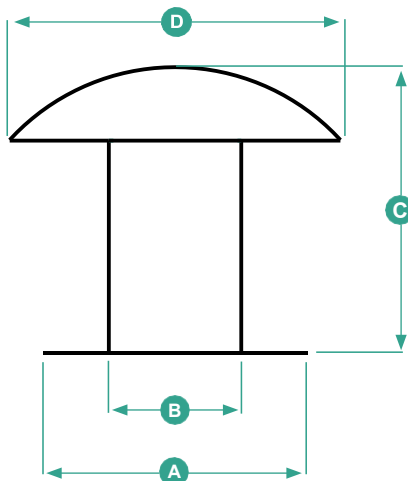
IMT304

Leaf / Gravel Grates

Product Code	Description	Colour	Pipe Size	Stocked In
IMT302	Leaf Grate	Black	60 – 200mm	AK, ChC
IMT304	Leaf Grate	Black	75 – 125mm	
Can be used with all membrane types				



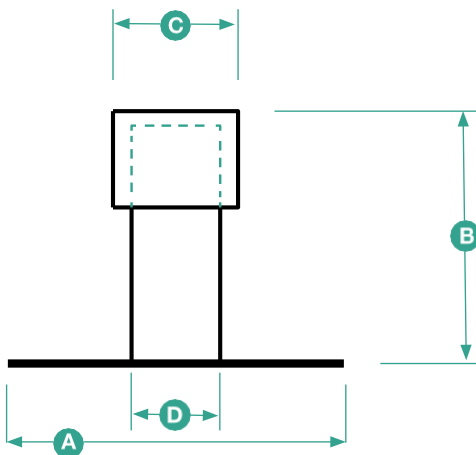
IMV113



Roof Vents				
	Dimensions	IMV111	IMV113	Stocked In
A	Flange Diameter	200mm	200mm	AK, WN, ChC
B	Vent Diameter	100mm	100mm	
C	Vent Height	215mm	120mm	
D	Cap Diameter	250mm	250mm	
	Cap Colour	Grey*	Grey*	
<ul style="list-style-type: none"> - Can be used with all membrane types except Dec-K-ing - *If black domes are required, please inform Customer Services 				



STP607



Roof Vent			
	Dimensions	STP607	Stocked In
A	Flange Width	280mm	AK, WN, ChC
B	Vent Height	310mm	
C	Cap Diameter	104mm	
D	Vent Diameter	75mm	
	Colour (with black cap)	Grey	
To be used only with Enviroclad and rubber membranes			



IMT602

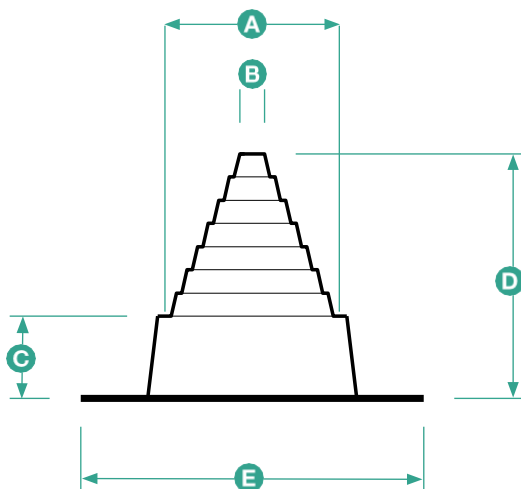
IMT601

Kick-out Flashings

Product Code	Description	Colour	Dimensions	Stocked In
IMT601	Kick-out Flashing (Right)	Charcoal	250mm x 170mm x 140mm	AK, WN, ChC
IMT602	Kick-out Flashing (Left)	Charcoal	250mm x 170mm x 140mm	
Rubber membrane to be laptaped to these diverters				



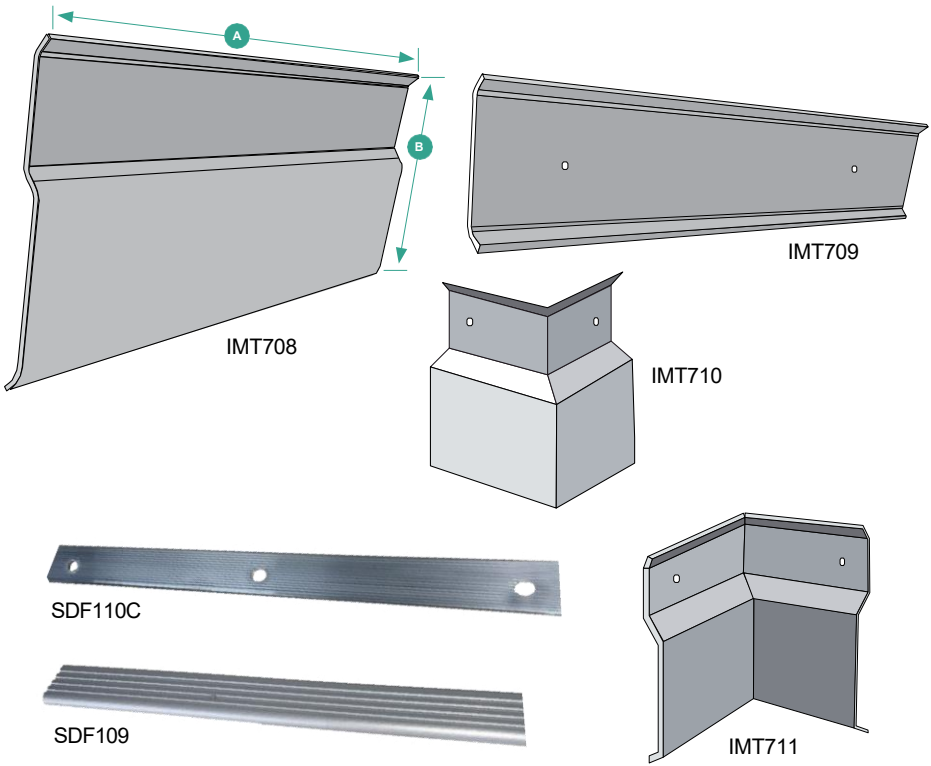
SEM020



Pipe Seal

	Dimensions	SEM020	Stocked In
A	Biggest Penetration	150mm	AK, WN, ChC
B	Smallest Penetration	25mm	
C	Minimum Height	50mm	
D	Maximum Height	170mm	
E	Flange Diameter	334mm	

Used with rubber membranes only



Edge Fasteners and Pressure Bars					
Product Code	Description	Finish	Dimensions		Stocked In
			A	B	
IMT708	Termination Flashing Cover Plate	Aluminium	2400mm	140mm	AK,WN,ChC
IMT709	Pressure Bar	Aluminium	2400mm	65mm	
IMT710	External Corner	Aluminium	N/A	N/A	
IMT711	Internal Corner	Aluminium	N/A	N/A	
SDF109	Dual Purpose Edge Fastener	Grey (Alum)	2285mm	25mm	
SDF110C	Edge Fastener	Silver (Alum)	3050mm	25mm	



SRG003C

Membrane Protection Mat

Product Code	Description	Size	Stocked In
SRG003C	Membrane Protection Mat*	4.0m wide	AK, WN, ChC
To be used with all membranes (*Sold cut-to-length)			

NB: Aside from the specialised adhesives required for adhering Epiclad F.B.S. membrane (shown on the next couple of pages), all of the accessories used with Epiclad EPDM membrane displayed on the previous pages, apply to Epiclad F.B.S. membranes as well



SEH203

Epiclad F.B.S. Membrane								
Product Code	Description	Colour	Thickness (incl. Fleece)	Width	Length	Weight	M ³	Stocked In
SEH203	Epiclad F.B.S.	Black	2.52mm	3.0m	15.2m	80kg	0.20	AK, WN, ChC



STP900B



STP912



STP901a / STP901b

Caulking Gun, Accessories and F.A.S.T. Adhesive

Product Code	Description	Stocked In
STP900B	Flexible F.A.S.T Adhesive Dual Cartridge (1.5litre/set (750ml A+B) (Average 7 – 10m ² / set)	AK, WN, ChC
STP911	Dual Cartridge Manual Caulking Gun (Long)	
STP912	Dual Cartridge Manual Caulking Gun (Short)	
STP901a	Flexible F.A.S.T Adhesive Dual Tank Part A (18.9 litres) Coverage approx. 300 – 320m ² / A+B set)	
STP901b	Flexible F.A.S.T Adhesive Dual Tank Part B (18.9 litres) Coverage approx. 300 – 320m ² / A+B set)	

To be used with Enviroclad F.B.S., Epiclad F.B.S. and Kingspan polyiso insulation panels for WarmSpan¹ specifications



STP904



STP907



STP904HS



STP905



STP906



STP904DT

Cav-Grip III Adhesive

Product Code	Description	Size	Est. Coverage*	Stocked In
STP904	Cav Grip III	13.6kg	92m ²	AK, WN, ChC
STP905	Cav Grip Hose	1.8m	NA	
STP905A	Cav Grip Hose	3.6m	NA	
STP905B	Cav Grip Hose	5.4m	NA	
STP906	Cav Grip Spray Gun (adjustable)	NA	NA	
STP907	Untack Cleaning System	5kg	NA	
STP908	Cav Grip Spray Gun (with extension)	NA	NA	
STP909	Cav Grip Gun Replacement Tips	NA	NA	
STP904DT	Cav Grip Dual Tip nozzle	NA	NA	
STP904HS	Cav Grip hose splitter	NA	NA	

- *Coverage rates are indicative only. Coverage depends on surface texture and condition
- Refer Viking Product Data Sheet Cav-Grip III for guidance
- **NB:** Hose Splitter and Dual Tip nozzle can not be used at the same time

Cav Grip III Acceptable Membranes and Applications

Acceptable Membranes and Applications

Membrane Type	Roof Deck / Field area	Upstands
Enviroclad TPO	✓	✓
Epiclad EPDM	✓	✓
FleeceBACK**	✓ **	✓ **
Dec-K-ing PVC	✗	✗

- **NB:** Cav Grip III can be used to bond Enviroclad to the surface of Cover Board and Polysio board, but it cannot be used to secure Cover Board to Polysio board or Polysio board to the substrate
- ** Cav grip III can not be used over bitumen when installing FBS