

# Viking RoofTrak

Version: 1.0

## Introduction:

This Data Sheet is to serve as a reference guide for Viking Roofspec Licensed Installers who are already familiar with Viking Roofspec's systems and are responsible for Viking roof-system installation.

The Viking RoofTrak system offers a secure attachment to the structure through the waterproofing layer, delivering a fully waterproof and warranted fixing point for solar panels, rainscreen cladding, decking support details, signage, and walkway systems such as Monkey Toe. These proprietary solutions simplify specification while ensuring long-term integrity around fixing penetration points.

## **Features and Benefits**

- Helps eliminate leaks at fixing interface details: By addressing potential weak points, the system ensures a more secure and leak-free installation.
- Suitable for all roof types and constructions: Versatility in application allows for use across various roofing systems, from flat to pitched roofs.
- Reduced roof loading and extra structural support: The system is designed to minimize the additional weight on the roof, providing extra strength where needed.
- Simple to specify: Streamlined design and comprehensive guidelines make it easier for installers to specify the correct solution.
- Future proof: Engineered with longevity in mind, ensuring compatibility with future technologies and requirements.
- Sustainable solution: Eco-friendly materials and processes contribute to the sustainability of the building project.
- Helps optimal building performance: Enhances water tightness and reduces thermal transfer, leading to better energy efficiency and overall building performance.

## Properties

Product Code	Description	Dimensions	Membrane Type
NRT001	Anchor for Mounting Plant (Pre-applied Membrane Flange)	250mm x 250mm x 25mm Heigh	Enviroclad
NRT002	Anchor for Mounting Plant (Pre-applied Membrane Flange)	250mm x 250mm x 25mm Heigh	Torch-On

Dimensions	Details
O/A height from FRL	25mm
Base plate	250mm x 250mm
Fixing holes	16no. 7mm Ø for direct fixings 8no. 14mm Ø for thermally broken fixings
Membrane Flange dims	TPO 450mm x 450mm Bitumen 550mm x 550mm

## Installation

### Surface Preparation

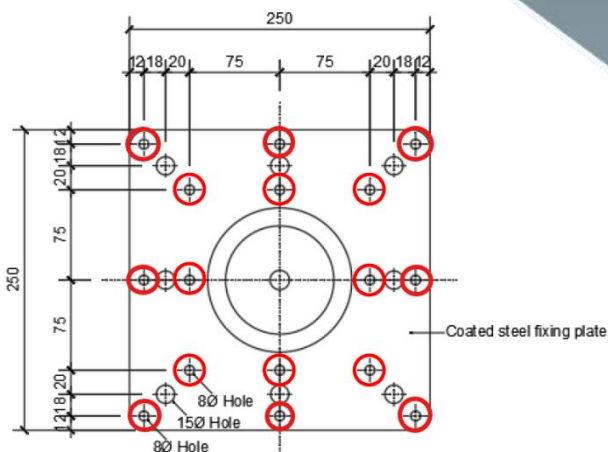
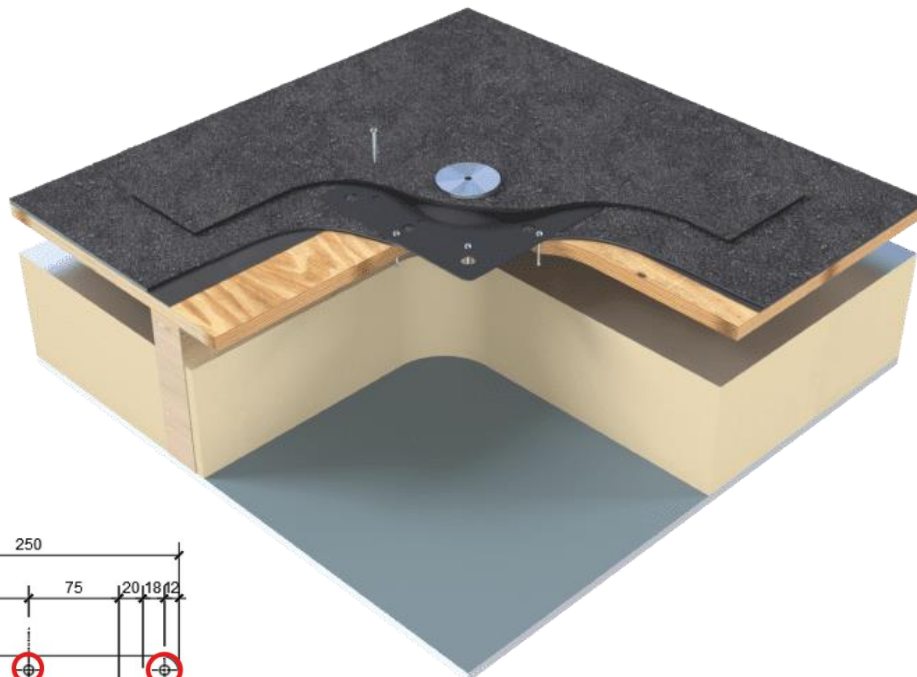
- The specified Viking Roofspec Membrane system is installed as per manufacturers install guides and best practise guidelines.
- Clean the Roof area and ensure that all debris and loose materials are removed
- Mark out all areas and locations where the Viking RoofTrak will be installed

### Cold Roof

The ROOFTRAK system can be installed on either a cold roof or a fully supported membrane roof.

### Steps for Installation:

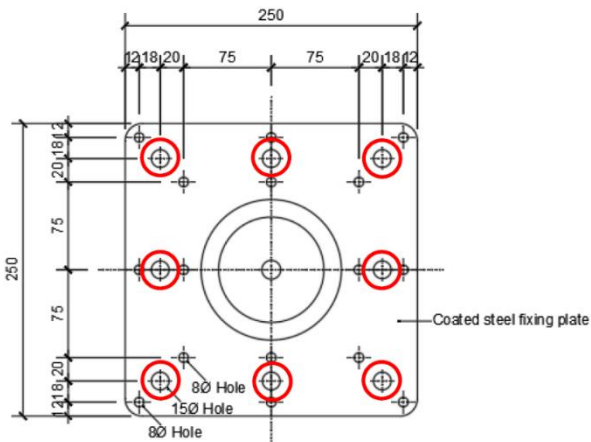
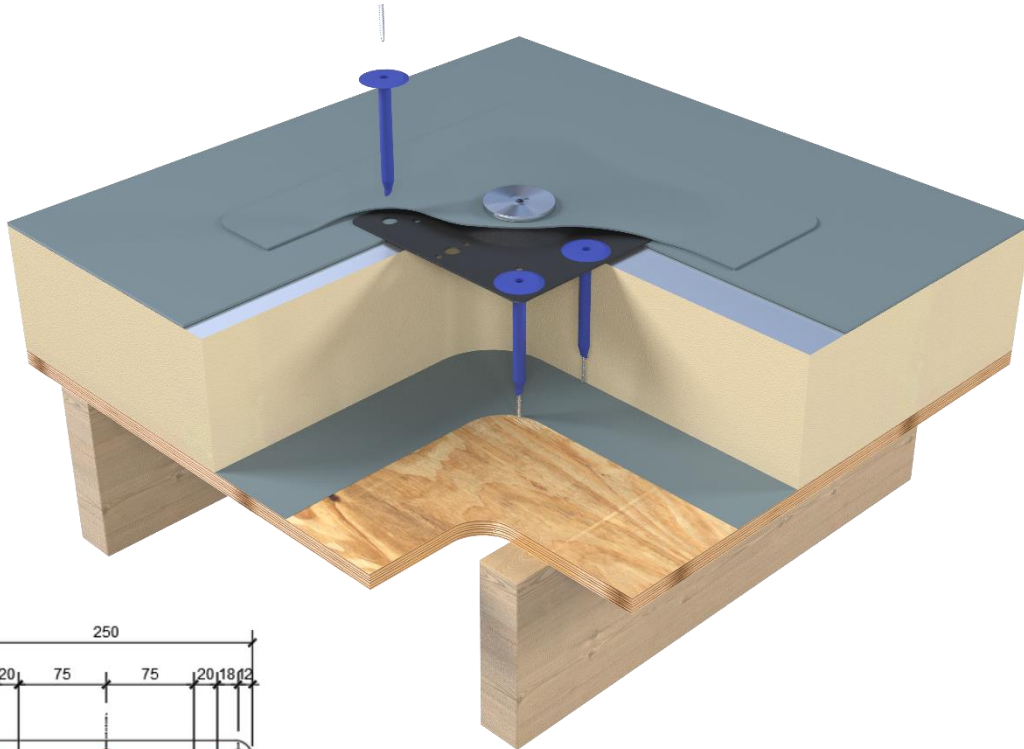
1. Position the RoofTrak unit on the roof at the desired location.
2. Ensure that the RoofTrak products are placed in areas of the roof that allow for proper drainage. Avoid locations where ponding water might occur.
3. When installing multiple RoofTrak units, check and align them properly before fixing them in place.
4. Once positioned, fold back the membrane flange to reveal the fixing plate.
5. Secure the RoofTrak to the roof substrate board using the specified fixings. Employ the direct fixing method, ensuring 8 fixing points are evenly distributed around the plate. Refer to the load table for tensile resistance values.
6. Seal the membrane flange to the field membrane according to the manufacturer's instructions and good practice guidelines. Note that all Viking Roofspec roof systems requires a Viking Approved Applicator to ensure a waterproof seal.
7. Ensure that the threaded receptor on the RoofTrak remains clean and free from debris until further attachments are made.



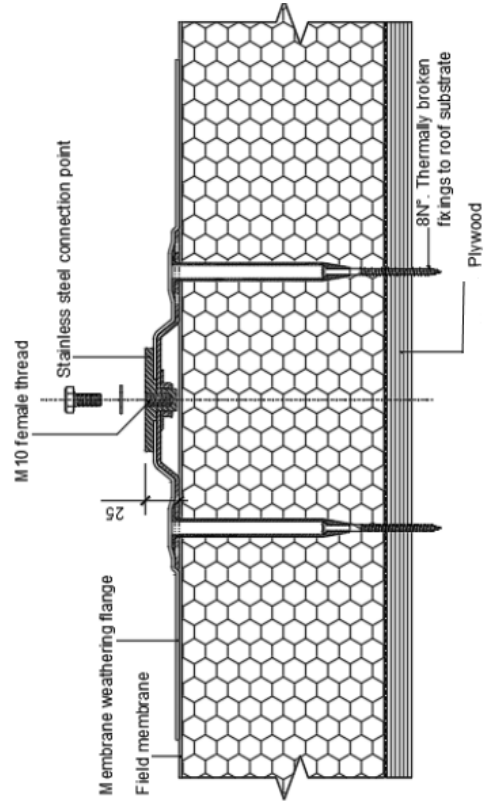
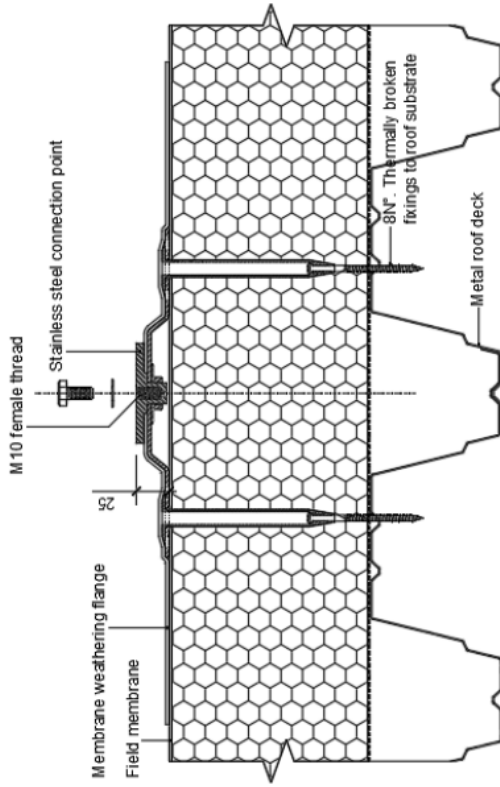
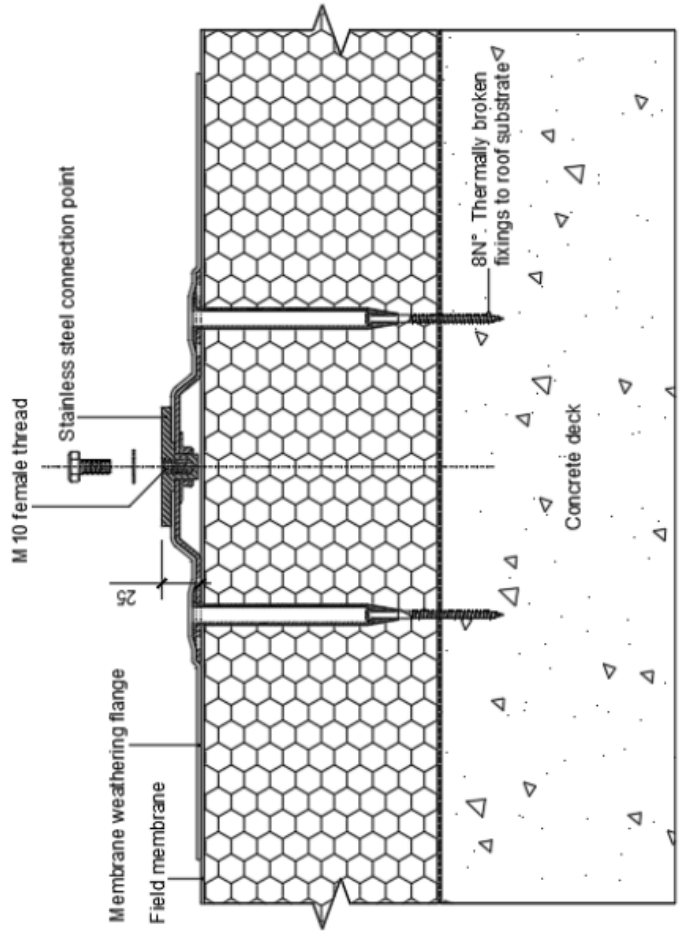
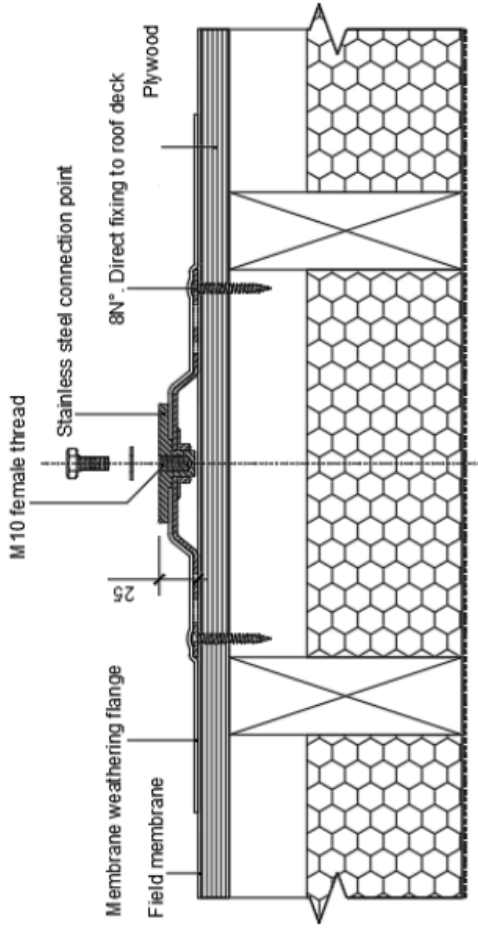
**WarmRoof / WarmSpan**

The RoofTrak can be fitted to a Viking WarmRoof or WarmSpan System where the membrane is laid over rigid insulation panel P.I.R. Please follow the steps below to ensure correct installation:

1. Position the RoofTrak unit on the roof at the desired location.
2. Ensure that the RoofTrak products are placed in areas of the roof that allow for proper drainage. Avoid locations where ponding water might occur.
3. When installing multiple RoofTrak units, check and align them properly before fixing them in place.
4. Once positioned, fold back the membrane flange to reveal the fixing plate.
5. Installing the Unit: Use the specified fixings to secure the Viking RoofTrak to the specified roof system build up (Viking WarmRoof or WarmSpan). The thermally broken fixing method should normally be used. Utilize all 8 fixing points evenly distributed around the plate. When using thermally broken fixings, ensure the fixing head does not pull through the bottom of the tube washer. Use a low torque setting and incrementally increase it so that the tube washer pulls tight without damage. If the fixing pulls through the tube washer, replace the washer and insert a new fixing.
6. Seal the membrane flange to the field membrane according to the manufacturer's instructions and good practice guidelines. Note that all Viking Roofspec roof systems requires a Viking Approved Applicator to ensure a waterproof seal.
7. Ensure that the threaded receptor on the RoofTrak remains clean and free from debris until further attachments



# Different Membrane Roof Assembly with Viking RoofTrak



**Precautions**

- **The Viking RoofTrak should not be used to secure or support non axial loads such as, but not limited to, handrail balustrade or privacy screens anchor points for static lines.**
- Installation should be performed on a clean and dry substrate.
- Verify that all fixings and materials are compatible with the roof system being used.
- Ensure that all safety precautions are followed during the installation process.
- Where mineral insulation is used on a warm roof, it is the specifiers/installers responsibility to ensure that compression of the insulation does not occur at installation or and will not occur the long term under load.
- Units should be checked prior to installation for any defect. Defects should be notified to the manufacturer before installation occurs.
- The RoofTrak should not be dismantled, adjusted or any attempt made to change the membrane flange. Breaking the fixing assembly seal of the unit will invalidate the warranty