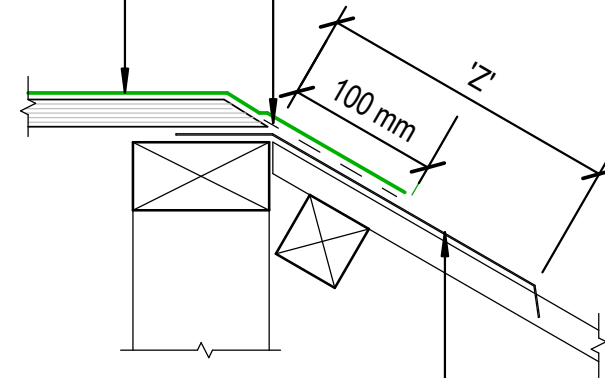


SMT076V Lape Tape

Viking Enviroclad TPO  
waterproofing membrane 1.52 mm  
thick, install as per manufacturers  
instructions



NOTE:  
'Z' = variable according to wind  
zoning, please refer to table 7 E2/AS1

NOTE:  
Substrate to comply with current  
Viking Roofspec Masterspec  
specification  
Substrate Checksheet available from  
[www.vikingroofspec.co.nz](http://www.vikingroofspec.co.nz)

Metal Flashing refer E2  
paragraph 4.0

DRAWING TITLE

Viking Enviroclad  
Roof Junction\_Mansard Verge

NOTES:

\* Angle fillets are not required at  
upstands for Enviroclad  
\* All fixings, cladding and structure are  
indicative only unless notated

**CodeMark**

Cert # GM-CMNZ30058  
Cert # BV-CMNZ70176  
Enviroclad systems are CodeMarked

DRAWING

INFORMATION ONLY

Scale:	Date:	Drawn:	Viking
Not to Scale	23/11/2020		
Detail Ref:	<b>VIK_ENV_073_RJUNMANV</b>		

**Viking** Roofspec  
Taking care of detail