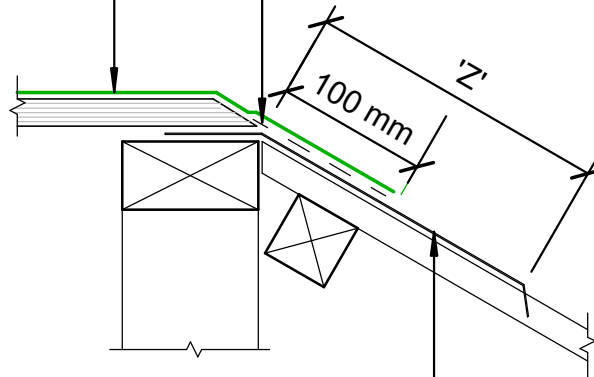


SMT076V Lape Tape

Viking Enviroclad TPO
waterproofing membrane 1.52
mm thick, install as per
manufacturers instructions



NOTE:
'Z' = variable according to wind
zoning, please refer to table 7 E2/AS1

NOTE:
Substrate to comply with current
Viking Roofspec Masterspec
specification
Substrate Checksheet available from
www.vikingroofspec.co.nz

Metal Flashing refer E2
paragraph 4.0

DRAWING TITLE

Viking Enviroclad
Roof Junction_Mansard Verge

NOTES:

- * Angle fillets are not required at upstands for Enviroclad
- * All fixings, cladding and structure are indicative only unless notated



Enviroclad
systems are
CodeMarked

DRAWING

INFORMATION ONLY

Scale: Not to Scale	Date: 23/11/2020	Drawn: Viking
------------------------	---------------------	------------------

Detail Ref
VIK_ENV_073_RJUNMANV

Roofspec
Viking
Taking care of detail