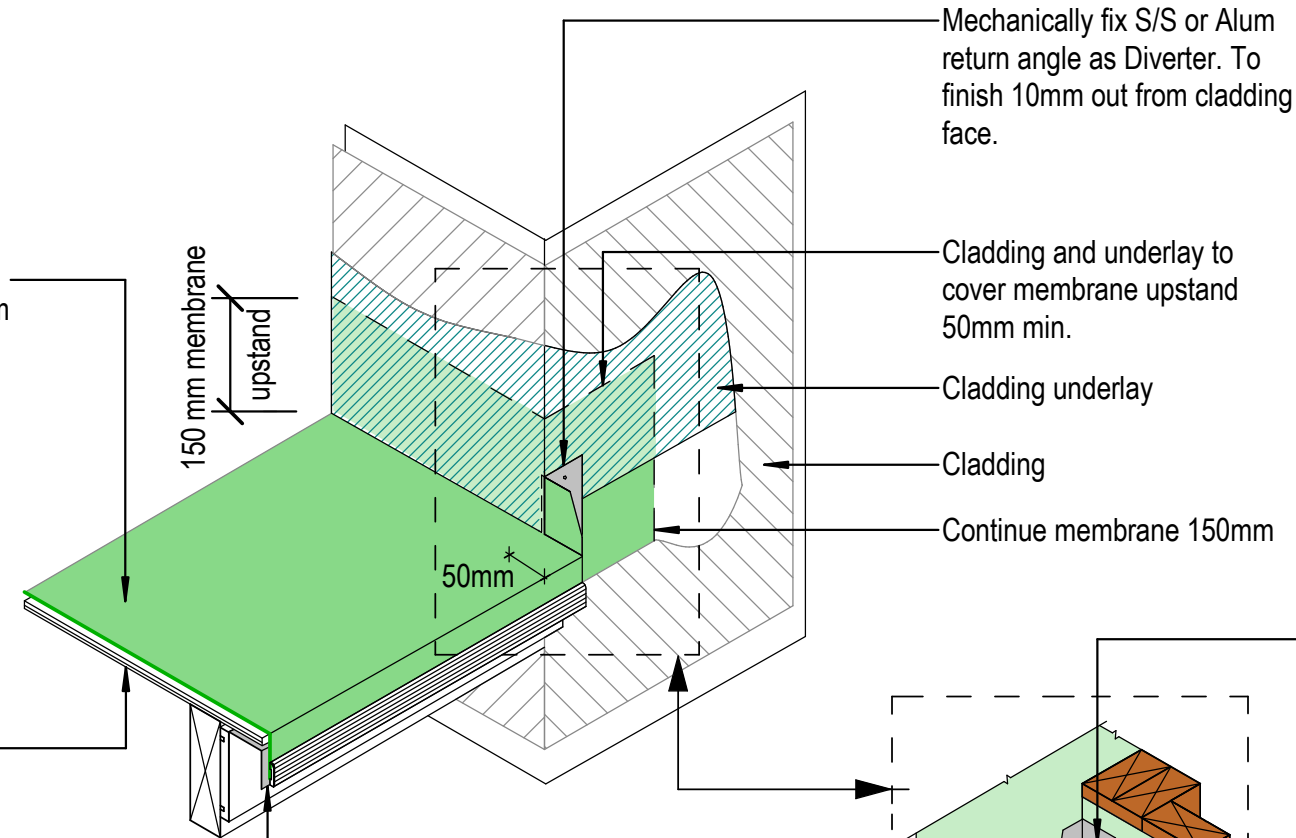


Viking Enviroclad TPO waterproofing membrane 1.52 mm thick, install as per manufacturers instructions



Mechanically fix S/S or Alum return angle as Diverter. To finish 10mm out from cladding face.

Cladding and underlay to cover membrane upstand 50mm min.

Cladding underlay

Cladding

Continue membrane 150mm

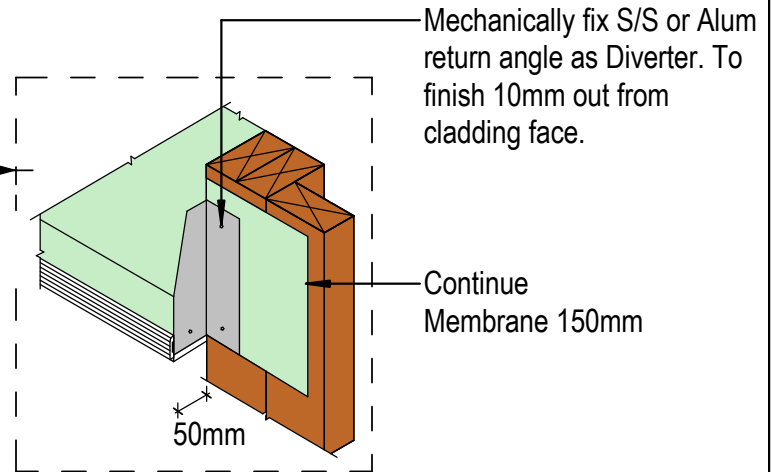
Substrate

150 mm membrane upstand

50mm

**NOTE:**  
Substrate to comply with current Viking Roofspec Masterspec specification  
Substrate Checksheet available from [www.vikingroofspec.co.nz](http://www.vikingroofspec.co.nz)

TPO coated Alum Angle 50x50mm min. as per E2/AS1  
Enviroclad can be welded to drip-edge for a secure termination



Mechanically fix S/S or Alum return angle as Diverter. To finish 10mm out from cladding face.

Continue Membrane 150mm

50mm

DRAWING TITLE

Viking Enviroclad  
Verge\_edge with wall returning, Diverter for cladding

NOTES:

\* Angle fillets are not required at upstands for Enviroclad  
\* All fixings, cladding and structure are indicative only unless notated

**CodeMark**

Cert # GM-CMNZ30058  
Cert # BV-CMNZ70176

Enviroclad systems are CodeMarked

DRAWING

INFORMATION ONLY

Scale:	Date:	Drawn:	Viking
Not to Scale	23/11/2020		
Detail Ref: <b>VIK_ENV_033A_VERGEDGE</b>			