



DPH000



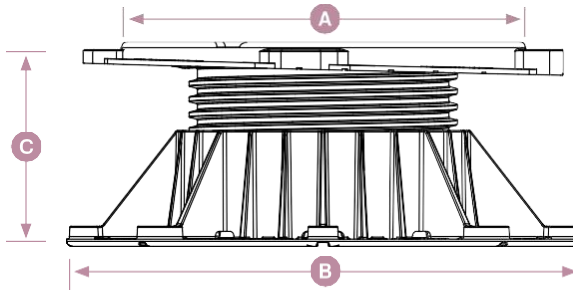
DPH100

Fixed Height Pedestals

Dimensions	DPH000	DPH100	Stocked In
Pad Diameter	170mm	170mm	AK
Foot Diameter	170mm	170mm	
Height	17mm	27mm	



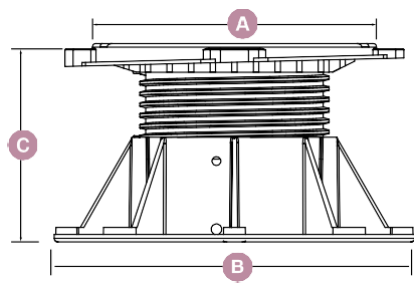
DPH300



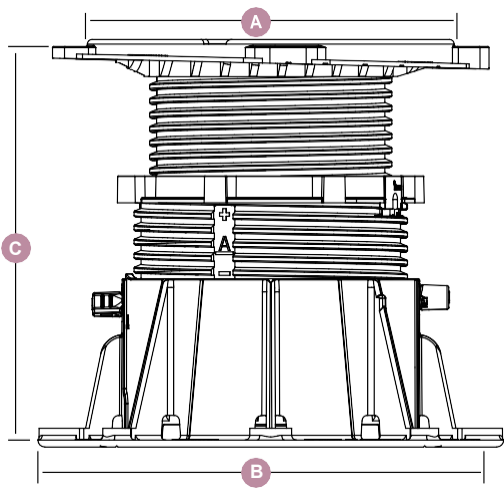
Adjustable Height Pedestals					
	Dimensions	DPH150	DPH200	DPH300	Stocked In
A	Pad Diameter (without slope corrector clipped on)	150mm	150mm	150mm	AK
B	Foot Diameter	200mm	200mm	200mm	
C	Height Adjustment	25-36mm	35-53mm	50-78mm	
Add 10mm height if adding slope corrector					



DPH400

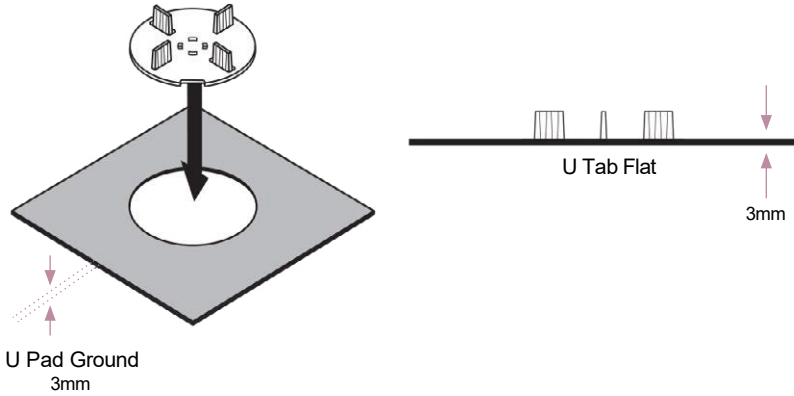


DPH500



Adjustable Height Pedestals with built-in Slope corrector

	Dimensions	DPH400	DPH500	Stocked In
A	Pad Diameter	155mm	155mm	AK
B	Foot Diameter	200mm	200mm	
C	Height Adjustment	74 - 110mm	100 - 170mm	
Slope corrector built-in				



Tab & Pad for Low Tiles

Product Code	Description	Dimensions	Stocked In
U Pad Ground	Absorber Pad For Tab	3mm Thick x 200mm x 200m	AK
U Tab Flat	Tab With Flat Bottom	3mm Thick x 80mm dia x 17mm High Tabs	



KIT000

Batten Holder Kits			
Product Code	Description	Support Spacing (internal)	Stocked In
KIT000	Batten holder - only for use with PH5000 slope corrector. For all other situations, use KIT001	65mm	AK
KIT001	To be installed on all pedestals without the PH5000 slope corrector	65mm	



PH5000



A17000



BCPH500

Clip-on Slope Corrector and Tile Tabs

Product Code	Description	Size	Height	Stocked In
PH5000	Clip-on Slope Corrector for DPH000, DPH100, DPH150, DPH200, DPH300 (up to 5% = 2.9 degrees)	10mm Thick	Max. 10mm	AK
BCPH500	Bottom Mounted slope corrector (can't be used with DPH000 and DPH001)	10mm Thick		
A17000	Tile Tabs	3mm Spacing	17mm	
A40000B	Tile Tabs	4.5mm Spacing	17mm	



UWALL1



UWALL12



DPHEND

Wall protector and Terrace Finisher

Product Code	Description	Size	Stocked In
UWALL1	Wall Protector	4.5mm	AK
UWALL12	Wall Protector	12mm	
DPHEND	Terrace Finisher	N/A	



C20000



C50000

Coupler

Product Code	Description	Size	Stocked In
C20000	Buzon Coupler	Adds 120mm height	AK
C50000	Buzon Coupler	Adds 240mm height	
To be added to adjustable height pedestals if extra height is required			



E10000



U PAD 3

Pads and Rubber Equalisers

Product Code	Description	Thickness	Stocked In
E10000	Rubber Equalisers to Level Pavers or Pedestals	1mm	AK
E20000	Rubber Equalisers to Level Pavers or Pedestals	2mm	
U PAD 3*	Absorber Pad 200 x 200mm	3mm	
U PAD 6*	Absorber Pad 200 x 200mm	6mm	
*To be placed under the pedestal for sound dampening			



Viking Silca System



SILGRATE



SILCONNECT



SILSCREW



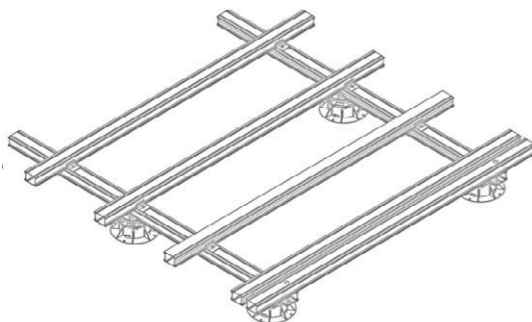
SILGLUE

Viking Silca System			
Product Code	Description	Size	Stocked In
SILGRATE	Structural Grade	398.5mm x 450mm x 38mm	AK
SILGLUE	Tile Adhesive	600mL	
SILSCREW	10g screw	75mm	
SILSCREW2	10g for screwing into aluminium size	75mm	
SILCONNECT	Locking connector	n/a	
* Compatible with any Buzon screwjack pedestal			



TreadTech Floating Deck installation

TreadTech Floating Deck System



Unlike the Viking Silca grate system which is supplied in grates of identical size, the TreadTech Floating Deck System involves project-specific; cut-to-length extruded aluminium rails which support a timber or composite plank deck surface.

The whole deck assembly is supported by our Buzon screwjack pedestals.

We are in the position to fulfil orders now. For more information on the Viking TreadTech Floating Deck System – call 0800 729 799

[back to contents](#)

1. No. of pedestals per m² when installing tiles direct onto pedestals

Wood deck: (if used every 800mm x 400mm supports) = 2.8 per m²

Pavers 400 x 400 + / - 7.5 pedestals / m²

Pavers 500 x 500 + / - 5 pedestals / m²

Pavers 600 x 600 + / - 3.8 pedestals / m² (or ± 6.5 if 5th pedestal used in the middle).

2. Slope Conversion

Nearest 0.5 Percent	mm / 1000mm slope	Degrees
1.0%	10mm	0.55
1.5%	15mm	0.85
2.0%	20mm	1.15
2.5%	25mm	1.45
3.0%	30mm	1.75
3.5%	35mm	2.00
4.0%	40mm	2.30
4.5%	45mm	2.55
5.0%	50mm	2.85

Example: 2.0% = 20mm vertical drop for every 1000mm horizontal = 1.15 degrees