

## Viking Buzon Screw-Jack Pedestals



DPH000



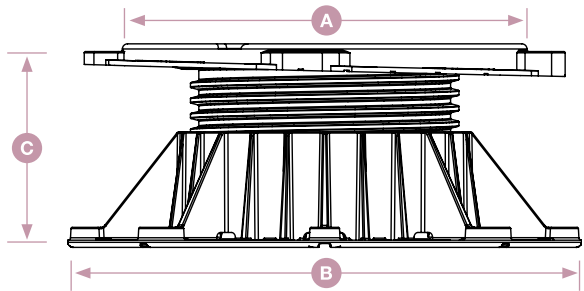
DPH100

Fixed Height Pedestals			
Dimensions	DPH000	DPH100	Origin
Pad Diameter	170mm	170mm	Belgium
Foot Diameter	170mm	170mm	Belgium
Height	17mm	27mm	Belgium

## Viking Buzon Screw-Jack Pedestals



DPH300

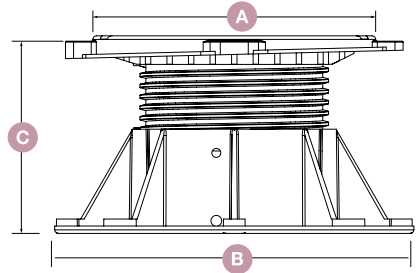


Adjustable Height Pedestals					
	Dimensions	DPH150	DPH200	DPH300	Origin
A	Pad Diameter (without slope corrector clipped on)	150mm	150mm	150mm	Belgium
B	Foot Diameter	200mm	200mm	200mm	Belgium
C	Height Adjustment	25-36mm	35-53mm	50-78mm	Belgium
Add 10mm height if adding slope corrector					

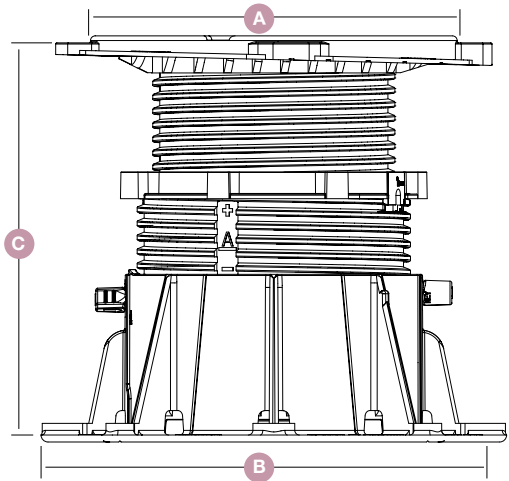
## Viking Buzon Screw-Jack Pedestals



DPH400



DPH500

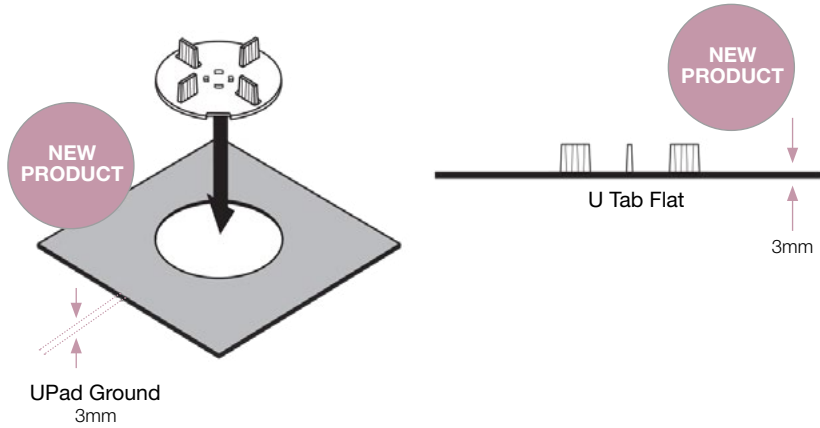


### Adjustable Height Pedestals with built-in Slope corrector

	Dimensions	DPH400	DPH500	Origin
A	Pad Diameter	155mm	155mm	Belgium
B	Foot Diameter	200mm	200mm	Belgium
C	Height Adjustment	74 - 110mm	100 - 170mm	Belgium

Slope corrector built-in

# Viking Buzon Screw-Jack Pedestals



## Tab & Pad for Low Tiles

Product Code	Description	Dimensions	Origin
UPad Ground	Absorber Pad For Tab	3mm Thick X 200mm X 200m	Belgium
U Tab Flat	Tab With Flat Bottom	3mm Thick X 80mm dia X 17mm High Tabs	Belgium

## Viking Buzon Screw-Jack Pedestals



KIT000



KIT001

NEW  
PRODUCT

### Batten Holder Kits

Product Code	Description	Support Spacing (internal)	Origin
KIT000	Batten holder - only for use with PH5000 slope corrector. For all other situations, use KIT001	65mm	Belgium
KIT001	To be installed on all pedestals without the PH5000 slope corrector	N/A	Belgium

## Viking Buzon Screw-Jack Pedestals



PH5000



A17000



BCPH500

### Clip-on Slope Corrector and Tile Tabs

Product Code	Description	Size	Height	Origin
PH5000	Clip-on Slope Corrector for DPH000, DPH100, DPH150, DPH200, DPH300 (up to 5% = 2.9 degrees)	10mm Thick	Max. 10mm	Belgium
BCPH500	Bottom Mounted slope corrector (can't be used with DPH000 and DPH001)	10mm Thick		Belgium
A17000	Tile Tabs	3mm Spacing	17mm	Belgium
A40000b	Tile Tabs	4.5mm Spacing	17mm	Belgium

## Viking Buzon Screw-Jack Pedestals



UWALL1



UWALL12



DPHEND

### Wall protector and Terrace Finisher

Product Code	Description	Size	Origin
UWALL1	Wall Protector	4.5mm	Belguim
UWALL12	Wall Protector	12mm	NZ
DPHEND	Terrace Finisher	N/A	Belgium

## Viking Buzon Screw-Jack Pedestals

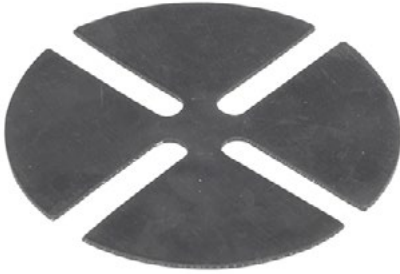


C20000

Coupler			
Product Code	Description	Size	Origin
C20000	Buzon Coupler	Adds 120mm height	Belgium
To be added to adjustable height pedestals if extra height is required			



## Buzon Screw-Jack Pedestals



E10000



UPAD3

### Pads and Rubber Equalisers

Product Code	Description	Thickness	Origin
E10000	Rubber Equalisers to Level Pavers or Pedestals	1mm	Belgium
E20000	Rubber Equalisers to Level Pavers or Pedestals	2mm	Belgium
UPAD3*	Absorber Pad 200 x 200mm	3mm	Belgium
UPAD6*	Absorber Pad 200 x 200mm	6mm	Belgium

\* To be placed under the pedestal for sound dampening

## Buzon Screw-Jack Pedestals Conversion Tables

### 1. No. of Pedestals per square metre

Wood deck: (if used every 800mm x 400mm supports) = 2.8 per m<sup>2</sup>

Pavers 400 x 400	+ / - 7.5 pedestals / m <sup>2</sup>
Pavers 500 x 500	+ / - 5 pedestals / m <sup>2</sup>
Pavers 600 x 600	+ / - 3.8 pedestals / m <sup>2</sup> (or ± 6.5 if 5 <sup>th</sup> pedestal used in the middle.)

### 2. Slope Conversion

Nearest 0.5 Percent	mm / 1000mm slope	Degrees
1.0%	10mm	0.55
1.5%	15mm	0.85
2.0%	20mm	1.15
2.5%	25mm	1.45
3.0%	30mm	1.75
3.5%	35mm	2.00
4.0%	40mm	2.30
4.5%	45mm	2.55
5.0%	50mm	2.85

Example: 2.0% = 20mm vertical drop for every 1000mm horizontal = 1.15 degrees