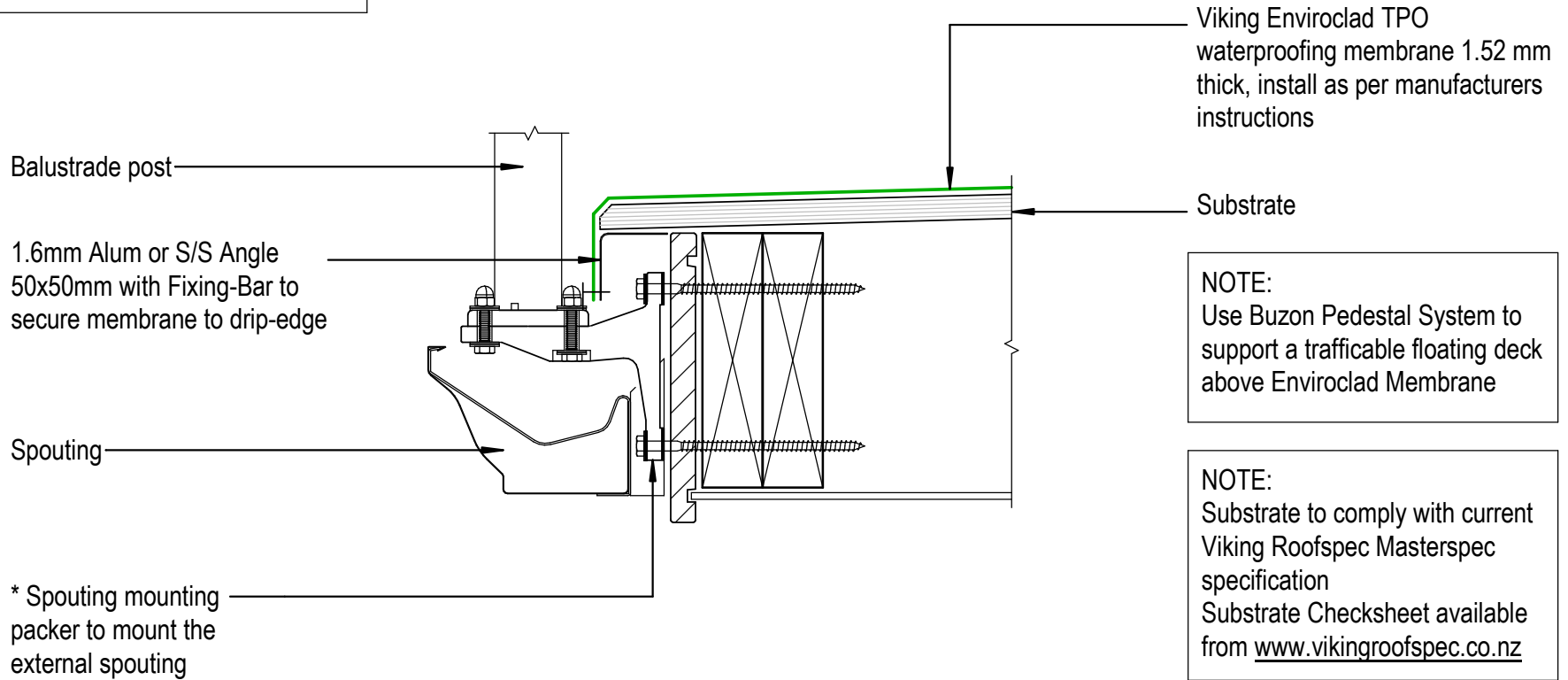


**NOTE:**

\* Unex Balustrade bracket and system refer to Unex Systems for complete Balustrade detail requirements Ph 0800 333 777  
WEB: unex.co.nz



DRAWING TITLE

Viking Enviroclad  
Deck\_Balustrade to External Spouting

NOTES:

\* Angle fillets are not required at upstands for Enviroclad  
\* All fixings, cladding and structure are indicative only unless notated

**CodeMark**

Cert # GM-CMNZ30058  
Cert # BV-CMNZ70176  
Enviroclad systems are CodeMarked

DRAWING

INFORMATION ONLY

Scale:	Date:	Drawn:	Viking
Not to Scale	23/11/2020		
Detail Ref:			<b>VIK_ENV_101_DECKBALU</b>

**Viking** Roofspec  
Taking care of detail