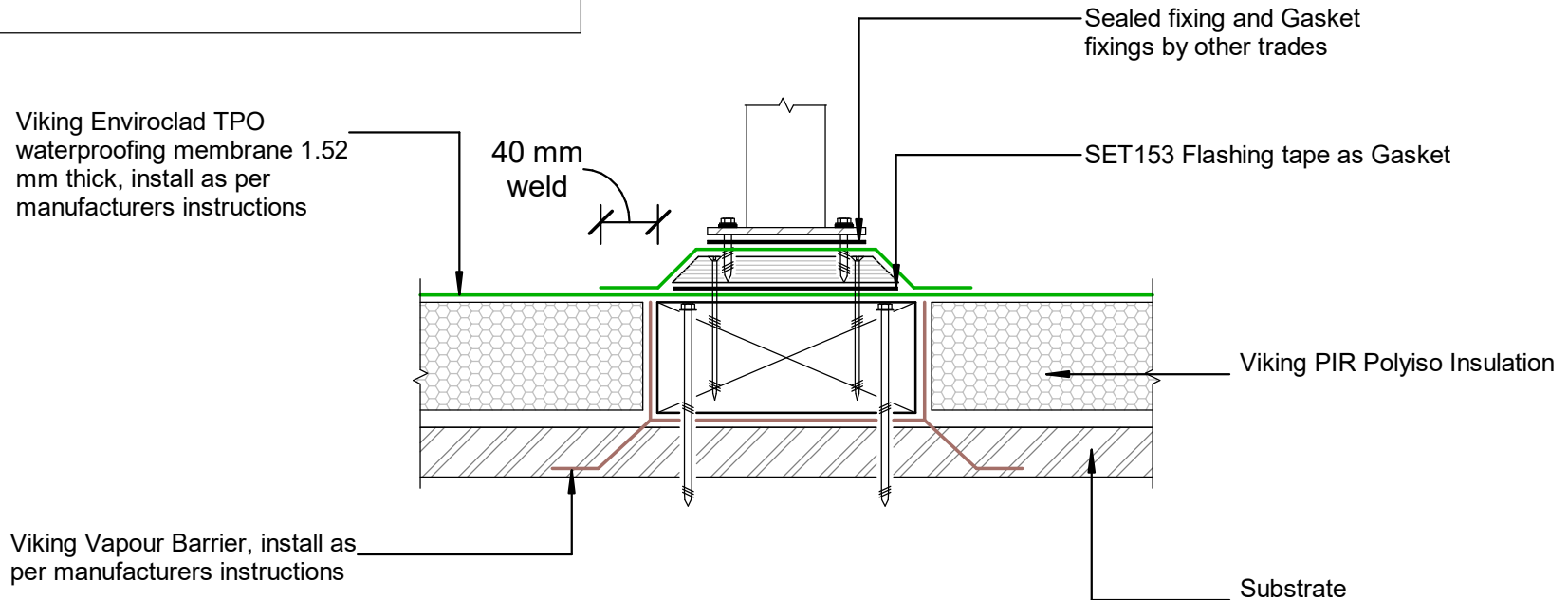


NOTE:

Substrate to comply with current Viking Roofspec Masterspec specification
Substrate Checksheet available from www.vikingroofspec.co.nz



DRAWING TITLE

Viking WarmSpan - Enviroclad
Penetration_Plinth base for Balustrade

NOTES:

- * Angle fillets are not required at upstands for Enviroclad
- * All fixings, cladding and structure are indicative only unless notated
- * All details to be read in conjunction with Viking Specifications

WarmSpan System is Branz
Appraised - 713

DRAWING

INFORMATION ONLY

Scale:	Date:	Drawn:	Viking
Not to Scale	01/03/2022		
Detail Ref: VIK_WSE_012_PENEPLIN			