

Sheet List

Sheet Number	Sheet Name
VIK_TOR_000_INDEX001	Viking Roofspec Details Schedule
VIK_TOR_000_NOTES001	Best practice design in Membrane Roofing
VIK_TOR_000_NOTES002	Revit Notes
VIK_TOR_000_NOTES003	Specification Requirements
VIK_TOR_001_PENEOUTL	Penetration_Outlet and Overflow
VIK_TOR_001A_PENEOUTL	Penetration_Outlet and Overflow Side Exit
VIK_TOR_002_PENEBALC	Penetration_Balcony Drain 80mm
VIK_TOR_002A_PENEBALC	Penetration_Balcony Drain 100mm
VIK_TOR_004_PENEPLIN	Penetration_Plinth direction to divert watershed
VIK_TOR_004A_PENECRIK	Penetration_Cricket Diverter for watershed
VIK_TOR_005_VERTPIPE	Penetration_Vertical pipe
VIK_TOR_005A_HORIPPE	Penetration_Horizontal pipe
VIK_TOR_006_VERTDUCT	Penetration_Vertical ducting pipe
VIK_TOR_006A_HORIDUCT	Penetration_Horizontal ducting pipe
VIK_TOR_007_PENEFLUE	Penetration_Flue or Oversize Pipe
VIK_TOR_008_SKYLACCH	Penetration_Skylight or Roof Access hatch
VIK_TOR_009_POSTDECK	Penetration_Square Post through decking
VIK_TOR_011_PENEPOST	Penetration_Post or Rail for Plant Room equipment
VIK_TOR_012_PENEPLIN	Penetration_Plinth base for Balustrade
VIK_TOR_013_PENEPLIN	Penetration_Plinth for concrete or timber
VIK_TOR_014_PENEACOU	Penetration_Acoustic Mounting Block
VIK_TOR_020_VENTCAVI	Ventilation_Cavity Vent
VIK_TOR_020C_VENTROOF	Ventilation_Substrate Roof vent for concrete
VIK_TOR_021_VENTDRIP	Ventilation_Cavity vent at Drip edge
VIK_TOR_021A_VENTPAPA	Ventilation_Cavity vent at Parapet
VIK_TOR_021B_VENTSOFF	Ventilation_Cavity vent through Soffit
VIK_TOR_030_VERGBARG	Verge_Barge
VIK_TOR_031_VERGBARG	Verge_Barge with Low Profile AFS
VIK_TOR_031A_VERGBARG	Verge_Barge with Low Profile AFS in ISOMETRIC
VIK_TOR_032_VERGDRIPE	Verge_Drip edge to External Spouting
VIK_TOR_033_VERGEDGE	Verge_edge with wall continuing, Diverter for cladding
VIK_TOR_033A_VERGEDGE	Verge_edge with wall returning, Diverter for cladding

Sheet List

Sheet Number	Sheet Name
VIK_TOR_040_PARACAP	Parapet_with Cap
VIK_TOR_040A_PARAWALL	Parapet_Parapet meets wall
VIK_TOR_041_PARASCUP	Parapet_with scupper outlet
VIK_TOR_042_PARAOVER	Parapet_with overflow
VIK_TOR_050_GUTTOUTL	Internal Gutter_with outlet
VIK_TOR_051_GUTTWALL	Internal Gutter_to Wall
VIK_TOR_052_GUTTWALL	Internal Gutter_with outlet / overflow
VIK_TOR_060_INTSECRN	Intersection_External corner
VIK_TOR_061_INTSICNR	Intersection_Internal corner
VIK_TOR_062_INTSSUBS	Intersection_Substrate Expansion
VIK_TOR_062A_INTSSUBS	Intersection_Substrate Expansion Ply to Concrete
VIK_TOR_063_INTSSEIS	Intersection_Seismic Gap Generic
VIK_TOR_064_INTSRIDG	Intersection_Ridge / Hip
VIK_TOR_065_INTSVALL	Intersection_Valley
VIK_TOR_066_INTSSHEL	Intersection_Sheet Lap
VIK_TOR_067_INTSSHTT	Intersection_Sheet T-Joint
VIK_TOR_070_RJUNUPST	Roof Junction_Upstand to Pitched Roofing
VIK_TOR_071_RJUNMETL	Roof Junction_Membrane to Pitched Roofing Longrun
VIK_TOR_072_RJUNGUTI	Roof Junction_Metal Roof to Internal Gutter
VIK_TOR_073_RJUNMANV	Roof Junction_Mansard Verge
VIK_TOR_074_RJUNDORM	Roof Junction_Dormer ISO
VIK_TOR_074A_RJUNDORM	Roof Junction_Dormer Gutter
VIK_TOR_080_APRNUPST	Apron_Upstand behind cladding
VIK_TOR_080A_APRNURAB	Apron_Upstand to RAB behind cladding
VIK_TOR_081_APRNUTER	Apron_Upstand terminations without cladding
VIK_TOR_090_DOORTHRS	Threshold_Door
VIK_TOR_091_WINDTHRS	Threshold_Window
VIK_TOR_100_DECKBALU	Deck_Balustrade
VIK_TOR_101_DECKBALU	Deck_Balustrade to External Spouting

DRAWING TITLE

Viking Torch-On
Viking Roofspec Details Schedule

NOTES:

- Viking Waterproof Membrane as notated can be Viking Gemini, Lybra or Phoenix Super.
- All fixings, cladding and structure are indicative only unless notated.

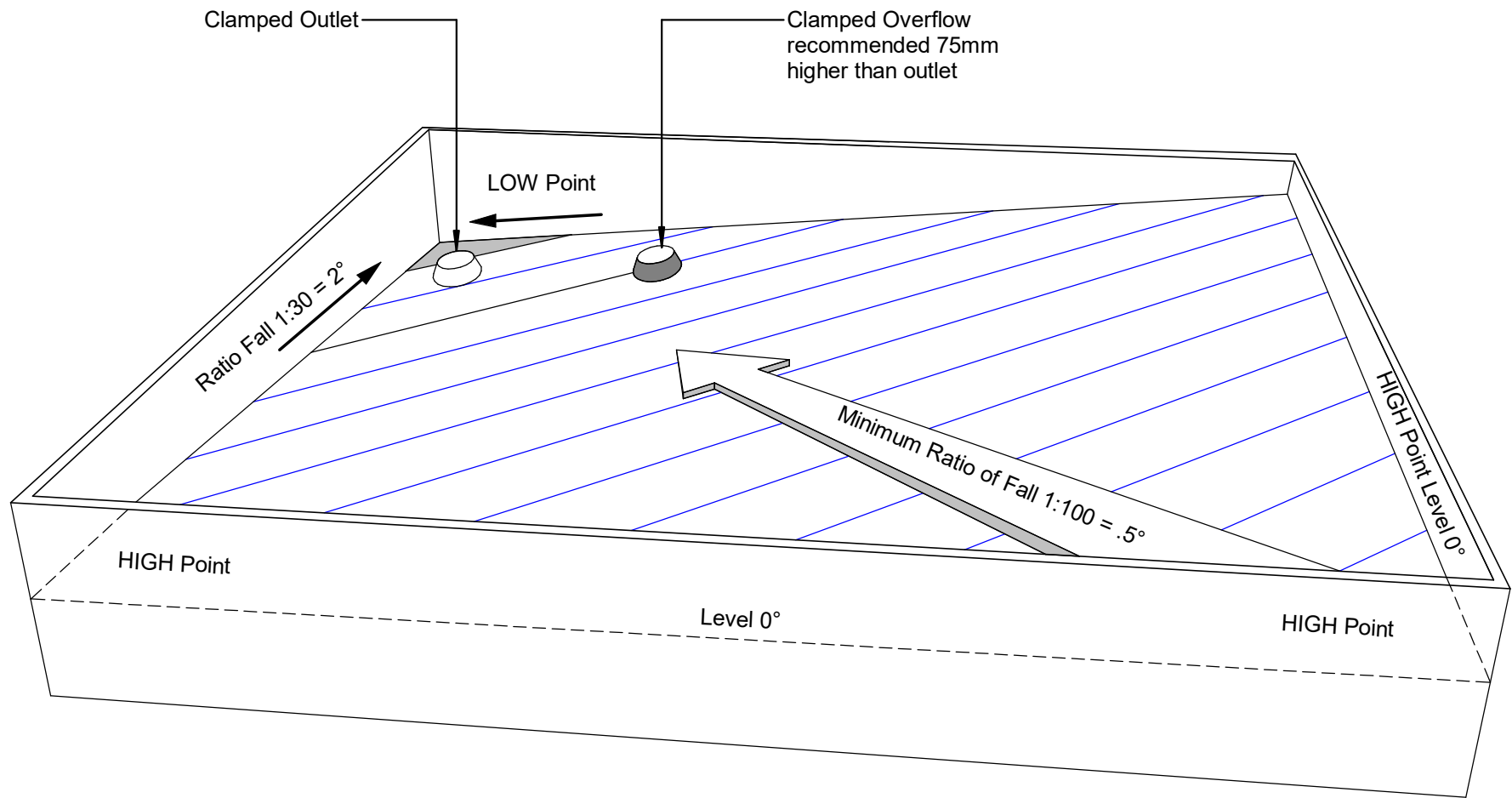


Viking Torch-On systems are CodeMarked

DRAWING

INFORMATION ONLY

Scale:	Date:	Drawn:	Viking
Not to Scale	23/11/2020		
Detail Ref: VIK_TOR_000_INDEX001			



NOTE: For low risk design, Viking Roofspec would recommend drainage to external spouting. When the roof is designed with enclosed parapets, consider using this methodology, to eliminate the requirement for internal gutters.

DRAWING TITLE

Viking Torch-On
Best practice design in Membrane Roofing

NOTES:

- Viking Waterproof Membrane as notated can be Viking Gemini, Lybra or Phoenix Super.
- All fixings, cladding and structure are indicative only unless notated.



Viking Torch-On systems are CodeMarked

DRAWING

INFORMATION ONLY

Scale:	Date:	Drawn:	Viking
Not to Scale	23/11/2020		
Detail Ref:			

VIK_TOR_000_NOTES001



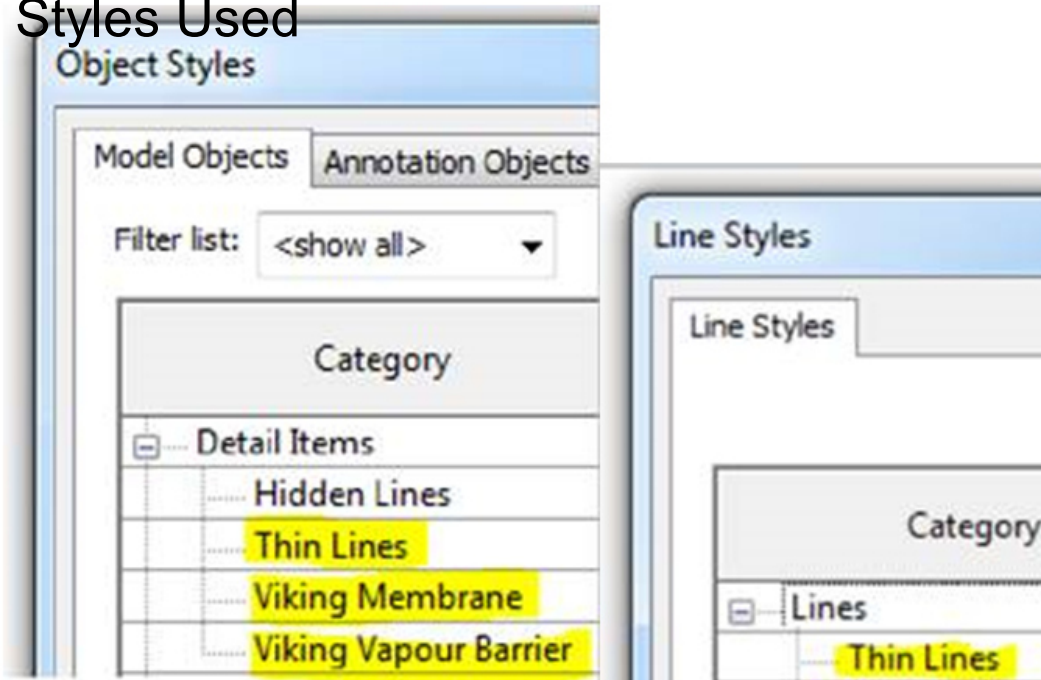
Viking Details - Revit

Notes

All Viking Revit Families:

1. Are made natively within Revit (no CAD imports).
2. Have instance-based lengths (where relevant) allowing for easy push/pull length changes.
3. Have pre-populated type parameter "descriptions" allowing for automatic notation by multi-category tagging .
4. Have minimal object style/ linestyles so your project doesn't get cluttered (the Viking components are coloured within this project by the use of view filters)

Revit Object and Line Styles Used



DRAWING TITLE

Viking Torch-On
Revit Notes

NOTES:

- Viking Waterproof Membrane as notated can be Viking Gemini, Lybra or Phoenix Super.
- All fixings, cladding and structure are indicative only unless notated.

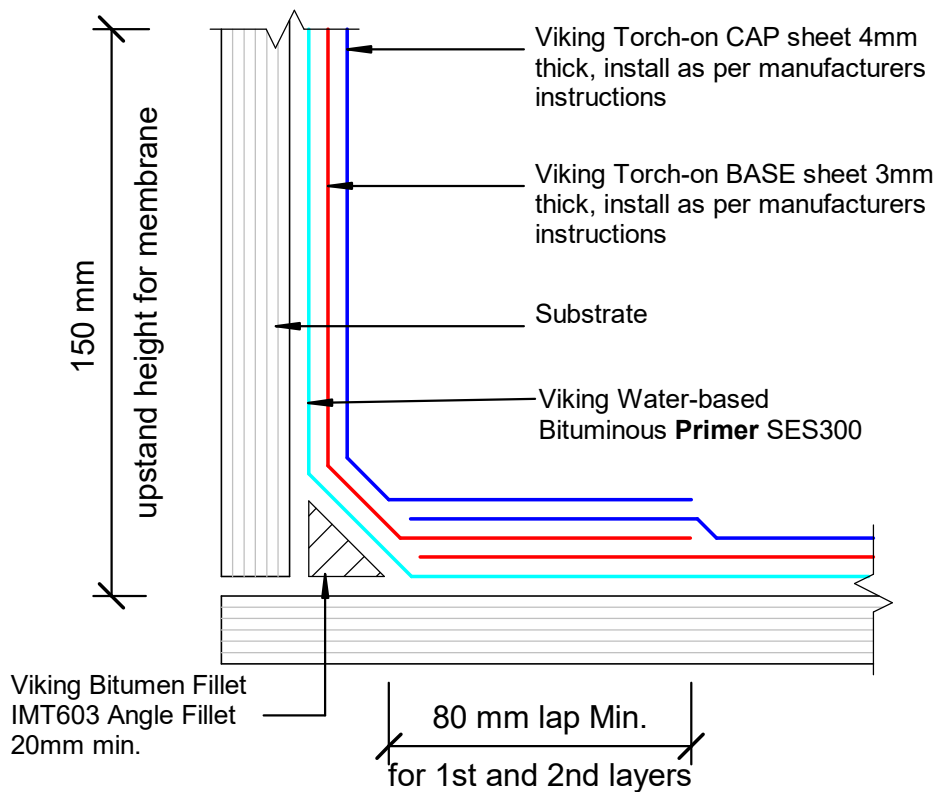


Viking Torch-On systems are CodeMarked

DRAWING

INFORMATION ONLY

Scale:	Date:	Drawn:	Viking
Not to Scale	23/11/2020		
Detail Ref: VIK_TOR_000_NOTES002			



NOTE:

Substrate to comply with current Viking Roofspec Masterspec specification Substrate Checksheet available from www.vikingroofspec.co.nz

IMPORTANT NOTES for all following details:

- Specification:** These details are for use with all Viking Torch-on Membranes Gemini APP, Lybra SBS or Phoenix Super APAO selections. Contact Viking Roofspec to assist with the best selection for your needs.
- Priming:** All substrates and surfaces where Torch-on membrane is being applied must be primed with Viking SES300 Bituminous primer. All Metal flashings or Proprietary fittings such as drip-edges, drains, sumps and scuppers must be sanded then primed with Viking Solvent-based Bituminous Primer SES297.
- Substrates:** All Substrates are to comply with Viking Torch-on System requirements. All external corners must be min. 5mm radius, with Internal corners to have min. 20mm Angle Fillet installed. A Bitumen Fillet is best.
- Detailing:** All upstand transitions are to be installed as per this detail for Internal gutters, door thresholds, wall upstands, skylight upstands etc. Reasoning: To allow for membrane movement near fillets at substrate transition from horizontal to vertical planes

DRAWING TITLE

Viking Torch-On
Specification Requirements

NOTES:

- Viking Waterproof Membrane as notated can be Viking Gemini, Lybra or Phoenix Super.
- All fixings, cladding and structure are indicative only unless notated.



Viking Torch-On systems are CodeMarked

DRAWING

INFORMATION ONLY

Scale:	Date:	Drawn:	Viking
Not to Scale	23/11/2020		
Detail Ref:			

VIK_TOR_000_NOTES003

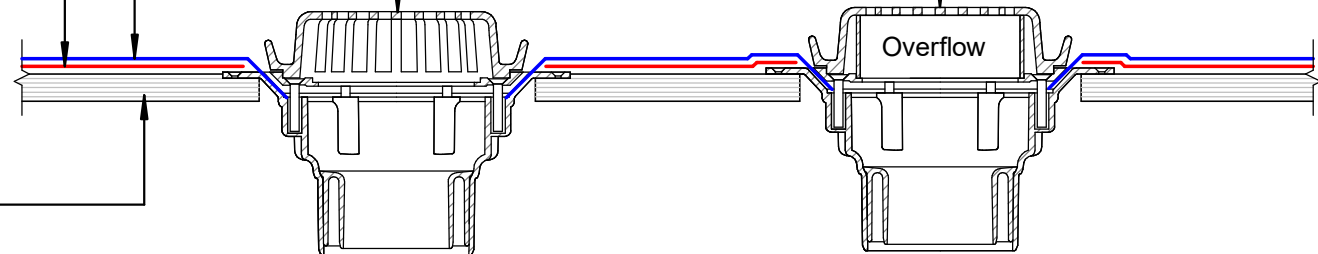
Viking Torch-on CAP sheet 4mm thick, install as per manufacturers instructions

Viking Torch-on BASE sheet 3mm thick, install as per manufacturers instructions

Substrate

Viking 80mmØ clamped drain SDM049 with 304 S/S domed grate, installed as per manufacturers instructions.

Viking 80mmØ clamped overflow drain SDM049 with 304 S/S domed grate, installed as per manufacturers instructions.



Flange width 230mm
(280mm for 150mm outlet)

NOTE:
Substrate to comply with current Viking Roofspec Masterspec specification
Substrate Checksheet available from www.vikingroofspec.co.nz

NOTE:
1/ Overflow to match outlet capacity.
2/ Overflow to be plumbed independent of stormwater, through soffit or exterior wall
3/ Viking Solvent-based Bituminous Primer to all metal and proprietary fitting

DRAWING TITLE

Viking Torch-On
Penetration_Outlet and Overflow

NOTES:

- Viking Waterproof Membrane as notated can be Viking Gemini, Lybra or Phoenix Super.
- All fixings, cladding and structure are indicative only unless notated.



Viking Torch-On systems are CodeMarked

DRAWING

INFORMATION ONLY

Scale:	Date:	Drawn:	Viking
Not to Scale	23/11/2020		

Detail Ref: **VIK_TOR_001_PENEOUTL**

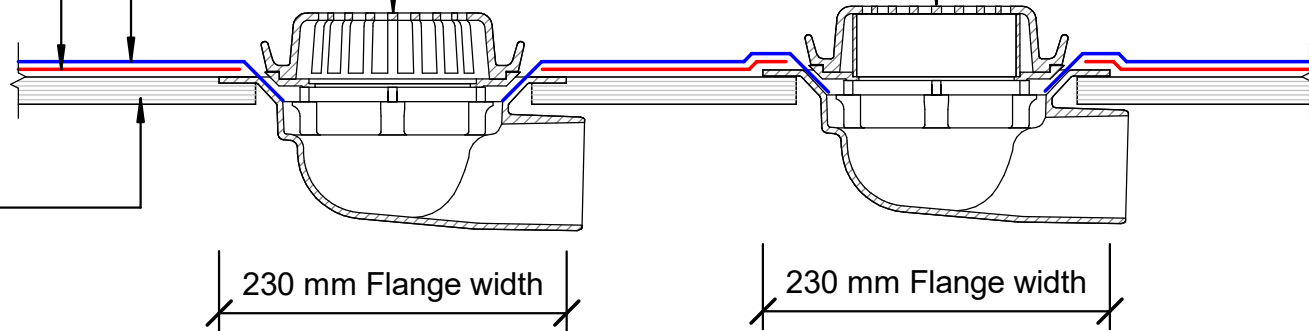
Viking Torch-on CAP sheet 4mm thick, install as per manufacturers instructions

Viking Torch-on BASE sheet 3mm thick, install as per manufacturers instructions

Substrate

Viking 80mmØ side exit clamped drain SDM055 with 304 S/S domed grate, installed as per manufacturers instructions.

Viking 80mmØ side exit clamped overflow drain SDM055 with 304 S/S domed grate, installed as per manufacturers instructions.



NOTE:
 Substrate to comply with current Viking Roofspec Masterspec specification
 Substrate Checksheet available from www.vikingroofspec.co.nz

NOTE:
 1/ Overflow to match outlet capacity.
 2/ Overflow to be plumbed independent of stormwater, through soffit or exterior wall
 3/ Viking Solvent-based Bituminous Primer to all metal and proprietary fitting

DRAWING TITLE

Viking Torch-On
 Penetration_Outlet and Overflow Side Exit

NOTES:

- Viking Waterproof Membrane as notated can be Viking Gemini, Lybra or Phoenix Super.
- All fixings, cladding and structure are indicative only unless notated.



Viking Torch-On systems are CodeMarked

DRAWING

INFORMATION ONLY

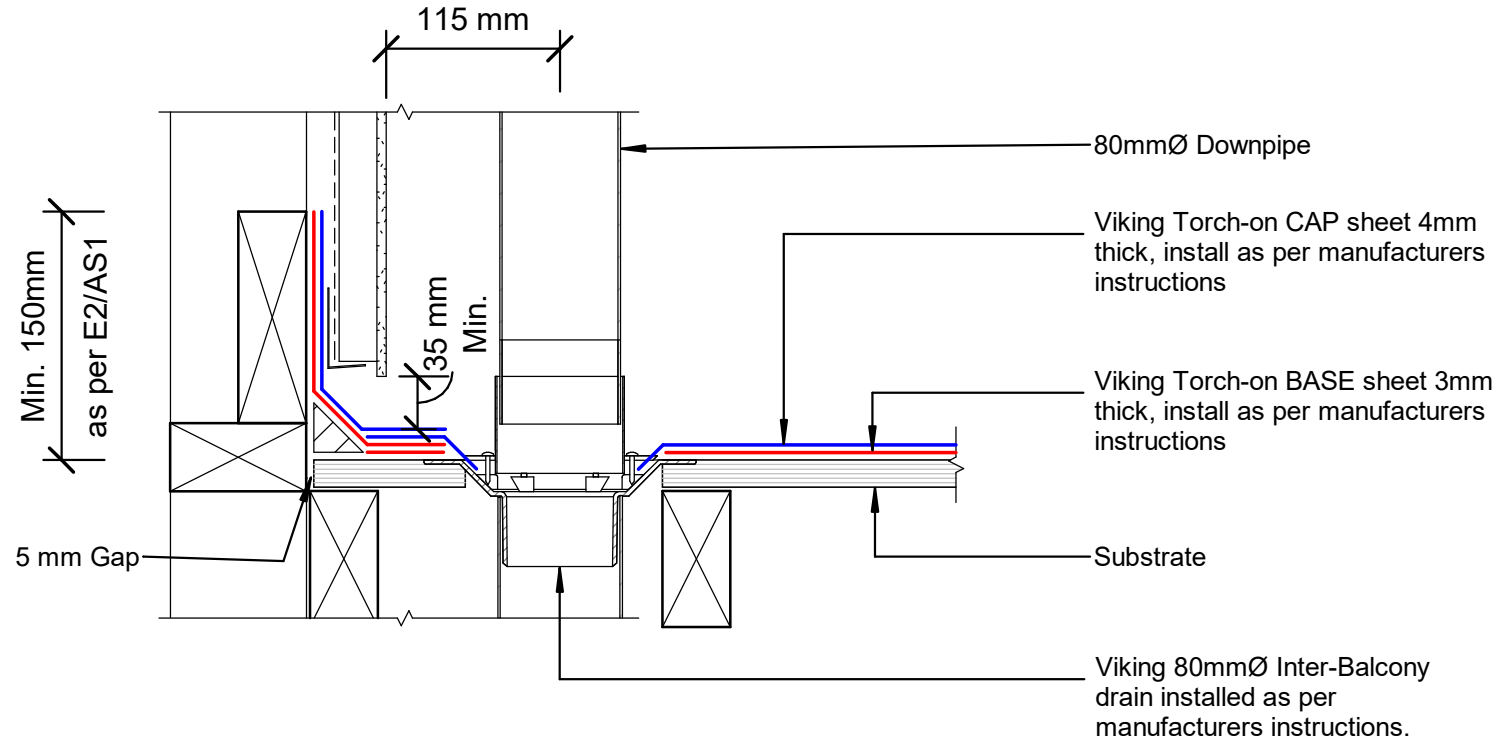
Scale:	Date:	Drawn:	Viking
Not to Scale	23/11/2020		
Detail Ref. VIK_TOR_001A_PENEOUTL			

NOTE:

Substrate to comply with current Viking Roofspec Masterspec specification
Substrate Checksheet available from www.vikingroofspec.co.nz

NOTE:

Inter-Balcony drains are available in the following outlet diameter sizes:
65mm / 80mm / 100mm / 150mm



DRAWING TITLE

Viking Torch-On
Penetration_Balcony Drain 80mm

NOTES:

- Viking Waterproof Membrane as notated can be Viking Gemini, Lybra or Phoenix Super.
- All fixings, cladding and structure are indicative only unless notated.



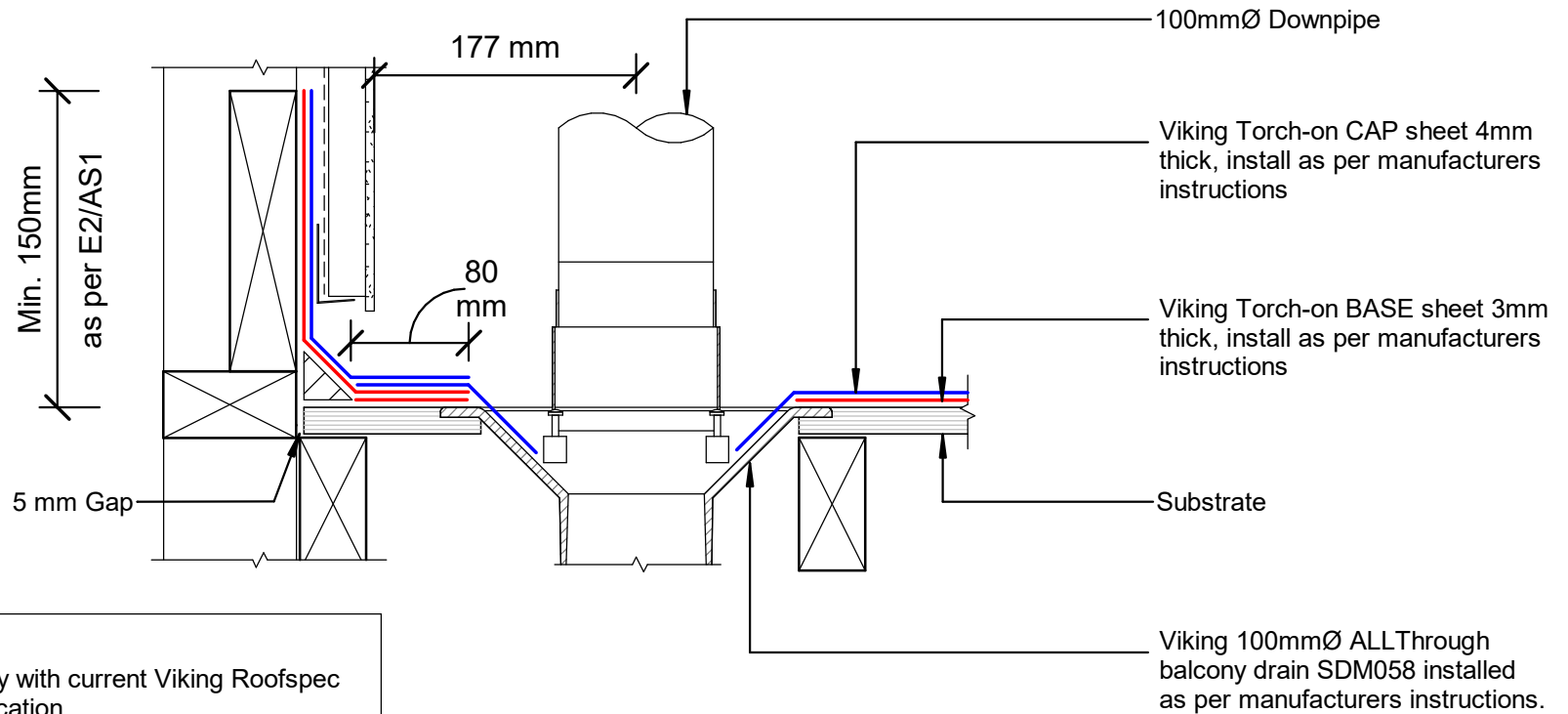
Viking Torch-On systems are CodeMarked

DRAWING

INFORMATION ONLY

Scale:	Date:	Drawn:	Viking
Not to Scale	23/11/2020		

Detail Ref: **VIK_TOR_002_PENEBALC**



NOTE:
 Substrate to comply with current Viking Roofspec Masterspec specification
 Substrate Checksheet available from www.vikingroofspec.co.nz

DRAWING TITLE

Viking Torch-On
 Penetration_Balcony Drain 100mm

NOTES:

- Viking Waterproof Membrane as notated can be Viking Gemini, Lybra or Phoenix Super.
- All fixings, cladding and structure are indicative only unless notated.



Viking Torch-On systems are CodeMarked

DRAWING

INFORMATION ONLY

Scale:	Date:	Drawn:	Viking
Not to Scale	23/11/2020		
Detail Ref: VIK_TOR_002A_PENEBCALC			

Direction of Watershed

Direction of Watershed

Plinth

Vent or Pipe Penetration

DRAWING TITLE

Viking Torch-On
Penetration_Plinth direction to divert watershed

NOTES:

- Viking Waterproof Membrane as notated can be Viking Gemini, Lybra or Phoenix Super.
- All fixings, cladding and structure are indicative only unless notated.



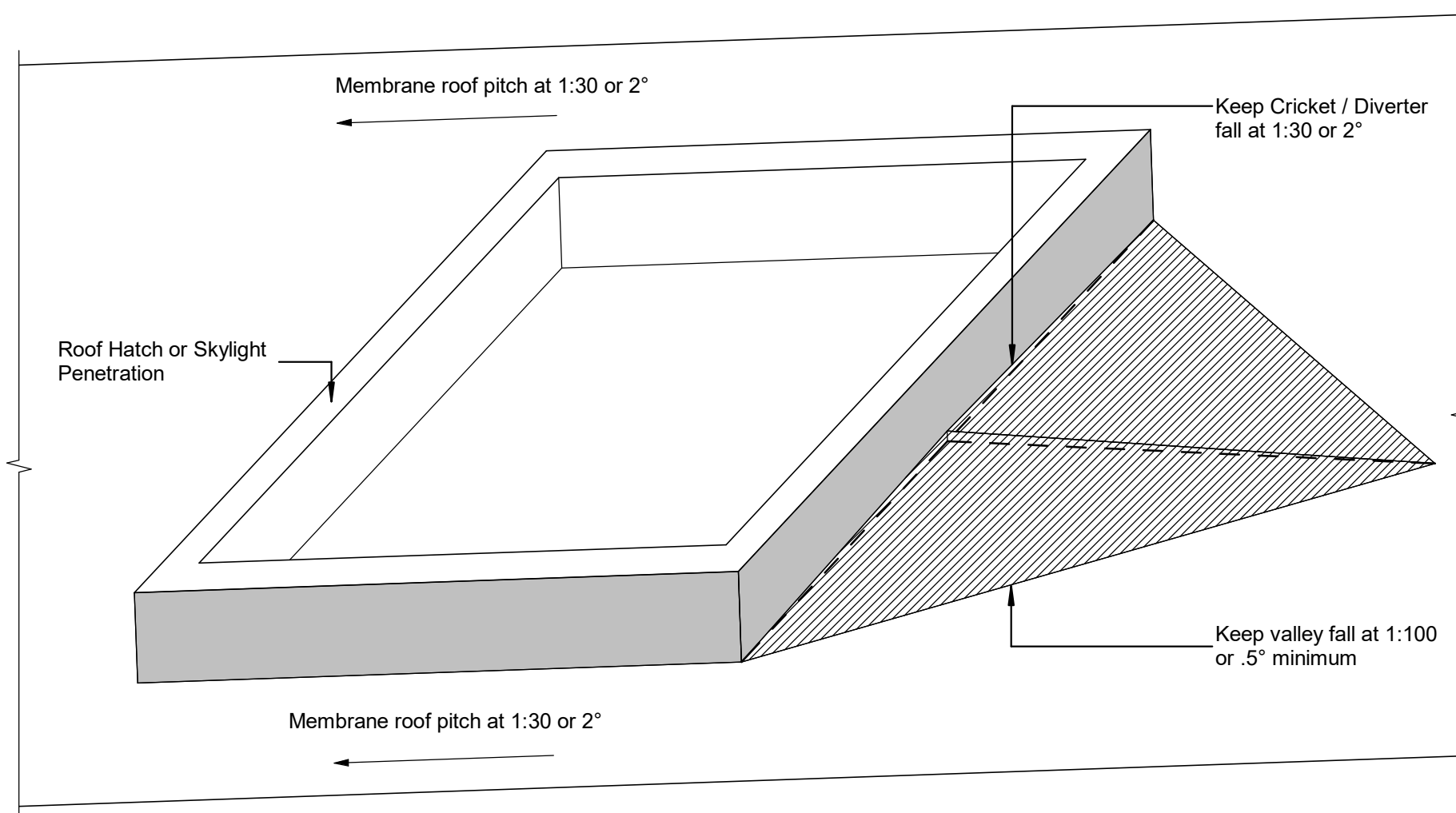
Viking Torch-On systems are CodeMarked

DRAWING

INFORMATION ONLY

Scale: Not to Scale	Date: 23/11/2020	Drawn: Viking
Detail Ref: VIK_TOR_004_PENEPLIN		





DRAWING TITLE

Viking Torch-On
Penetration_Cricket Diverter for watershed

NOTES:

- Viking Waterproof Membrane as notated can be Viking Gemini, Lybra or Phoenix Super.
- All fixings, cladding and structure are indicative only unless notated.



Viking Torch-On systems are CodeMarked

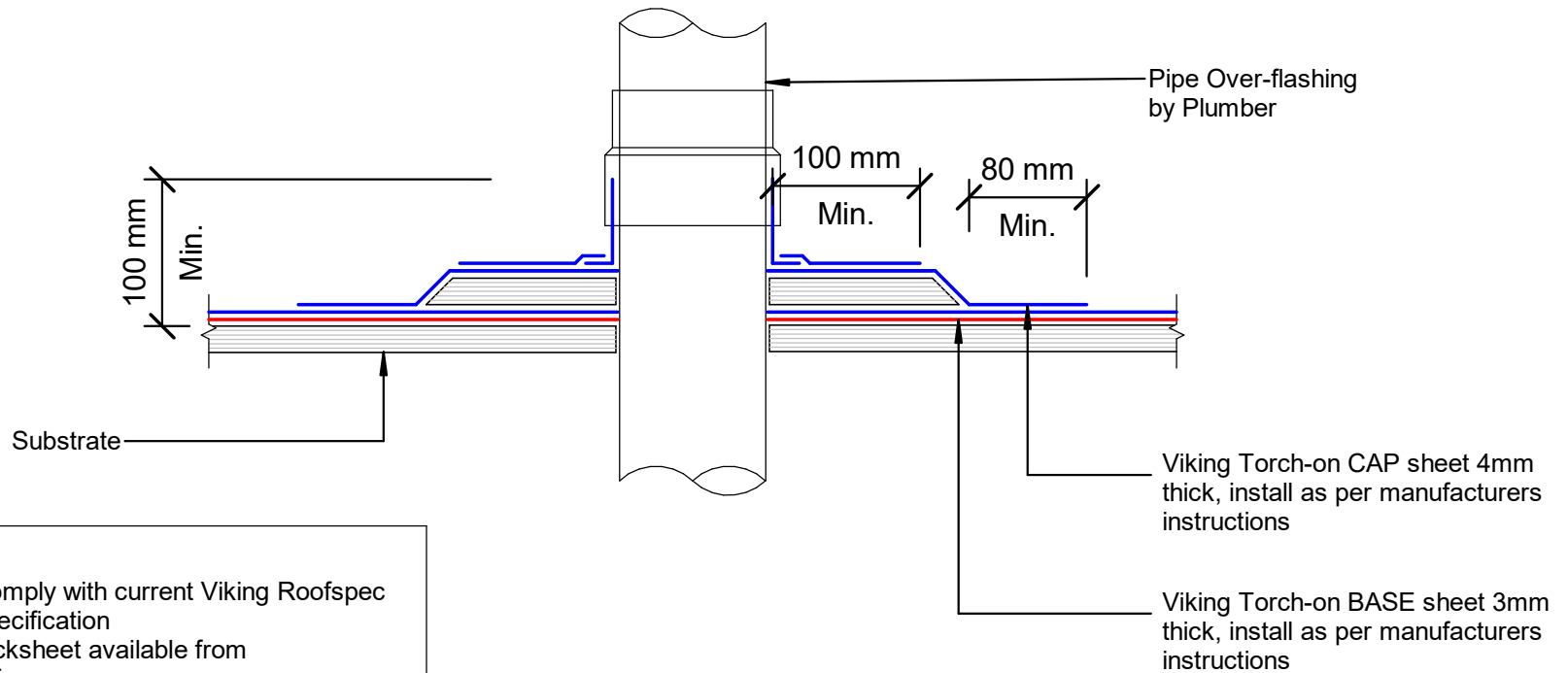
DRAWING

INFORMATION ONLY

Scale:	Date:	Drawn:	Viking
Not to Scale	23/11/2020		
Detail Ref: VIK_TOR_004A_PENECRIK			



NOTE: Refer 04 for Direction of Plinth to watershed



NOTE:
 Substrate to comply with current Viking Roofspec
 Masterspec specification
 Substrate Checksheet available from
www.vikingroofspec.co.nz



DRAWING TITLE
**Viking Torch-On
 Penetration_Vertical pipe**

NOTES:
 • Viking Waterproof Membrane as notated can be Viking Gemini, Lybra or Phoenix Super.
 • All fixings, cladding and structure are indicative only unless notated.

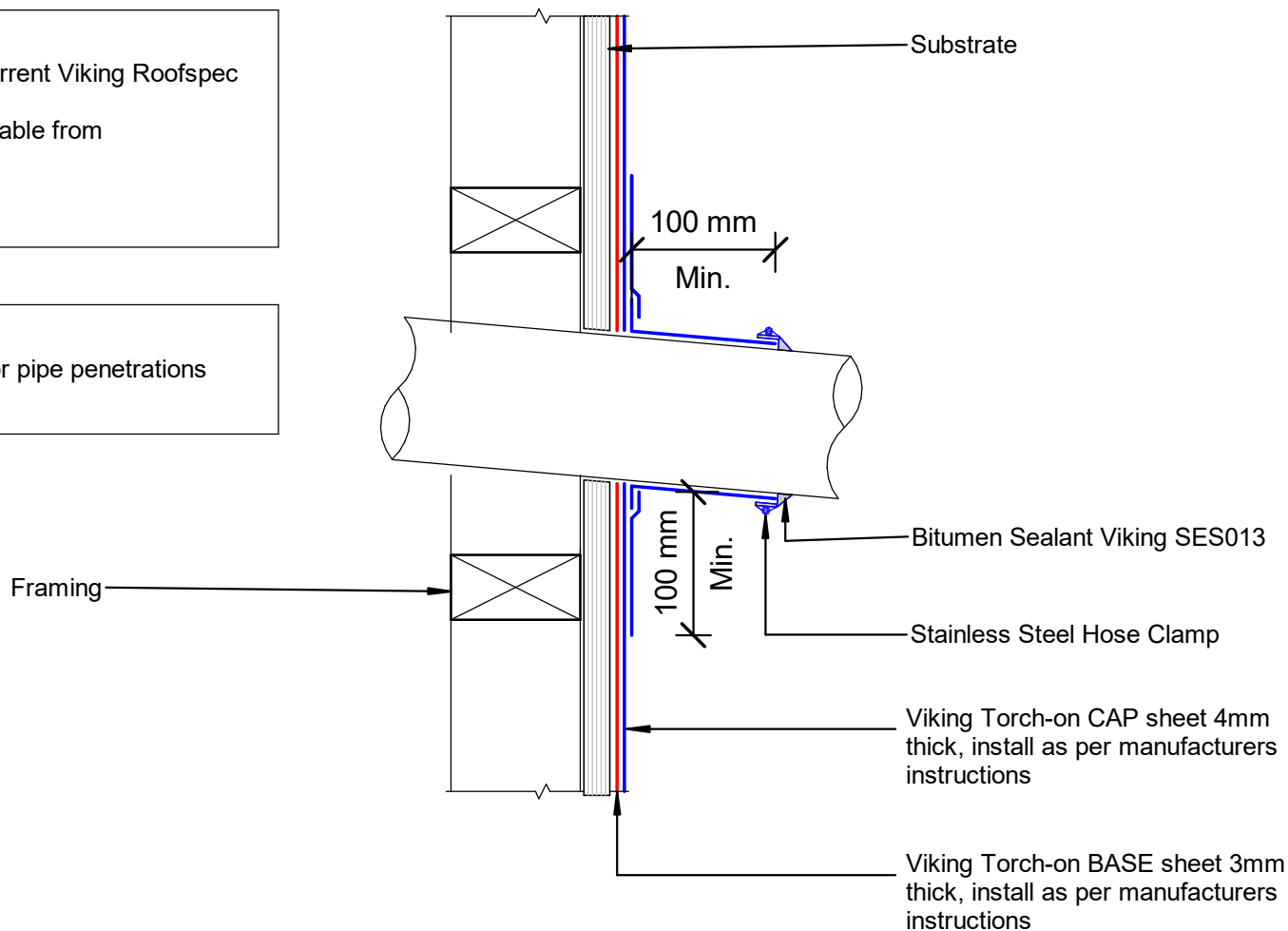


Viking Torch-On systems are CodeMarked
 CODEMARK[®]
 Cert # GM-CM30092

DRAWING INFORMATION ONLY			
Scale:	Date:	Drawn:	Viking
Not to Scale	23/11/2020		
Detail Ref: VIK_TOR_005_VERTPIPE			

NOTE:
 Substrate to comply with current Viking Roofspec
 Masterspec specification
 Substrate Checksheet available from
www.vikingroofspec.co.nz

NOTE:
 A 5° fall is recommended for pipe penetrations



DRAWING TITLE

Viking Torch-On
 Penetration_Horizontal pipe

NOTES:

- Viking Waterproof Membrane as notated can be Viking Gemini, Lybra or Phoenix Super.
- All fixings, cladding and structure are indicative only unless notated.



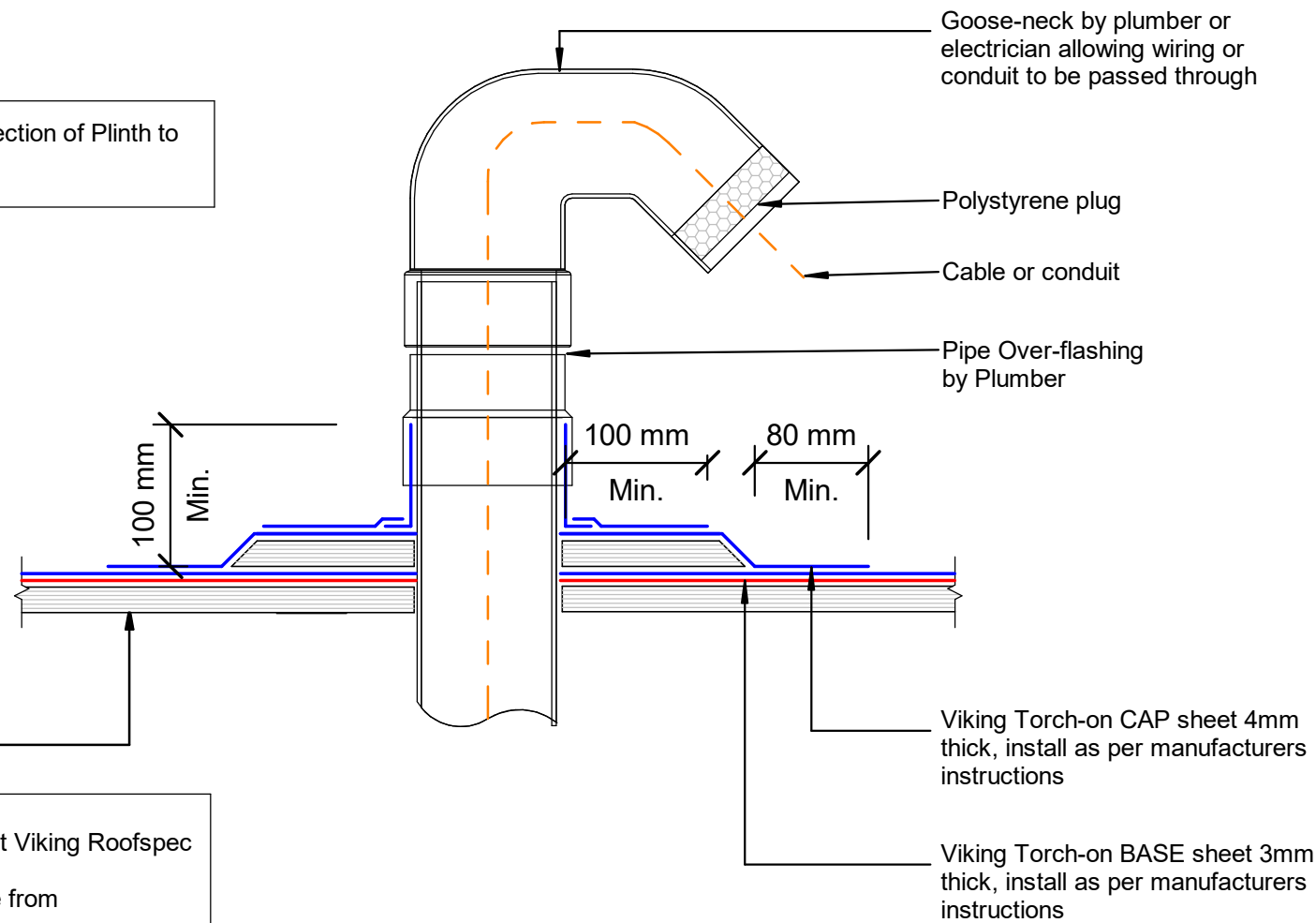
Viking Torch-On
 systems are
 CodeMarked

DRAWING

INFORMATION ONLY

Scale:	Date:	Drawn:	Viking
Not to Scale	23/11/2020		
Detail Ref: VIK_TOR_005A_HORPIPE			

NOTE: Refer TOR_004 for Direction of Plinth to watershed



NOTE:
 Substrate to comply with current Viking Roofspec Masterspec specification
 Substrate Checksheet available from www.vikingroofspec.co.nz

DRAWING TITLE

Viking Torch-On
 Penetration_Vertical ducting pipe

NOTES:

- Viking Waterproof Membrane as notated can be Viking Gemini, Lybra or Phoenix Super.
- All fixings, cladding and structure are indicative only unless notated.



Viking Torch-On systems are CodeMarked

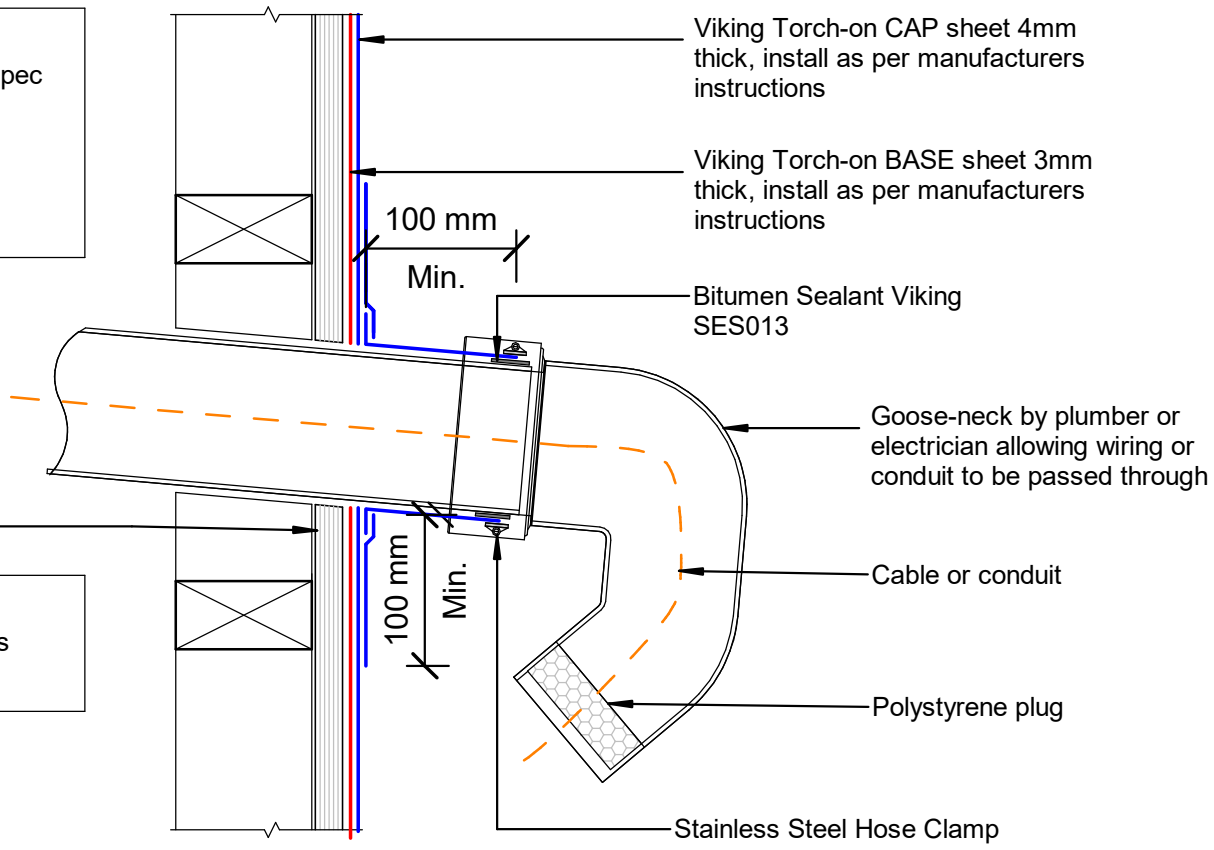
DRAWING

INFORMATION ONLY

Scale:	Date:	Drawn:	Viking
Not to Scale	23/11/2020		
Detail Ref: VIK_TOR_006_VERTDUCT			

NOTE:
 Substrate to comply with current Viking Roofspec
 Masterspec specification
 Substrate Checksheet available from
www.vikingroofspec.co.nz

NOTE:
 A 5° fall is recommended for pipe penetrations



DRAWING TITLE

Viking Torch-On
 Penetration_Horizontal ducting pipe

NOTES:

- Viking Waterproof Membrane as notated can be Viking Gemini, Lybra or Phoenix Super.
- All fixings, cladding and structure are indicative only unless notated.



Viking Torch-On
 systems are
 CodeMarked

DRAWING

INFORMATION ONLY

Scale:	Date:	Drawn:	Viking
Not to Scale	23/11/2020		
Data Ref: VIK_TOR_006A_HORIDUCT			

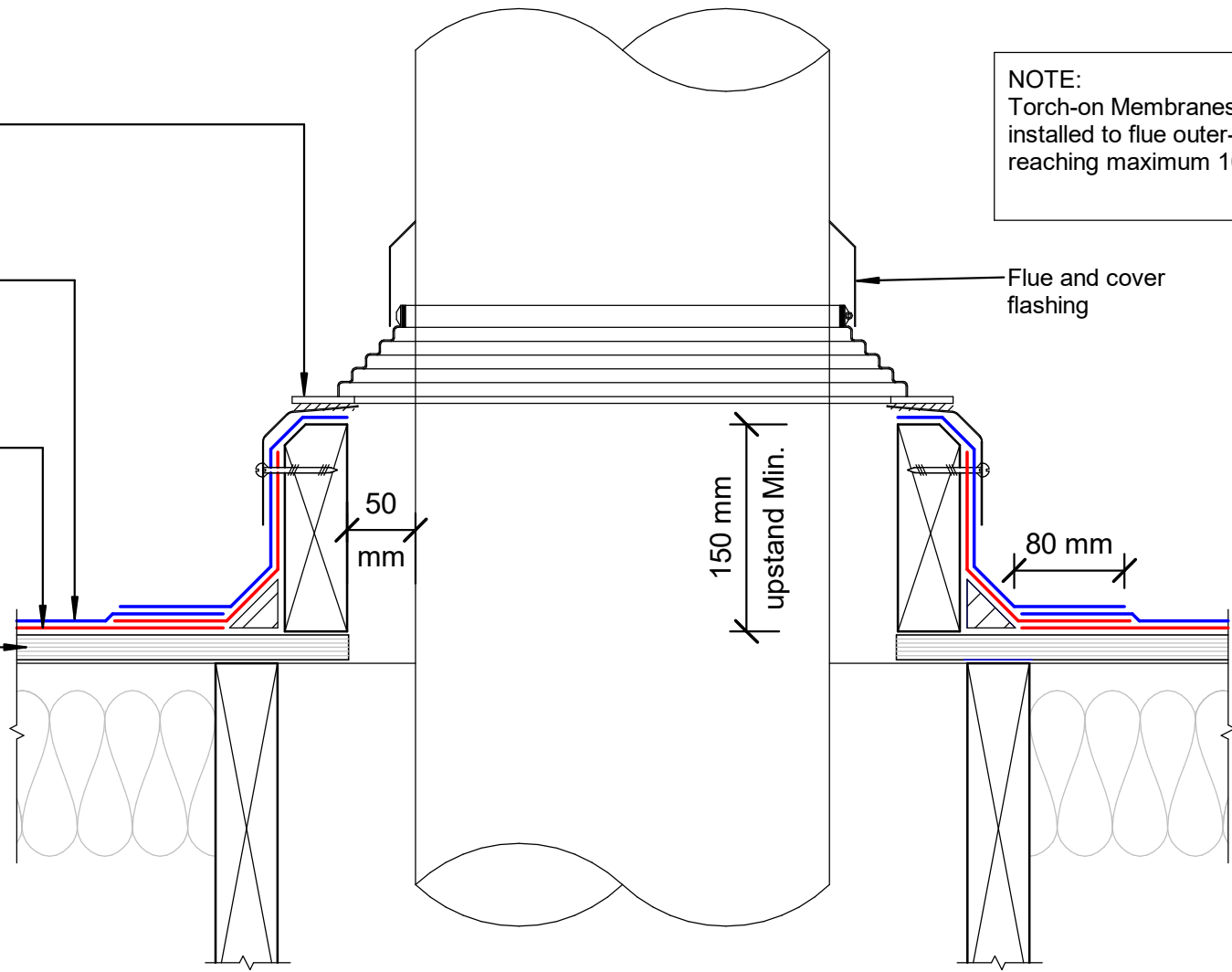
Dektite Aluminium Over Flashing suitable for 115° Ref Dektite for specific flashing

Viking Torch-on CAP sheet 4mm thick, install as per manufacturers instructions

Viking Torch-on BASE sheet 3mm thick, install as per manufacturers instructions

Substrate

NOTE:
Torch-on Membranes can be installed to flue outer-liners reaching maximum 100°C



NOTE:
Substrate to comply with current Viking Roofspec Masterspec specification
Substrate Checksheet available from www.vikingroofspec.co.nz

DRAWING TITLE

Viking Torch-On
Penetration_Flue or Oversize Pipe

NOTES:

- Viking Waterproof Membrane as notated can be Viking Gemini, Lybra or Phoenix Super.
- All fixings, cladding and structure are indicative only unless notated.

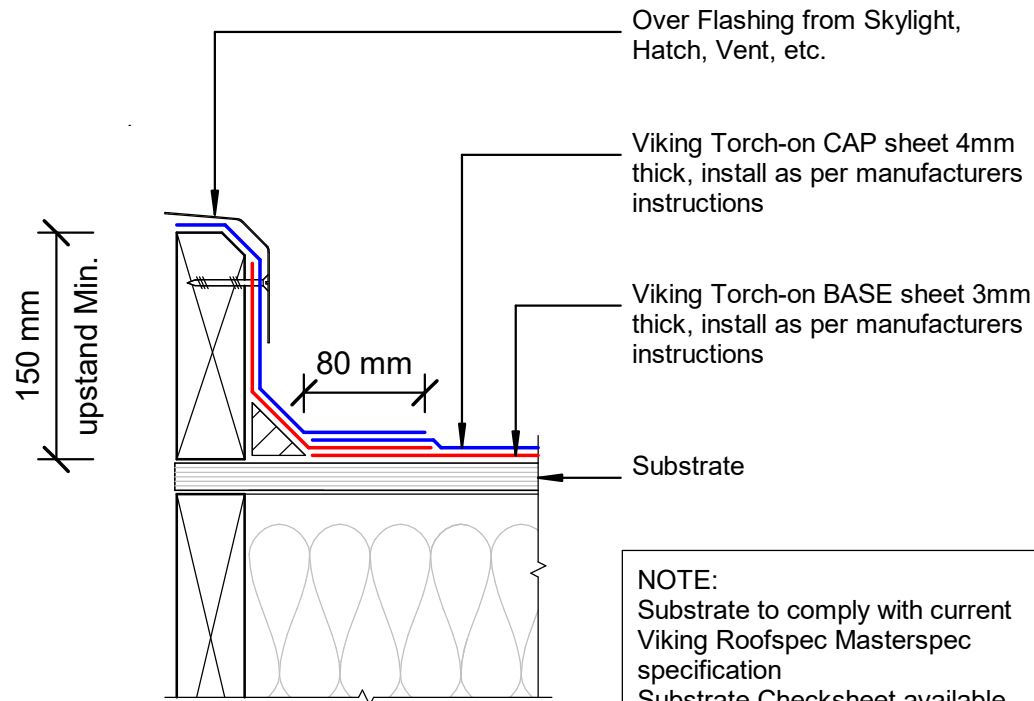


Viking Torch-On systems are CodeMarked

DRAWING INFORMATION ONLY

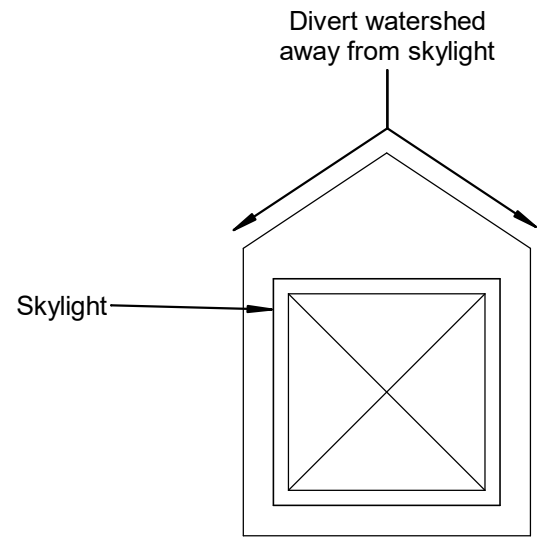
Scale:	Date:	Drawn:	Viking
Not to Scale	23/11/2020		
Detail Ref: VIK_TOR_007_PENEFLUE			





NOTE:
 Substrate to comply with current Viking Roofspec Masterspec specification
 Substrate Checksheet available from www.vikingroofspec.co.nz

NOTE:
 Refer TOR_004A



DRAWING TITLE

Viking Torch-On
 Penetration_Skylight or Roof Access hatch

NOTES:

- Viking Waterproof Membrane as notated can be Viking Gemini, Lybra or Phoenix Super.
- All fixings, cladding and structure are indicative only unless notated.



Viking Torch-On systems are CodeMarked

DRAWING

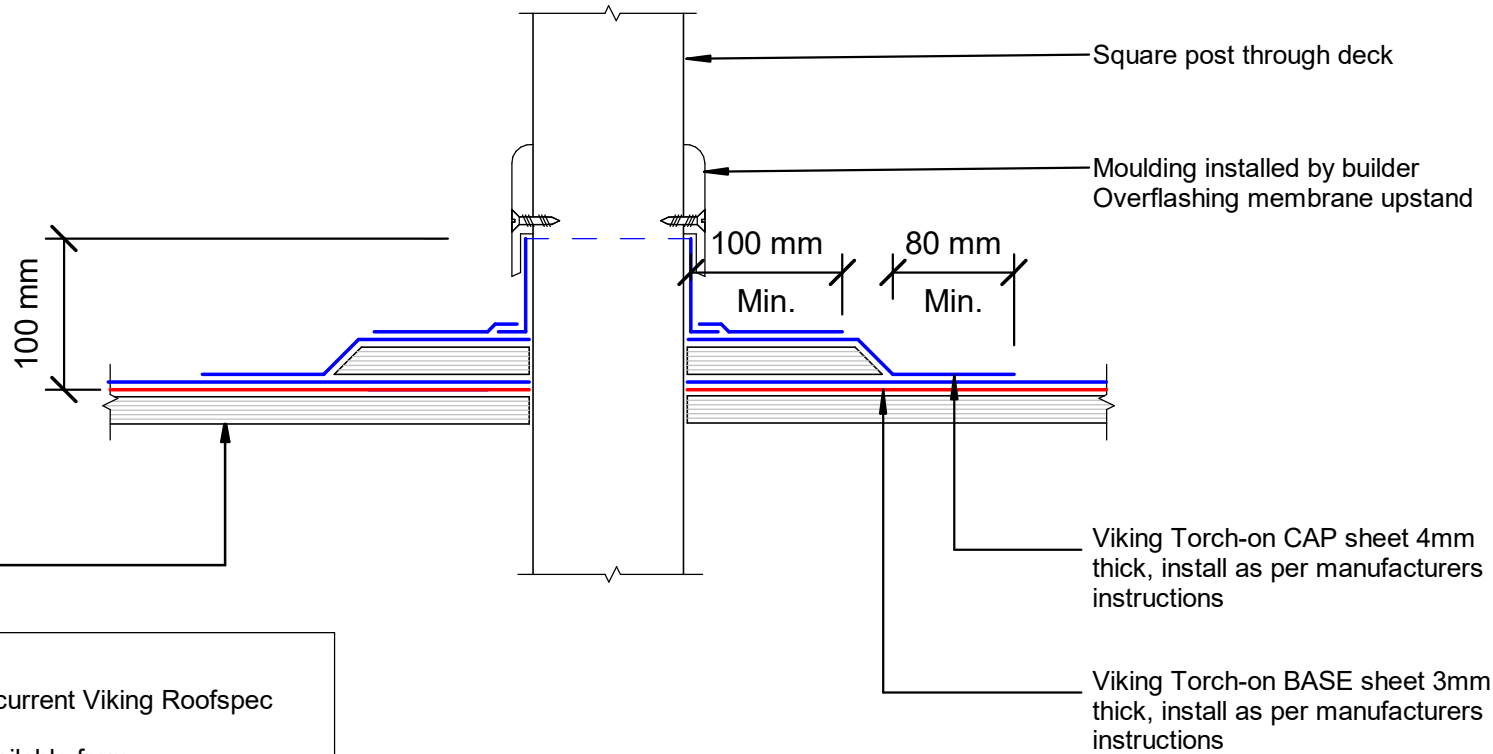
INFORMATION ONLY

Scale:	Date:	Drawn:	Viking
Not to Scale	23/11/2020		
Detail Ref:			

VIK_TOR_008_SKYLACCH



NOTE: Refer TOR_004 for Direction of Plinth to watershed



Substrate

NOTE:
 Substrate to comply with current Viking Roofspec Masterspec specification
 Substrate Checksheet available from www.vikingroofspec.co.nz

Square post through deck

Moulding installed by builder
 Overflashing membrane upstand

100 mm
 Min.
 80 mm
 Min.

Viking Torch-on CAP sheet 4mm thick, install as per manufacturers instructions

Viking Torch-on BASE sheet 3mm thick, install as per manufacturers instructions

DRAWING TITLE

Viking Torch-On
 Penetration_Square Post through decking

NOTES:

- Viking Waterproof Membrane as notated can be Viking Gemini, Lybra or Phoenix Super.
- All fixings, cladding and structure are indicative only unless notated.

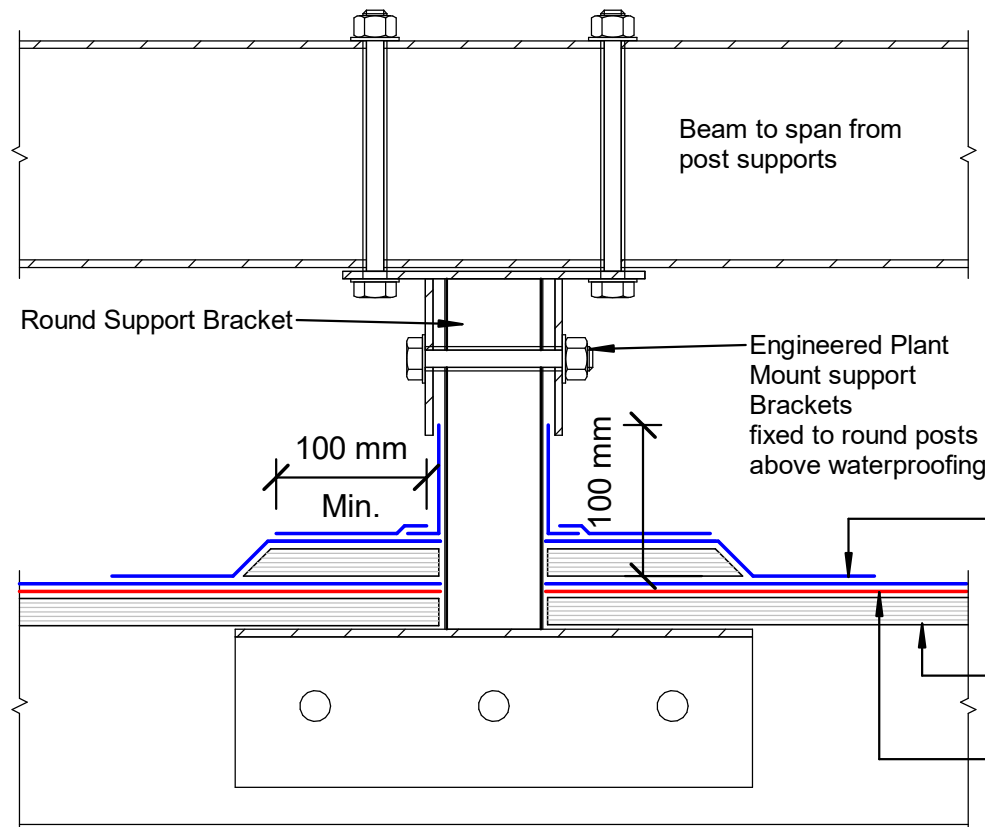


Viking Torch-On systems are CodeMarked

DRAWING

INFORMATION ONLY

Scale:	Date:	Drawn:	Viking
Not to Scale	23/11/2020		
Detail Ref: VIK_TOR_009_POSTDECK			



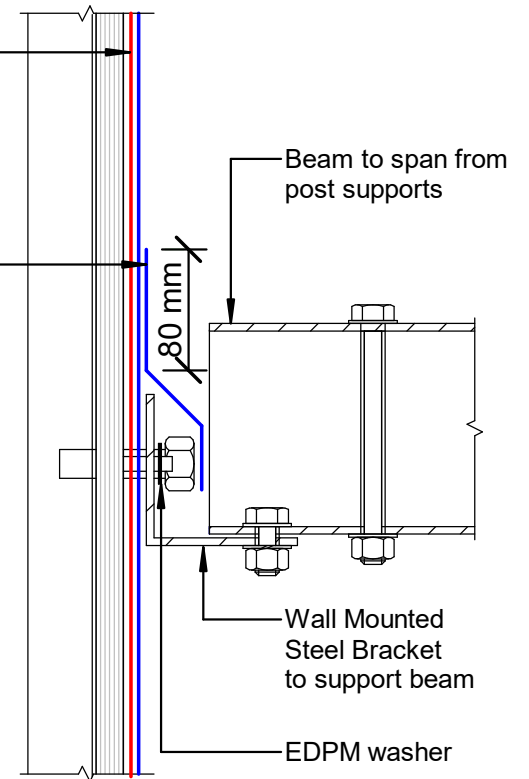
Viking Torch-on BASE sheet 3mm thick, install as per manufacturers instructions

Viking Torch-on CAP sheet 4mm thick, install as per manufacturers instructions

Viking Torch-on CAP sheet 4mm thick, install as per manufacturers instructions

Substrate

Viking Torch-on BASE sheet 3mm thick, install as per manufacturers instructions



Wall Mounted Bracket

NOTE:
Post and Brackets are SED.
Spaced according to weight and beam spanning abilities.
Not supplied by Viking Roofspec.

DRAWING TITLE

Viking Torch-On
Penetration_Post or Rail for Plant Room equipment

NOTES:

- Viking Waterproof Membrane as notated can be Viking Gemini, Lybra or Phoenix Super.
- All fixings, cladding and structure are indicative only unless notated.



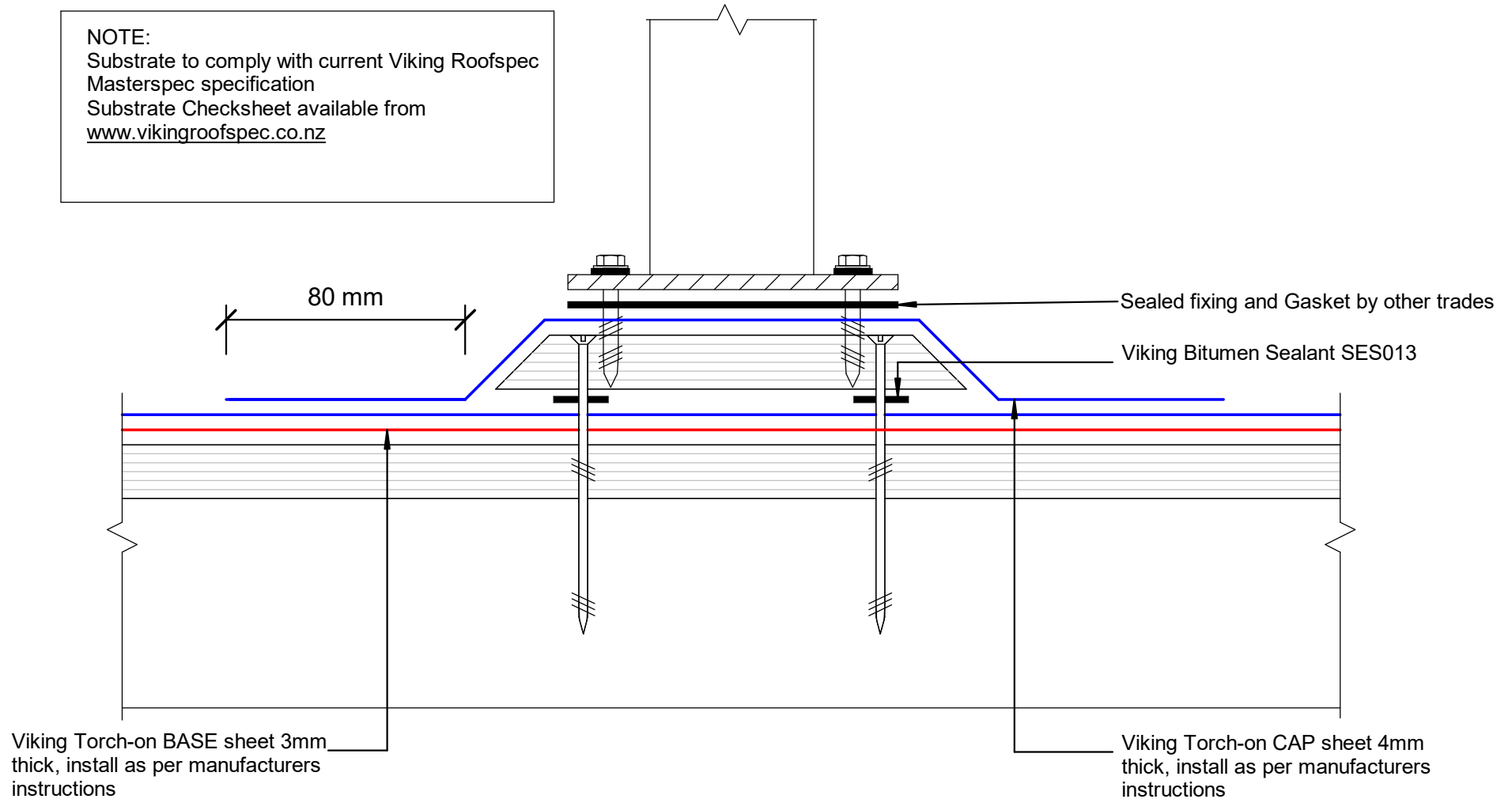
Viking Torch-On systems are CodeMarked

DRAWING

INFORMATION ONLY

Scale:	Date:	Drawn:	Viking
Not to Scale	23/11/2020		
Detail Ref: VIK_TOR_011_PENEPOST			

NOTE:
 Substrate to comply with current Viking Roofspec
 Masterspec specification
 Substrate Checksheet available from
www.vikingroofspec.co.nz



DRAWING TITLE

Viking Torch-On
 Penetration_Plinth base for Balustrade

NOTES:

- Viking Waterproof Membrane as notated can be Viking Gemini, Lybra or Phoenix Super.
- All fixings, cladding and structure are indicative only unless notated.



Viking Torch-On
 systems are
 CodeMarked

DRAWING

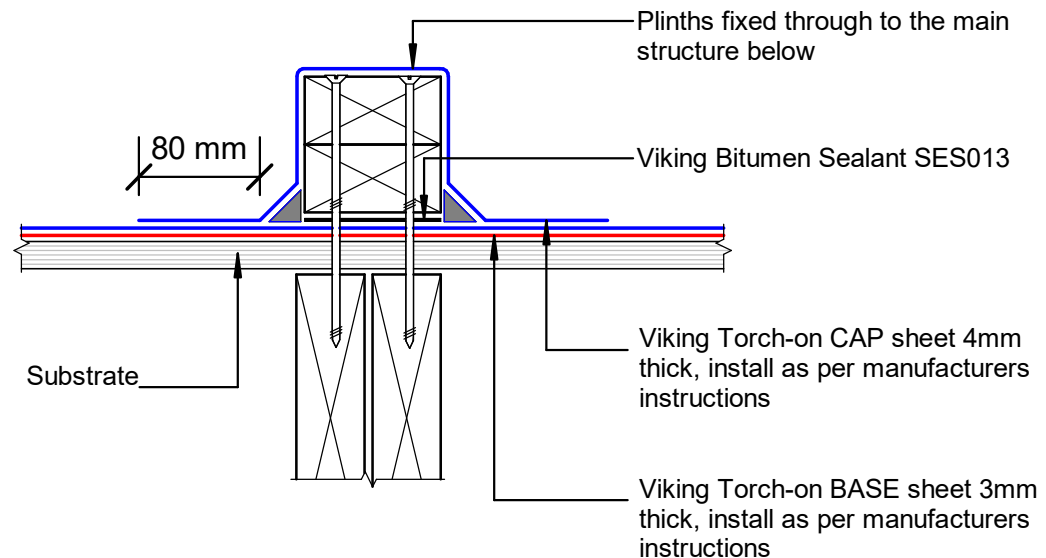
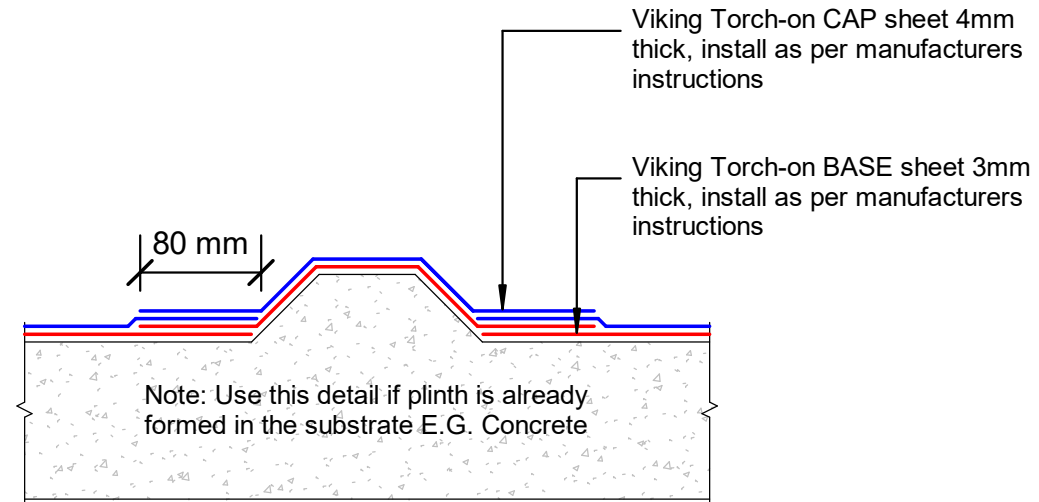
INFORMATION ONLY

Scale:	Date:	Drawn:	Viking
Not to Scale	23/11/2020		
Detail Ref: VIK_TOR_012_PENEPLIN			

NOTE:
 Substrate to comply with current Viking Roofspec Masterspec specification
 Substrate Checksheet available from www.vikingroofspec.co.nz

NOTE:
 Consider Viking Detail TOR_011 as a better option for supporting Mechanical Plant on membrane roofs.
Although Viking Roofspec do not recommend fixing posts or plant through the top of Membrane roofs or decks if this is required then use a plinth detail provides the fixing by other trades are kept off the main deck flood area.
 Viking Roofspec recommend that any fixing of plant is kept independent of the membrane roof ideally through vertical surfaces such as parapets.
All Fixings must be sealed

NOTE:
 Viking Roofspec or our Approved Applicators do not warranty fixings installed by other trades.



DRAWING TITLE

Viking Torch-On
 Penetration_Plinth for concrete or timber

NOTES:

- Viking Waterproof Membrane as notated can be Viking Gemini, Lybra or Phoenix Super.
- All fixings, cladding and structure are indicative only unless notated.



Viking Torch-On systems are CodeMarked

DRAWING

INFORMATION ONLY

Scale:	Date:	Drawn:	Viking
Not to Scale	23/11/2020		
Detail Ref: VIK_TOR_013_PENEPLIN			

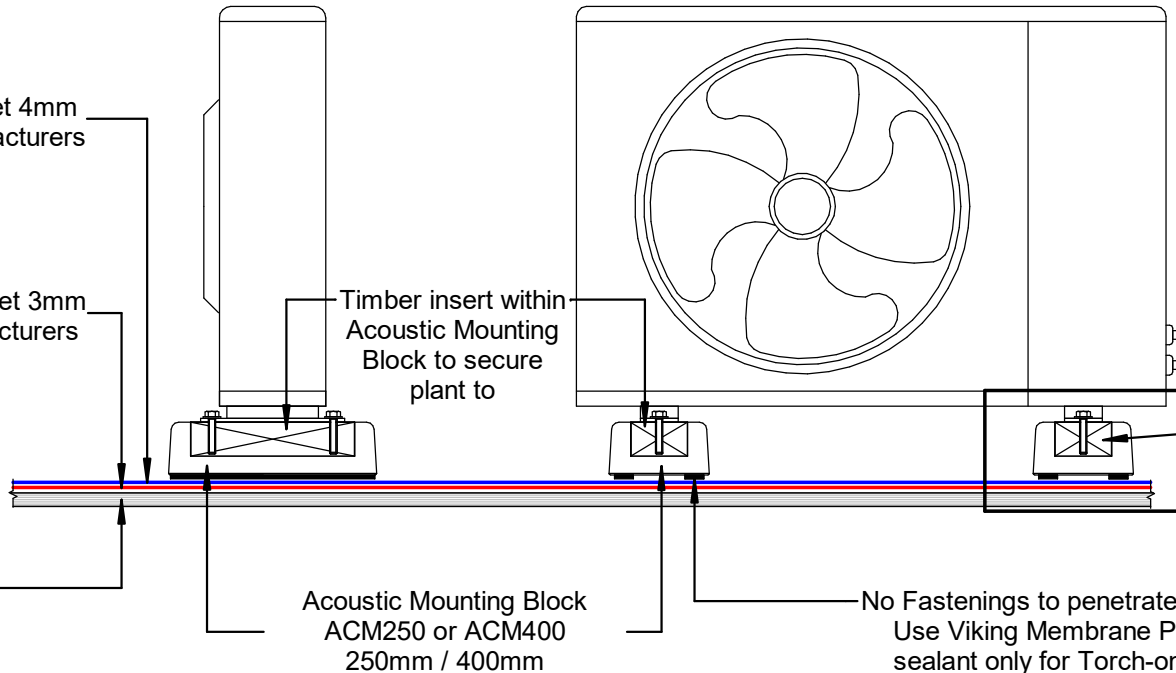
NOTE:

Substrate to comply with current Viking
 Roofspec Masterspec specification
 Substrate Checksheet available from
www.vikingroofspec.co.nz

Viking Torch-on CAP sheet 4mm
 thick, install as per manufacturers
 instructions

Viking Torch-on BASE sheet 3mm
 thick, install as per manufacturers
 instructions

Substrate



Secure sealed fixing into the
 Timber insert without
 penetrating Viking
 Waterproofing Membrane

No Fastenings to penetrate membrane.
 Use Viking Membrane Proprietary
 sealant only for Torch-on SES013

DRAWING TITLE

Viking Torch-On
 Penetration_Acoustic Mounting Block

NOTES:

- Viking Waterproof Membrane as noted can be Viking Gemini, Lybra or Phoenix Super.
- All fixings, cladding and structure are indicative only unless notated.



Viking Torch-On
 systems are
 CodeMarked

DRAWING

INFORMATION ONLY

Scale:	Date:	Drawn:	Viking
Not to Scale	23/11/2020		
Detail Ref: VIK_TOR_014_PENEACOU			

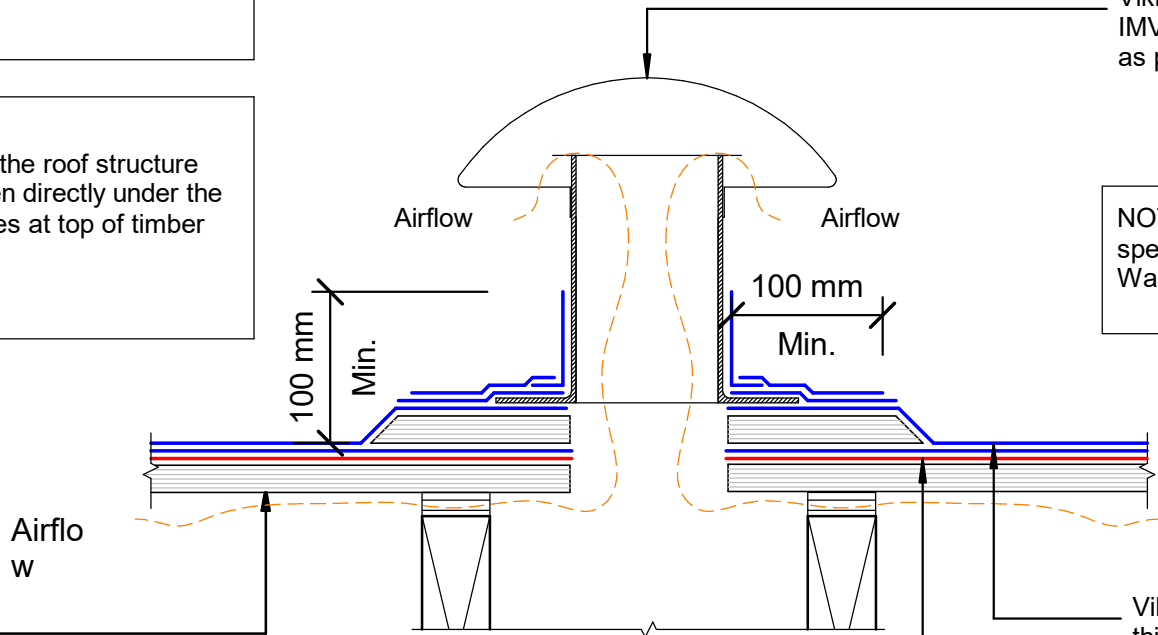
NOTE: How many vents?
Refer Viking Technical Note Venting .

NOTE: Refer TOR_004 for Direction of Plinth to watershed

NOTE:
Ensure cross-ventilation within the roof structure
E.G. use of a Castellated Batten directly under the Ply substrate or drill 20mm holes at top of timber supports

Viking 215mm high roof vent IMV111 with black dome, installed as per manufacturers instructions.

NOTE: Venting not required if specifying Viking WarmRoof or WarmSpan systems



Substrate

Airflow

Airflow

Airflow

Airflow

NOTE:
Substrate to comply with current Viking Roofspec Masterspec specification
Substrate Checksheet available from www.vikingroofspec.co.nz

Viking Torch-on CAP sheet 4mm thick, install as per manufacturers instructions

Viking Torch-on BASE sheet 3mm thick, install as per manufacturers instructions

DRAWING TITLE

Viking Torch-On
Ventilation_Cavity Vent

NOTES:

- Viking Waterproof Membrane as notated can be Viking Gemini, Lybra or Phoenix Super.
- All fixings, cladding and structure are indicative only unless notated.



Viking Torch-On systems are CodeMarked

DRAWING

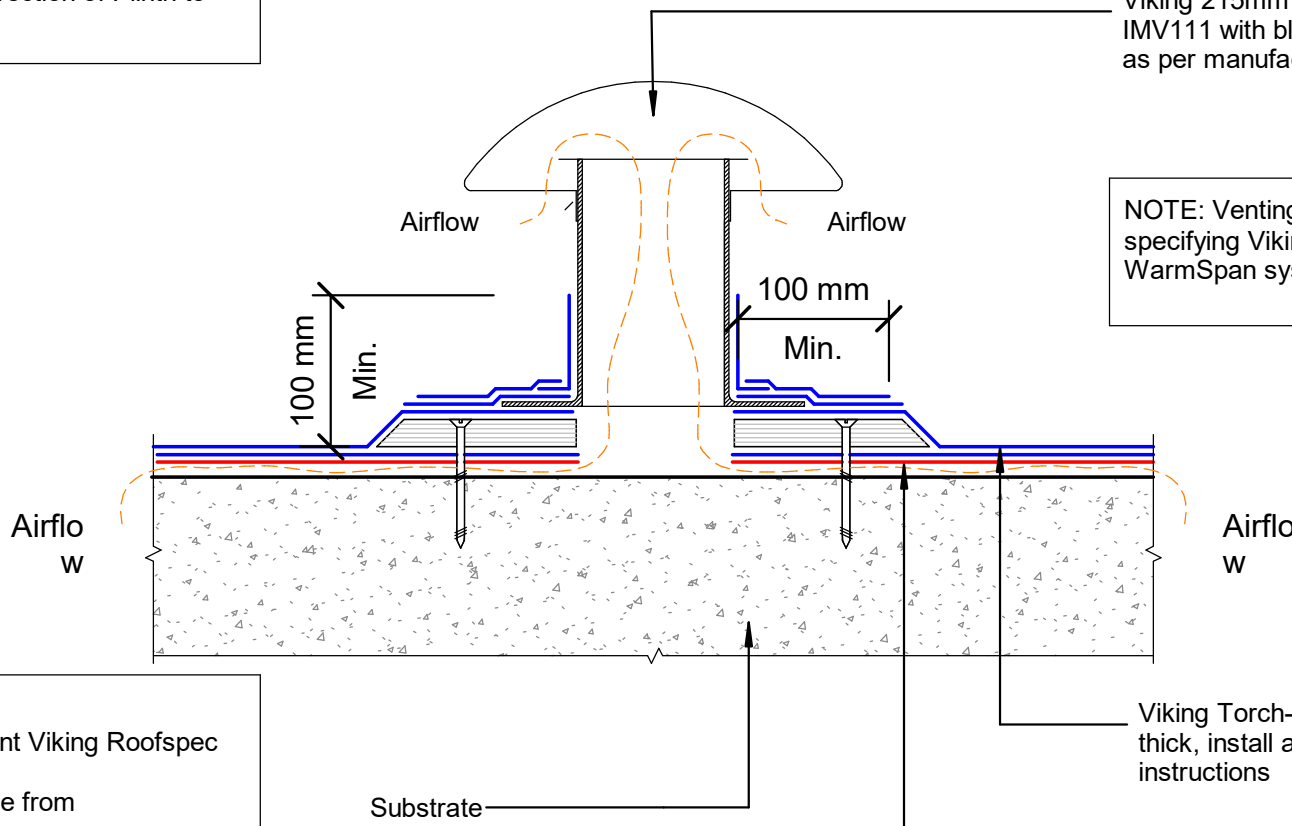
INFORMATION ONLY

Scale:	Date:	Drawn:	Viking
Not to Scale	23/11/2020		
Detail Ref: VIK_TOR_020_VENTCAVI			

NOTE: How many vents?
Refer Viking Technical Note Venting .

Viking 215mm high roof vent
IMV111 with black dome, installed
as per manufacturers instructions.

NOTE: Venting not required if
specifying Viking WarmRoof or
WarmSpan systems



NOTE: Refer TOR_004 for Direction of Plinth to
watershed

NOTE:
Substrate to comply with current Viking Roofspec
Masterspec specification
Substrate Checksheet available from
www.vikingroofspec.co.nz

Viking Torch-on CAP sheet 4mm
thick, install as per manufacturers
instructions

Viking Torch-on Isolink Vented
Base Sheet 3mm thick, installed
as per manufacturers instructions

DRAWING TITLE

Viking Torch-On
Ventilation_Substrate Roof vent for concrete

NOTES:

- Viking Waterproof Membrane as notated can be Viking Gemini, Lybra or Phoenix Super.
- All fixings, cladding and structure are indicative only unless notated.



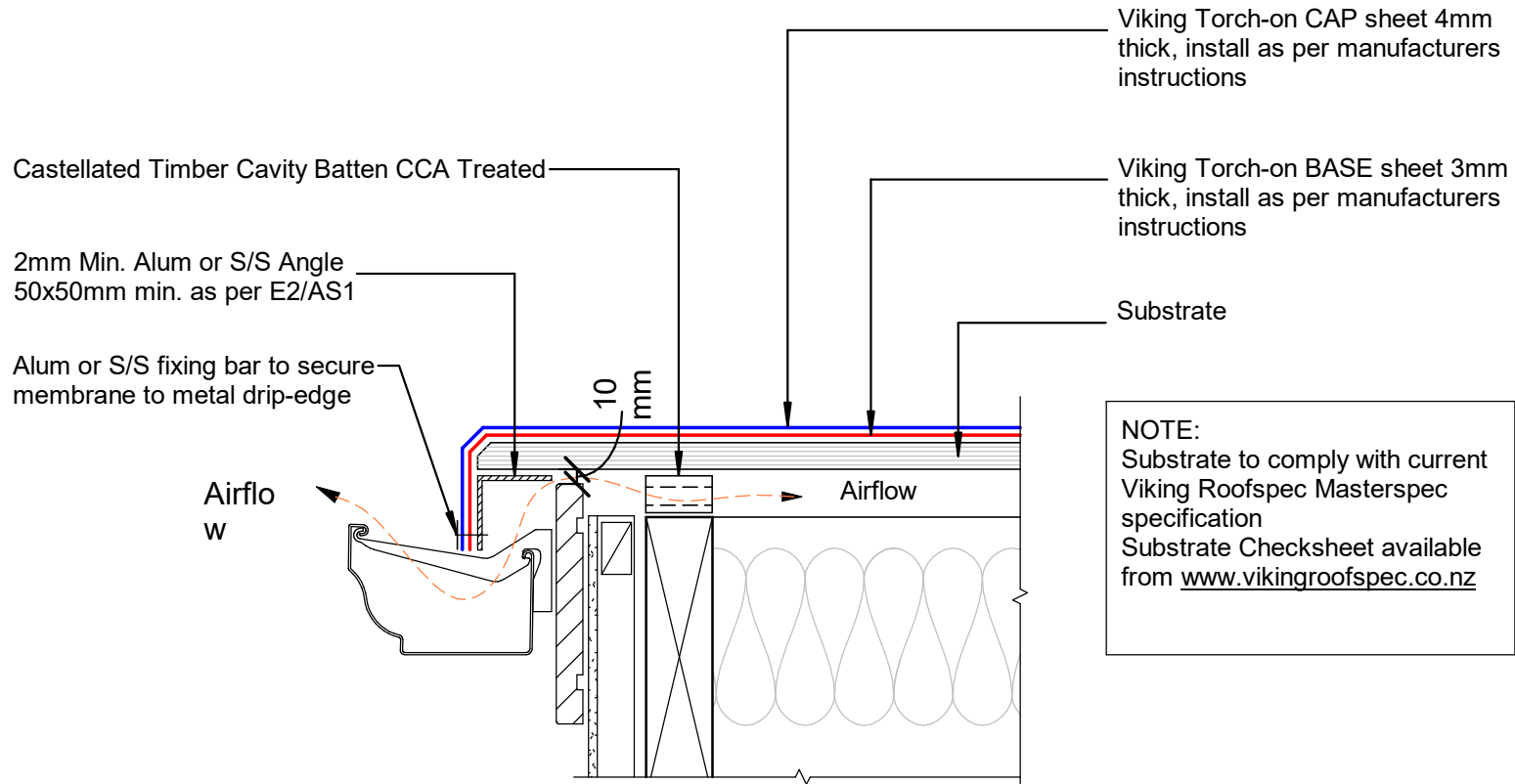
Viking Torch-On
systems are
CodeMarked

DRAWING

INFORMATION ONLY

Scale:	Date:	Drawn:	Viking
Not to Scale	23/11/2020		
Detail Ref. VIK_TOR_020C_VENTROOF			





NOTE:
 Substrate to comply with current Viking Roofspec Masterspec specification
 Substrate Checksheet available from www.vikingroofspec.co.nz

NOTE:
 E2.3.5 Concealed spaces and cavities in buildings must be constructed in a way that prevents external moisture being accumulated or transferred and causing condensation, fungal growth, or the degradation of building elements

NOTE: VENTING
 Alternatively vent through Soffit or through top of roof with Viking Cavity Vents

DRAWING TITLE

Viking Torch-On
 Ventilation_Cavity vent at Drip edge

NOTES:

- Viking Waterproof Membrane as notated can be Viking Gemini, Lybra or Phoenix Super.
- All fixings, cladding and structure are indicative only unless notated.



Viking Torch-On systems are CodeMarked

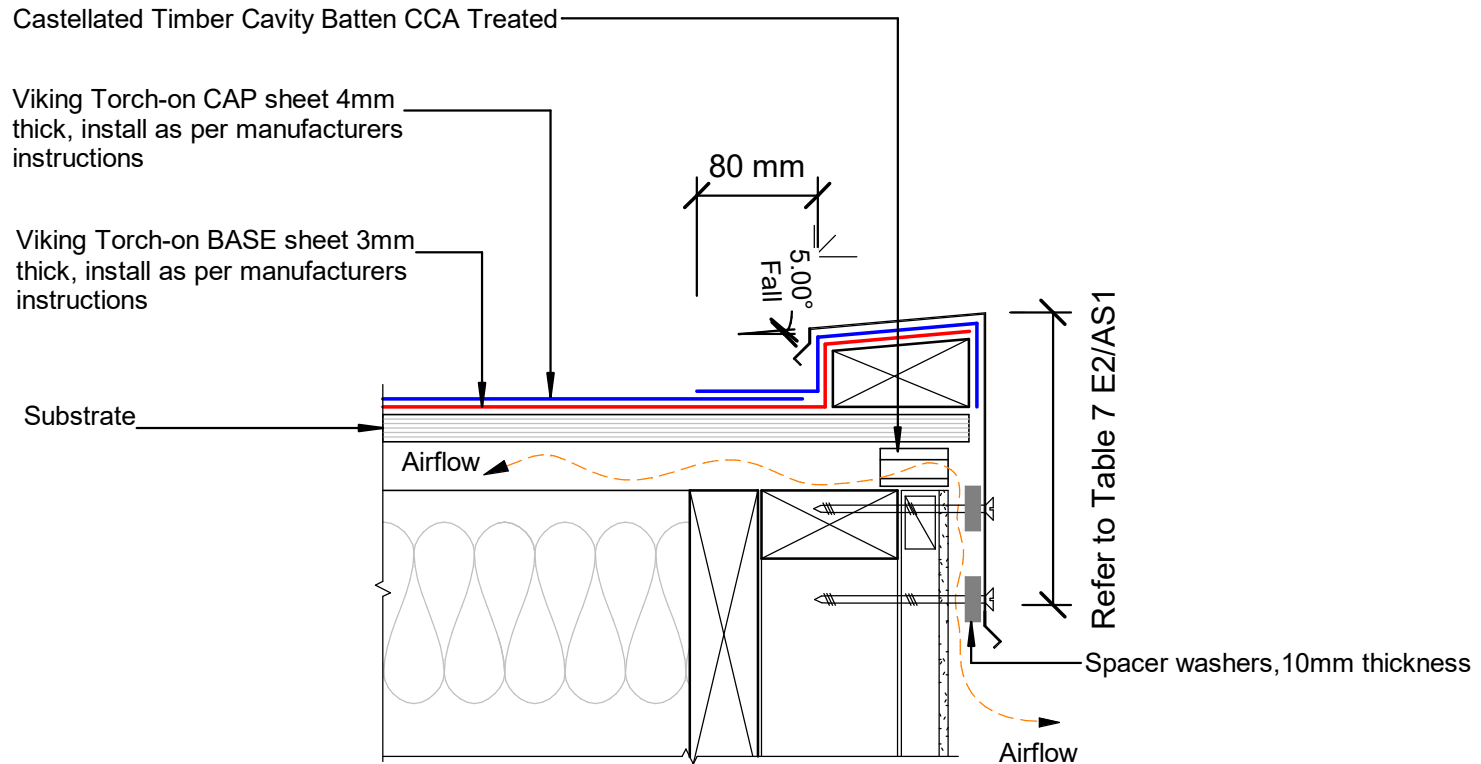
DRAWING

INFORMATION ONLY

Scale:	Date:	Drawn:	Viking
Not to Scale	23/11/2020		
Detail Ref:			

VIK_TOR_021_VENTDRIP





NOTE:
 Substrate to comply with current Viking Roofspec Masterspec specification
 Substrate Checksheet available from www.vikingroofspec.co.nz

NOTE: VENTING
 Alternatively vent through Soffit or through top of roof with Viking Cavity Vents

DRAWING TITLE

Viking Torch-On
 Ventilation_Cavity vent at Parapet

NOTES:

- Viking Waterproof Membrane as notated can be Viking Gemini, Lybra or Phoenix Super.
- All fixings, cladding and structure are indicative only unless notated.



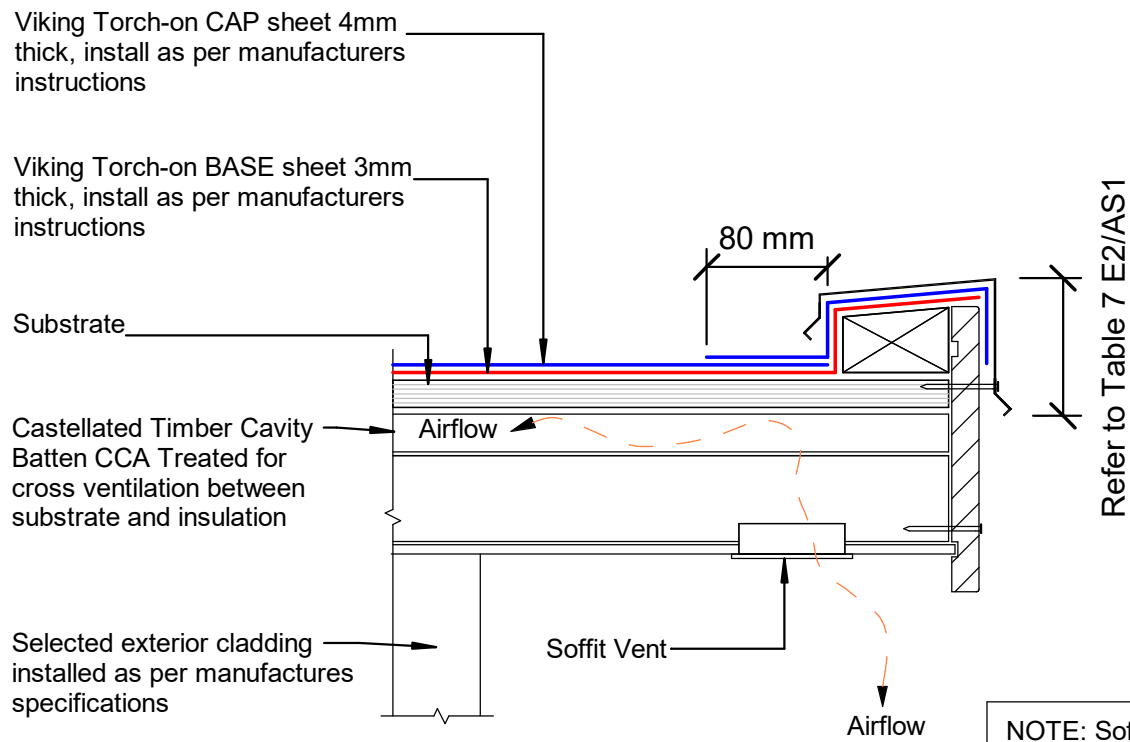
Viking Torch-On systems are CodeMarked

DRAWING

INFORMATION ONLY

Scale:	Date:	Drawn:	Viking
Not to Scale	23/11/2020		
Detail Ref: VIK_TOR_021A_VENTPAPA			





NOTE:
 Substrate to comply with current Viking Roofspec Masterspec specification
 Substrate Checksheet available from www.vikingroofspec.co.nz

NOTE: Soffit Vents may be louvre vents or others

NOTE: VENTING
 Alternatively vent through Soffit or through top of roof with Viking Cavity Vents

DRAWING TITLE

Viking Torch-On
 Ventilation_Cavity vent through Soffit

NOTES:

- Viking Waterproof Membrane as notated can be Viking Gemini, Lybra or Phoenix Super.
- All fixings, cladding and structure are indicative only unless notated.

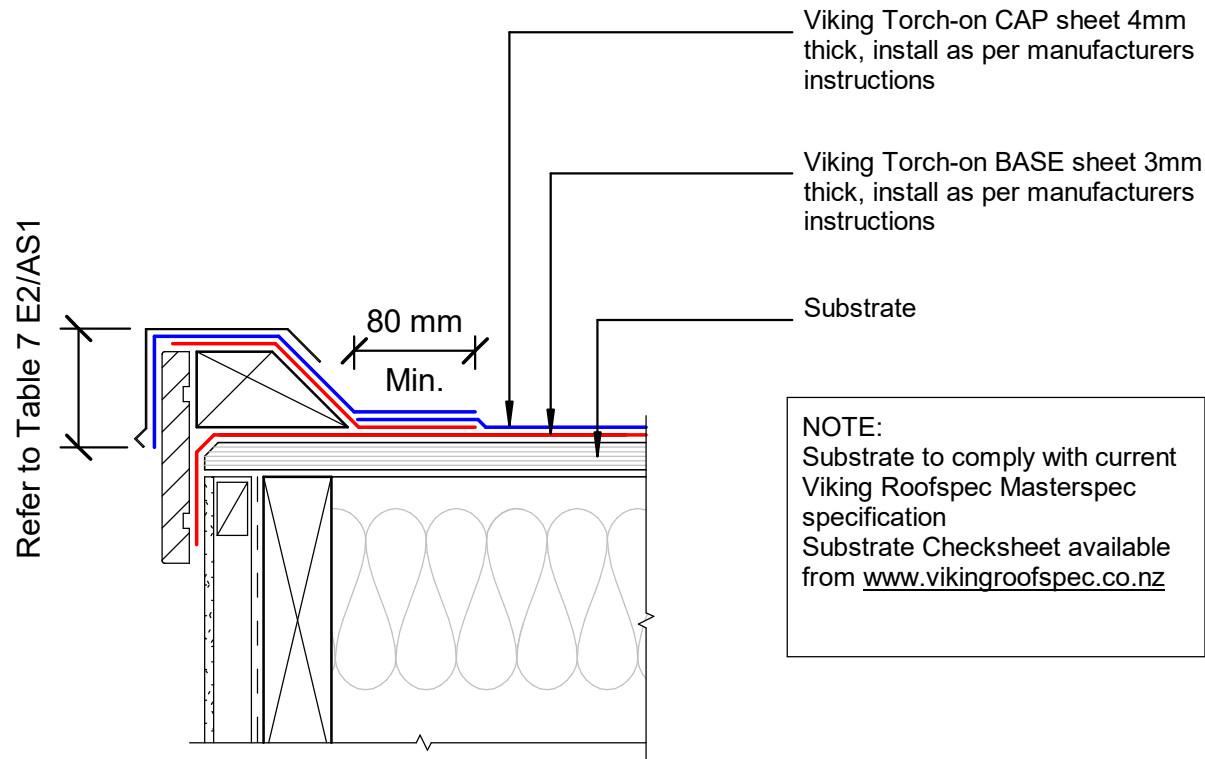


Viking Torch-On systems are CodeMarked

DRAWING

INFORMATION ONLY

Scale:	Date:	Drawn:	Viking
Not to Scale	23/11/2020		
Detail Ref. VIK_TOR_021B_VENTSOFF			



DRAWING TITLE

Viking Torch-On
Verge_Barge

NOTES:

- Viking Waterproof Membrane as notated can be Viking Gemini, Lybra or Phoenix Super.
- All fixings, cladding and structure are indicative only unless notated.



Viking Torch-On systems are CodeMarked

DRAWING

INFORMATION ONLY

Scale:	Date:	Drawn:	Viking
Not to Scale	23/11/2020		

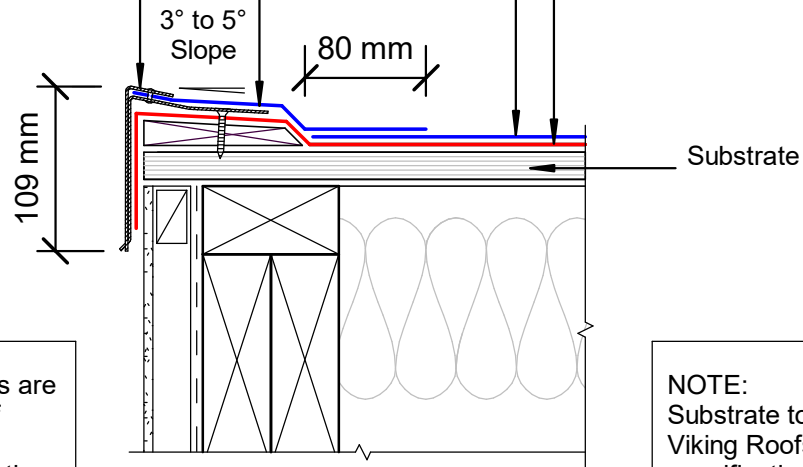
Detail Ref: **VIK_TOR_030_VERGBARG**

NOTE: Apply Solvent Based Bituminous Primer SES299

Viking Architectural Finishing Series IMT700/701 barge flashing, installed as per manufacturers instructions.

Viking Torch-on CAP sheet 4mm thick, install as per manufacturers instructions

Viking Torch-on BASE sheet 3mm thick, install as per manufacturers instructions



NOTE: Viking AFS Barge Flashings are angled to suit 5° slope to the top of Parapet or Barge. For slopes greater than 5° modifications to these flashings or allow 6 weeks pre-order with Roofspec.

NOTE: Substrate to comply with current Viking Roofspec Masterspec specification. Substrate Checksheet available from www.vikingroofspec.co.nz

DRAWING TITLE

Viking Torch-On
Verge_Barge with Low Profile AFS

NOTES:

- Viking Waterproof Membrane as notated can be Viking Gemini, Lybra or Phoenix Super.
- All fixings, cladding and structure are indicative only unless notated.



Viking Torch-On systems are CodeMarked

DRAWING

INFORMATION ONLY

Scale:	Date:	Drawn:	Viking
Not to Scale	23/11/2020		
Detail Ref: VIK_TOR_031_VERGBARG			

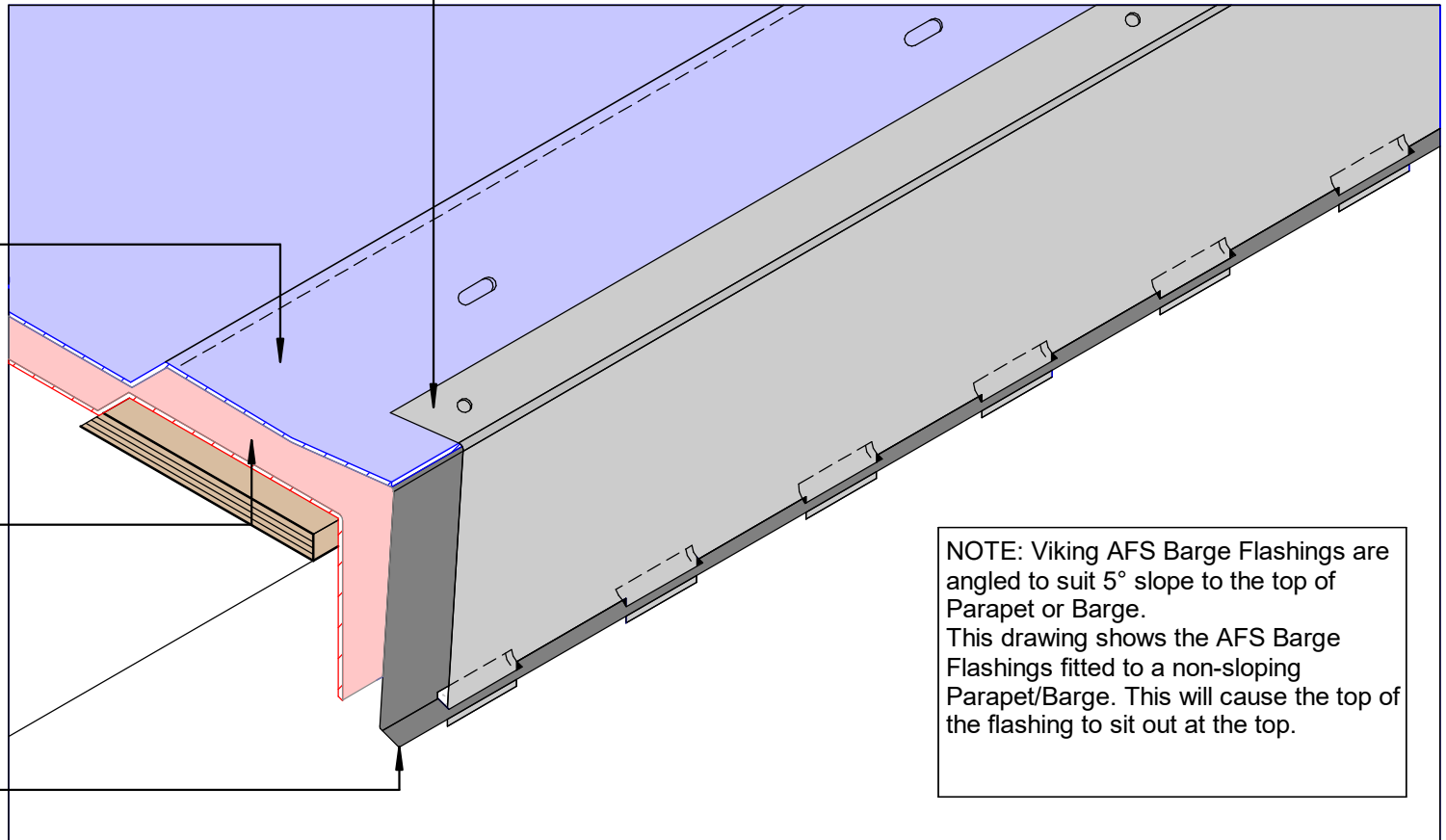


Viking Architectural Finishing Series IMT700 Cover - Flashing, Alum 1.6mm installed as per manufacturers instructions.

Viking Torch-on Cap Sheet 4mm thick, install as per manufacturers instructions.

Viking Torch-on Base Sheet 3mm thick, install as per manufacturers instructions.

Viking Architectural Finishing Series IMT701 Base - Flashing, Alum 1.6mm installed as per manufacturers instructions.



NOTE: Viking AFS Barge Flashings are angled to suit 5° slope to the top of Parapet or Barge. This drawing shows the AFS Barge Flashings fitted to a non-sloping Parapet/Barge. This will cause the top of the flashing to sit out at the top.

NOTE:
Ref drawing TOR_031

DRAWING TITLE

Viking Torch-On
Verge_Barge with Low Profile AFS in ISOMETRIC

NOTES:

- Viking Waterproof Membrane as notated can be Viking Gemini, Lybra or Phoenix Super.
- All fixings, cladding and structure are indicative only unless notated.



Viking Torch-On systems are CodeMarked

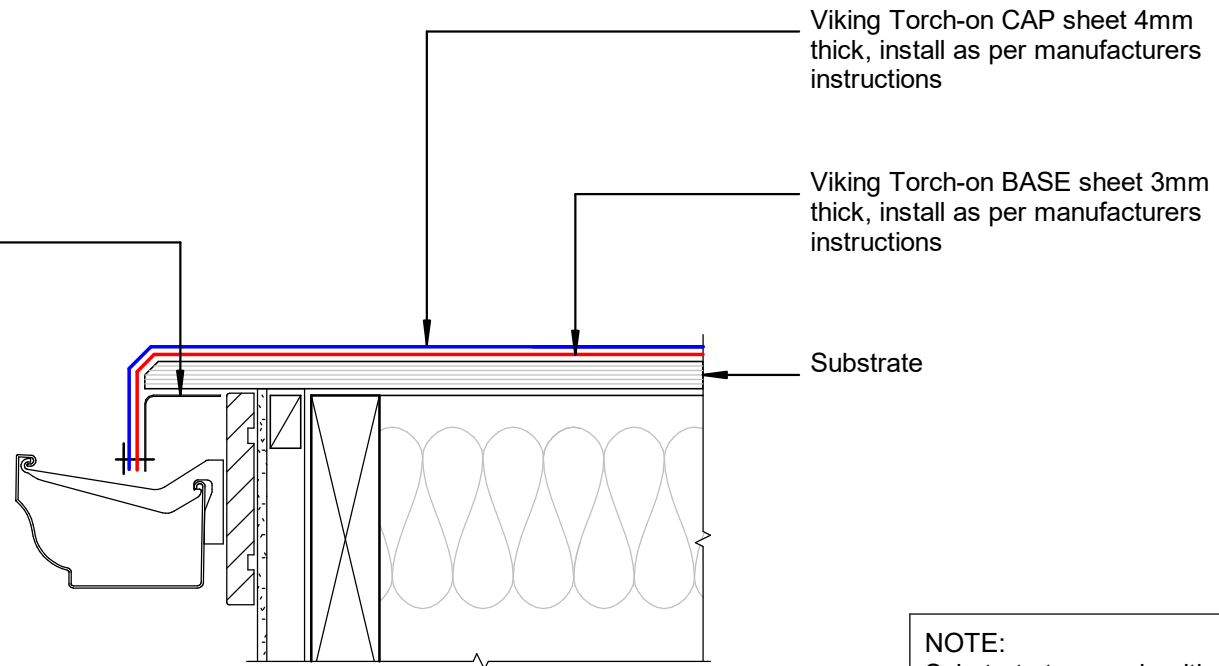
DRAWING

INFORMATION ONLY

Scale:	Date:	Drawn:	Viking
Not to Scale	23/11/2020		

VIK_TOR_031A_VERGBARG

1.6mm Alum or S/S Angle
50x50mm with Fixing-Bar to
secure membrane to drip-edge



NOTE:
Substrate to comply with current
Viking Roofspec Masterspec
specification
Substrate Checksheet available
from www.vikingroofspec.co.nz

DRAWING TITLE

Viking Torch-On
Verge_Drip edge to External Spouting

NOTES:

- Viking Waterproof Membrane as notated can be Viking Gemini, Lybra or Phoenix Super.
- All fixings, cladding and structure are indicative only unless notated.



Viking Torch-On
systems are
CodeMarked

DRAWING

INFORMATION ONLY

Scale:	Date:	Drawn:	Viking
Not to Scale	23/11/2020		
Detail Ref: VIK_TOR_032_VERGDRIP			



Viking Roofspec Torch-on
2 Layer Membrane System

Viking Torch-on CAP sheet 4mm
thick, install as per manufacturers
instructions

Viking Torch-on BASE sheet 3mm
thick, install as per manufacturers
instructions

Substrate

150 mm membrane
upstand

Fixing bar

Alum or S/S Angle 50x50mm x 1.6mm
or thicker. Use fixing bar to secure
membrane to drip-edge

Continue membrane
150 mm

Use Viking Proprietary S/S Kick-out
Diverters IMT604 R/H or IMT605 L/H
screw fixed

Cladding and underlay to
cover membrane upstand

Cladding

Cladding underlay

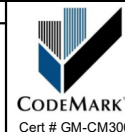
NOTE:
Substrate to comply with current
Viking Roofspec Masterspec
specification
Substrate Checksheet available
from www.vikingroofspec.co.nz

DRAWING TITLE

Viking Torch-On
Verge_edge with wall continuing, Diverter for cladding.

NOTES:

- Viking Waterproof Membrane as
notated can be Viking Gemini, Lybra
or Phoenix Super.
- All fixings, cladding and structure are
indicative only unless notated.



Viking Torch-On
systems are
CodeMarked

DRAWING

INFORMATION ONLY

Scale:	Date:	Drawn:	Viking
Not to Scale	23/11/2020		
Detail Ref: VIK_TOR_033_VERGEDGE			

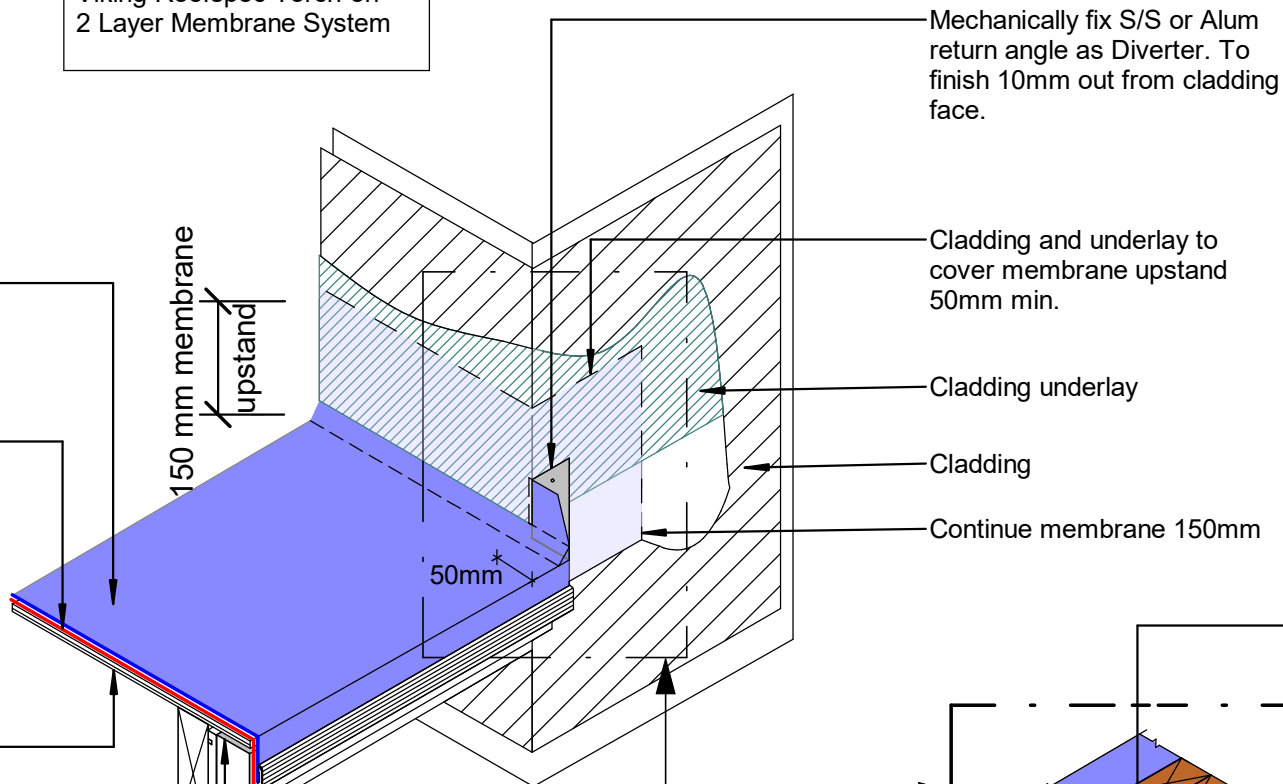
Viking Roofspec Torch-on
2 Layer Membrane System

Viking Torch-on CAP sheet 4mm thick, install as per manufacturers instructions

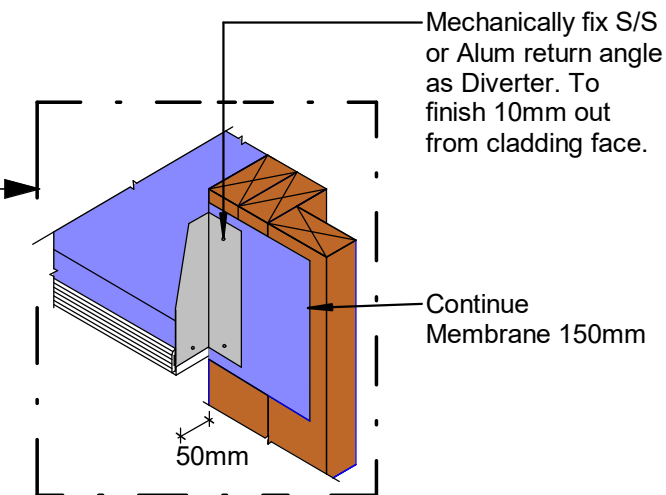
Viking Torch-on BASE sheet 3mm thick, install as per manufacturers instructions

Substrate

NOTE:
Substrate to comply with current Viking Roofspec Masterspec specification
Substrate Checksheet available from www.vikingroofspec.co.nz



Alum or S/S Angle 50x50mm x 1.6mm or thicker. Use fixing bar to secure membrane to drip-edge



DRAWING TITLE

Viking Torch-On
Verge_edge with wall returning, Diverter for cladding

NOTES:

- Viking Waterproof Membrane as notated can be Viking Gemini, Lybra or Phoenix Super.
- All fixings, cladding and structure are indicative only unless notated.



Viking Torch-On systems are CodeMarked

DRAWING

INFORMATION ONLY

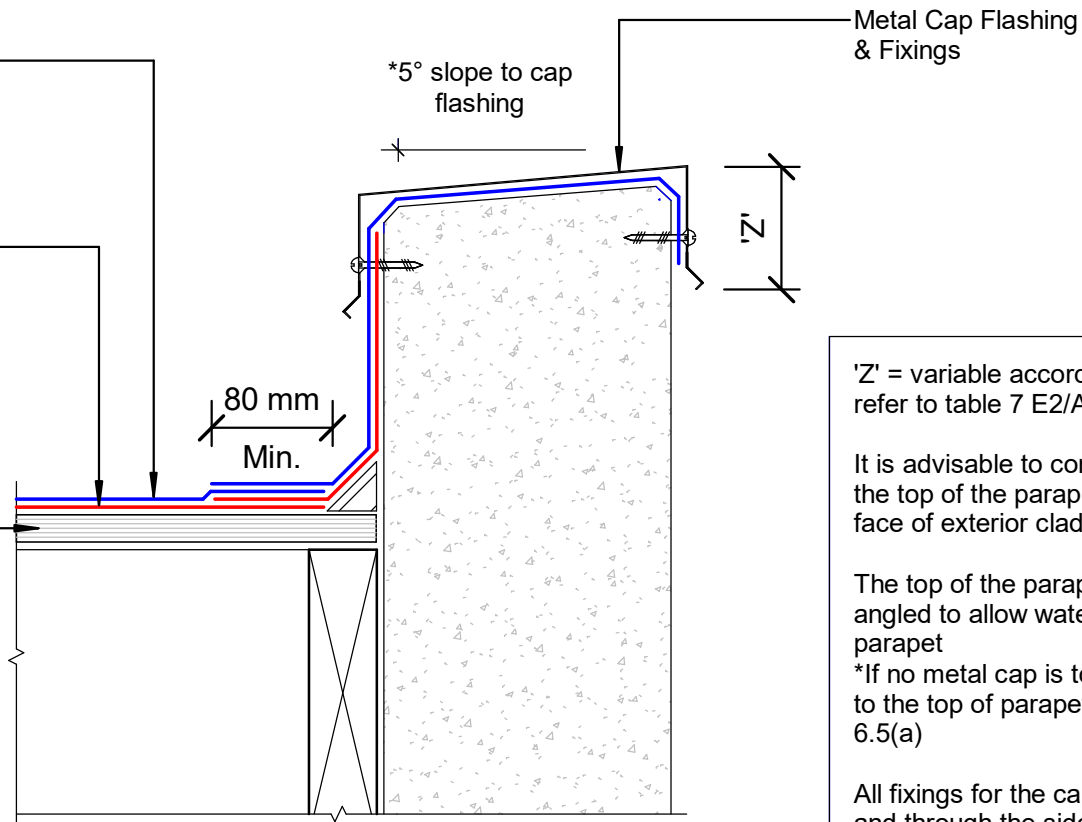
Scale: Not to Scale Date: 23/11/2020 Drawn: Viking

Date Ref: VIK_TOR_033A_VERGEDGE

Viking Torch-on CAP sheet 4mm thick, install as per manufacturers instructions

Viking Torch-on BASE sheet 3mm thick, install as per manufacturers instructions

Substrate



Metal Cap Flashing & Fixings

*5° slope to cap flashing

80 mm
Min.

'Z'

'Z' = variable according to wind zone, please refer to table 7 E2/AS1

It is advisable to continue the membrane over the top of the parapet and finish over the front face of exterior cladding

The top of the parapet substrate, must be angled to allow water to run off the top of the parapet

*If no metal cap is to be used, then a 10° slope to the top of parapet is required. Refer E2/AS1 6.5(a)

All fixings for the cap flashing, must be sealed and through the side of the flashing.

NOTE:
Substrate to comply with current Viking Roofspec Masterspec specification
Substrate Checksheet available from www.vikingroofspec.co.nz

DRAWING TITLE

Viking Torch-On
Parapet_with Cap

NOTES:

- Viking Waterproof Membrane as notated can be Viking Gemini, Lybra or Phoenix Super.
- All fixings, cladding and structure are indicative only unless notated.

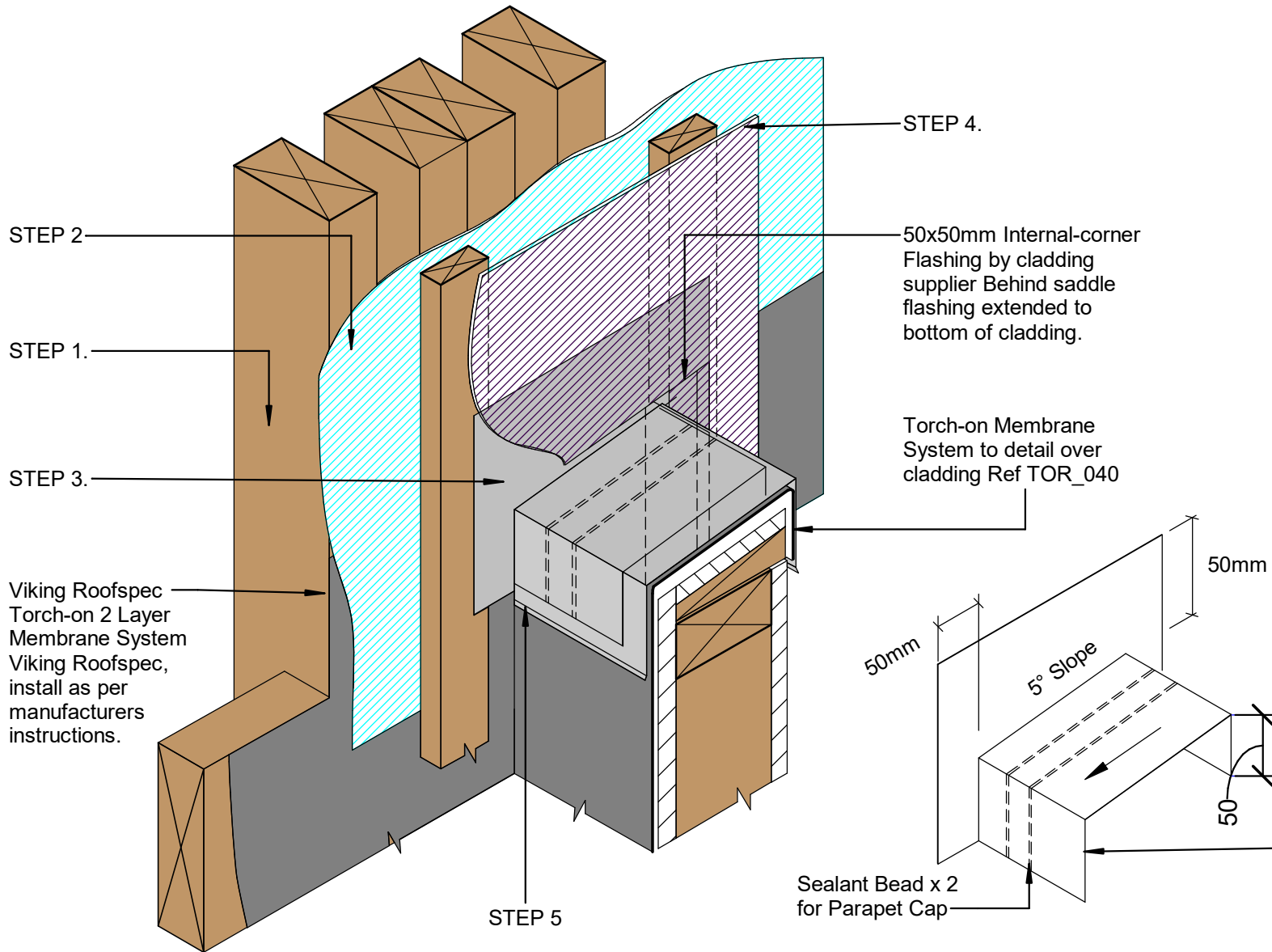


Viking Torch-On systems are CodeMarked

DRAWING

INFORMATION ONLY

Scale:	Date:	Drawn:	Viking
Not to Scale	23/11/2020		
Detail Ref: VIK_TOR_040_PARACAP			

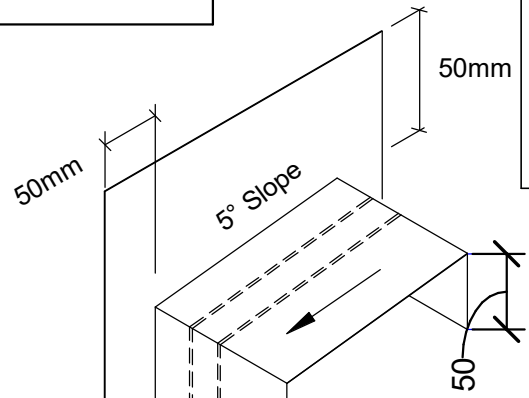


- STEP**
- STEP 1. 2 layer Torch-on System behind cavity batten fully supported by substrate plywood or timber. Finish 150mm over & beyond the parapet junction
- STEP 2. Wall Underlay behind cavity. Finish over membrane
- STEP 3. *Saddle Flashing over cavity batten, directly behind cladding, refer Fig12 E2/AS1
- STEP 4. Cladding to seal to saddle flashing
- STEP 5. Metal Cap flashing to seal to saddle flashing

Viking Roofspec Torch-on 2 Layer Membrane System Viking Roofspec, install as per manufacturers instructions.

50x50mm Internal-corner Flashing by cladding supplier Behind saddle flashing extended to bottom of cladding.

Torch-on Membrane System to detail over cladding Ref TOR_040



*Saddle flashing Refer E2/AS1 fig12 for detail

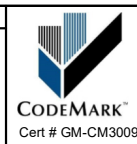
Sealant Bead x 2 for Parapet Cap

DRAWING TITLE

Viking Torch-On Parapet_Parapet meets wall

NOTES:

- Viking Waterproof Membrane as notated can be Viking Gemini, Lybra or Phoenix Super.
- All fixings, cladding and structure are indicative only unless notated.



Viking Torch-On systems are CodeMarked

DRAWING

INFORMATION ONLY

Scale:	Date:	Drawn:	Viking
Not to Scale	23/11/2020		

Refer Ref: **VIK_TOR_040A_PARAWALL**



Builders flashing tape

Viking 207x88x1.6mm stainless steel scupper IMT107, installed as per manufacturers instructions.

Viking Torch-on CAP sheet 4mm thick, install as per manufacturers instructions

Viking Torch-on BASE sheet 3mm thick, install as per manufacturers instructions

Viking SilCoat over leading edge Bottom and 2 sides

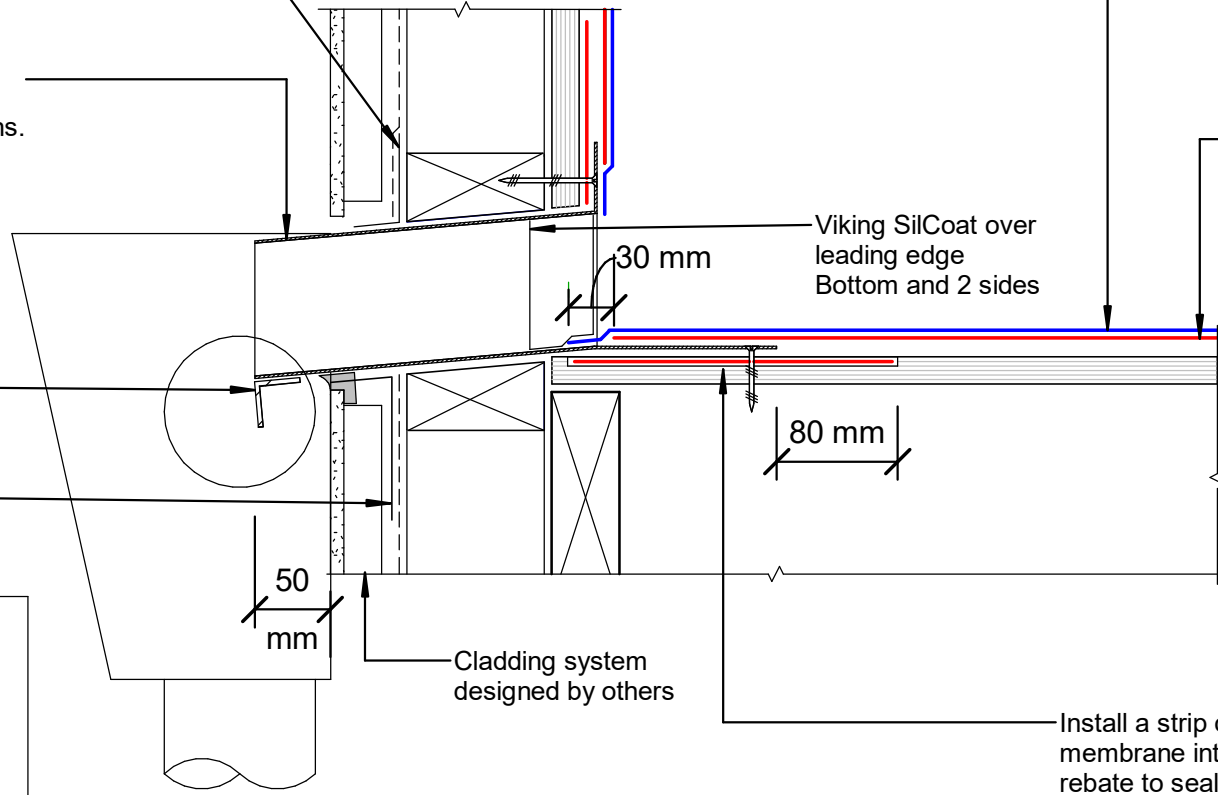
Drip edge

Sealant and tape by builder

NOTE:
Substrate to comply with current Viking Roofspec Masterspec specification
Substrate Checksheet available from www.vikingroofspec.co.nz

Cladding system designed by others

Install a strip of Base Sheet membrane into substrate rebate to seal scupper into



DRAWING TITLE

Viking Torch-On
Parapet_ with scupper outlet

NOTES:

- Viking Waterproof Membrane as notated can be Viking Gemini, Lybra or Phoenix Super.
- All fixings, cladding and structure are indicative only unless notated.

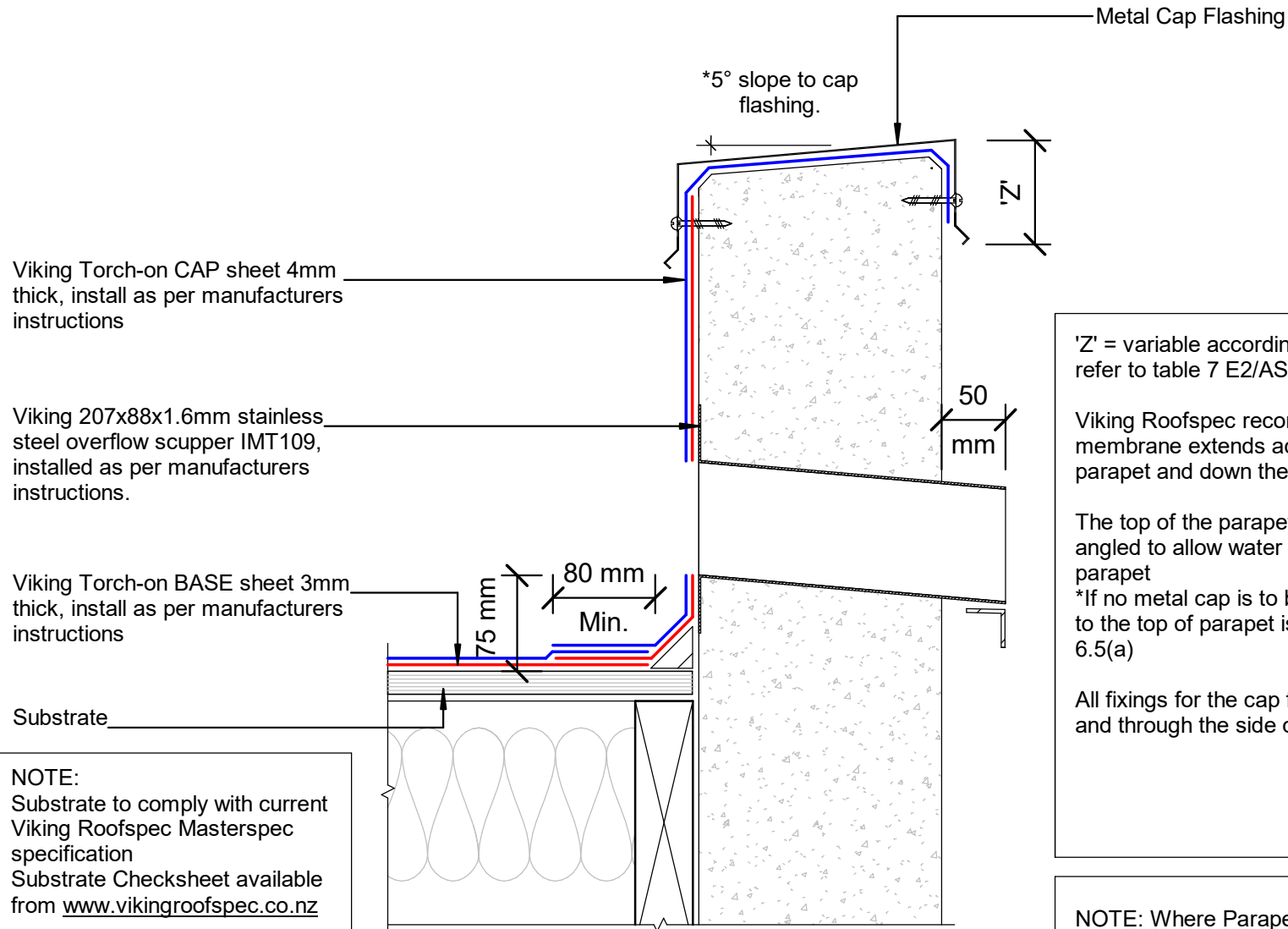


Viking Torch-On systems are CodeMarked

DRAWING

INFORMATION ONLY

Scale:	Date:	Drawn:	Viking
Not to Scale	23/11/2020		
Detail Ref VIK_TOR_041_PARASCUP			



Viking Torch-on CAP sheet 4mm thick, install as per manufacturers instructions

Viking 207x88x1.6mm stainless steel overflow scupper IMT109, installed as per manufacturers instructions.

Viking Torch-on BASE sheet 3mm thick, install as per manufacturers instructions

Substrate

NOTE:
Substrate to comply with current Viking Roofspec Masterspec specification
Substrate Checksheet available from www.vikingroofspec.co.nz

'Z' = variable according to wind zone, please refer to table 7 E2/AS1

Viking Roofspec recommend that the membrane extends across the top of the parapet and down the front face of the cladding

The top of the parapet substrate, must be angled to allow water to run off the top of the parapet
*If no metal cap is to be used, then a 10° slope to the top of parapet is required. Refer E2/AS1 6.5(a)

All fixings for the cap flashing, must be sealed and through the side of the flashing.

NOTE: Where Parapet meets wall refer TOR_40A

DRAWING TITLE

Viking Torch-On
Parapet_with overflow

NOTES:

- Viking Waterproof Membrane as notated can be Viking Gemini, Lybra or Phoenix Super.
- All fixings, cladding and structure are indicative only unless notated.



Viking Torch-On systems are CodeMarked

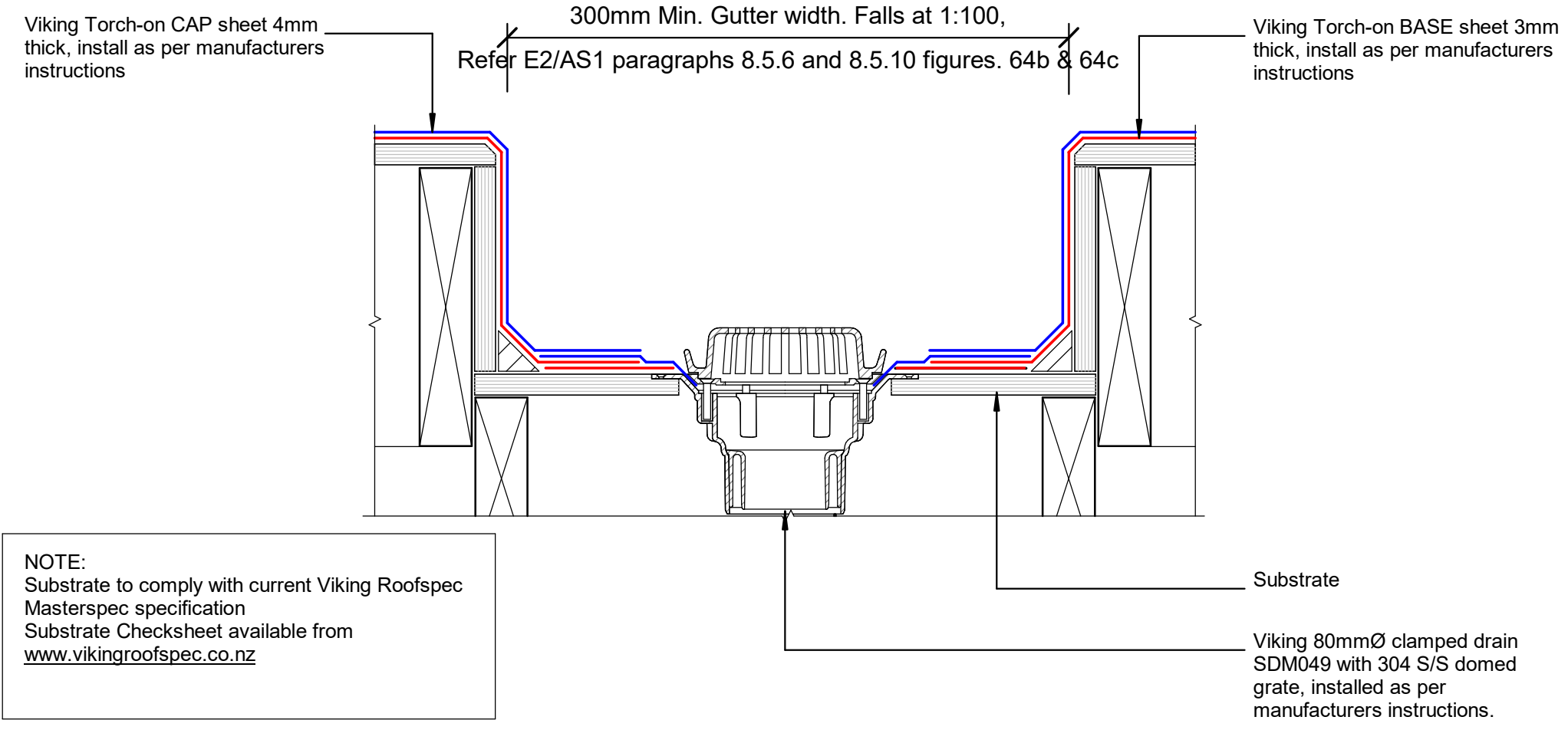
DRAWING

INFORMATION ONLY



Scale:	Date:	Drawn:	Viking
Not to Scale	23/11/2020		

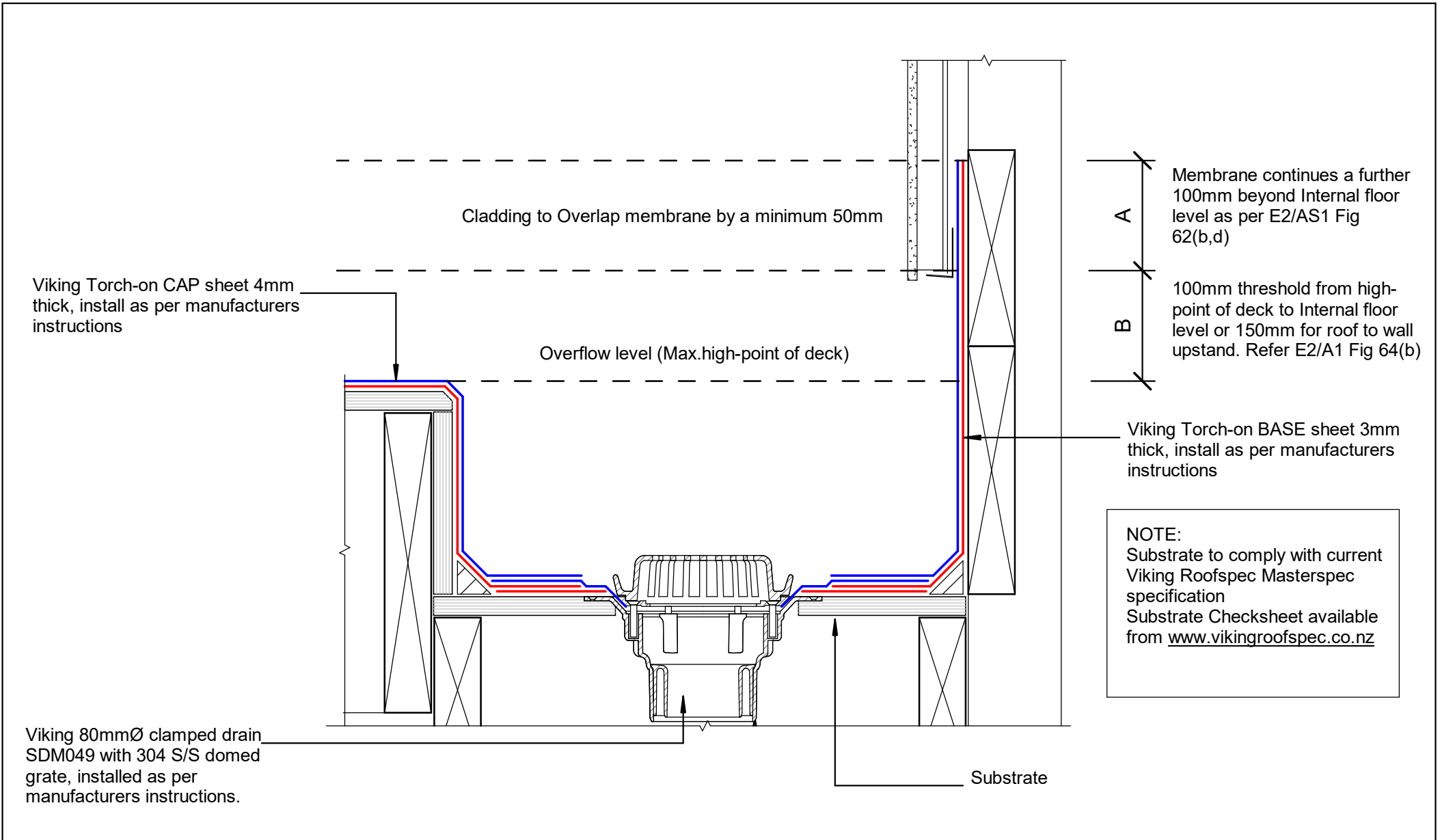
Detail Ref: **VIK_TOR_042_PARAOVER**



NOTE: It is Viking Roofspecs view that Internal Gutters can be eliminated in many cases. In doing so you could reduce the overall heights or increase roof falls while reducing risk and details. To find out more refer to Detail Notes_Best Practice Design in Membrane Roofing



NOTE:
Substrate to comply with current Viking Roofspec Masterspec specification
Substrate Checksheet available from www.vikingroofspec.co.nz

	DRAWING TITLE	NOTES: <ul style="list-style-type: none"> Viking Waterproof Membrane as notated can be Viking Gemini, Lybra or Phoenix Super. All fixings, cladding and structure are indicative only unless notated. 	 <p>Viking Torch-On systems are CodeMarked</p>	DRAWING INFORMATION ONLY			
	Viking Torch-On Internal Gutter_with outlet			Scale:	Date:	Drawn:	Viking
				Not to Scale	23/11/2020		
				VIK_TOR_050_GUTTOUTL			



 <p>Viking Roofspec Taking care of detail</p>	DRAWING TITLE	NOTES: <ul style="list-style-type: none"> Viking Waterproof Membrane as notated can be Viking Gemini, Lybra or Phoenix Super. All fixings, cladding and structure are indicative only unless notated. 	 <p>CODEMARK[®] Cert # GM-CM30092</p>	DRAWING INFORMATION ONLY			
	Viking Torch-On Internal Gutter_to Wall			Scale:	Date:	Drawn:	Viking
				Not to Scale	23/11/2020		

VIK_TOR_051_GUTTWALL

NOTE:
 Substrate to comply with current
 Viking Roofspec Masterspec
 specification
 Substrate Checksheet available
 from www.vikingroofspec.co.nz

Viking Torch-on CAP sheet 4mm
 thick, install as per manufacturers
 instructions

Viking Torch-on BASE sheet 3mm
 thick, install as per manufacturers
 instructions

Viking Clamped Drain SDM033
 optional overflow

Substrate

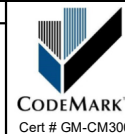
Viking Drain or Overflow SDM049
 80mm or 100mm flowrate 3.26 or
 5.09 lts/sec

DRAWING TITLE

Viking Torch-On
 Internal Gutter_with outlet / overflow

NOTES:

- Viking Waterproof Membrane as notated can be Viking Gemini, Lybra or Phoenix Super.
- All fixings, cladding and structure are indicative only unless notated.

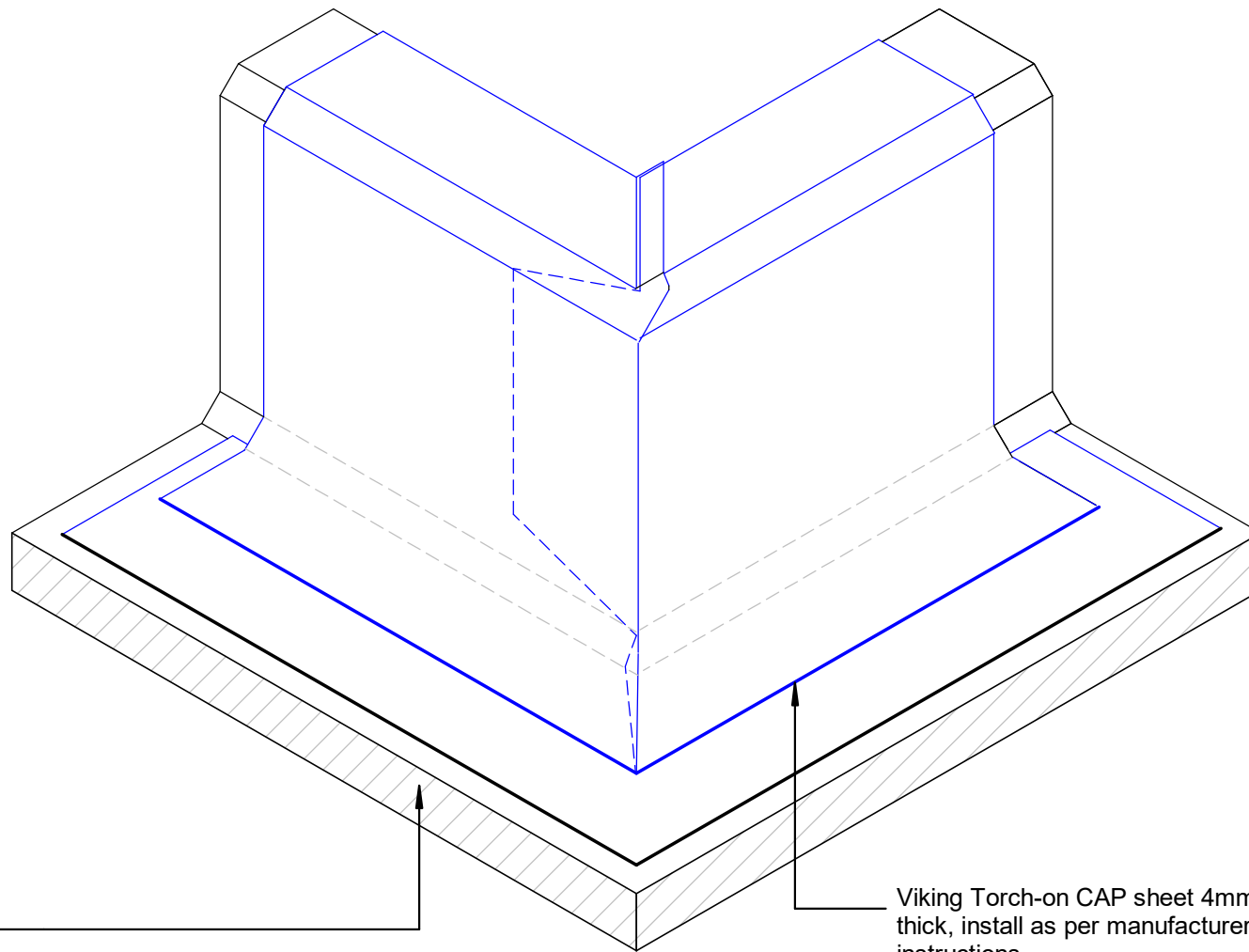


Viking Torch-On
 systems are
 CodeMarked

DRAWING

INFORMATION ONLY

Scale:	Date:	Drawn:	Viking
Not to Scale	23/11/2020		
Detail Ref VIK_TOR_052_GUTTWALL			



NOTE:
External corner tabs for the Cap Sheet must be installed in the opposite direction to the Base Sheet Layer

NOTE:
Install a min. 140mm dia. Gusset to the Fillet at the corner prior to detailing the Base Sheet Layer

NOTE:
Substrate to comply with current Viking Roofspec Masterspec specification
Substrate Checksheet available from www.vikingroofspec.co.nz

Substrate

Viking Torch-on CAP sheet 4mm thick, install as per manufacturers instructions

DRAWING TITLE

Viking Torch-On
Intersection_External corner

NOTES:

- Viking Waterproof Membrane as notated can be Viking Gemini, Lybra or Phoenix Super.
- All fixings, cladding and structure are indicative only unless notated.



Viking Torch-On systems are CodeMarked

DRAWING INFORMATION ONLY

Scale:	Date:	Drawn:	Viking
Not to Scale	23/11/2020		
Detail Ref: VIK_TOR_060_INTSECRN			

Viking Torch-on Cap sheet 4mm thick, install as per manufacturers instructions.

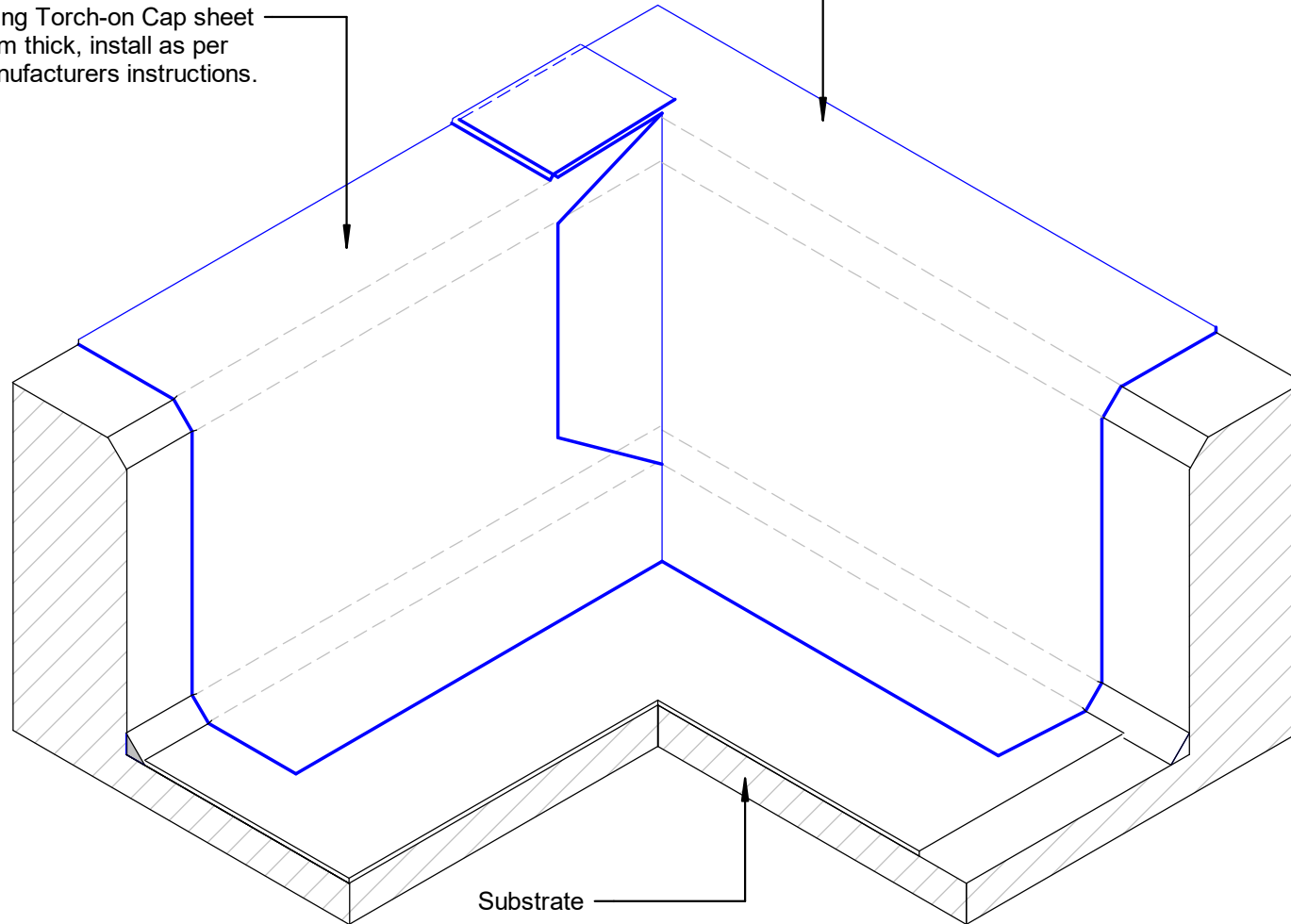
Viking Torch-on Cap sheet 4mm thick, install as per manufacturers instructions.

NOTE:
For clarification this detail is repeated for Base Sheet and Cap Sheet

NOTE:
Internal corner tabs for Cap Sheet Layer must be installed in the opposite direction to the Base Sheet Layer

NOTE:
Install a min. 140mm dia. Gusset to the Fillet at the corner prior to detailing the Base Sheet Layer

NOTE:
Substrate to comply with current Viking Roofspec Masterspec specification Substrate Checksheet available from www.vikingroofspec.co.nz



Substrate

DRAWING TITLE

Viking Torch-On
Intersection_Internal corner

NOTES:

- Viking Waterproof Membrane as notated can be Viking Gemini, Lybra or Phoenix Super.
- All fixings, cladding and structure are indicative only unless notated.



Viking Torch-On systems are CodeMarked

DRAWING

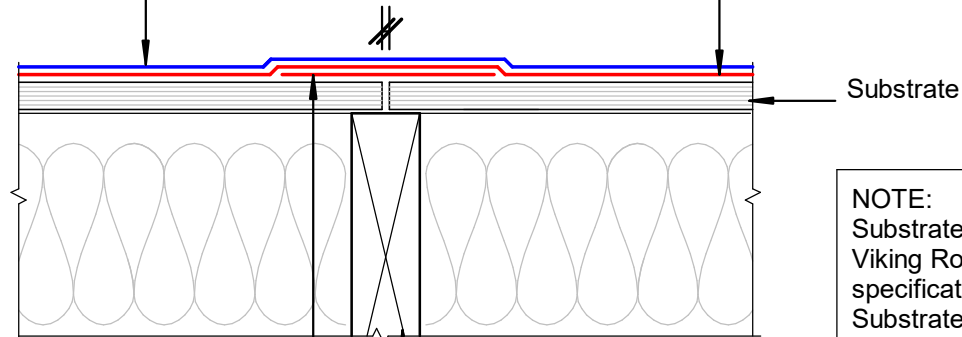
INFORMATION ONLY

Scale:	Date:	Drawn:	Viking
Not to Scale	23/11/2020		
Detail Ref: VIK_TOR_061_INTSICNR			

Viking Torch-on CAP sheet 4mm thick, install as per manufacturers instructions

5 mm expansion gap in plywood

Viking Torch-on BASE sheet 3mm thick, install as per manufacturers instructions



Substrate

Base Sheet 150mm bond-break strip fixed to one side only either pinned, welded, or spot welded to allow for expansion / contraction of plywood

All Plywood sheet edges to be fully supported

NOTE:
Substrate to comply with current Viking Roofspec Masterspec specification
Substrate Checksheet available from www.vikingroofspec.co.nz

NOTE:
Expansion allowance in the substrate is specific to the structure and design.
These are to be determined by designer or engineer.

DRAWING TITLE

Viking Torch-On
Intersection_Substrate Expansion

NOTES:

- Viking Waterproof Membrane as notated can be Viking Gemini, Lybra or Phoenix Super.
- All fixings, cladding and structure are indicative only unless notated.



Viking Torch-On systems are CodeMarked

DRAWING

INFORMATION ONLY

Scale:	Date:	Drawn:	Viking
Not to Scale	23/11/2020		
Detail Ref: VIK_TOR_062_INTSSUBS			

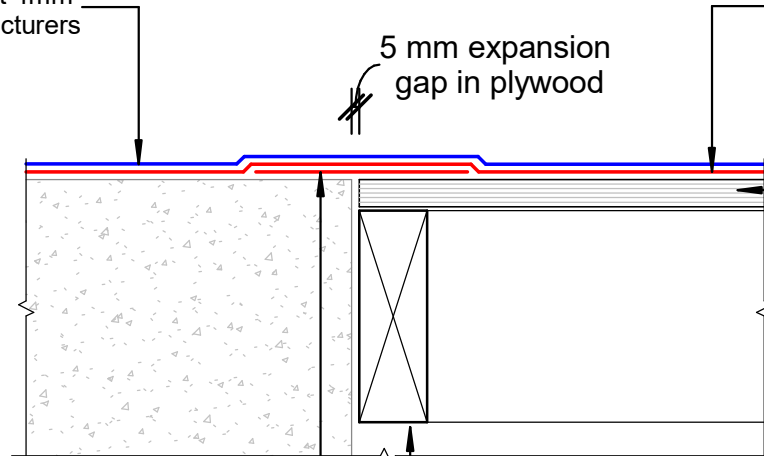


Viking Torch-on CAP sheet 4mm thick, install as per manufacturers instructions

Viking Torch-on BASE sheet 3mm thick, install as per manufacturers instructions

5 mm expansion gap in plywood

Substrate



Base Sheet 150mm bond-break strip fixed to one side only either pinned, welded, or spot welded to allow for expansion / contraction of plywood

All Plywood sheet edges to be fully supported

NOTE:
Substrate to comply with current Viking Roofspec Masterspec specification
Substrate Checksheet available from www.vikingroofspec.co.nz

NOTE:
Expansion allowance in the substrate is specific to the structure and design. These are to be determined by designer or engineer.

DRAWING TITLE

Viking Torch-On
Intersection_Substrate Expansion Ply to Concrete

NOTES:

- Viking Waterproof Membrane as notated can be Viking Gemini, Lybra or Phoenix Super.
- All fixings, cladding and structure are indicative only unless notated.



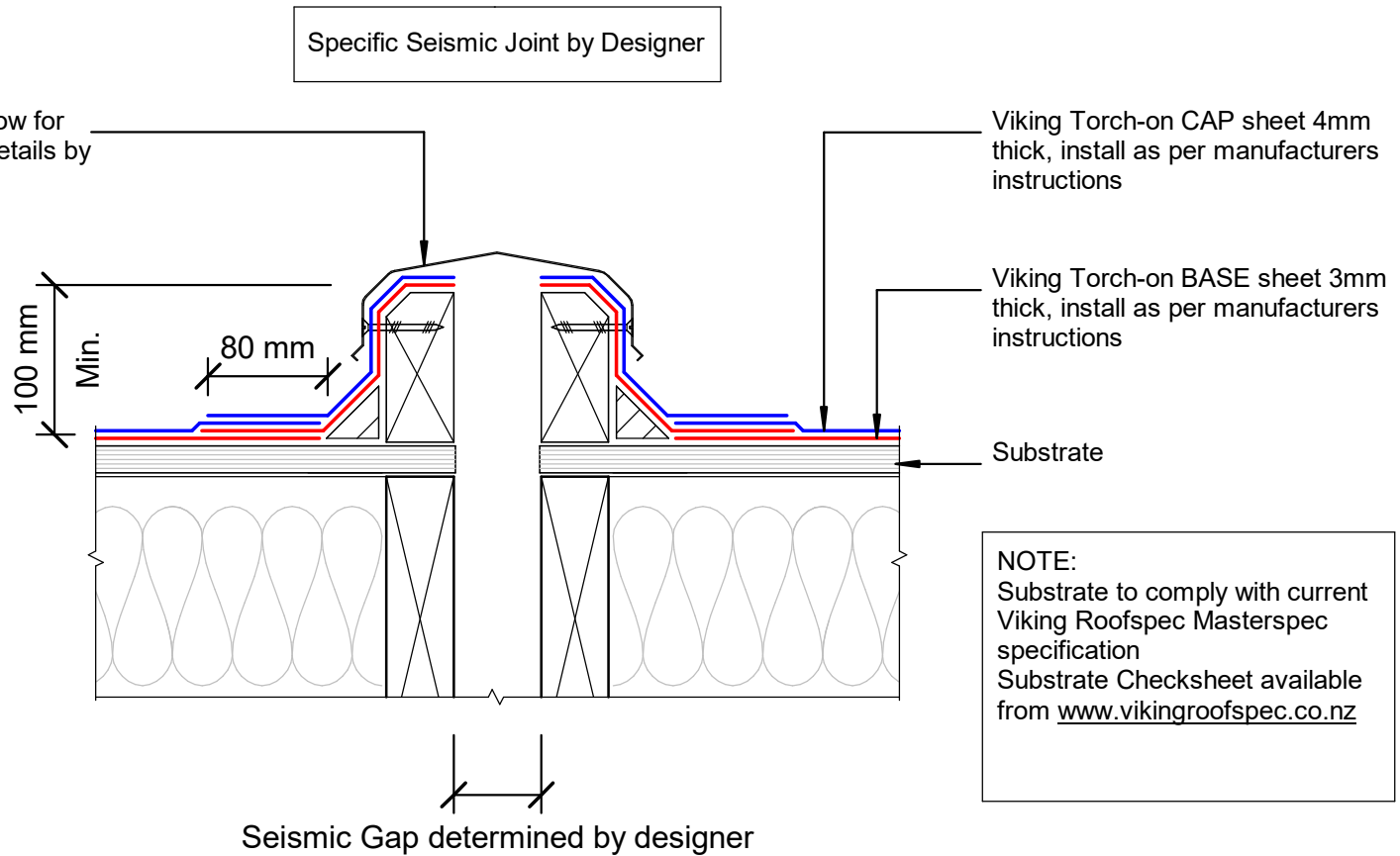
Viking Torch-On systems are CodeMarked

DRAWING

INFORMATION ONLY

Scale:	Date:	Drawn:	Viking
Not to Scale	23/11/2020		
Detail Ref: VIK_TOR_062A_INTSSUBS			





DRAWING TITLE Viking Torch-On Intersection_Seismic Gap Generic

NOTES: <ul style="list-style-type: none"> • Viking Waterproof Membrane as notated can be Viking Gemini, Lybra or Phoenix Super. • All fixings, cladding and structure are indicative only unless notated.
--

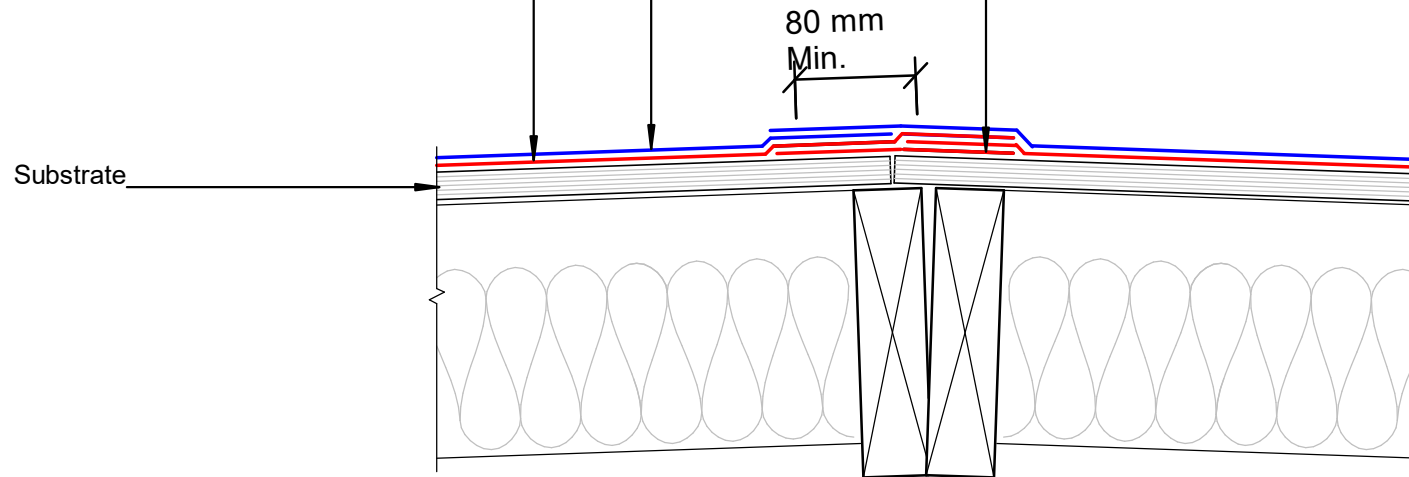

 Viking Torch-On systems are CodeMarked
 Cert # GM-CM30092

DRAWING INFORMATION ONLY			
Scale:	Date:	Drawn:	Viking
Not to Scale	23/11/2020		
Detail Ref: VIK_TOR_063_INTSSEIS			

Viking Torch-on CAP sheet 4mm thick, install as per manufacturers instructions

Viking Torch-on BASE sheet 3mm thick, install as per manufacturers instructions

Base Sheet 150mm bond-break strip fixed to one side only either pinned, welded, or spot welded to allow for expansion / contraction of plywood at ridge junction



NOTE:
 Substrate to comply with current Viking Roofspec Masterspec specification
 Substrate Checksheet available from www.vikingroofspec.co.nz

DRAWING TITLE

Viking Torch-On
 Intersection_Ridge / Hip

NOTES:

- Viking Waterproof Membrane as notated can be Viking Gemini, Lybra or Phoenix Super.
- All fixings, cladding and structure are indicative only unless notated.



CODEMARK[®]
 Cert # GM-CM30092

Viking Torch-On systems are CodeMarked

DRAWING

INFORMATION ONLY

Scale:	Date:	Drawn:	Viking
Not to Scale	23/11/2020		
Detail Ref: VIK_TOR_064_INTSRIDG			



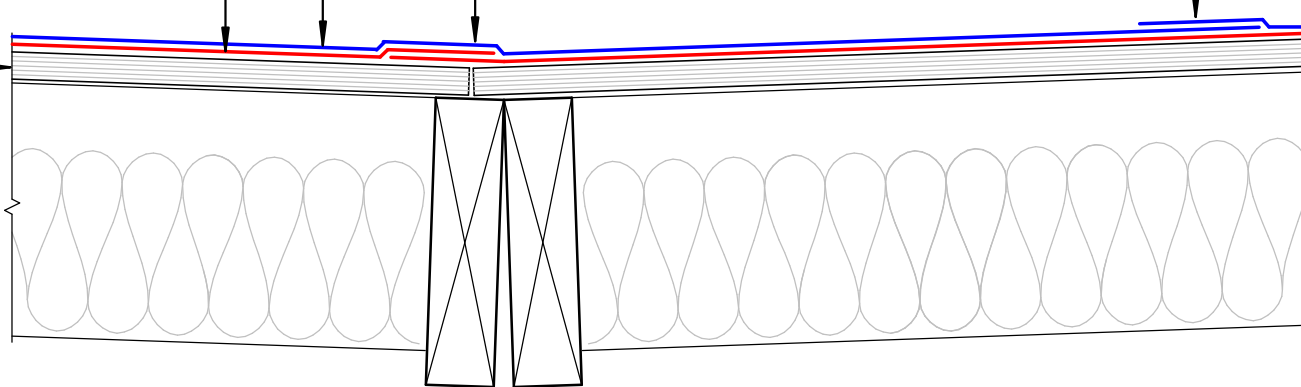
Viking Torch-on CAP sheet 4mm thick, install as per manufacturers instructions

Viking Torch-on BASE sheet 3mm thick, install as per manufacturers instructions

Substrate

Offset Base and Cap Sheet Laps by half sheet length and width

NOTE:
 Substrate to comply with current Viking Roofspec Masterspec specification
 Substrate Checksheet available from www.vikingroofspec.co.nz



DRAWING TITLE

Viking Torch-On
 Intersection_Valley

NOTES:

- Viking Waterproof Membrane as notated can be Viking Gemini, Lybra or Phoenix Super.
- All fixings, cladding and structure are indicative only unless notated.



Viking Torch-On systems are CodeMarked

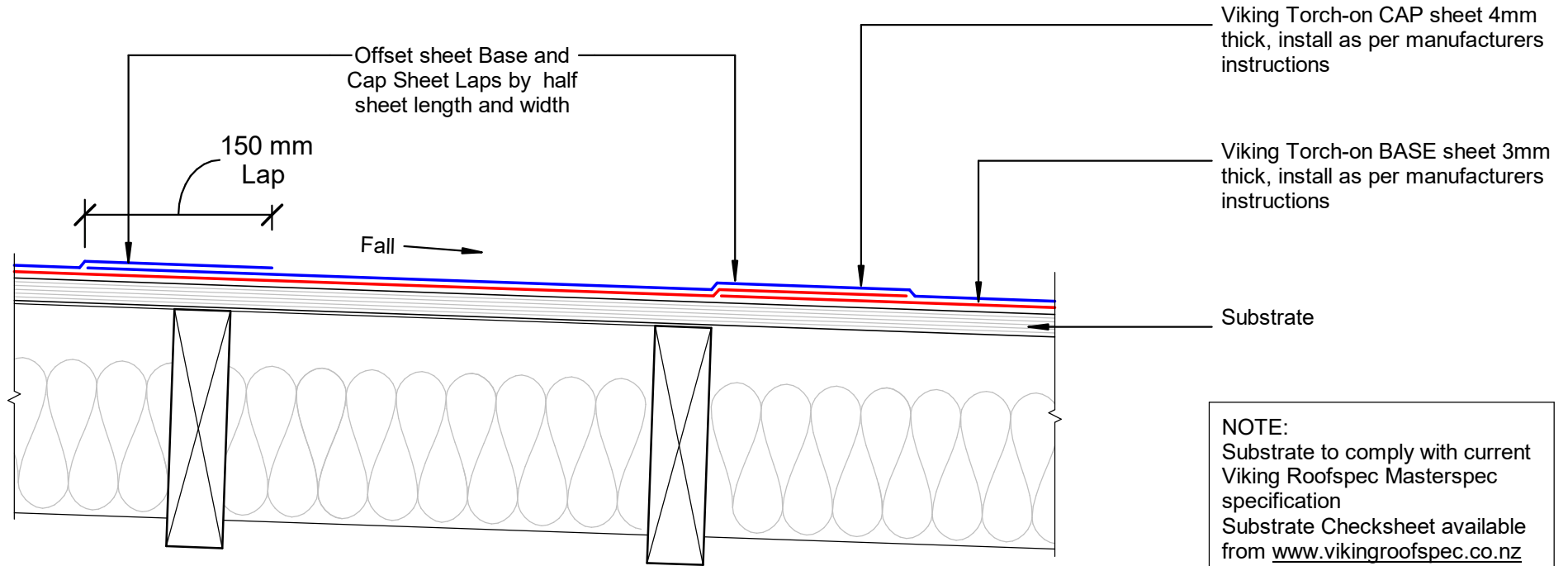
DRAWING

INFORMATION ONLY

Scale:	Date:	Drawn:	Viking
Not to Scale	23/11/2020		
Detail Ref: VIK_TOR_065_INTSVALL			

NOTE:
Sheet laps may also run in the direction of fall

Head to Toe Lap



NOTE:
Substrate to comply with current Viking Roofspec Masterspec specification
Substrate Checksheet available from www.vikingroofspec.co.nz

DRAWING TITLE

Viking Torch-On
Intersection_Sheet Lap

NOTES:

- Viking Waterproof Membrane as notated can be Viking Gemini, Lybra or Phoenix Super.
- All fixings, cladding and structure are indicative only unless notated.

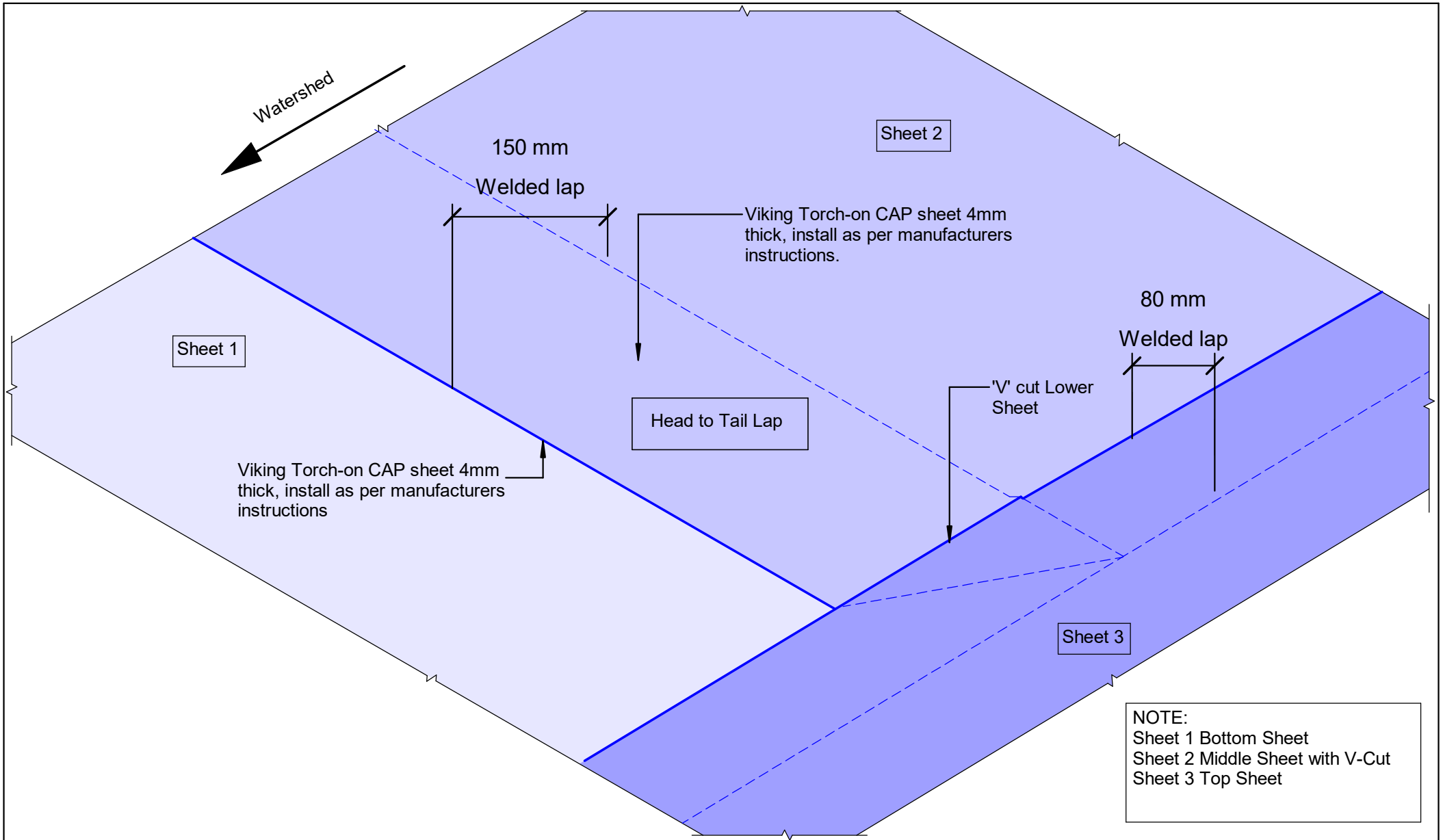


Viking Torch-On systems are CodeMarked

DRAWING

INFORMATION ONLY

Scale:	Date:	Drawn:	Viking
Not to Scale	23/11/2020		
Detail Ref: VIK_TOR_066_INTSSHEL			



DRAWING TITLE

**Viking Torch-On
Intersection_Sheet T-Joint**

NOTES:

- Viking Waterproof Membrane as notated can be Viking Gemini, Lybra or Phoenix Super.
- All fixings, cladding and structure are indicative only unless notated.

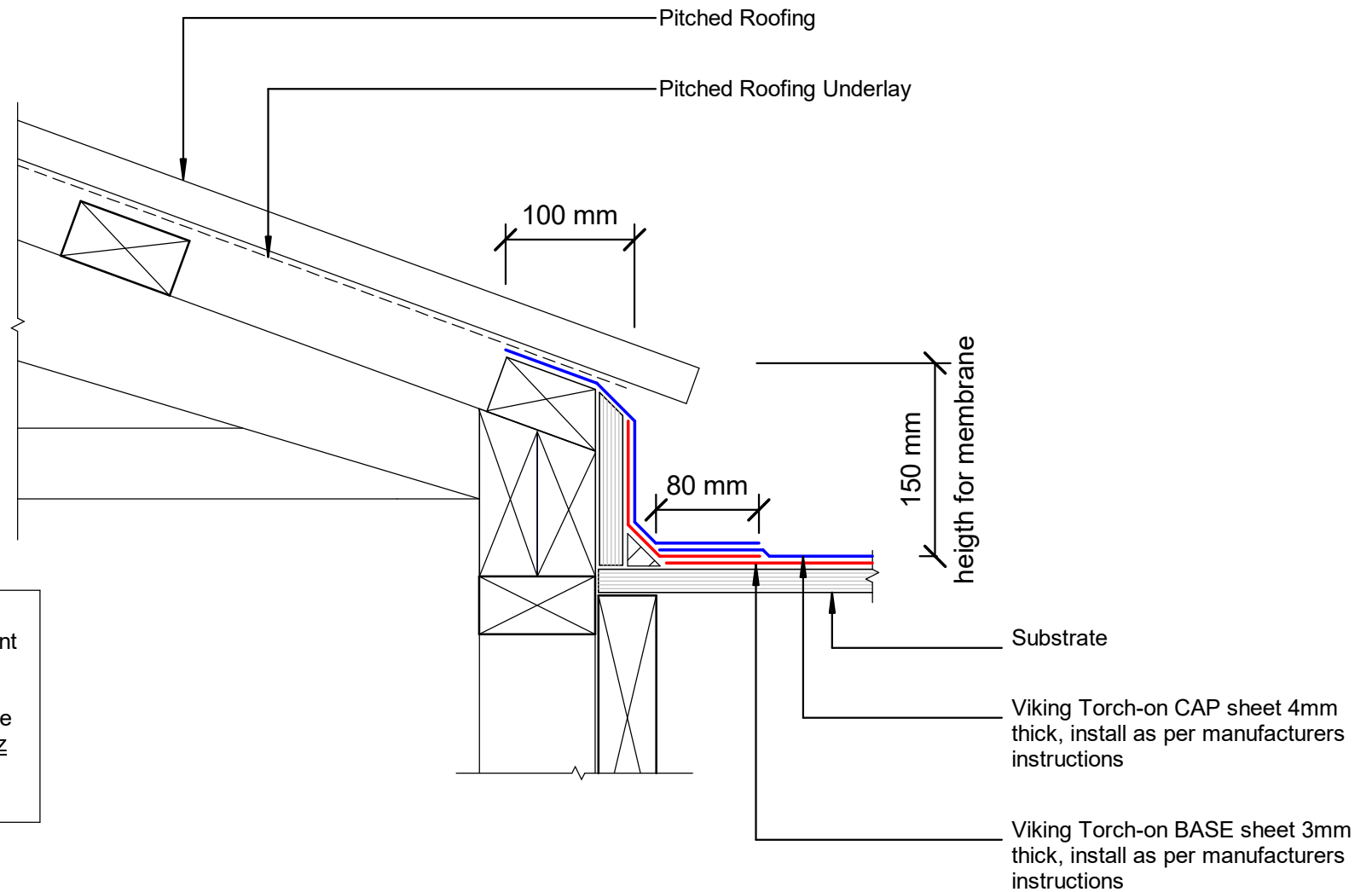


Viking Torch-On systems are CodeMarked

CODEMARK[®]
Cert # GM-CM30092

DRAWING INFORMATION ONLY

Scale:	Date:	Drawn:	Viking
Not to Scale	23/11/2020		
Detail Ref: VIK_TOR_067_INTSSHTT			



NOTE:
 Substrate to comply with current
 Viking Roofspec Masterspec
 specification
 Substrate Checksheet available
 from www.vikingroofspec.co.nz

DRAWING TITLE

Viking Torch-On
 Roof Junction_Upstand to Pitched Roofing

NOTES:

- Viking Waterproof Membrane as notated can be Viking Gemini, Lybra or Phoenix Super.
- All fixings, cladding and structure are indicative only unless notated.

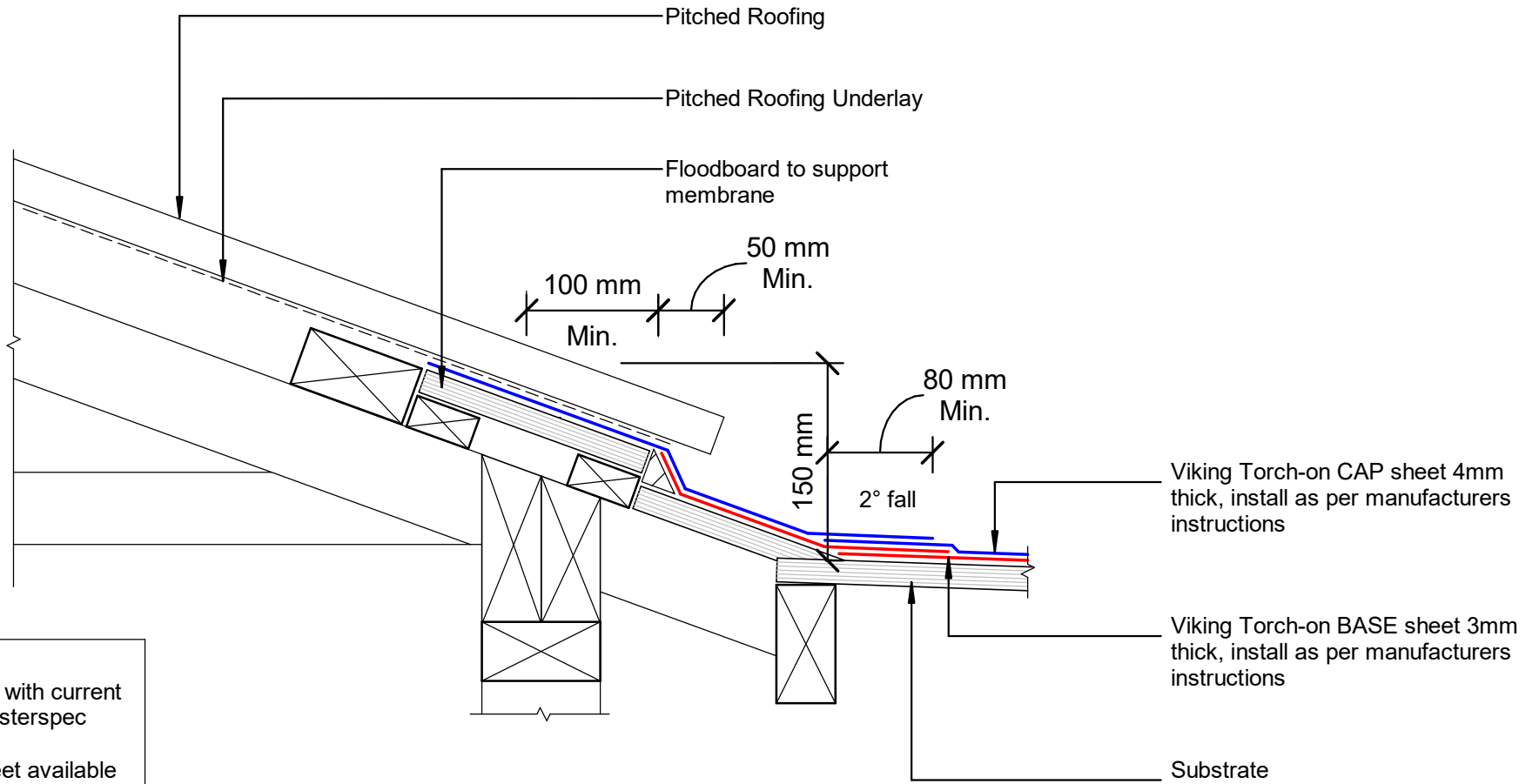


Viking Torch-On
 systems are
 CodeMarked

DRAWING

INFORMATION ONLY

Scale:	Date:	Drawn:	Viking
Not to Scale	23/11/2020		
Detail Ref: VIK_TOR_070_RJUNUPST			



NOTE:
 Substrate to comply with current Viking Roofspec Masterspec specification
 Substrate Checksheet available from www.vikingroofspec.co.nz

DRAWING TITLE

**Viking Torch-On
 Roof Junction_Membrane to Pitched Roofing Longrun.**

NOTES:

- Viking Waterproof Membrane as notated can be Viking Gemini, Lybra or Phoenix Super.
 All fixings, cladding and structure are indicative only unless notated.

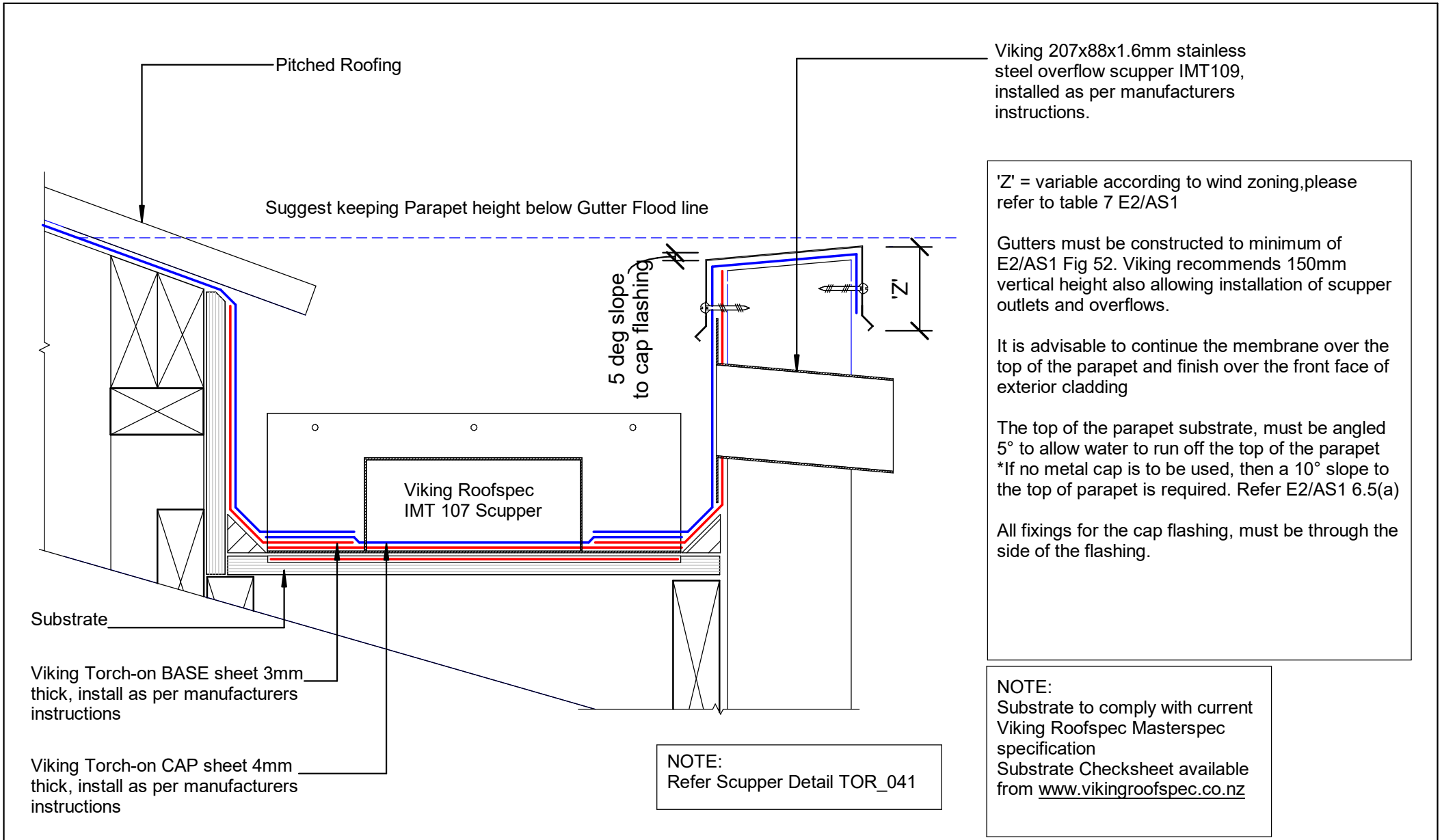




Viking Torch-On systems are CodeMarked

DRAWING INFORMATION ONLY

Scale:	Date:	Drawn:	Viking
Not to Scale	23/11/2020		
Detail Ref: VIK_TOR_071_RJUNMETL			





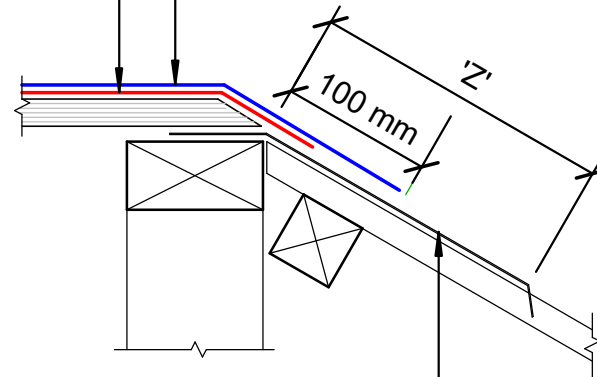
	DRAWING TITLE	NOTES: <ul style="list-style-type: none"> Viking Waterproof Membrane as notated can be Viking Gemini, Lybra or Phoenix Super. All fixings, cladding and structure are indicative only unless notated. 	 Viking Torch-On systems are CodeMarked Cert # GM-CM30092	DRAWING INFORMATION ONLY			
	Viking Torch-On Roof Junction_Metal Roof to Internal Gutter			Scale:	Date:	Drawn:	Viking
				Not to Scale	23/11/2020		

VIK_TOR_072_RJUNGUTI

Viking Torch-on CAP sheet 4mm thick, install as per manufacturers instructions

Viking Torch-on BASE sheet 3mm thick, install as per manufacturers instructions

NOTE:
'Z' = variable according to wind zoning, please refer to table 7 E2/AS1



NOTE:
Substrate to comply with current Viking Roofspec Masterspec specification
Substrate Checksheet available from www.vikingroofspec.co.nz

Metal Flashing for Torch-on use 3mm Alum. or 2mm S/S

DRAWING TITLE

Viking Torch-On
Roof Junction_Mansard Verge

NOTES:

- Viking Waterproof Membrane as notated can be Viking Gemini, Lybra or Phoenix Super.
- All fixings, cladding and structure are indicative only unless notated.



Viking Torch-On systems are CodeMarked

DRAWING

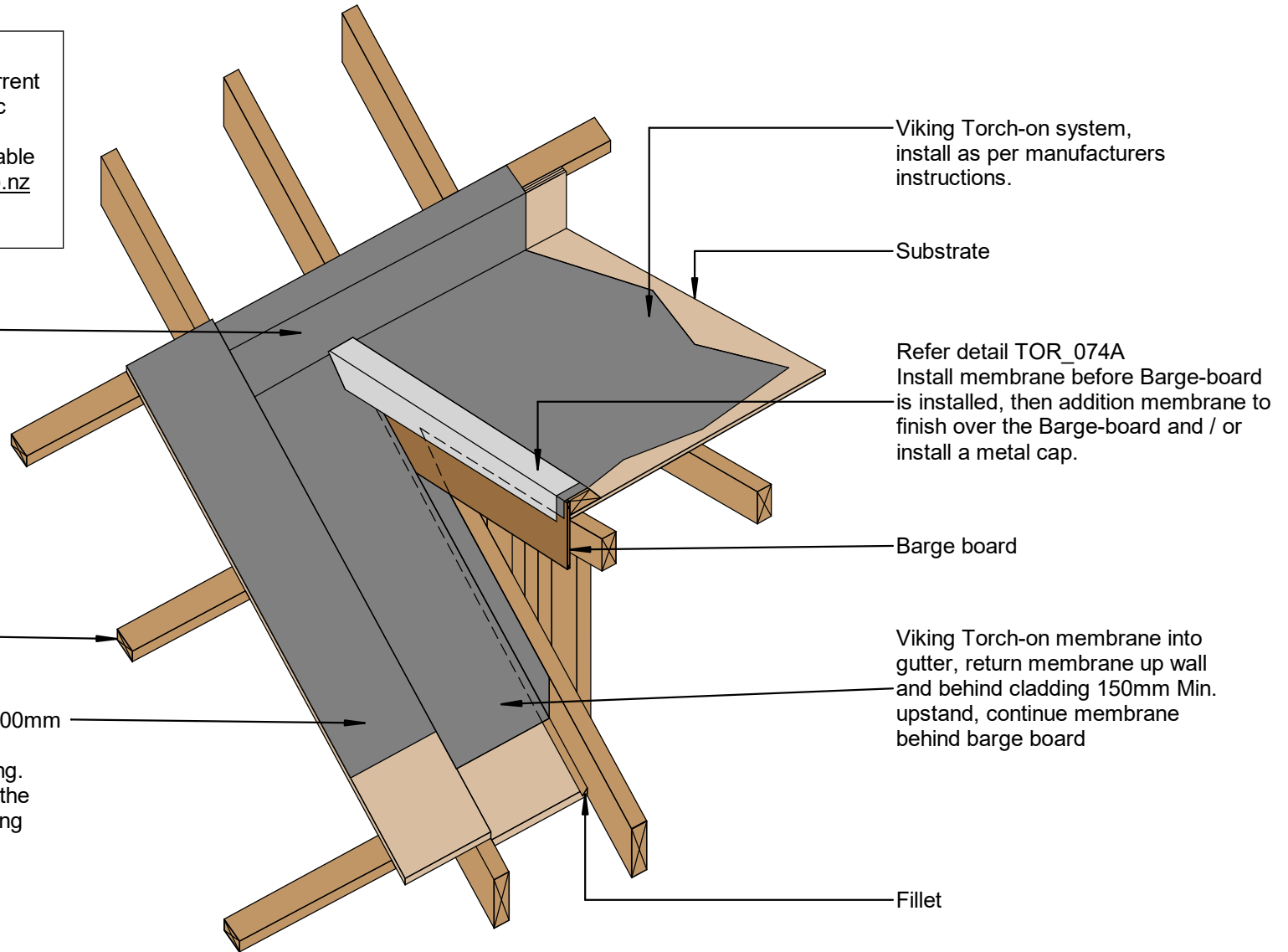
INFORMATION ONLY

Scale:	Date:	Drawn:	Viking
Not to Scale	23/11/2020		
Detail Ref: VIK_TOR_073_RJUNMANV			

NOTE:
 Substrate to comply with current
 Viking Roofspec Masterspec
 specification
 Substrate Checksheet available
 from www.vikingroofspec.co.nz

Refer detail TOR_070

Continue membrane onto a 300mm
 wide flood-board down to the
 bottom drip-edge and Spouting.
 Form a hemmed edge along the
 membrane, under metal roofing



Viking Torch-on system,
 install as per manufacturers
 instructions.

Substrate

Refer detail TOR_074A
 Install membrane before Barge-board
 is installed, then addition membrane to
 finish over the Barge-board and /
 or install a metal cap.

Barge board

Viking Torch-on membrane into
 gutter, return membrane up wall
 and behind cladding 150mm Min.
 upstand, continue membrane
 behind barge board

Fillet

Purlin over trusses

DRAWING TITLE

Viking Torch-On
 Roof Junction_Dormer ISO

NOTES:

- Viking Waterproof Membrane as notated can be Viking Gemini, Lybra or Phoenix Super.
- All fixings, cladding and structure are indicative only unless notated.



Viking Torch-On
 systems are
 CodeMarked

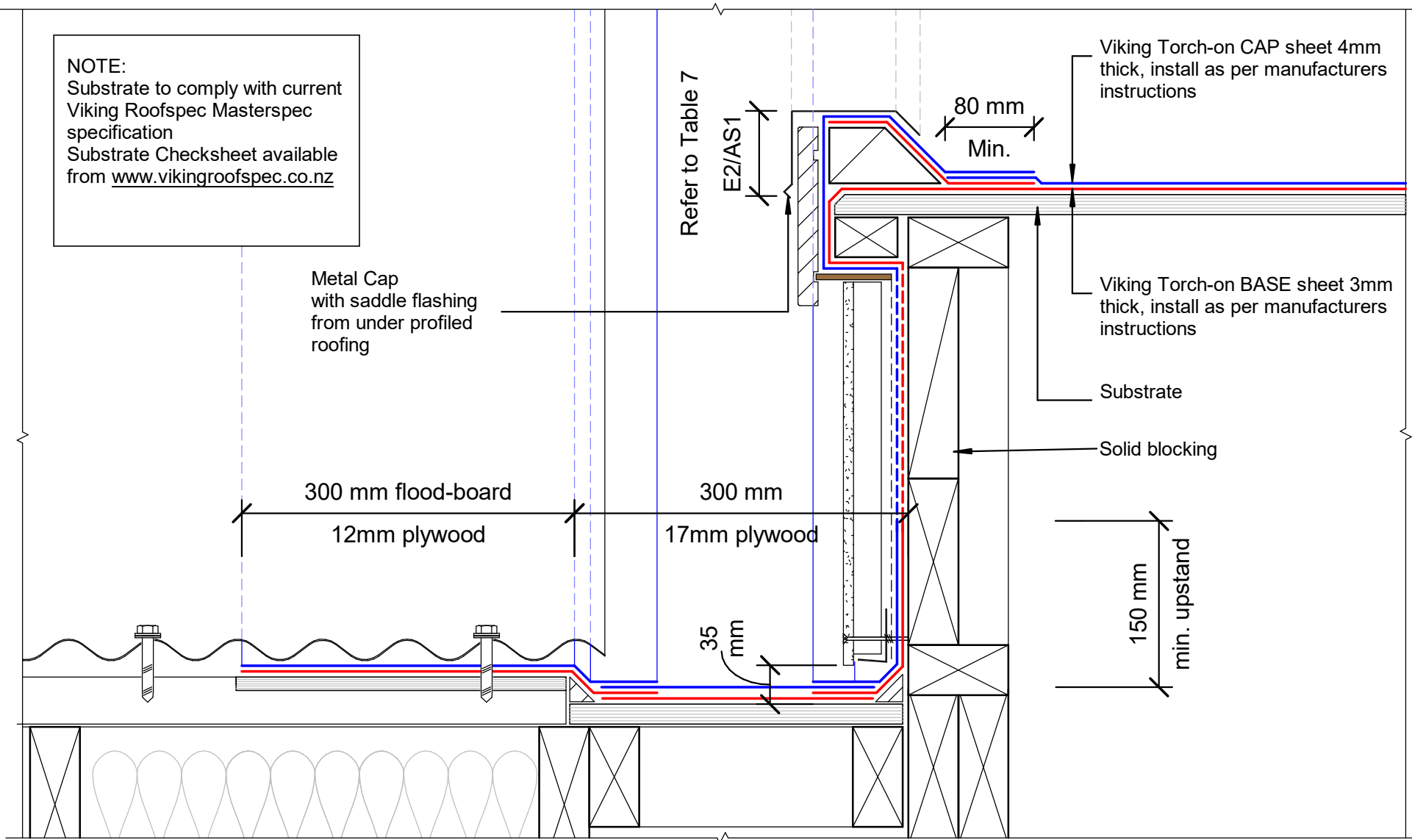
DRAWING

INFORMATION ONLY

Scale:	Date:	Drawn:	Viking
Not to Scale	23/11/2020		

Detail Ref: **VIK_TOR_074_RJUNDORM**

NOTE:
 Substrate to comply with current
 Viking Roofspec Masterspec
 specification
 Substrate Checksheet available
 from www.vikingroofspec.co.nz



DRAWING TITLE

Viking Torch-On
 Roof Junction_Dormer Gutter

NOTES:

- Viking Waterproof Membrane as notated can be Viking Gemini, Lybra or Phoenix Super.
- All fixings, cladding and structure are indicative only unless notated.



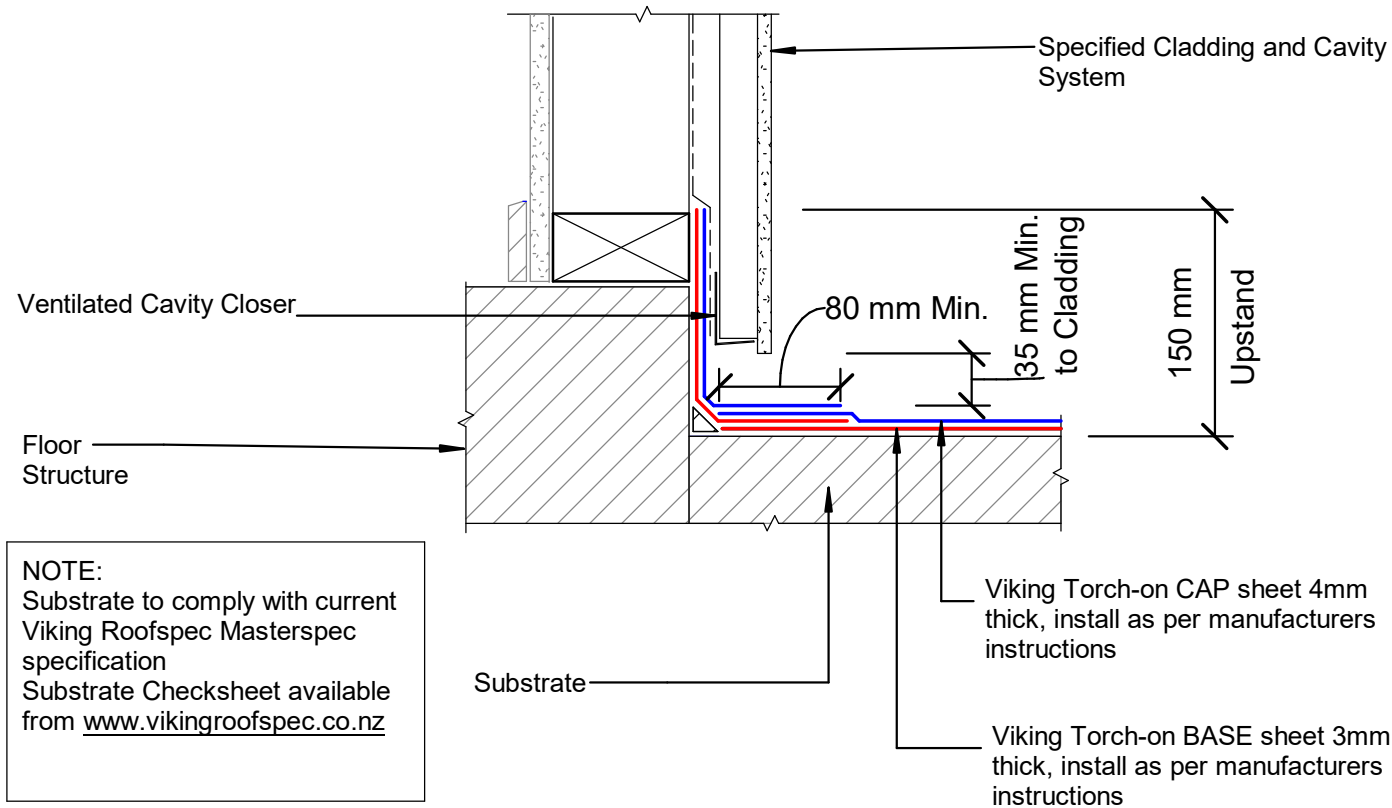
Viking Torch-On
 systems are
 CodeMarked

DRAWING

INFORMATION ONLY

Scale:	Date:	Drawn:	Viking
Not to Scale	23/11/2020		

Detail Ref: **VIK_TOR_074A_RJUNDORM**



DRAWING TITLE

Viking Torch-On
Apron_Upstand behind cladding

NOTES:

- Viking Waterproof Membrane as notated can be Viking Gemini, Lybra or Phoenix Super.
- All fixings, cladding and structure are indicative only unless notated.



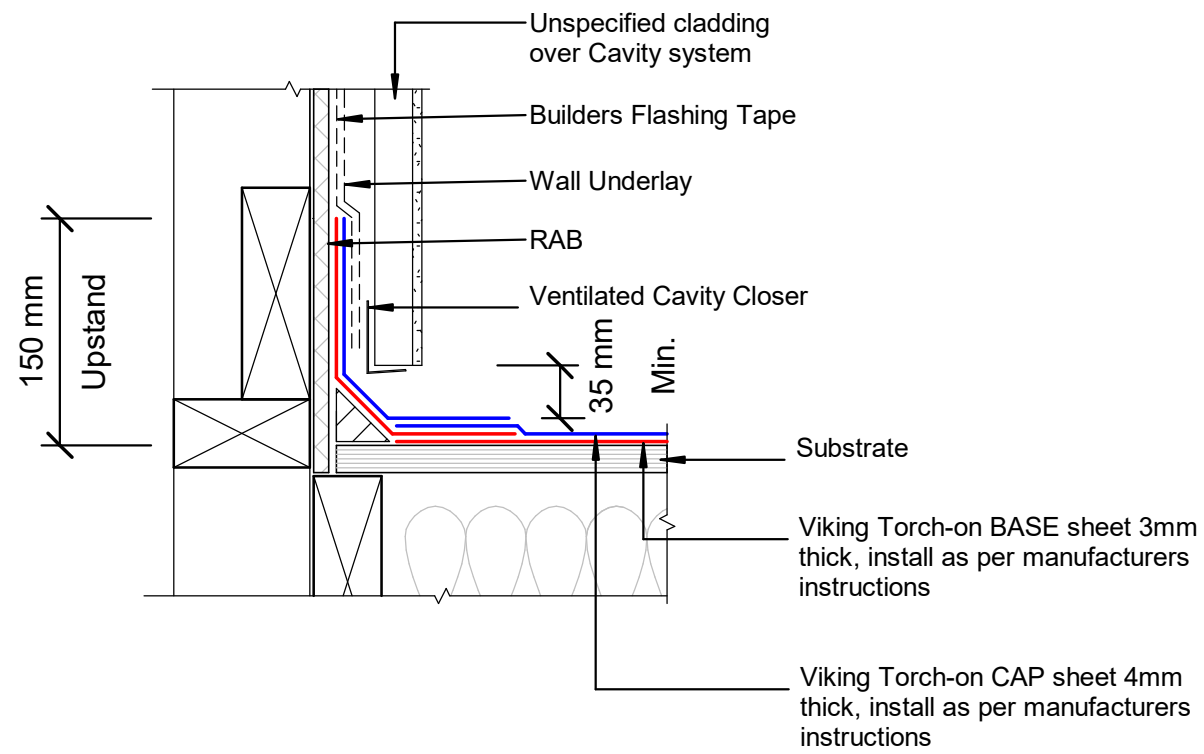
Viking Torch-On systems are CodeMarked

DRAWING

INFORMATION ONLY

Scale:	Date:	Drawn:	Viking
Not to Scale	23/11/2020		
Detail Ref: VIK_TOR_080_APRNUPST			

NOTE:
 Substrate to comply with current Viking Roofspec Masterspec specification
 Substrate Checksheet available from www.vikingroofspec.co.nz

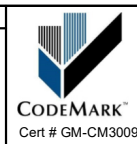


DRAWING TITLE

Viking Torch-On
 Apron_Upstand to RAB behind cladding

NOTES:

- Viking Waterproof Membrane as notated can be Viking Gemini, Lybra or Phoenix Super.
- All fixings, cladding and structure are indicative only unless notated.



Viking Torch-On systems are CodeMarked

DRAWING

INFORMATION ONLY

Scale:	Date:	Drawn:	Viking
Not to Scale	23/11/2020		

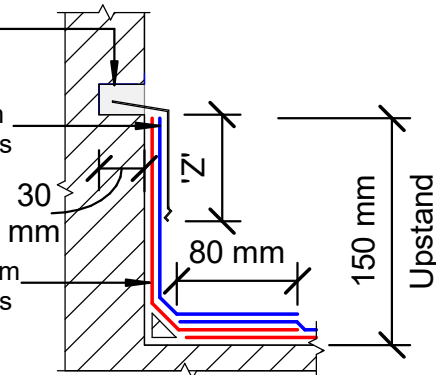
VIK_TOR_080A_APRNURAB



MS Sealant

Viking Torch-on CAP sheet 4mm thick, install as per manufacturers instructions

Viking Torch-on BASE sheet 3mm thick, install as per manufacturers instructions

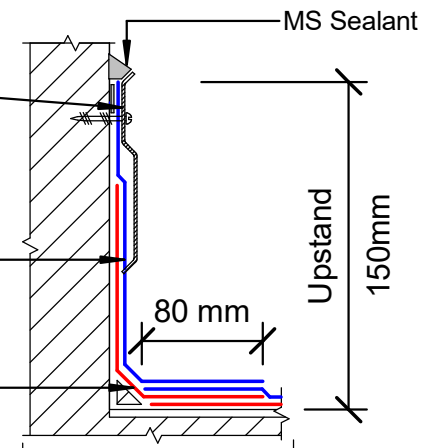


*Chase termination 'A'

Viking Termination Flashing IMT708 with STP870 water cut-off mastic sealant between membrane and wall for a compression seal

Viking Torch-on CAP sheet 4mm thick, install as per manufacturers instructions

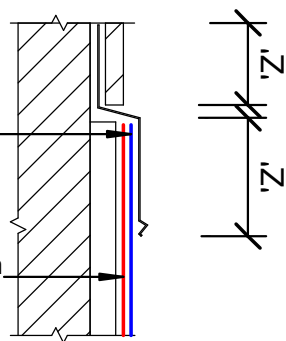
Viking Torch-on BASE sheet 3mm thick, install as per manufacturers instructions



*Pressure Bar termination 'C'

Viking Torch-on CAP sheet 4mm thick, install as per manufacturers instructions

Viking Torch-on BASE sheet 3mm thick, install as per manufacturers instructions



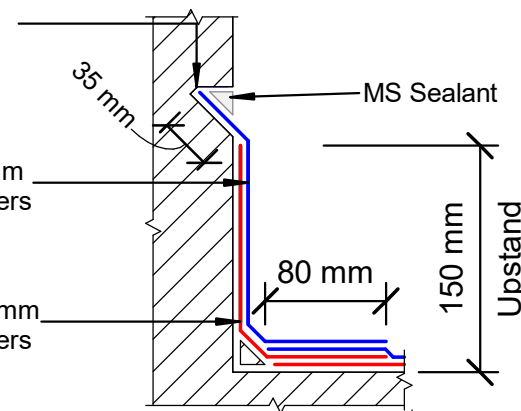
*Apron Flashing termination 'B'

Cap sheet pushed into 45° chase cut.

Seal remaining gap with bituminous compatible sealant.

Viking Torch-on CAP sheet 4mm thick, install as per manufacturers instructions

Viking Torch-on BASE sheet 3mm thick, install as per manufacturers instructions



*Chase termination 'D'

NOTES:

'Z' = Variable cover according to wind zone refer table 7 E2/AS1
150mm membrane upstand height where-ever possible

NOTES:

Substrate to comply with current Viking Roofspec Masterspec specification
Substrate Checksheet available from www.vikingroofspec.co.nz

DRAWING TITLE

Viking Torch-On
Apron_Upstand terminations without cladding

NOTES:

- Viking Waterproof Membrane as notated can be Viking Gemini, Lybra or Phoenix Super.
- All fixings, cladding and structure are indicative only unless notated.



Viking Torch-On systems are CodeMarked

DRAWING

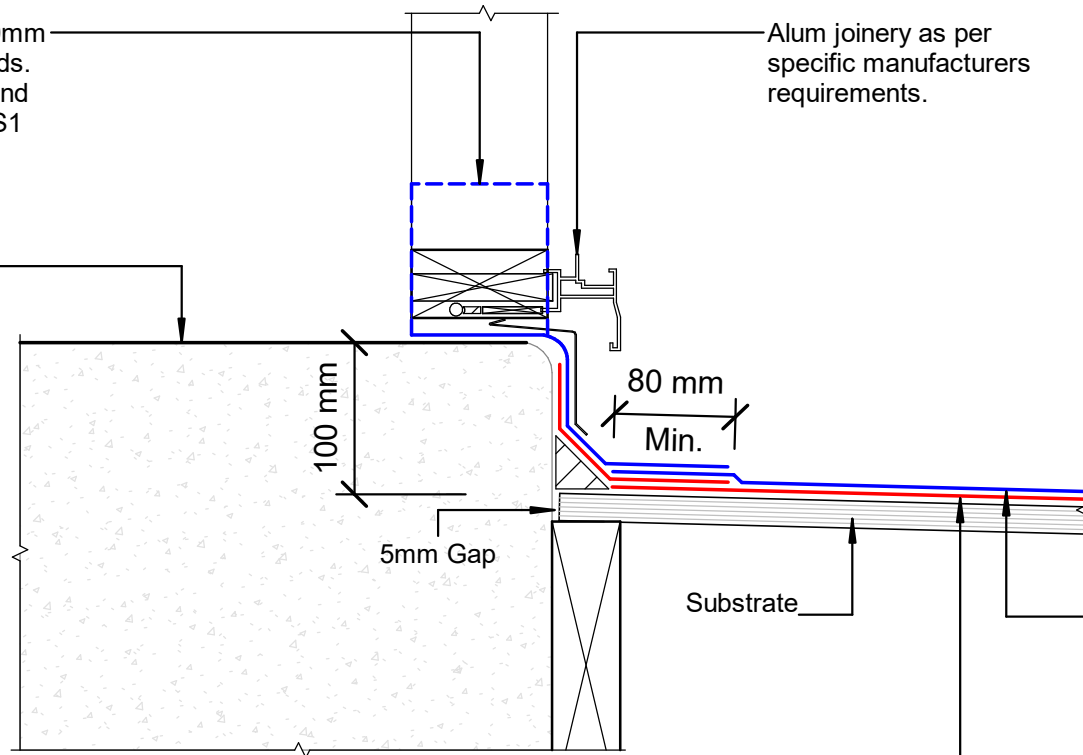
INFORMATION ONLY

Scale:	Date:	Drawn:	Viking
Not to Scale	23/11/2020		
Detail Ref: VIK_TOR_081_APRNUTER			

Finish Membrane 100mm
min. up framing at ends.
Width to suit joinery and
cladding. Refer E2/AS1
FIG62(b)(d)

Alum joinery as per
specific manufacturers
requirements.

Finished Floor Level



Viking Torch-on CAP sheet 4mm
thick, install as per manufacturers
instructions

Viking Torch-on BASE sheet 3mm
thick, install as per manufacturers
instructions

NOTE:

Substrate to comply with current
Viking Roofspec Masterspec
specification
Substrate Checksheet available
from www.vikingroofspec.co.nz

DRAWING TITLE

Viking Torch-On
Threshold_Door

NOTES:

- Viking Waterproof Membrane as notated can be Viking Gemini, Lybra or Phoenix Super.
- All fixings, cladding and structure are indicative only unless notated.



Viking Torch-On
systems are
CodeMarked

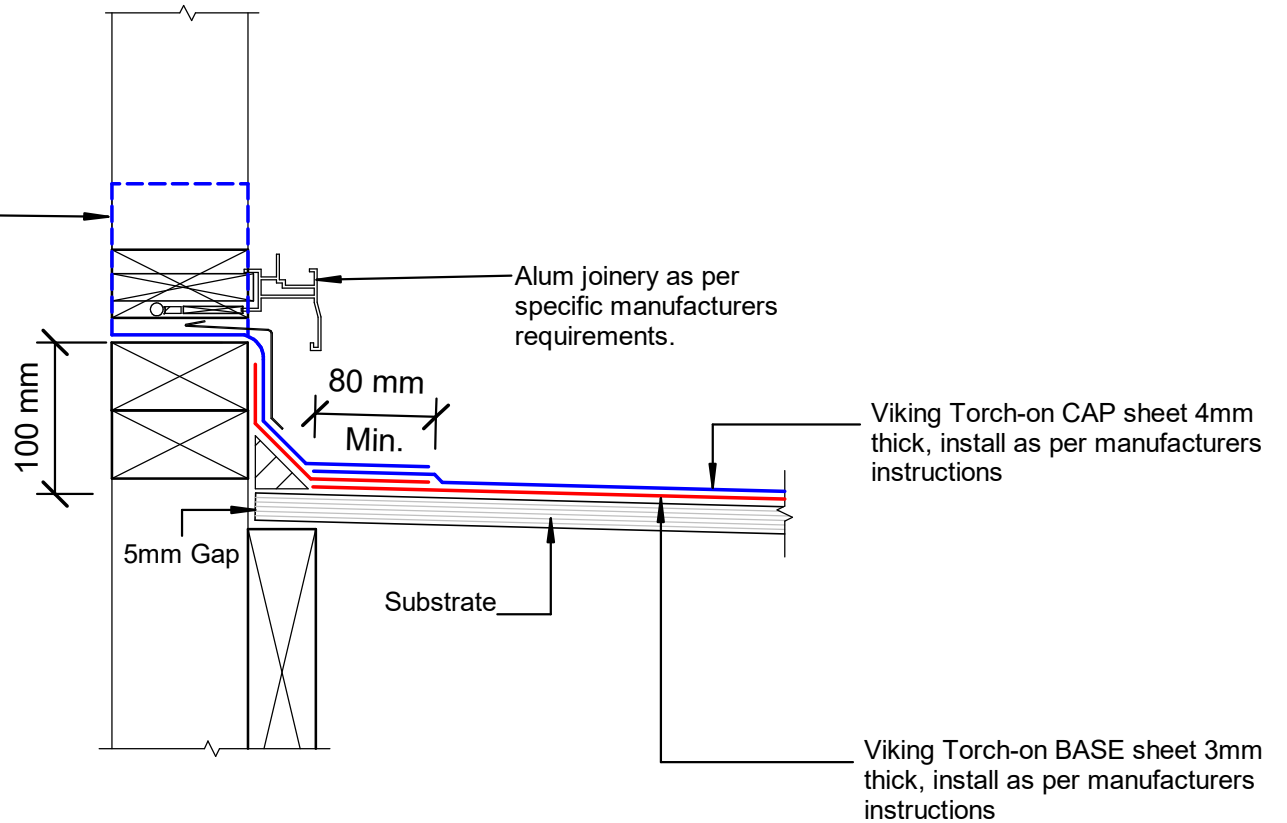
DRAWING

INFORMATION ONLY

Scale:	Date:	Drawn:	Viking
Not to Scale	23/11/2020		
Detail Ref: VIK_TOR_090_DOORTHRS			



Finish Membrane 100mm min. up framing at ends. Width to suit joinery and cladding. Refer E2/AS1 FIG62(b)(d)



NOTE:
 Substrate to comply with current Viking Roofspec Masterspec specification
 Substrate Checksheet available from www.vikingroofspec.co.nz

DRAWING TITLE

Viking Torch-On
 Threshold_Window

NOTES:

- Viking Waterproof Membrane as notated can be Viking Gemini, Lybra or Phoenix Super.
- All fixings, cladding and structure are indicative only unless notated.

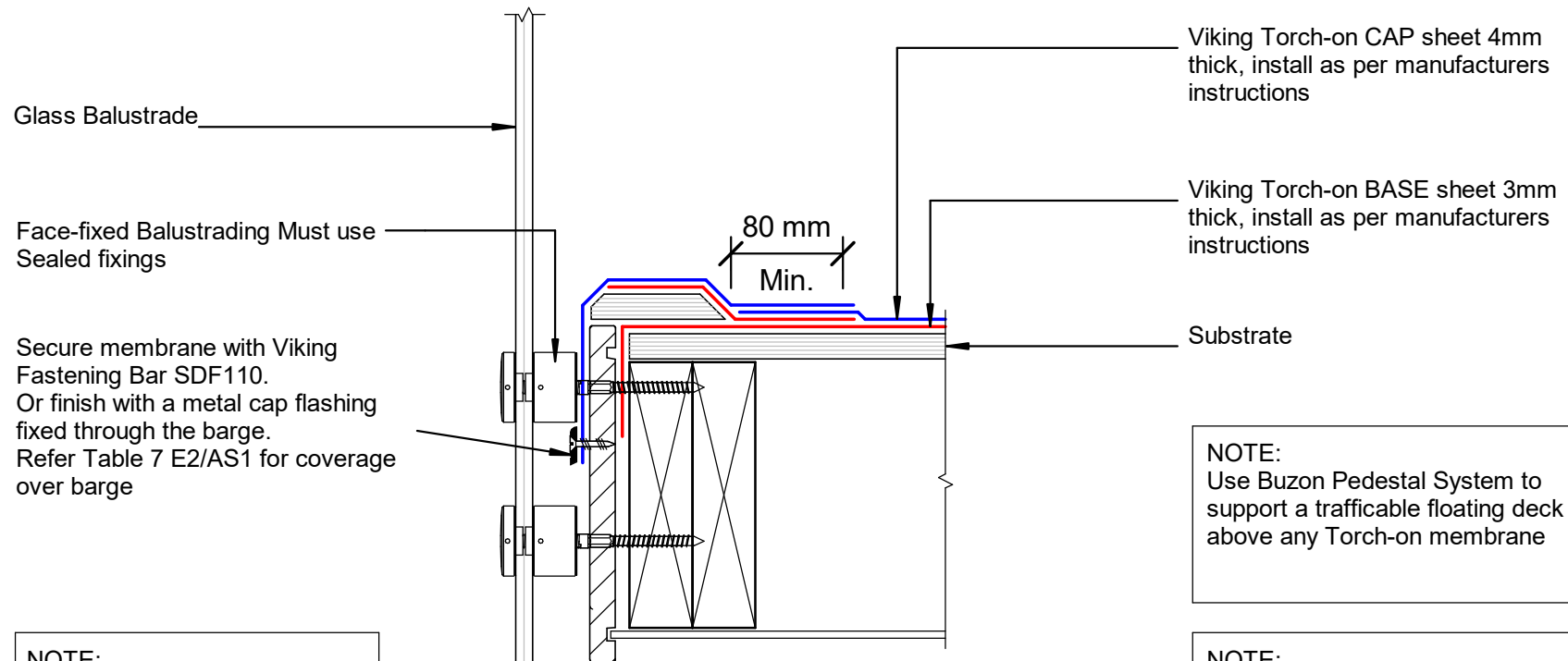


Viking Torch-On systems are CodeMarked

DRAWING

INFORMATION ONLY

Scale:	Date:	Drawn:	Viking
Not to Scale	23/11/2020		
Detail Ref: VIK_TOR_091_WINDTHRS			



NOTE:
Refer detail TOR_040 and TOR_040A

NOTE:
Use Buzon Pedestal System to support a trafficable floating deck above any Torch-on membrane

NOTE:
Substrate to comply with current Viking Roofspec Masterspec specification
Substrate Checksheet available from www.vikingroofspec.co.nz

DRAWING TITLE

Viking Torch-On
Deck_Balustrade

NOTES:

- Viking Waterproof Membrane as notated can be Viking Gemini, Lybra or Phoenix Super.
- All fixings, cladding and structure are indicative only unless notated.



Viking Torch-On systems are CodeMarked

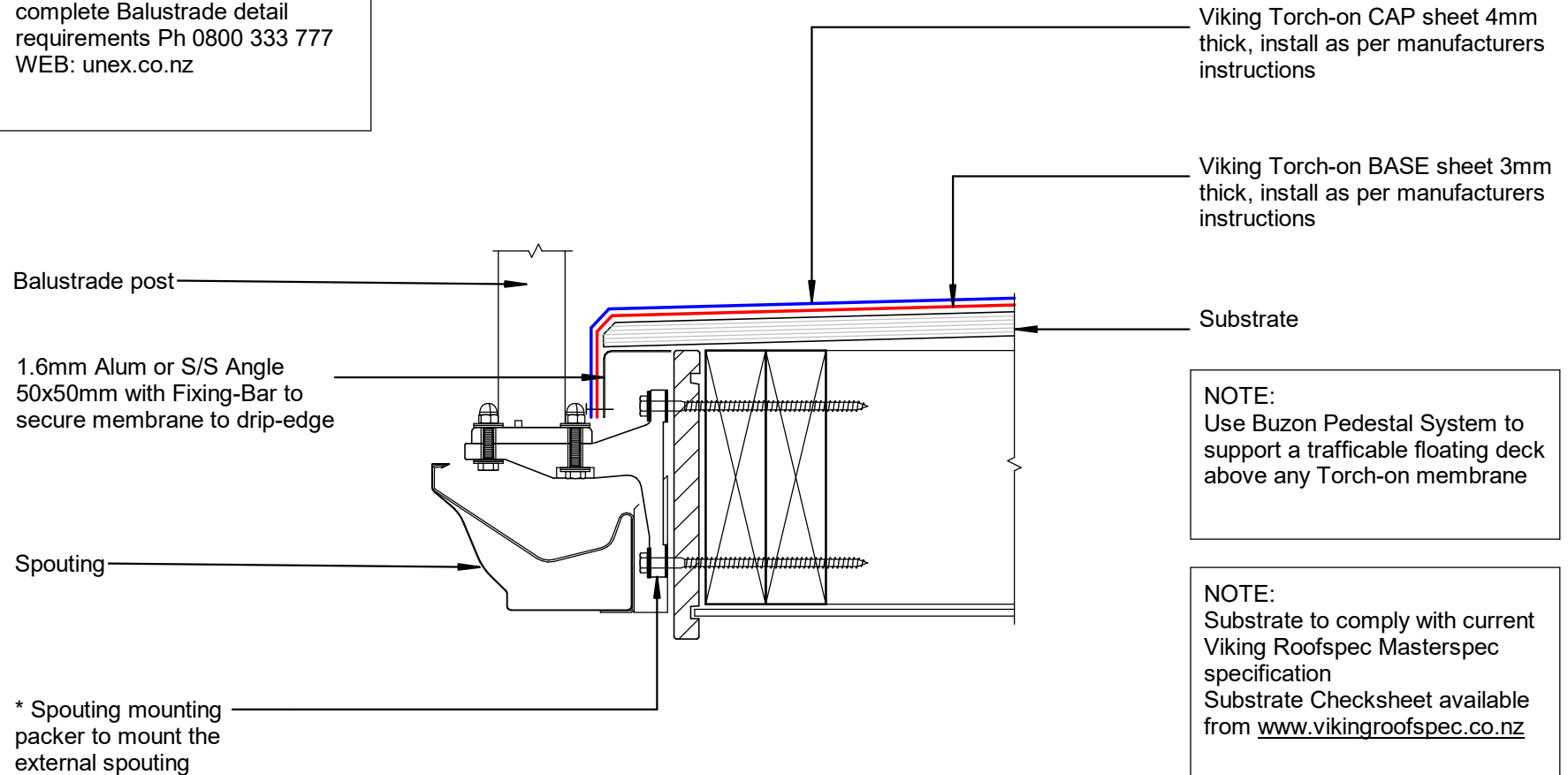
DRAWING

INFORMATION ONLY

Scale:	Date:	Drawn:	Viking
Not to Scale	23/11/2020		
Detail Ref: VIK_TOR_100_DECKBALU			

NOTE:

* Unex Balustrade bracket and system refer to Unex Systems for complete Balustrade detail requirements Ph 0800 333 777 WEB: unex.co.nz



DRAWING TITLE

**Viking Torch-On
Deck_Balustrade to External Spouting**

NOTES:

- Viking Waterproof Membrane as notated can be Viking Gemini, Lybra or Phoenix Super.
- All fixings, cladding and structure are indicative only unless notated.



Viking Torch-On systems are CodeMarked

DRAWING

INFORMATION ONLY

Scale:	Date:	Drawn:	Viking
Not to Scale	23/11/2020		
Detail Ref: VIK_TOR_101_DECKBALU			

