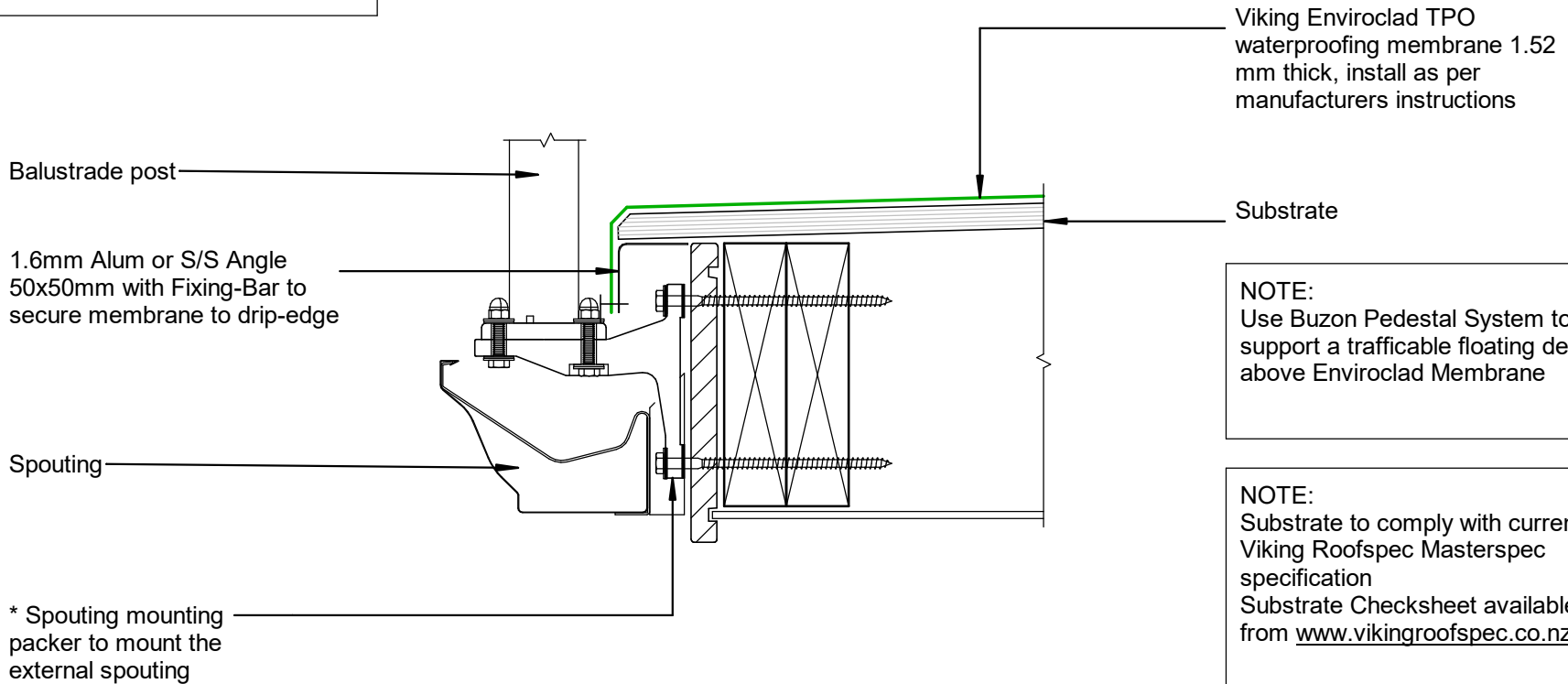


NOTE:

* Unex Balustrade bracket and system refer to Unex Systems for complete Balustrade detail requirements Ph 0800 333 777
WEB: unex.co.nz



NOTE:
Use Buzon Pedestal System to support a trafficable floating deck above Enviroclad Membrane

NOTE:
Substrate to comply with current Viking Roofspec Masterspec specification
Substrate Checksheet available from www.vikingroofspec.co.nz

DRAWING TITLE

Viking Enviroclad
Deck_Balustrade to External Spouting

NOTES:

* Angle fillets are not required at upstands for Enviroclad
* All fixings, cladding and structure are indicative only unless notated



Enviroclad systems are CodeMarked

DRAWING

INFORMATION ONLY

Scale:	Date:	Drawn:	Viking
Not to Scale	23/11/2020		
Detail Ref: VIK_ENV_101_DECKBALU			

