

\*Alum Angle 50x50 x1.6mm fitted under ply.  
 SMT076V Laptape to seal Butylclad / Epiclad to drip-edge

\* Refer NZBC Clause E2 Table 21  
 for Metal Angle compatibility with CCA treated timber.  
 If required use separation layer between materials

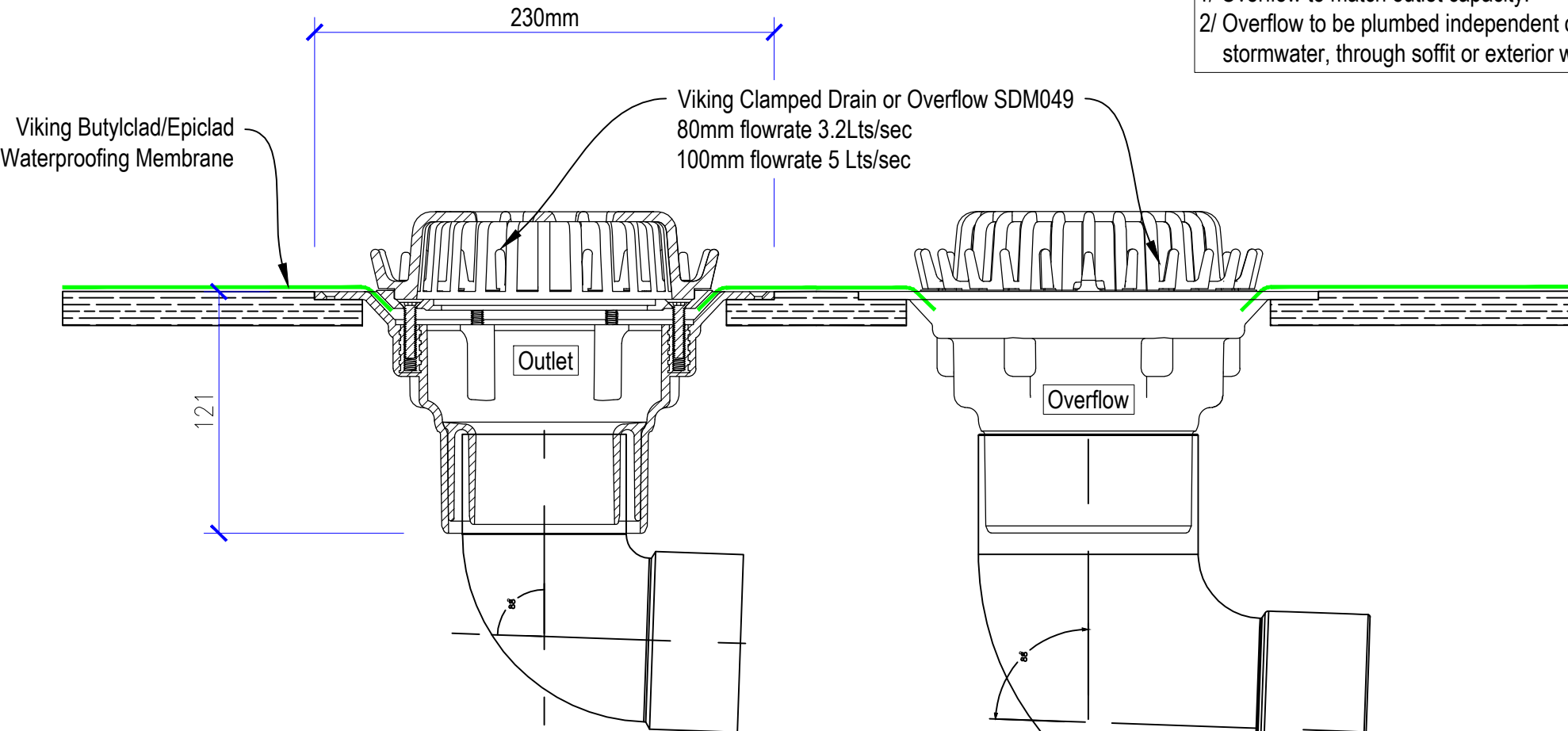


DRAWING TITLE
BE01 Butylclad / Epiclad Drip Edge

NOTES:
1/ Substrate Indicative Only 2/ All external corners / edges require 5mm min. radius

DRAWING STATUS		
INFORMATION ONLY		
Not to Scale	DATE 29/3/2016	Detail Ref.
DRAWN	Viking	BE01
SERIES	1.10	

Note:  
 1/ Overflow to match outlet capacity.  
 2/ Overflow to be plumbed independent of stormwater, through soffit or exterior wall



- All Outlets must be recessed into the substrate to allow water to flow freely into the outlet. This will avoid water ponding around the outlet.
- Clamps and grates are S/S 304 Grade



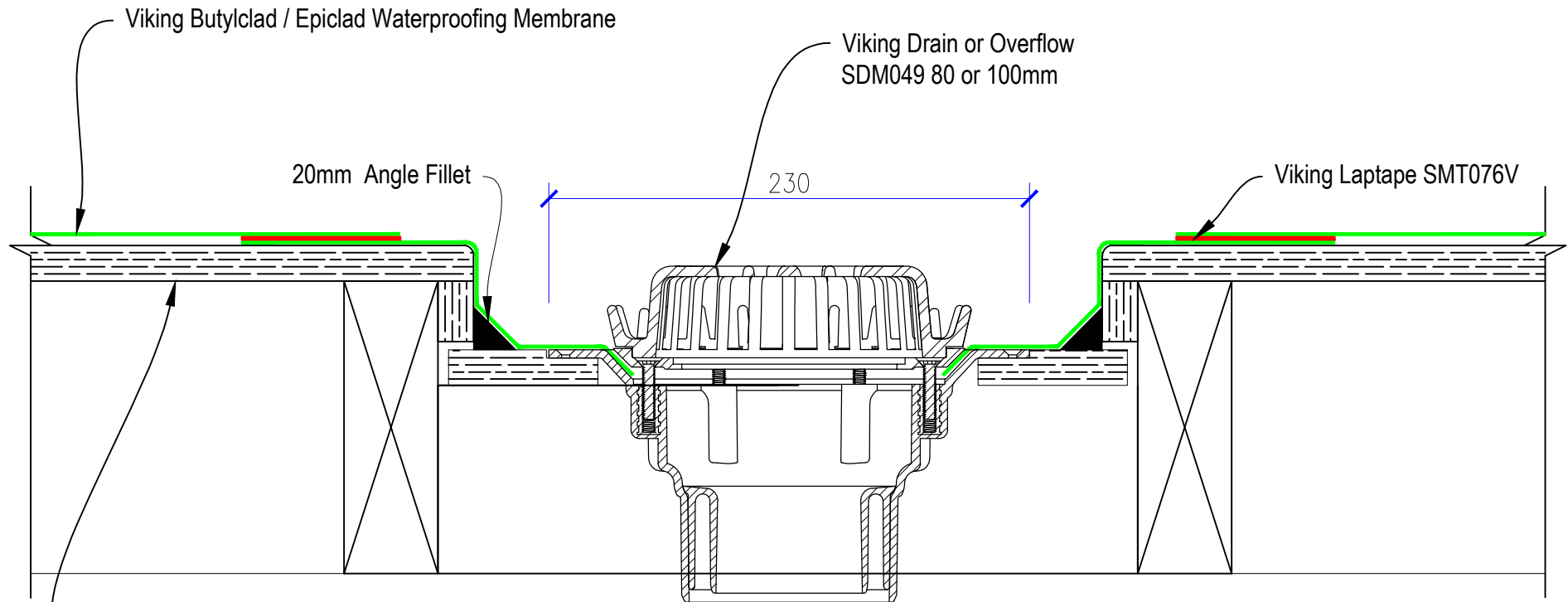
DRAWING TITLE
BE02 Butylclad / Epiclاد Clamped Outlet and Overflow

NOTES:
1/ Substrate Indicative Only 2/ All external corners / edges require 5mm min. radius

DRAWING STATUS		
INFORMATION ONLY		
Not to Scale	DATE 29/3/2016	Detail Ref.
DRAWN	Viking	BE02      A
SERIES	1.10	

It is Viking Roofspec's view that Internal Gutters may not actually be required in many cases.  
 By creating valleys to single points you can minimise roof heights or increase roof falls, all while reducing risk and unnecessary detail.  
 To find out more about best low pitched roof design contact Viking Roofspec Technical 0800 729-799

\*E2/AS1 Min. falls for gutters = 1:100



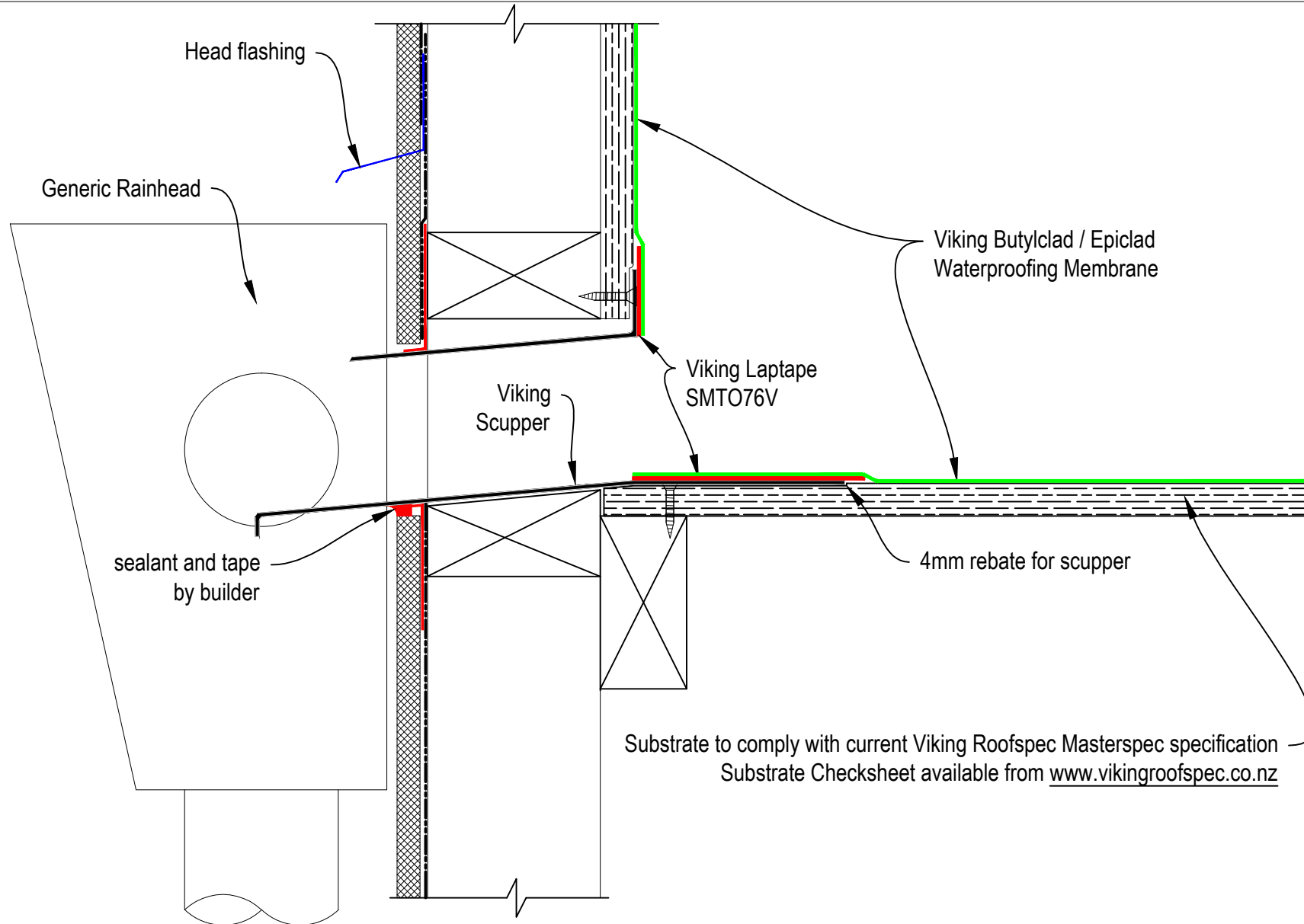
Substrate to comply with current Viking Roofspec Masterspec specification  
 Substrate Checksheet available from [www.vikingroofspec.co.nz](http://www.vikingroofspec.co.nz)



DRAWING TITLE
BE03 Butylclad / Epiclad Internal Gutter

NOTES:
1/ Substrate Indicative Only 2/ All external corners / edges require 5mm min. radius

DRAWING STATUS		
INFORMATION ONLY		
Not to Scale	DATE 29/3/2016	Detail Ref.
DRAWN	Viking	BE03      A
SERIES	1.10	



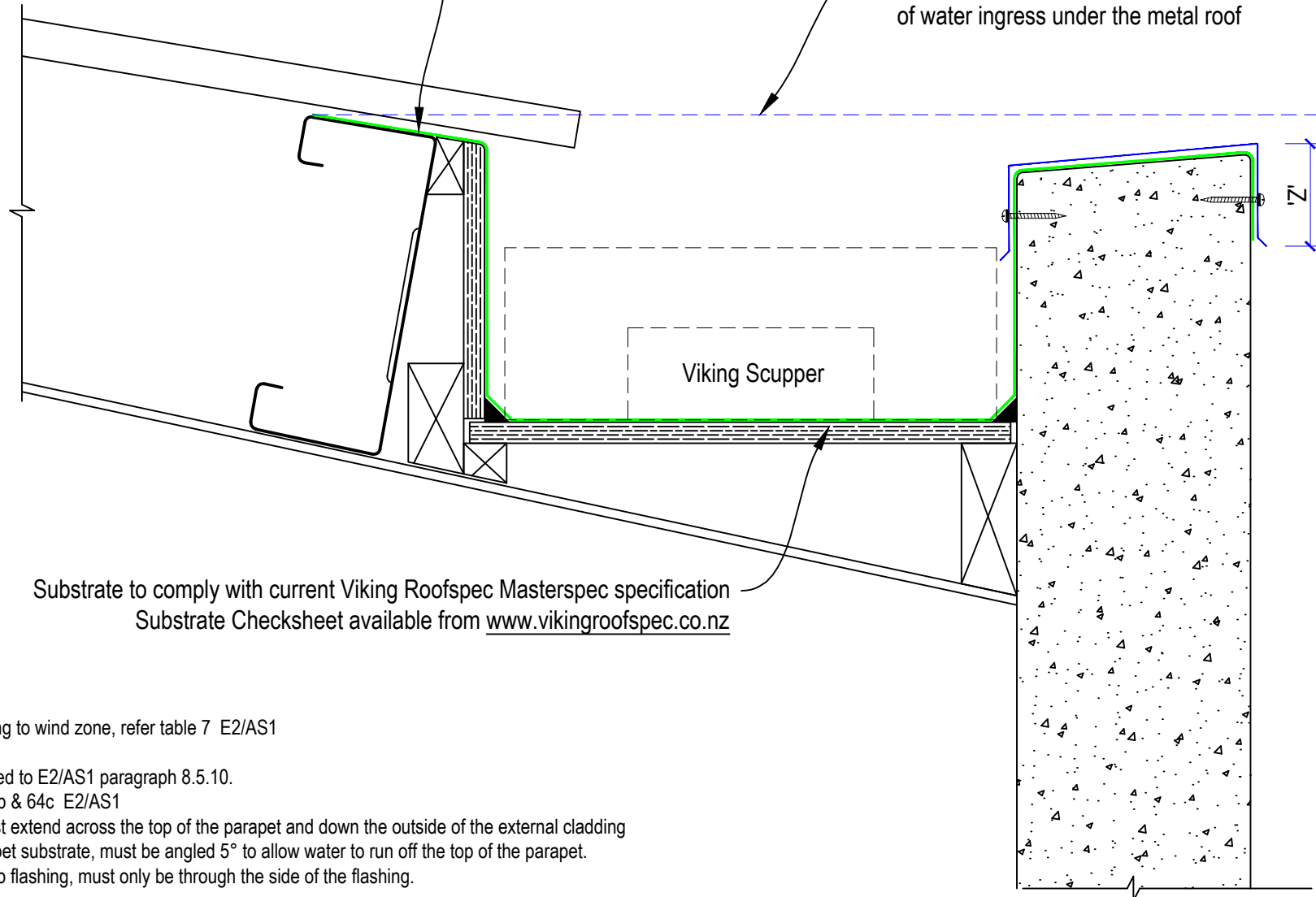
DRAWING TITLE
BE04 Butylclad / Epiclad Scupper Outlet

NOTES:
1/ Substrate Indicative Only 2/ All external corners / edges require 5mm min. radius

DRAWING STATUS		
INFORMATION ONLY		
Not to Scale	DATE 29/3/2016	Detail Ref.
DRAWN	Viking	BE04      A
SERIES	1.10	

Viking Butylclad / Epiclاد Waterproofing Membrane

Consider keeping flood-height of membrane above the parapet where possible, eliminating the possibility of water ingress under the metal roof



Substrate to comply with current Viking Roofspec Masterspec specification  
Substrate Checksheet available from [www.vikingroofspec.co.nz](http://www.vikingroofspec.co.nz)

'Z' = variable according to wind zone, refer table 7 E2/AS1

\* Gutters must be sized to E2/AS1 paragraph 8.5.10.  
refer to fig 64b & 64c E2/AS1

\* The membrane must extend across the top of the parapet and down the outside of the external cladding

\* The top of the parapet substrate, must be angled 5° to allow water to run off the top of the parapet.

\* All fixings for the cap flashing, must only be through the side of the flashing.

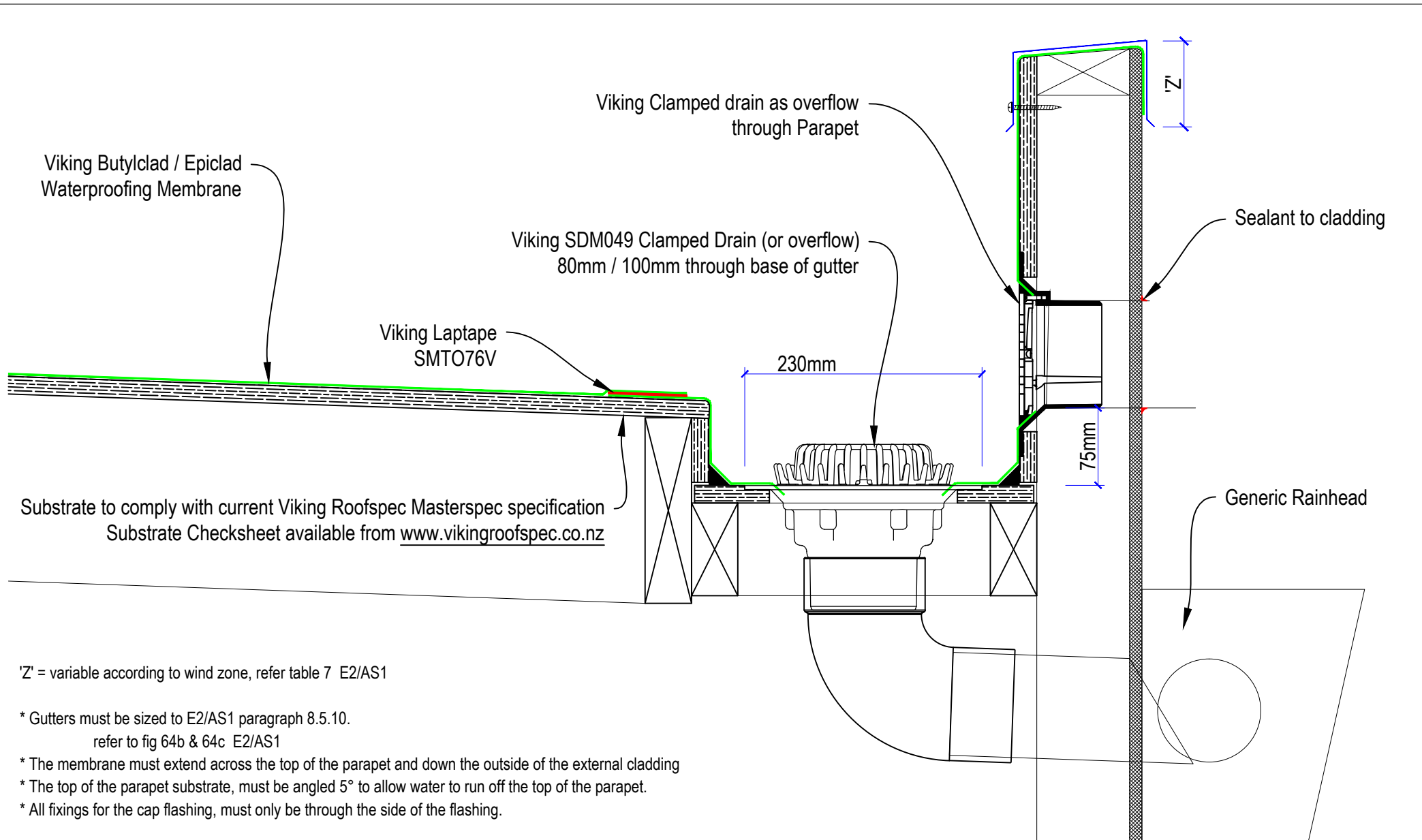
B



DRAWING TITLE
BE05 Butylclad / Epiclاد Parapet Gutter to metal roof

NOTES:
1/ Substrate Indicative Only 2/ All external corners / edges require 5mm min. radius

DRAWING STATUS		
INFORMATION ONLY		
Not to Scale	DATE 29/3/2016	Detail Ref.
DRAWN Viking		BE05      A
SERIES 1.10		



Substrate to comply with current Viking Roofspec Masterspec specification  
 Substrate Checksheet available from [www.vikingroofspec.co.nz](http://www.vikingroofspec.co.nz)

'Z' = variable according to wind zone, refer table 7 E2/AS1

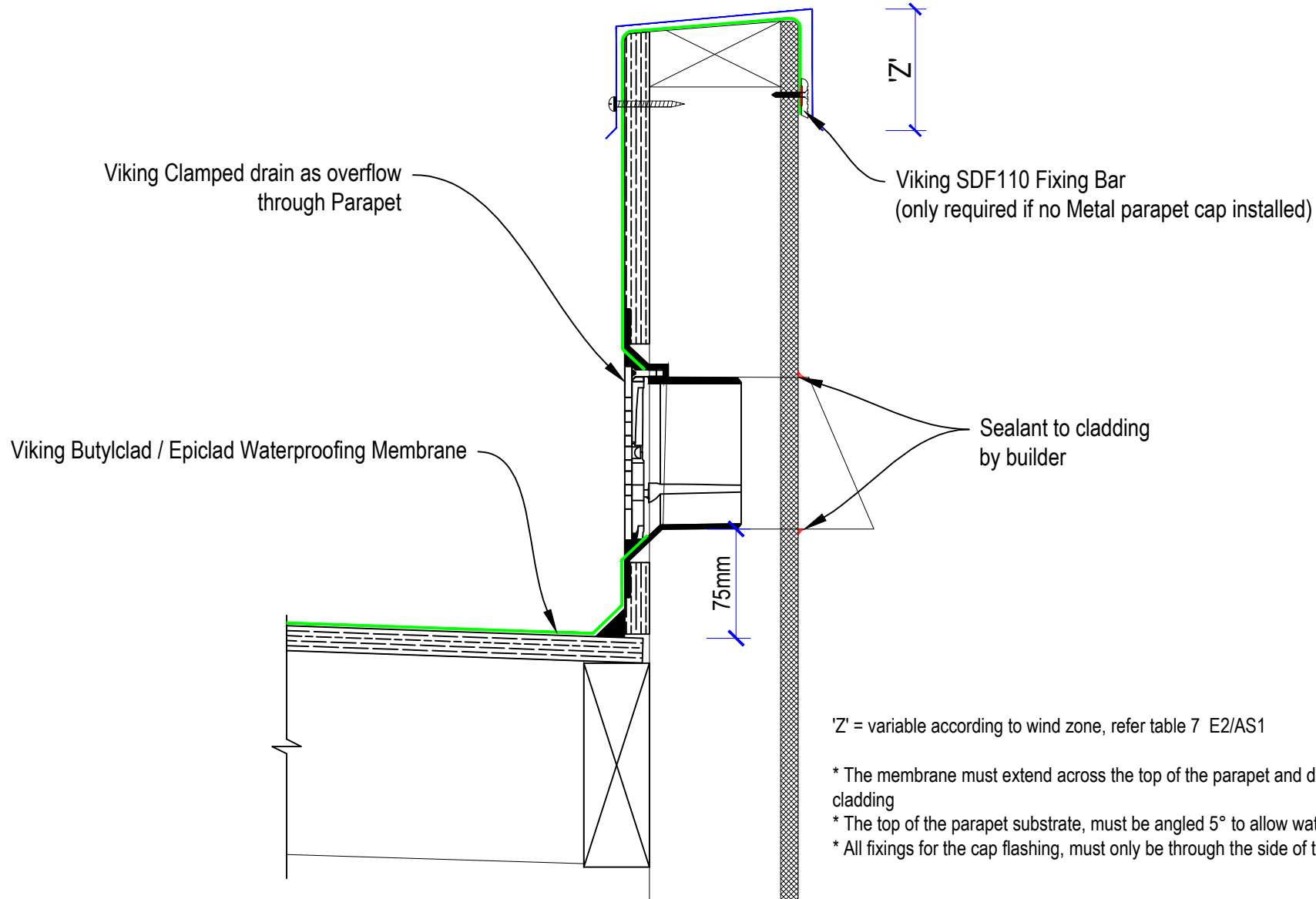
- \* Gutters must be sized to E2/AS1 paragraph 8.5.10.  
refer to fig 64b & 64c E2/AS1
- \* The membrane must extend across the top of the parapet and down the outside of the external cladding
- \* The top of the parapet substrate, must be angled 5° to allow water to run off the top of the parapet.
- \* All fixings for the cap flashing, must only be through the side of the flashing.



DRAWING TITLE
BE06 Butylclad / Epiclad Parapet Gutter / Outlet / Overflow

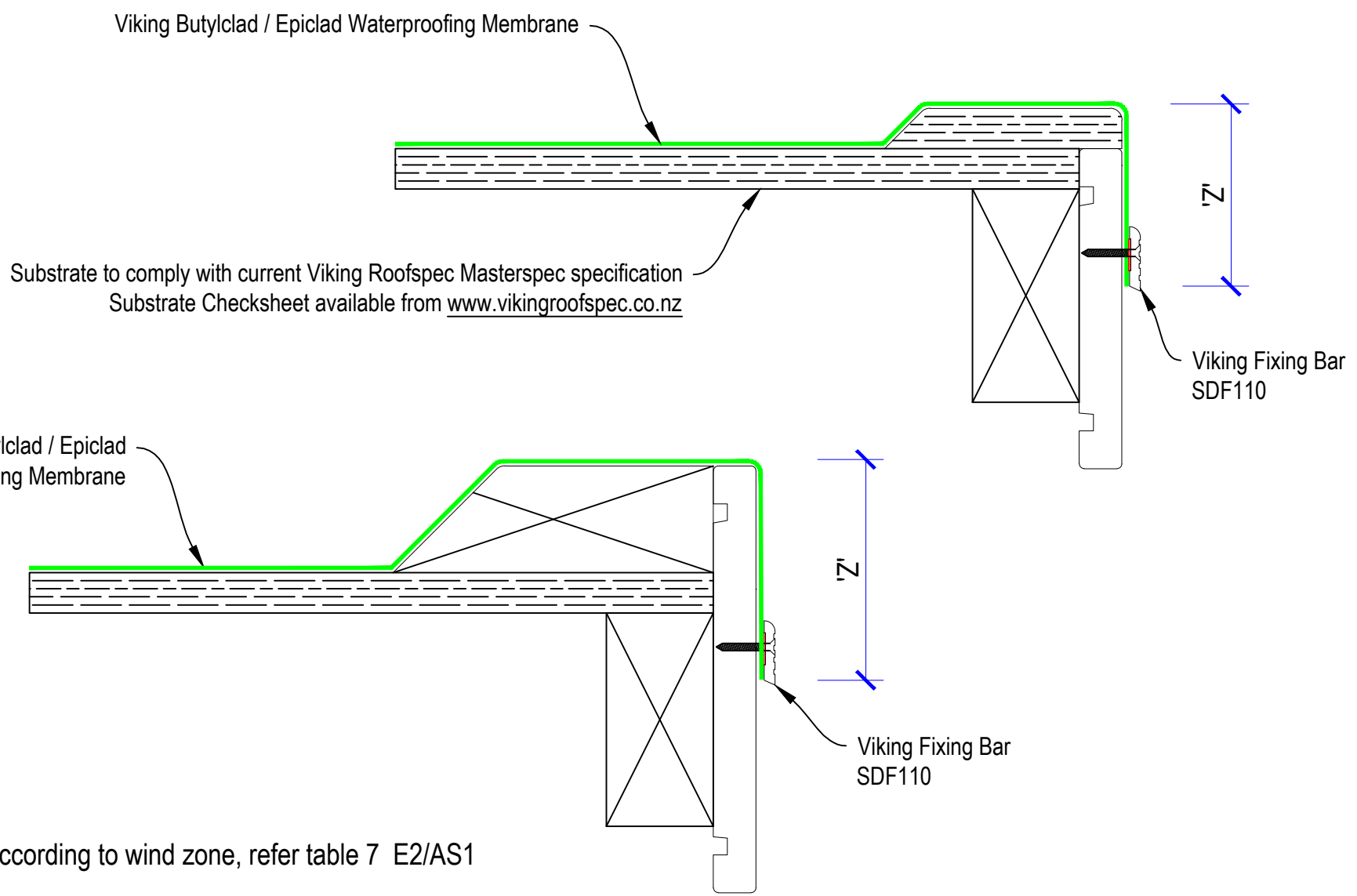
NOTES:
1/ Substrate Indicative Only 2/ All external corners / edges require 5mm min. radius

DRAWING STATUS		
INFORMATION ONLY		
Not to Scale	DATE 29/3/2016	Detail Ref.
DRAWN	Viking	BE06
SERIES	1.10	



'Z' = variable according to wind zone, refer table 7 E2/AS1

- \* The membrane must extend across the top of the parapet and down the outside of the external cladding
- \* The top of the parapet substrate, must be angled 5° to allow water to run off the top of the parapet.
- \* All fixings for the cap flashing, must only be through the side of the flashing.



'Z' = variable according to wind zone, refer table 7 E2/AS1

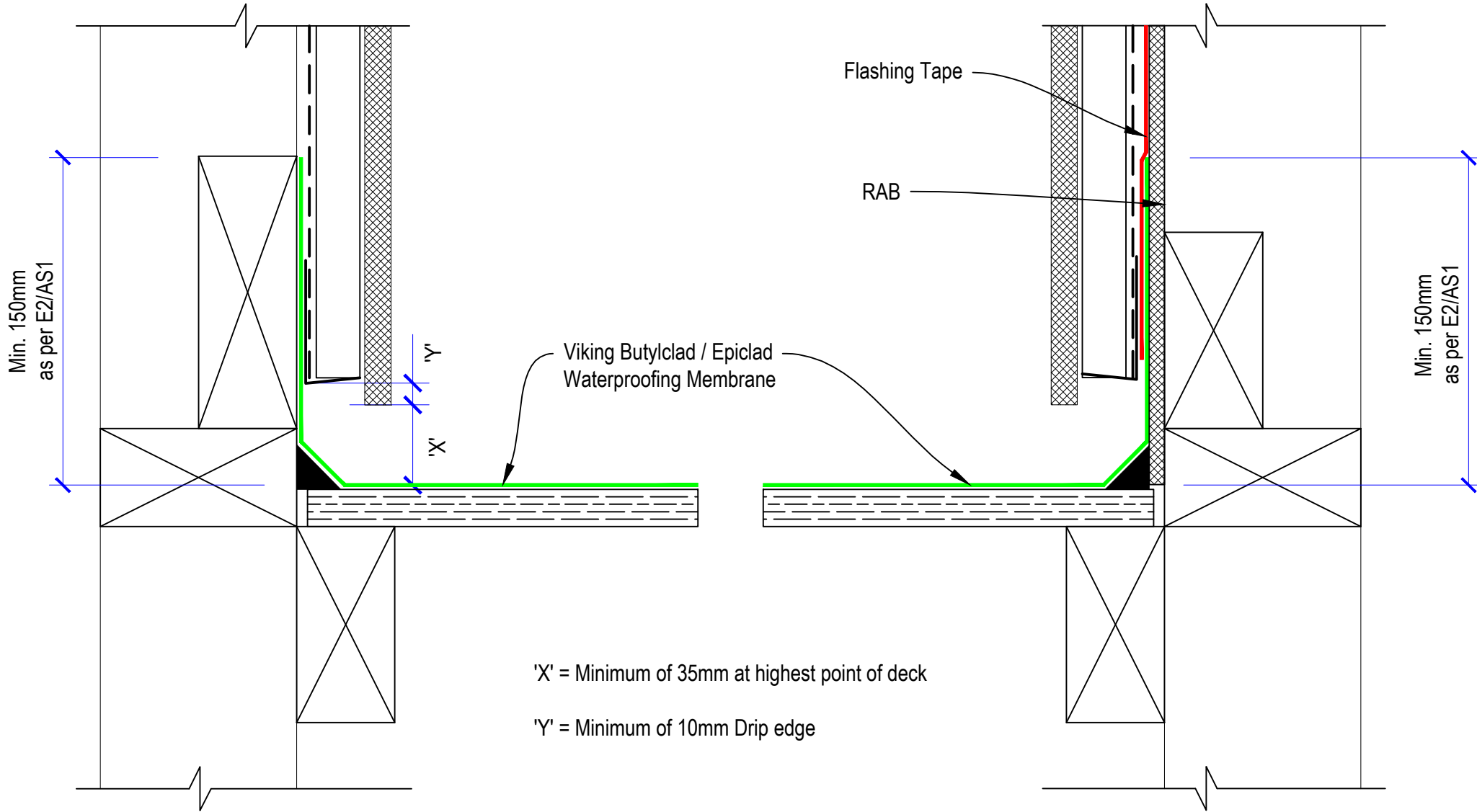


DRAWING TITLE
BE08 Butylclad / Epiclad Barge edge with Fastening Bar

NOTES:
1/ Substrate Indicative Only 2/ All external corners / edges require 5mm min. radius

DRAWING STATUS		
INFORMATION ONLY		
Not to Scale	DATE 29/3/2016	Detail Ref.
DRAWN Viking		BE08      A
SERIES 1.10		





'X' = Minimum of 35mm at highest point of deck  
 'Y' = Minimum of 10mm Drip edge

NOTE: For direct fix cladding refer E2/AS1 Figure 62

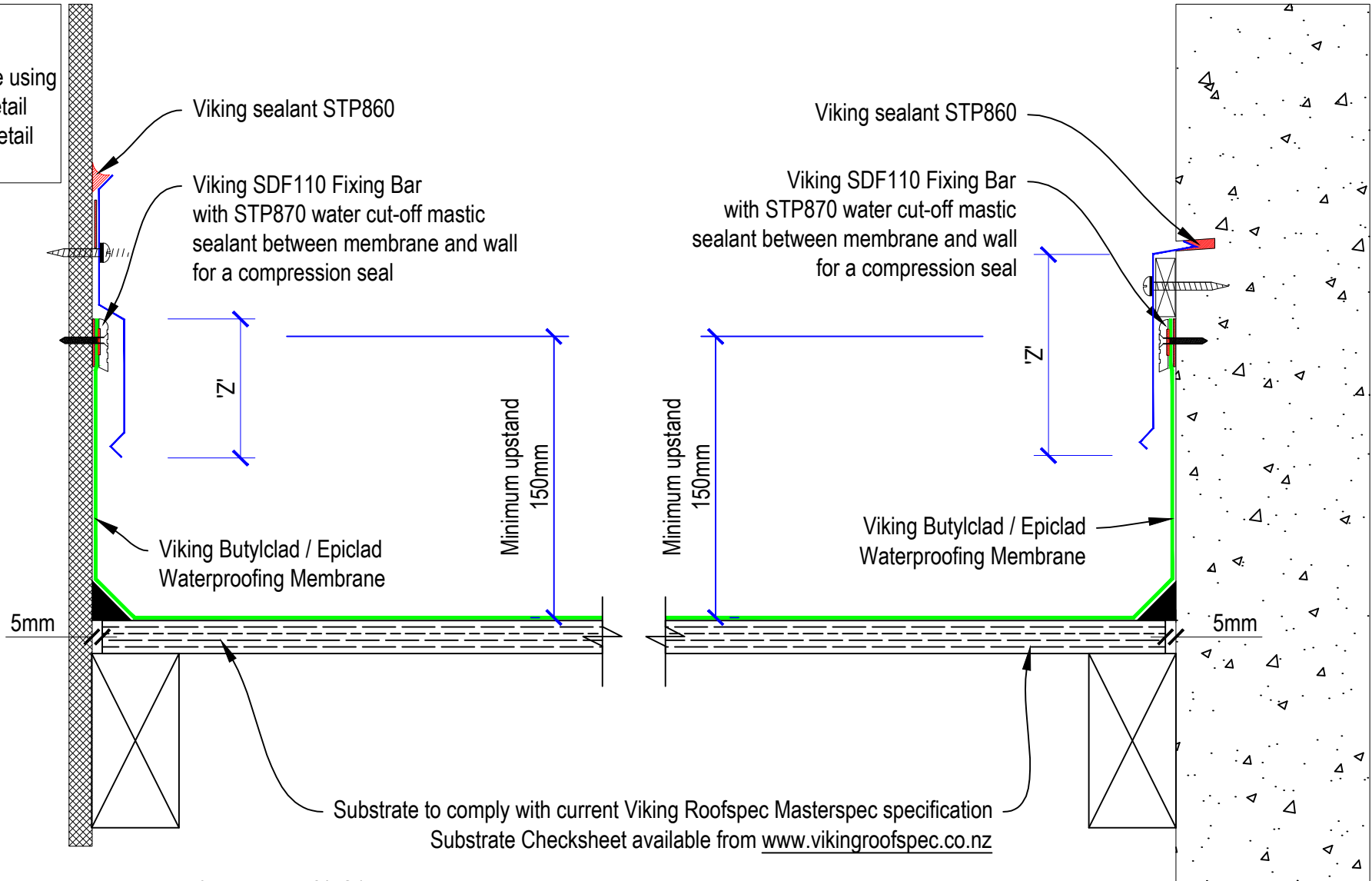


DRAWING TITLE
BE09 Butylclad / Epiclad Wall Upstands behind Cavity

NOTES:
1/ Substrate Indicative Only 2/ All external corners / edges require 5mm min. radius

DRAWING STATUS		
INFORMATION ONLY		
Not to Scale	DATE 29/3/2016	Detail Ref.
DRAWN	Viking	BE09      A
SERIES	1.10	

Note:  
Viking Roofspec  
would only advise using  
a pressure bar detail  
where a Chase detail  
is not practical



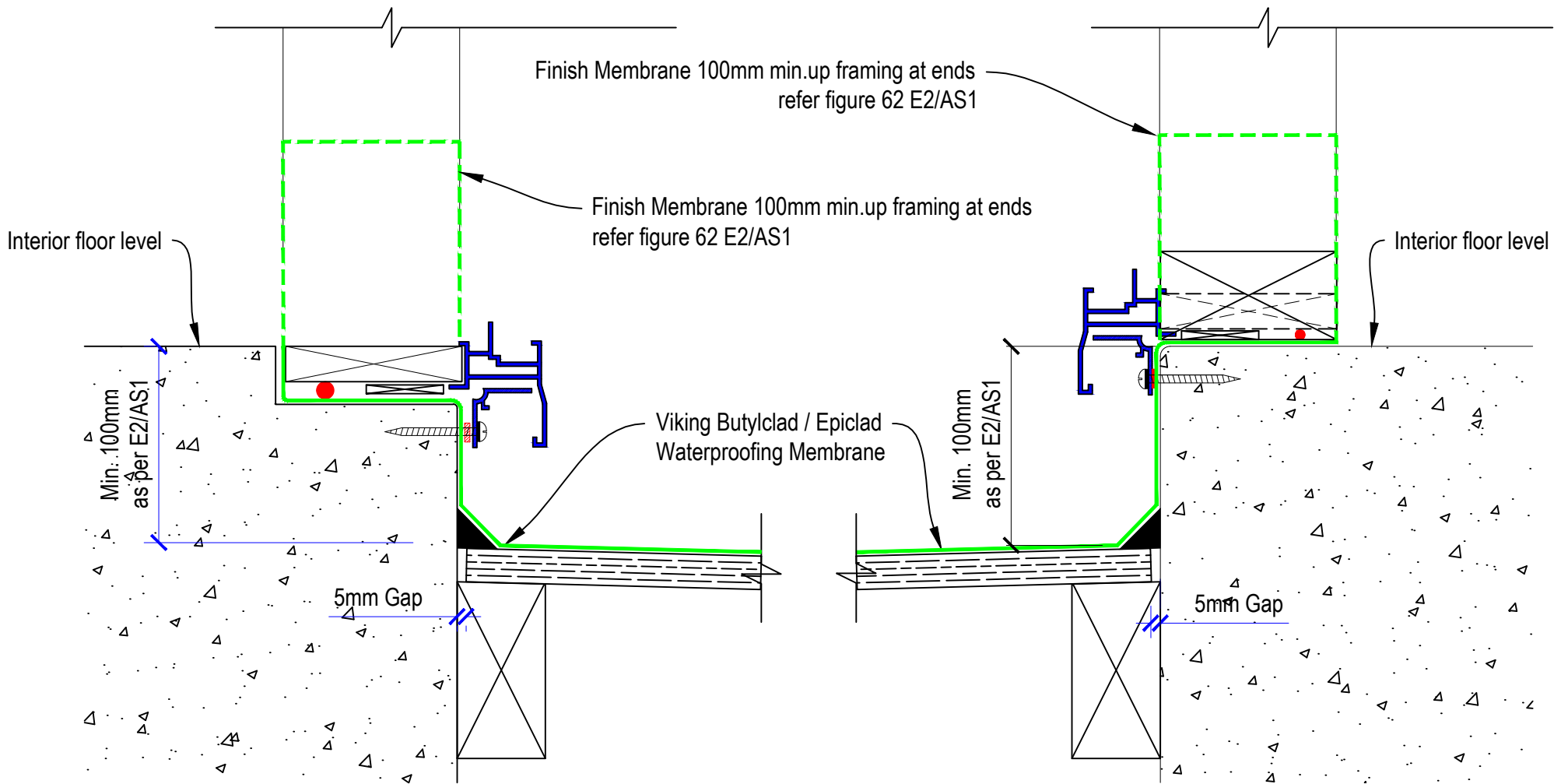
'Z' = variable according to wind zone, refer table 7 E2/AS1



DRAWING TITLE
BE10 Butylclad / Epiclad Chase or Face fix Upstand

NOTES:
1/ Substrate Indicative Only 2/ All external corners / edges require 5mm min. radius

DRAWING STATUS		
INFORMATION ONLY		
Not to Scale	DATE 29/3/2016	Detail Ref.
DRAWN Viking		BE10      A
SERIES 1.10		



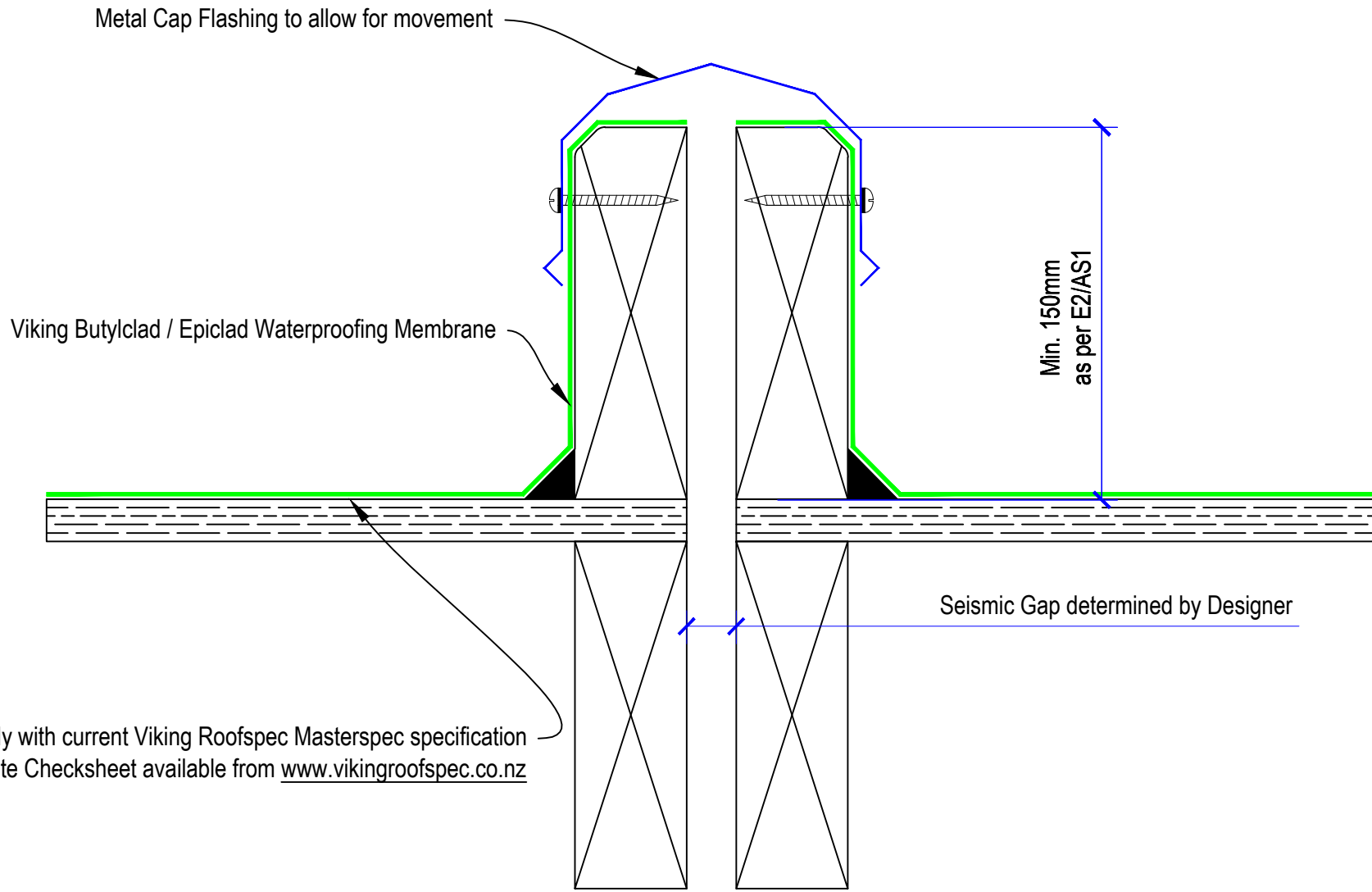
NOTE:  
Deck waterproofing membrane must be 1.5mm thickness, refer E2/AS1 8.5.4



DRAWING TITLE
BE12 Butylclad / Epiclad 100mm Door Threshold to deck

NOTES:
1/ Substrate Indicative Only 2/ All external corners / edges require 5mm min. radius

DRAWING STATUS		
INFORMATION ONLY		
Not to Scale	DATE 29/3/2016	Detail Ref.
DRAWN Viking		BE11      A
SERIES 1.10		



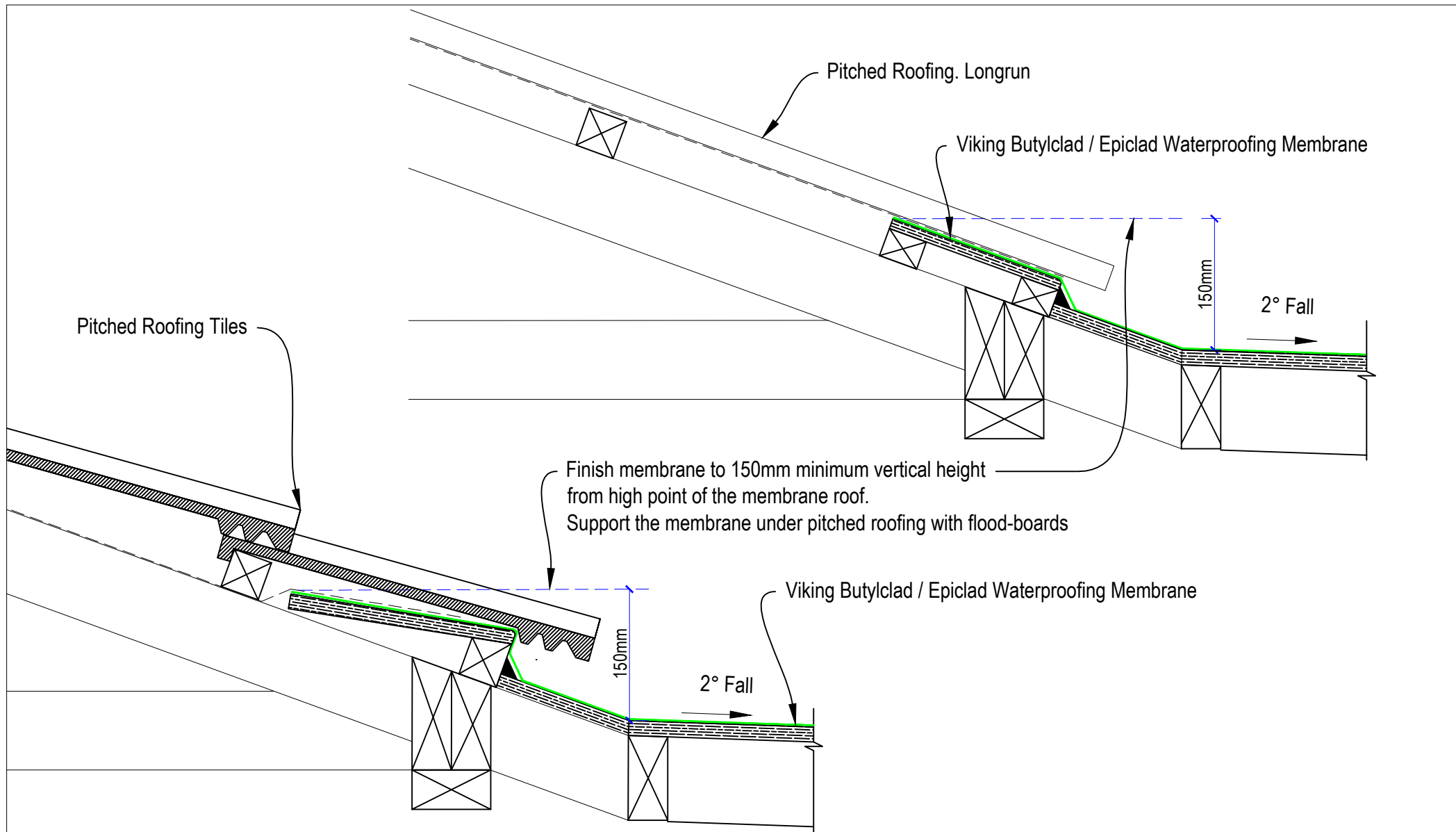
Substrate to comply with current Viking Roofspec Masterspec specification  
 Substrate Checksheet available from [www.vikingroofspec.co.nz](http://www.vikingroofspec.co.nz)



DRAWING TITLE
BE12 Butylclad / Epiclاد Construction Joint

NOTES:
1/ Substrate Indicative Only 2/ All external corners / edges require 5mm min. radius

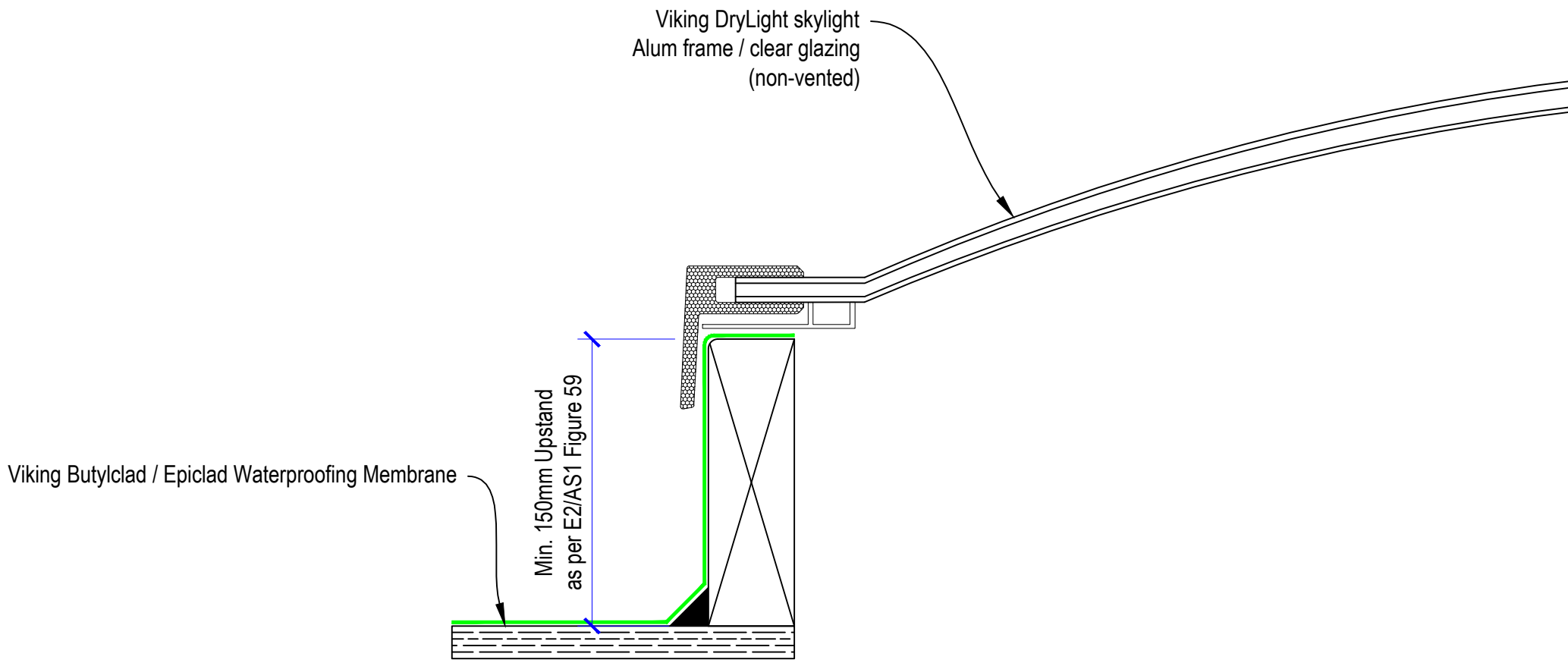
DRAWING STATUS		
INFORMATION ONLY		
Not to Scale	DATE 29/3/2016	Detail Ref.
DRAWN Viking		BE12      A
SERIES 1.10		



DRAWING TITLE
BE13 Butylclad / Epiclad To Pitched roofing

NOTES:
1/ Substrate Indicative Only 2/ All external corners / edges require 5mm min. radius

DRAWING STATUS		
INFORMATION ONLY		
Not to Scale	DATE 29/3/2016	Detail Ref.
DRAWN	Viking	BE13      A
SERIES	1.10	

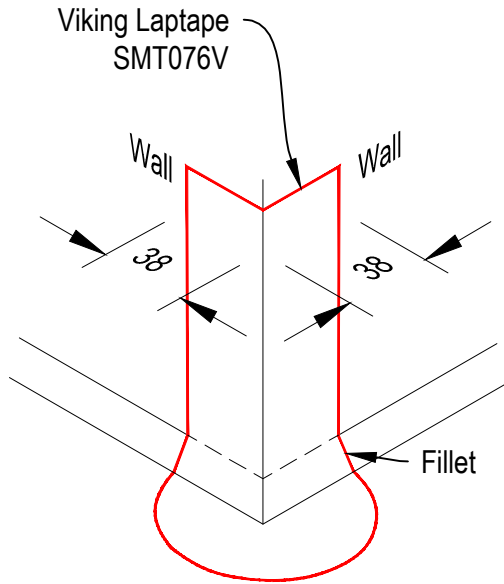


DRAWING TITLE
BE14 Butylclad / Epiclad Skylight upstand

NOTES:
1/ Substrate Indicative Only 2/ All external corners / edges require 5mm min. radius

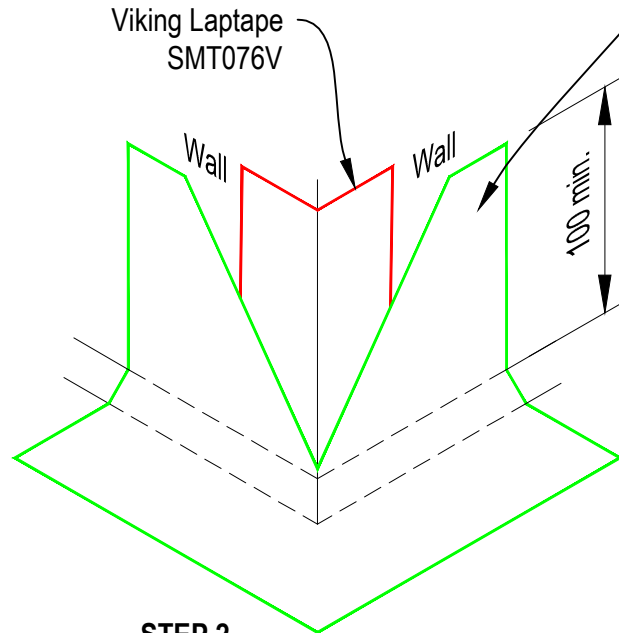
DRAWING STATUS		
INFORMATION ONLY		
Not to Scale	DATE 29/3/2016	Detail Ref.
DRAWN	Viking	BE14      A
SERIES	1.10	

Viking Butylclad / Epiclad Waterproofing Membrane



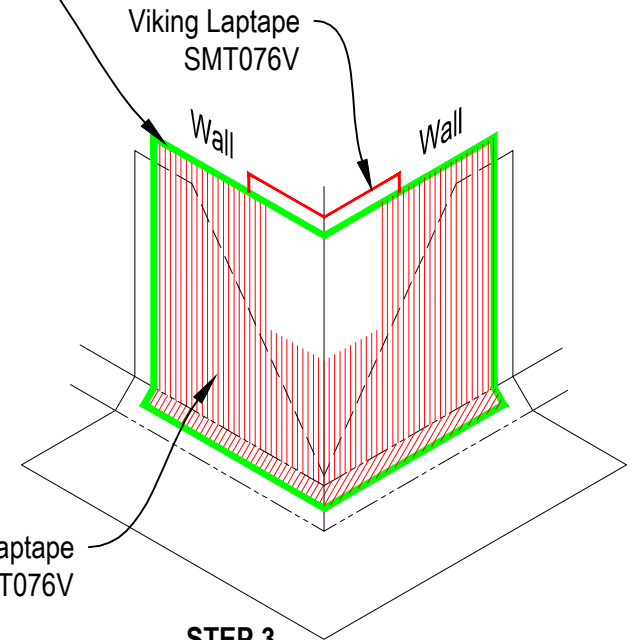
**STEP 1**

Apply Viking SMT076V Laptape to corner as shown.



**STEP 2**

Take membrane up wall min. 100mm and cut on 45° angle to corner (above the fillet)



**STEP 3**

Flash over with a piece of same membrane using SMT076 Laptape to join rubber to rubber

**NOTE:**

As per E2/AS1 Figure 57



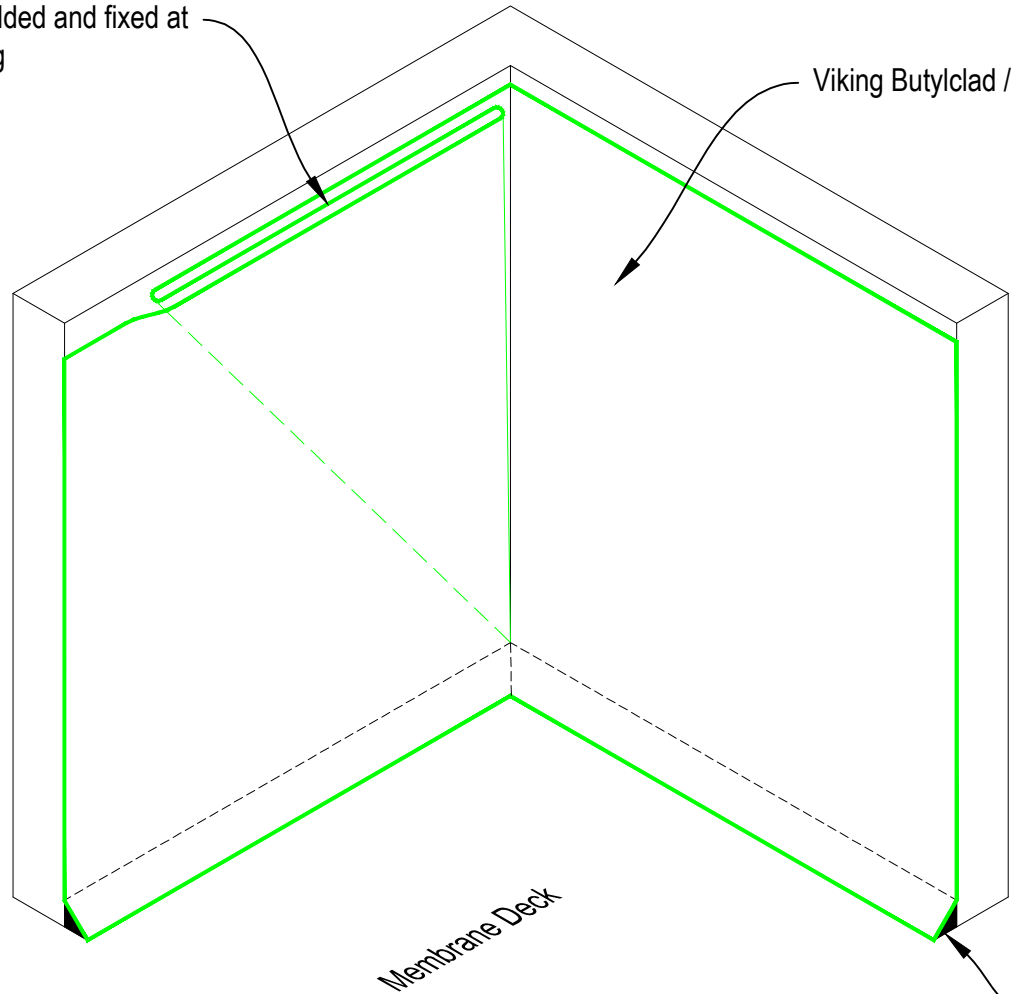
DRAWING TITLE
BE15 Butylclad / Epiclad External Corner

NOTES:
1/ Substrate Indicative Only 2/ All external corners / edges require 5mm min. radius

DRAWING STATUS		
INFORMATION ONLY		
Not to Scale	DATE 29/3/2016	Detail Ref.
DRAWN	Viking	BE15      A
SERIES	1.10	

Membrane upstand folded and fixed at corners without cutting

Viking Butylclad / Epiclad Waterproofing Membrane



20mm Angle Fillet

Membrane Deck

NOTE:  
As per E2/AS1 Figure 58

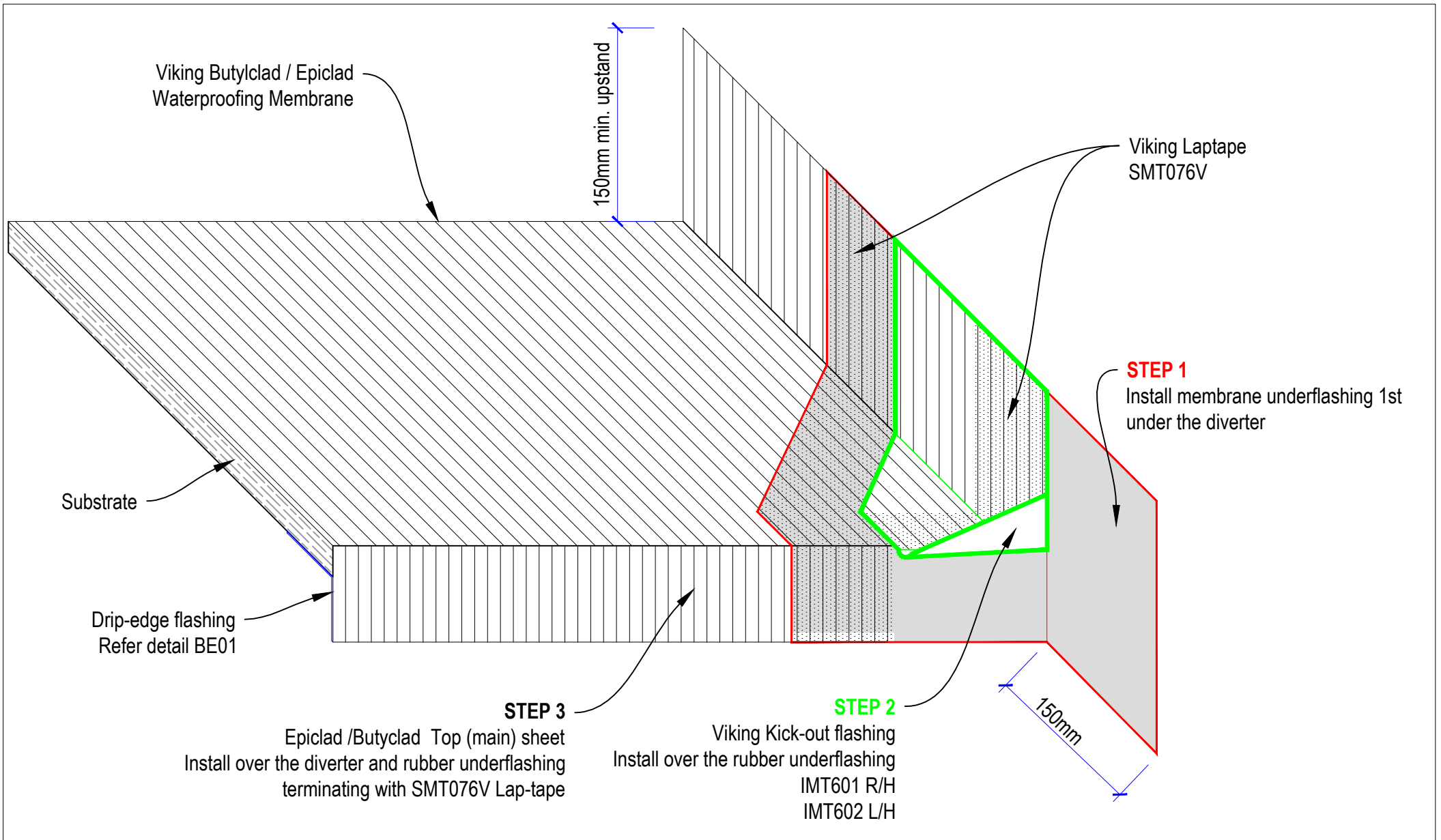


DRAWING TITLE
BE16 Butylclad / Epiclad Internal Corner

NOTES:
1/ Substrate Indicative Only 2/ All external corners / edges require 5mm min. radius

DRAWING STATUS		
INFORMATION ONLY		
Not to Scale	DATE 29/3/2016	Detail Ref.
DRAWN	Viking	BE16      A
SERIES	1.10	

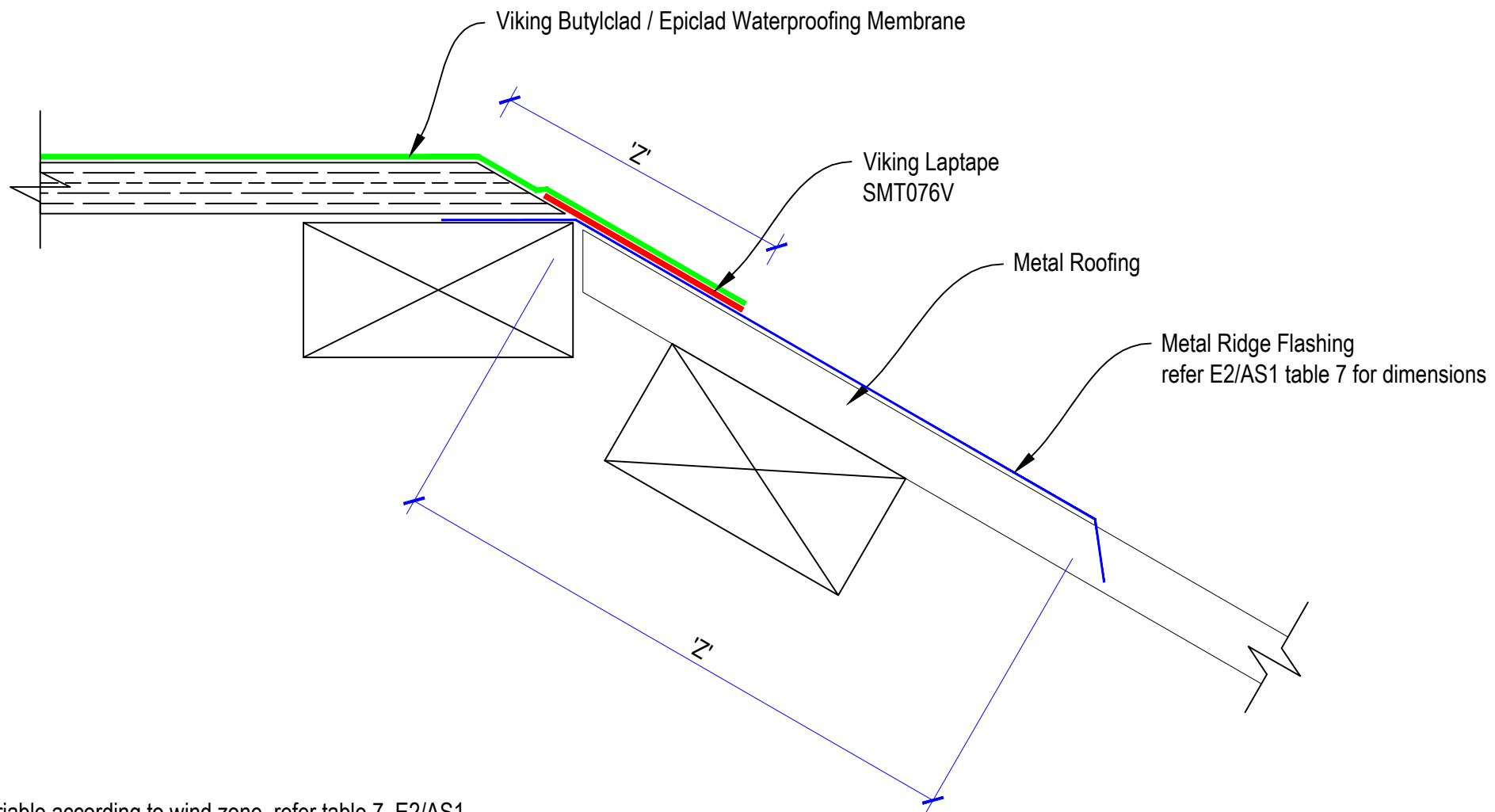




DRAWING TITLE
BE17 Butylclad / Epiclad Kick-out Diverter

NOTES:
1/ Substrate Indicative Only 2/ All external corners / edges require 5mm min. radius

DRAWING STATUS		
<b>INFORMATION ONLY</b>		
Not to Scale	DATE 29/3/2016	Detail Ref.
DRAWN	Viking	BE17
SERIES	1.10	A



'Z' = variable according to wind zone, refer table 7 E2/AS1

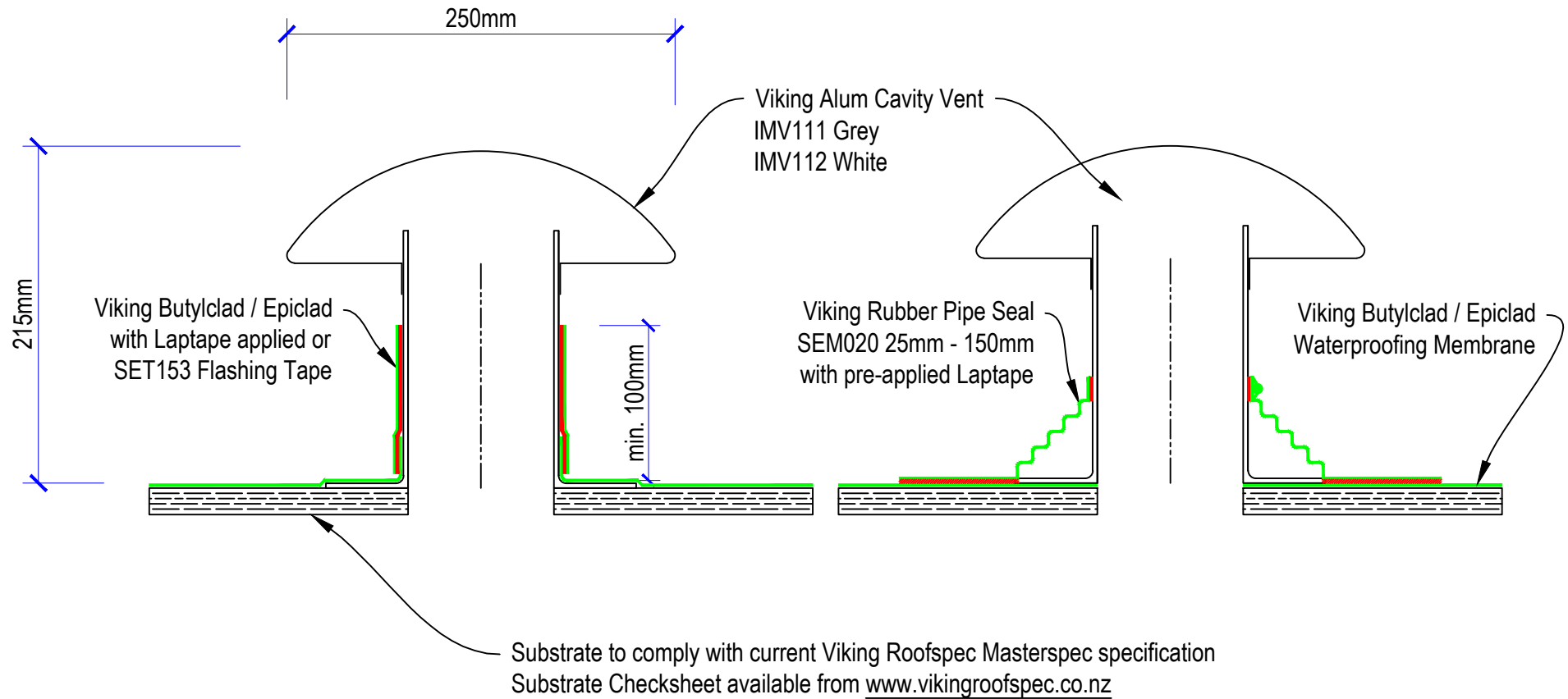


DRAWING TITLE
BE18 Butylclad / Epiclad to Mansard Roofing Junction

NOTES:
1/ Substrate Indicative Only 2/ All external corners / edges require 5mm min. radius

DRAWING STATUS		
INFORMATION ONLY		
Not to Scale	DATE 29/3/2016	Detail Ref.
DRAWN	Viking	BE18      A
SERIES	1.10	

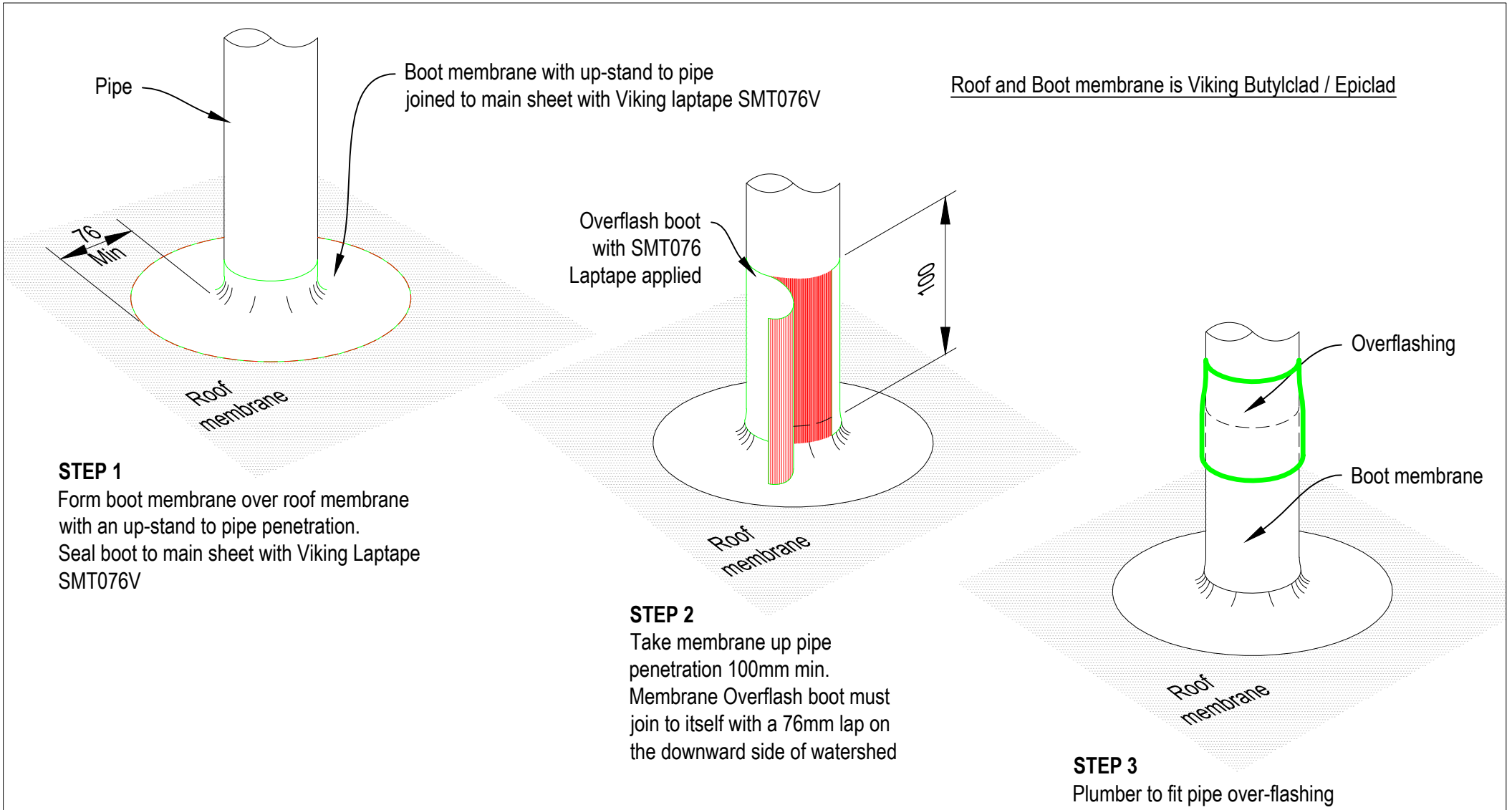
How many vents?  
 Viking recommends 1 vent within the 1st 40m<sup>2</sup> area  
 then 1 additional vent per 50m<sup>2</sup> thereafter  
 Note: No vents required if specifying Viking Warmroof system



DRAWING TITLE
BE19 Butylclad / Epiclad Cavity or substrate Vents

NOTES:
1/ Substrate Indicative Only 2/ All external corners / edges require 5mm min. radius

DRAWING STATUS		
INFORMATION ONLY		
Not to Scale	DATE 29/3/2016	Detail Ref.
DRAWN	Viking	BE19      A
SERIES	1.10	



**STEP 1**

Form boot membrane over roof membrane with an up-stand to pipe penetration. Seal boot to main sheet with Viking Laptape SMT076V

**STEP 2**

Take membrane up pipe penetration 100mm min. Membrane Overflash boot must join to itself with a 76mm lap on the downward side of watershed

**STEP 3**

Plumber to fit pipe over-flashing

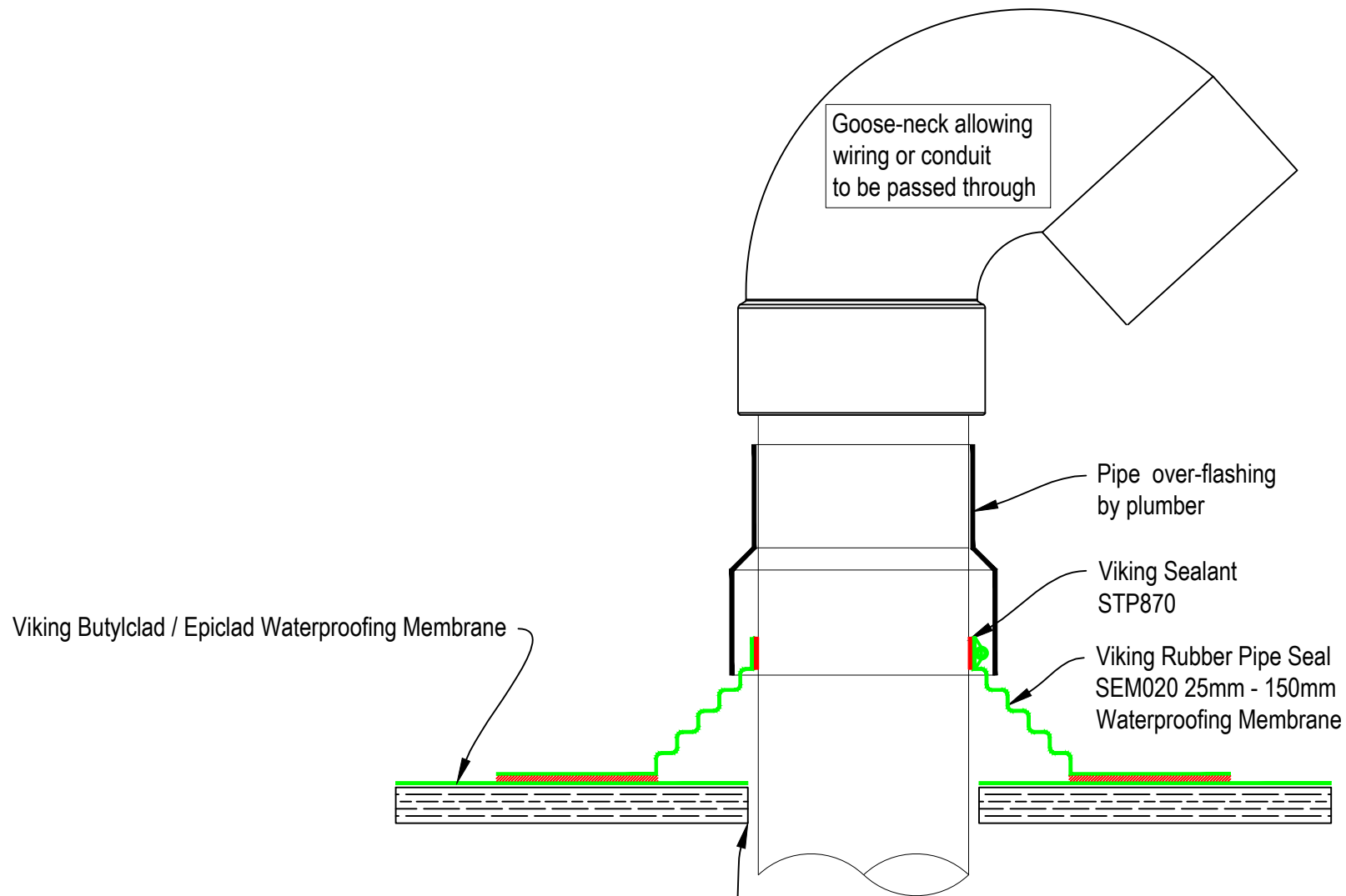
Refer E2/AS1 Figure 60



DRAWING TITLE
BE20 Butylclad / Epiclad Pipe Penetration

NOTES:
1/ Substrate Indicative Only 2/ All external corners / edges require 5mm min. radius

DRAWING STATUS		
INFORMATION ONLY		
Not to Scale	DATE 29/3/2016	Detail Ref.
DRAWN Viking		BE20      A
SERIES 1.10		



Substrate to comply with current Viking Roofspec Masterspec specification  
 Substrate Checksheet available from [www.vikingroofspec.co.nz](http://www.vikingroofspec.co.nz)

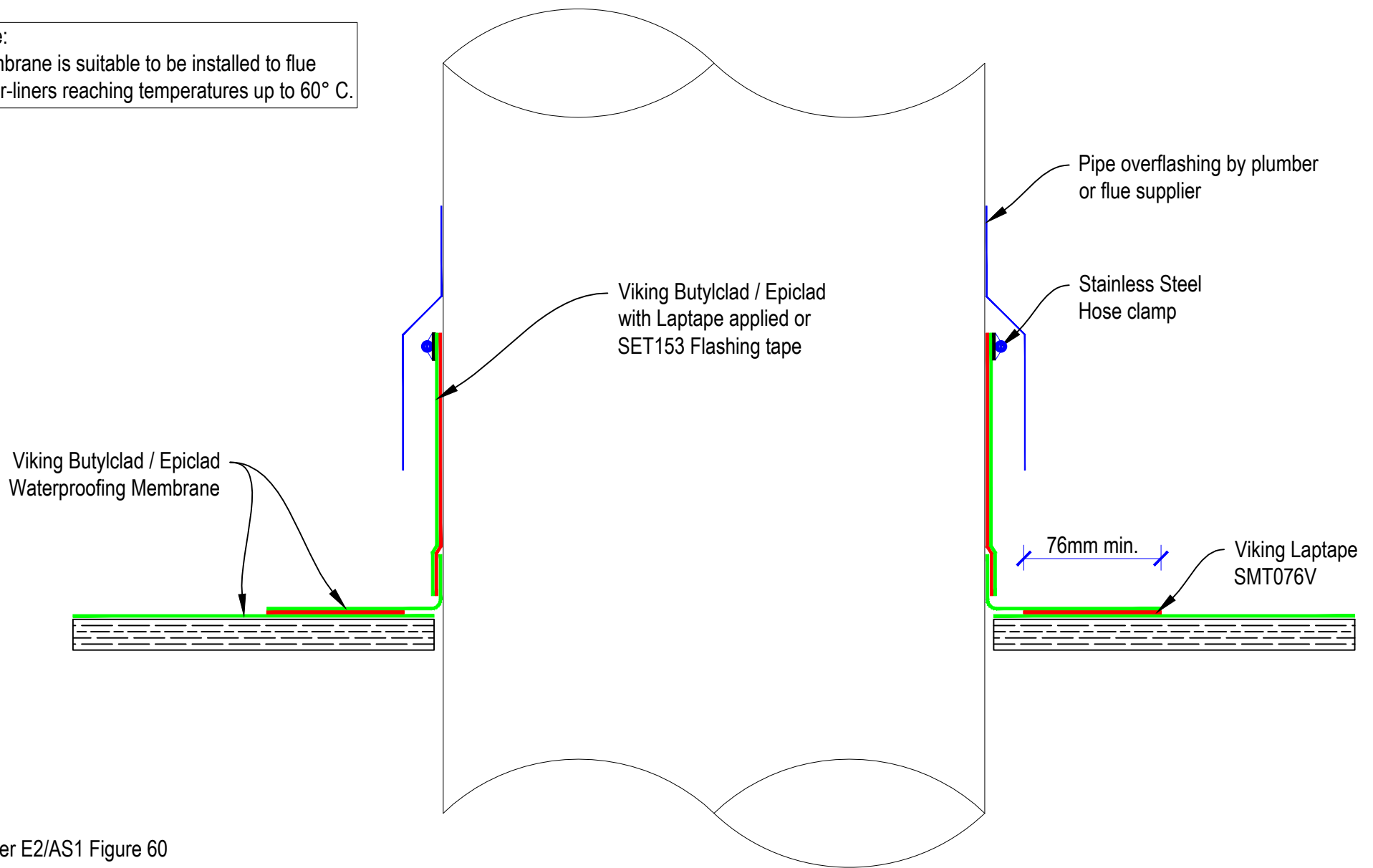


DRAWING TITLE	
BE21 Butylclad / Epiclad Pipe Penetration up to 150mm	

NOTES:
1/ Substrate Indicative Only 2/ All external corners / edges require 5mm min. radius

DRAWING STATUS		
INFORMATION ONLY		
Not to Scale	DATE 29/3/2016	Detail Ref.
DRAWN	Viking	BE21      A
SERIES	1.10	

Note:  
Membrane is suitable to be installed to flue  
outer-liners reaching temperatures up to 60° C.



Refer E2/AS1 Figure 60

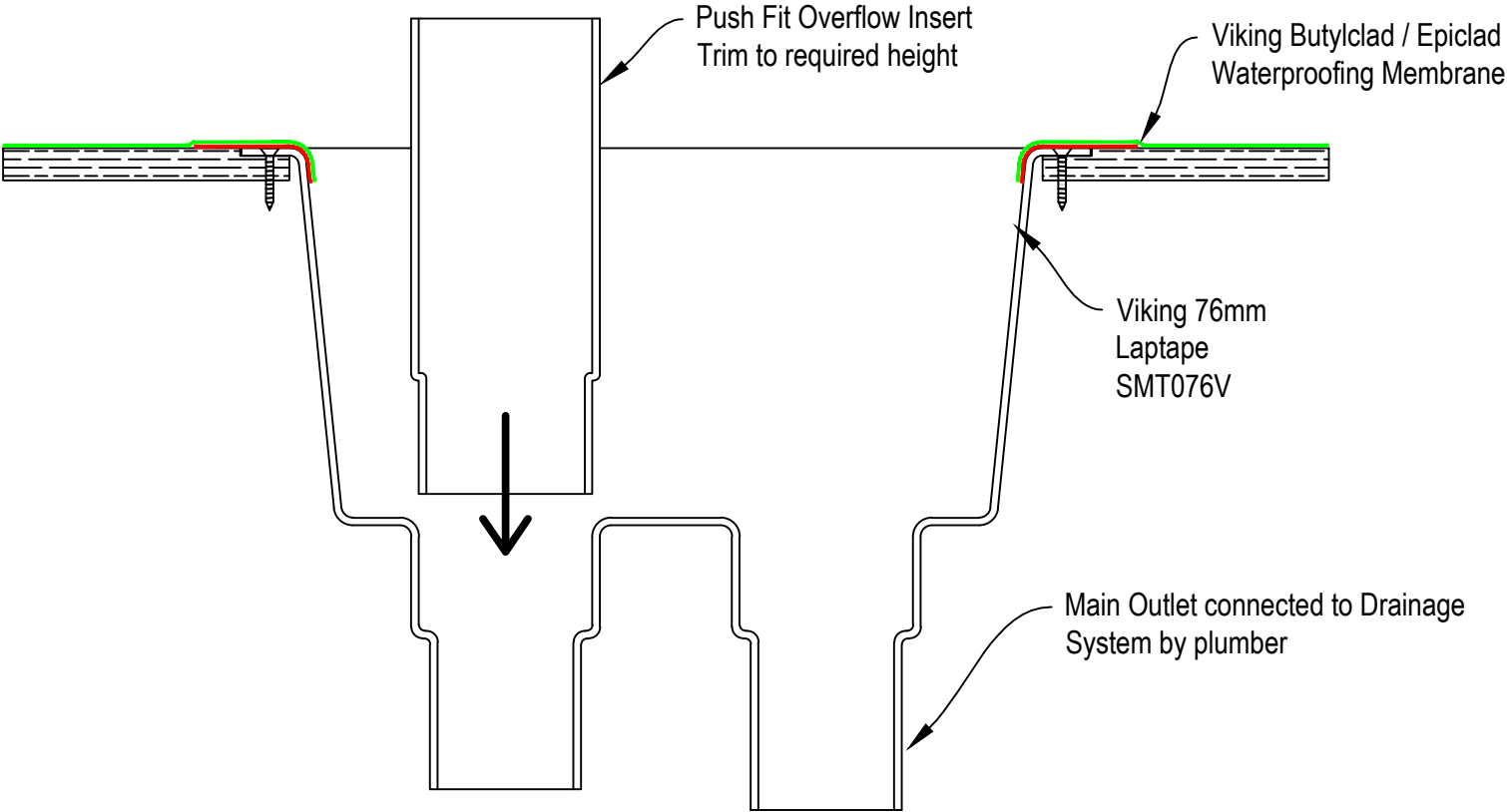


DRAWING TITLE
BE22 Butylclad / Epiclad Oversized Pipe or Flue Penetration

NOTES:
1/ Substrate Indicative Only 2/ All external corners / edges require 5mm min. radius

DRAWING STATUS		
INFORMATION ONLY		
Not to Scale	DATE 29/3/2016	Detail Ref.
DRAWN Viking		BE22      A
SERIES 1.10		

To install Overflow outlet, cut out the blind base and plumb independent of main storm-water.  
 Overflow should high-light blockage of the outlet.



DRAWING TITLE
BE23 Butylclad / Epiclad Sump Outlet with Overflow

NOTES:
1/ Substrate Indicative Only 2/ All external corners / edges require 5mm min. radius

DRAWING STATUS		
INFORMATION ONLY		
Not to Scale	DATE 29/3/2016	Detail Ref.
DRAWN	Viking	BE23      A
SERIES	1.10	

Although Viking Roofspec do not recommend fixing posts or plant through the top of Membrane roofs or decks if this is required then use of a plinth detail provides that fixings by other trades are kept off the main deck area.

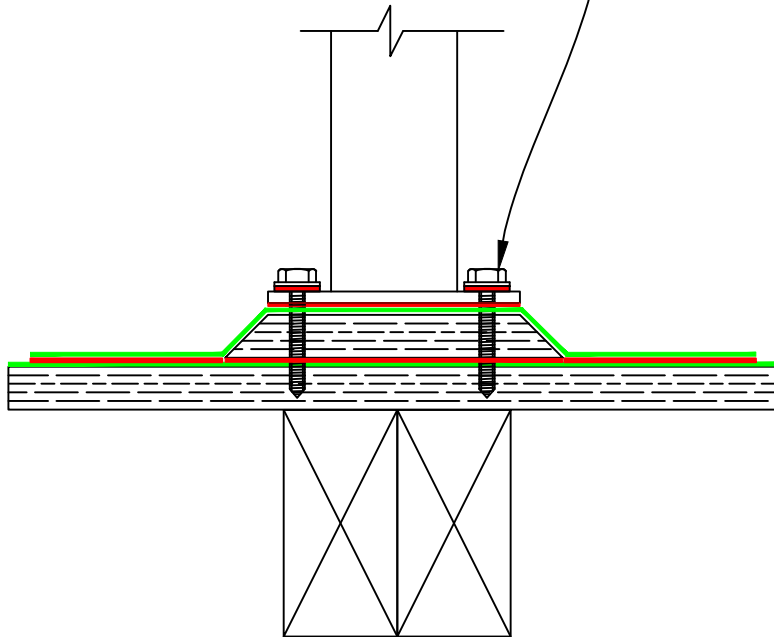
Viking Roofspec recommend that any fixing of plant is kept independent of the membrane roof ideally through vertical surfaces such as parapets. All fixings should be shrouded.

Note: Viking Roofspec or Viking Approved Applicators do not warranty fixings installed by other trades.

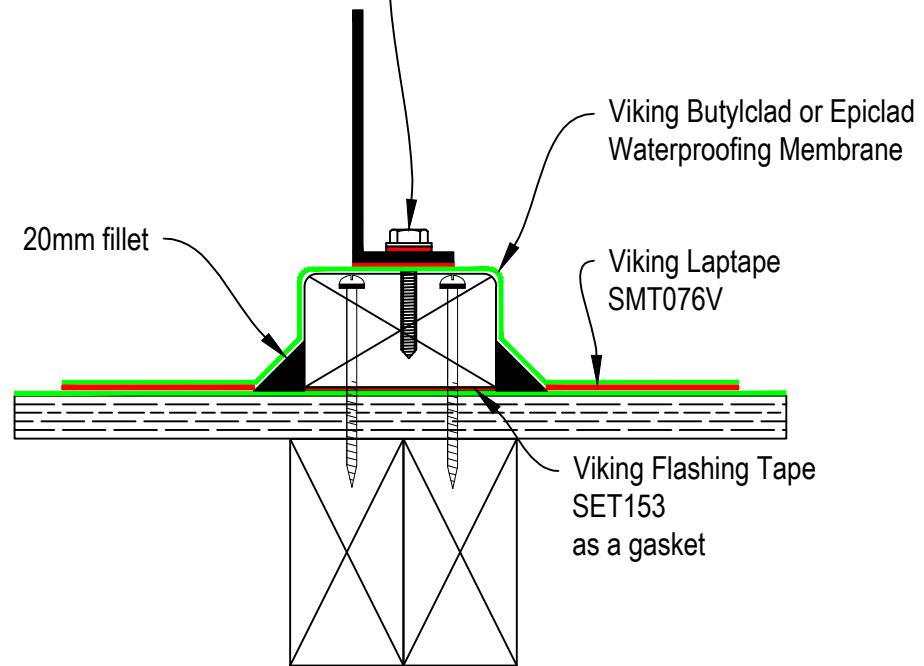
Contact Viking Technical to discuss options Ph.0800 729-799

Note: Bolts and fixings are indicative only

Bracket & Bolt must have compression washers both sides of post base. Installed by other trades.



Bracket & Bolt must have compression washers between both sides of bracket and fixing. Installed by other trades.

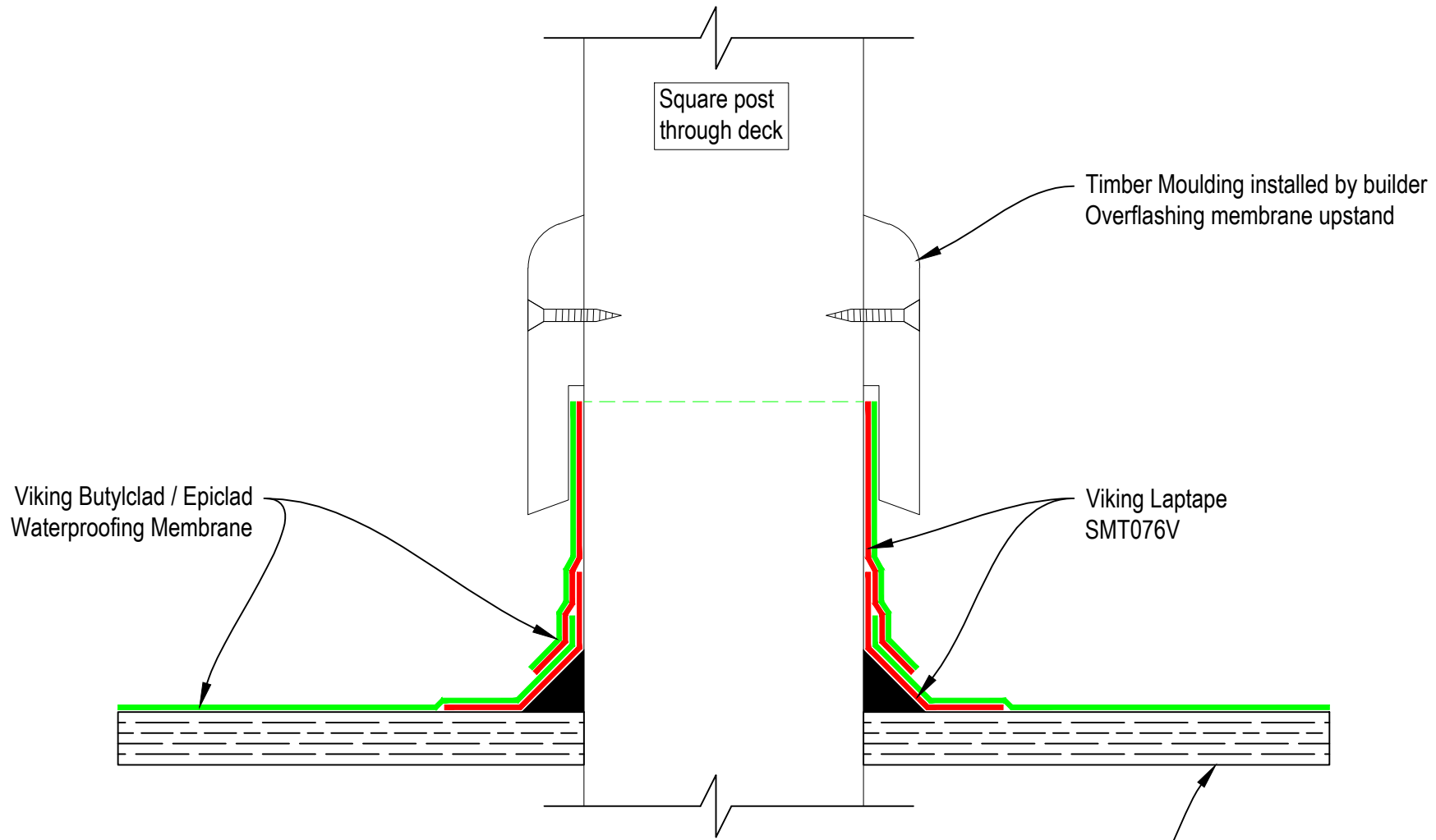


DRAWING TITLE  
BE24 Butylclad / Epiclad  
Plinth Details for fixing of mechanical plant

NOTES:  
1/ Substrate Indicative Only  
2/ All external corners / edges  
require 5mm min. radius

DRAWING STATUS			INFORMATION ONLY	
Not to Scale	DATE 29/3/2016	Detail Ref.		
DRAWN	Viking	BE24	A	
SERIES	1.10			





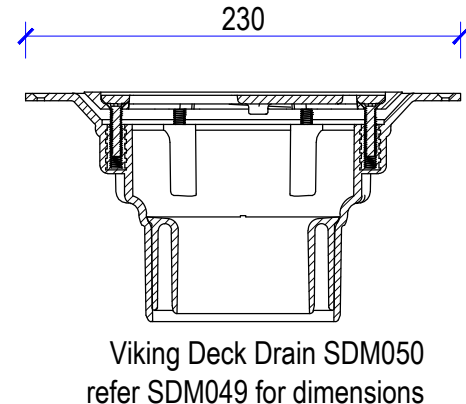
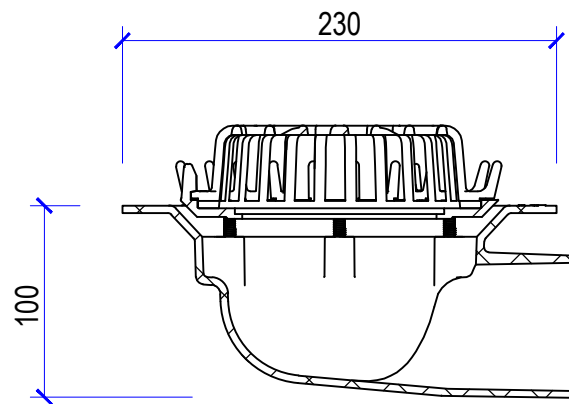
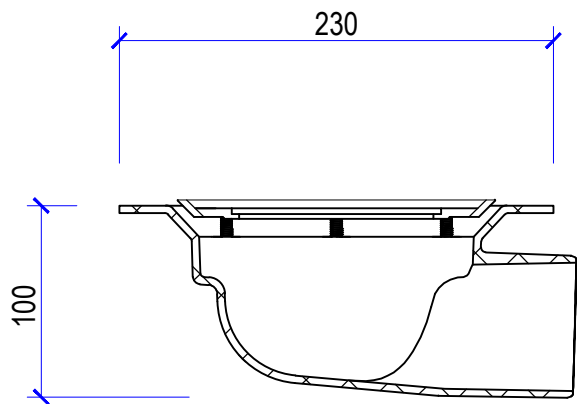
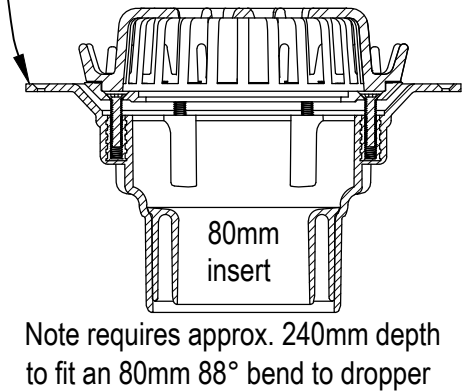
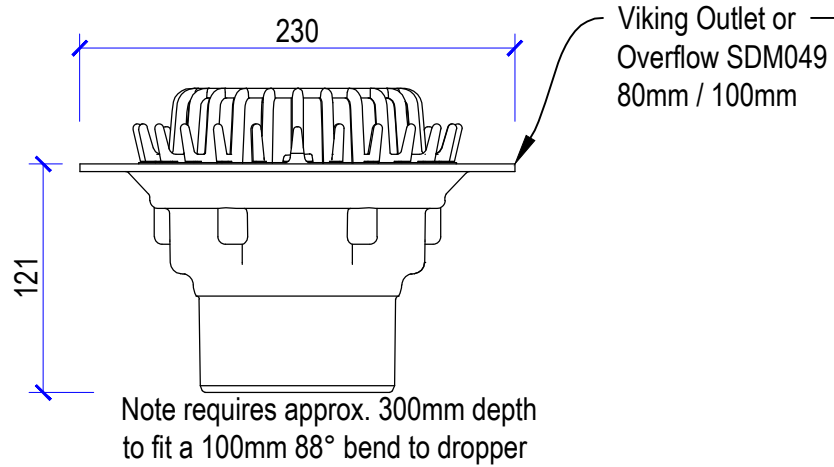
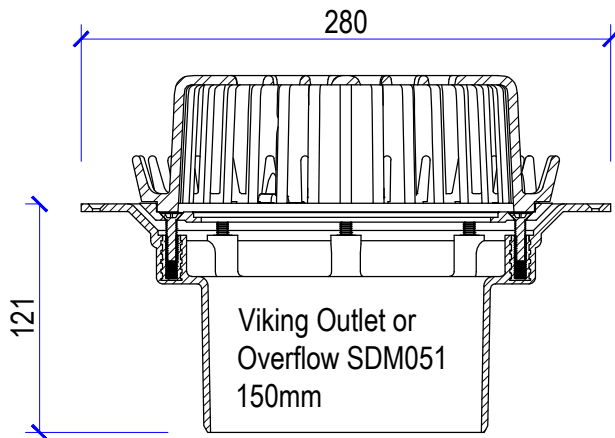
Substrate to comply with current Viking Roofspec Masterspec specification  
 Substrate Checksheet available from [www.vikingroofspec.co.nz](http://www.vikingroofspec.co.nz)



DRAWING TITLE
BE25 Butylclad / Epiclad Square Post

NOTES:
1/ Substrate Indicative Only 2/ All external corners / edges require 5mm min. radius

DRAWING STATUS		
INFORMATION ONLY		
Not to Scale	DATE 29/3/2016	Detail Ref.
DRAWN	Viking	BE25      A
SERIES	1.10	



80mm Side Exit Drain SDM056

80mm Side Exit Drain or Overflow SDM055

Viking Deck Drain SDM050 refer SDM049 for dimensions

Flowrates in Litres / Sec	
SDM051 150mm	= 7.6
SDM049 80mm/100mm	= 3.26/5.09
SDM050 80mm/100mm	= 3.26/5.09

Note: Metal components are 304 Grade Stainless Steel

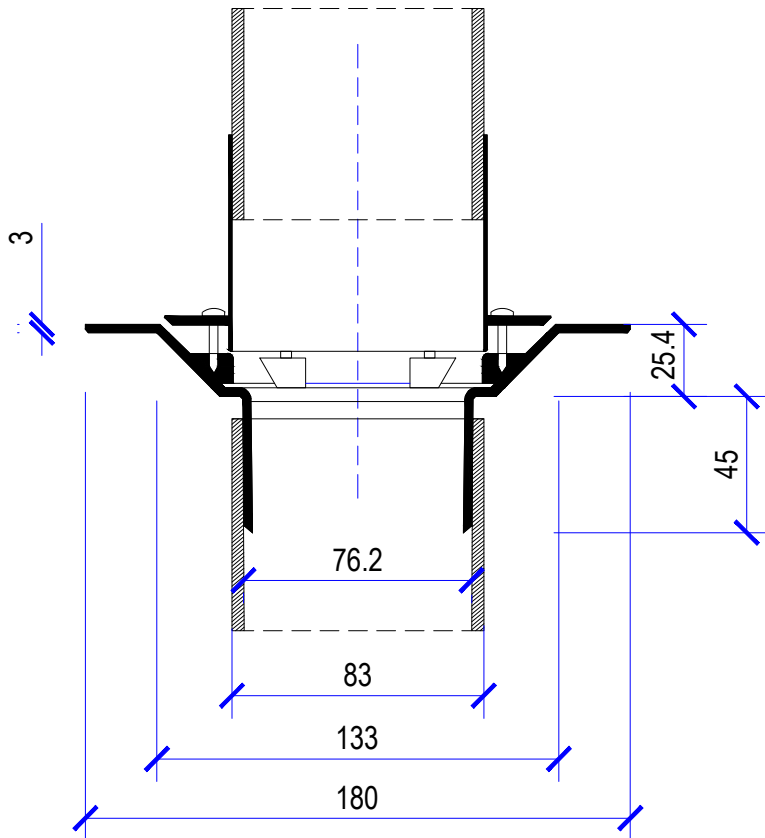


DRAWING TITLE
Viking Clamped Drains and Overflows Aquaknight

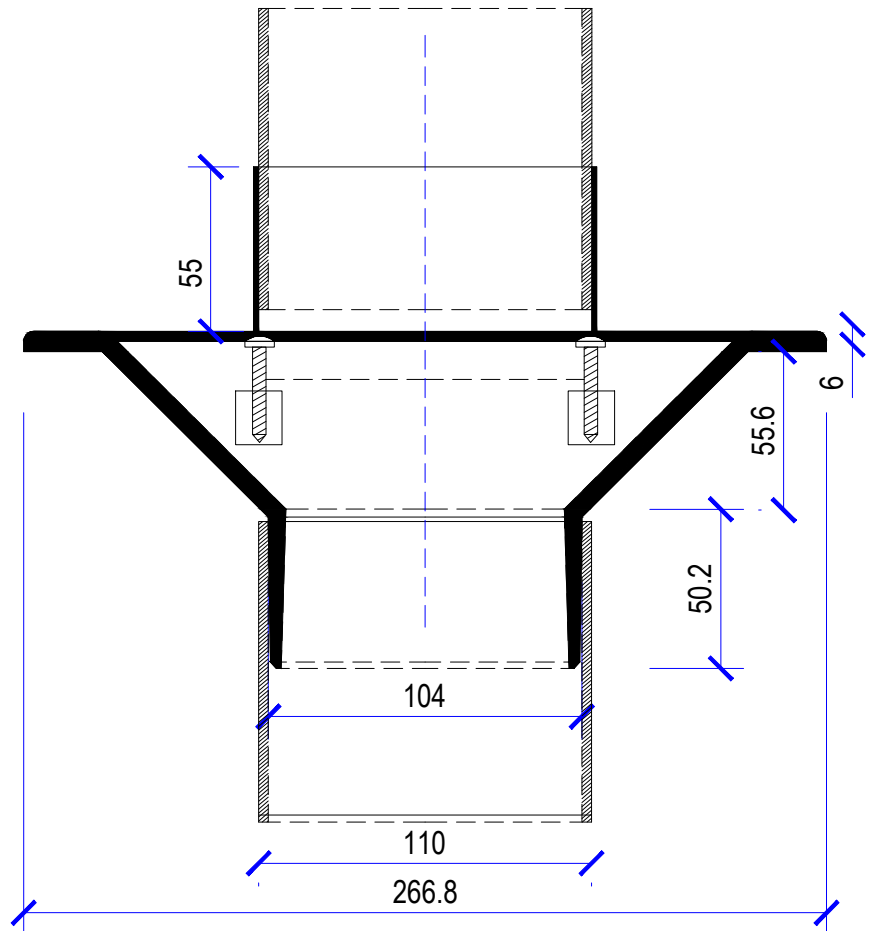
NOTES:
1/ Substrate Indicative Only
2/ No fillets required at upstands for Enviroclad

DRAWING STATUS		
INFORMATION ONLY		
Not to Scale	DATE 23/3/2016	Detail Ref.
DRAWN	Viking	Drainage A
SERIES	1.10	

SDM057  
80mm PVC Allthrough Deck Drain



SDM058  
100mm PVC Allthrough Deck Drain



DRAWING TITLE	NOTES:
Viking Drainage Allproof Allthrough Balcony Drains 80mm and 100mm	

DRAWING STATUS		
INFORMATION ONLY		
Not to Scale	DATE 25/10/2016	Detail Ref.
DRAWN	Viking	Drainage A
SERIES	1.10	